



US00D927665S

(12) **United States Design Patent** (10) **Patent No.:** **US D927,665 S**
Jeon et al. (45) **Date of Patent:** **** Aug. 10, 2021**

(54) **AIR CLEANER HOLDER**

(56) **References Cited**

(71) Applicant: **LG ELECTRONICS INC.**, Seoul (KR)

U.S. PATENT DOCUMENTS

(72) Inventors: **Jongkeon Jeon**, Seoul (KR); **Jiyoung Kang**, Seoul (KR); **Hojung Kim**, Seoul (KR)

6,808,547	B2 *	10/2004	Ota	B01D 46/0006
					55/478
7,643,734	B2 *	1/2010	Wefler	A61L 9/037
					392/395
8,983,279	B2 *	3/2015	Adair	A61L 9/02
					392/395
D806,843	S *	1/2018	McDonnell	D23/355
D843,553	S *	3/2019	Kim	D23/355
10,859,290	B2 *	12/2020	Herweck	F24F 7/007
10,864,469	B2 *	12/2020	Campbell	B01D 46/525
2020/0298160	A1 *	9/2020	Jeon	F24F 13/28
2020/0298167	A1 *	9/2020	Jeon	H02J 50/10

(73) Assignee: **LG ELECTRONICS INC.**, Seoul (KR)

(**) Term: **15 Years**

* cited by examiner

(21) Appl. No.: **35/508,587**

(22) Filed: **Aug. 12, 2019**

Primary Examiner — Darlington Ly

(80) **Hague Agreement Data**

Int. Filing Date: **Aug. 12, 2019**

Int. Reg. No.: **DM/205390**

Int. Reg. Date: **Aug. 12, 2019**

Int. Reg. Pub. Date: **Feb. 14, 2020**

(74) *Attorney, Agent, or Firm* — Birch, Stewart, Kolasch & Birch LLP

(57) **CLAIM**

The ornamental design for an air cleaner holder, as shown and described.

DESCRIPTION

(30) **Foreign Application Priority Data**

Feb. 20, 2019 (KR) 30-2019-0007543

(51) **LOC (13) Cl.** **23-04**

(52) **U.S. Cl.**
USPC **D23/355**

(58) **Field of Classification Search**
USPC D8/71; D23/355, 356, 359, 364, 366, D23/370, 386

CPC B01D 46/00; B01D 46/0002; B01D 46/0013; B01D 46/4227; B01D 46/4245; A61L 9/00

See application file for complete search history.

1. Air cleaner holder

1.1 is a perspective view of an air cleaner holder embodying our new design;

1.2 is a front elevation view thereof;

1.3 is a rear elevation view thereof;

1.4 is a left side elevation view thereof;

1.5 is a right side elevation view thereof;

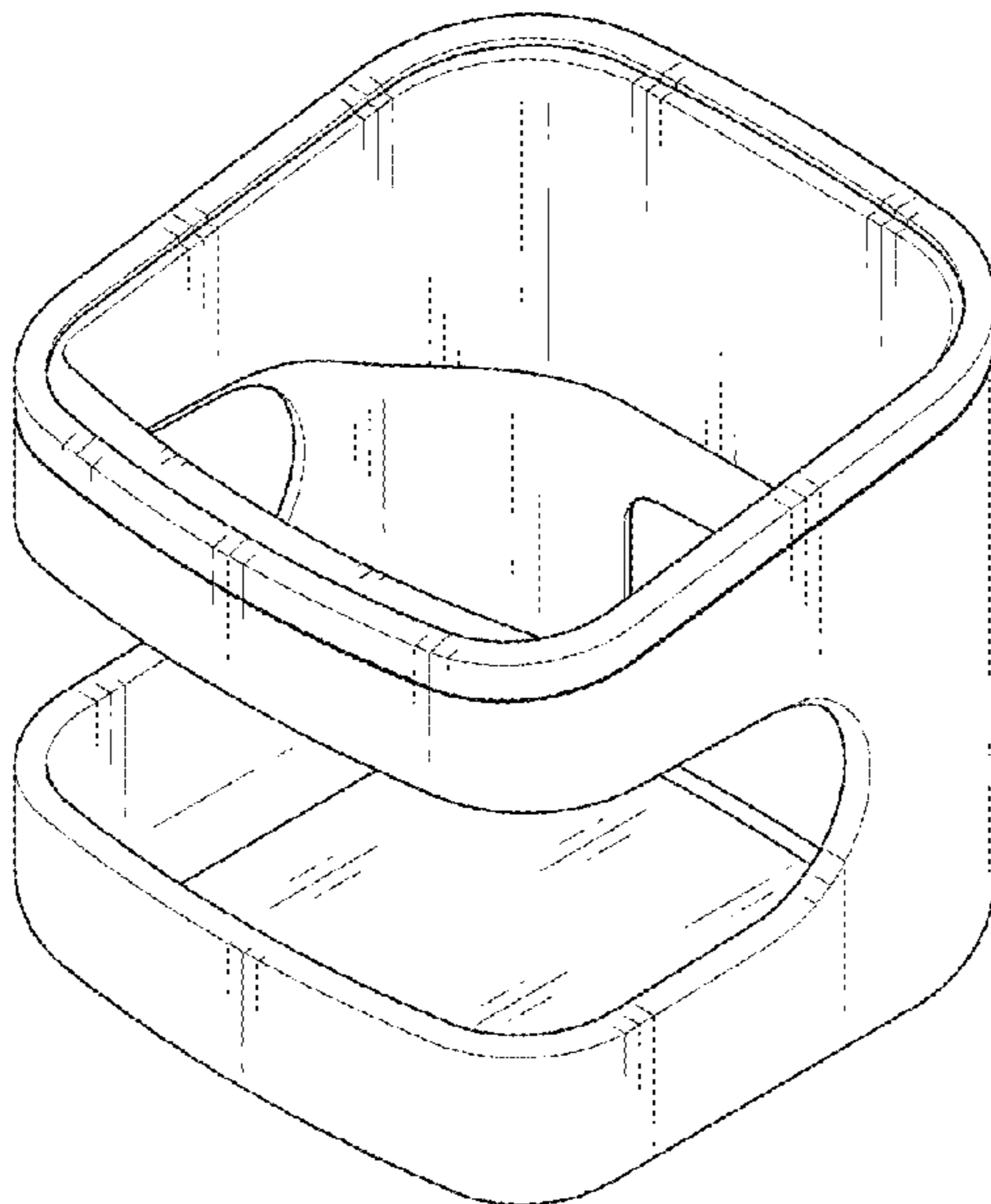
1.6 is a top plan view thereof;

1.7 is a bottom plan view thereof; and

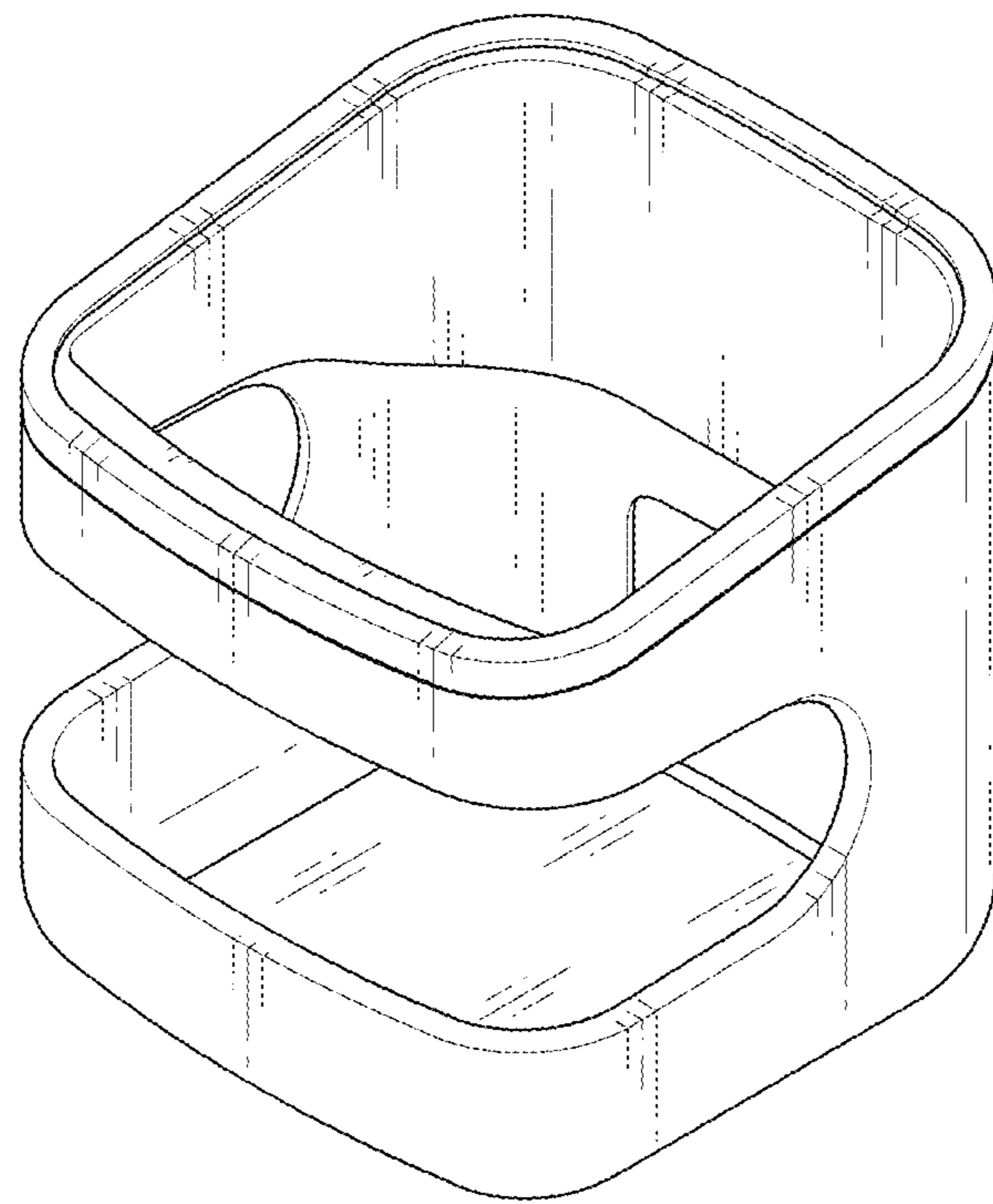
1.8 is a perspective view thereof in combination with a cup holder base and air cleaner.

The broken line showings of the cup holder base and an air cleaner are provided for the purposes of illustrating environmental structures and form no part of the claimed design.

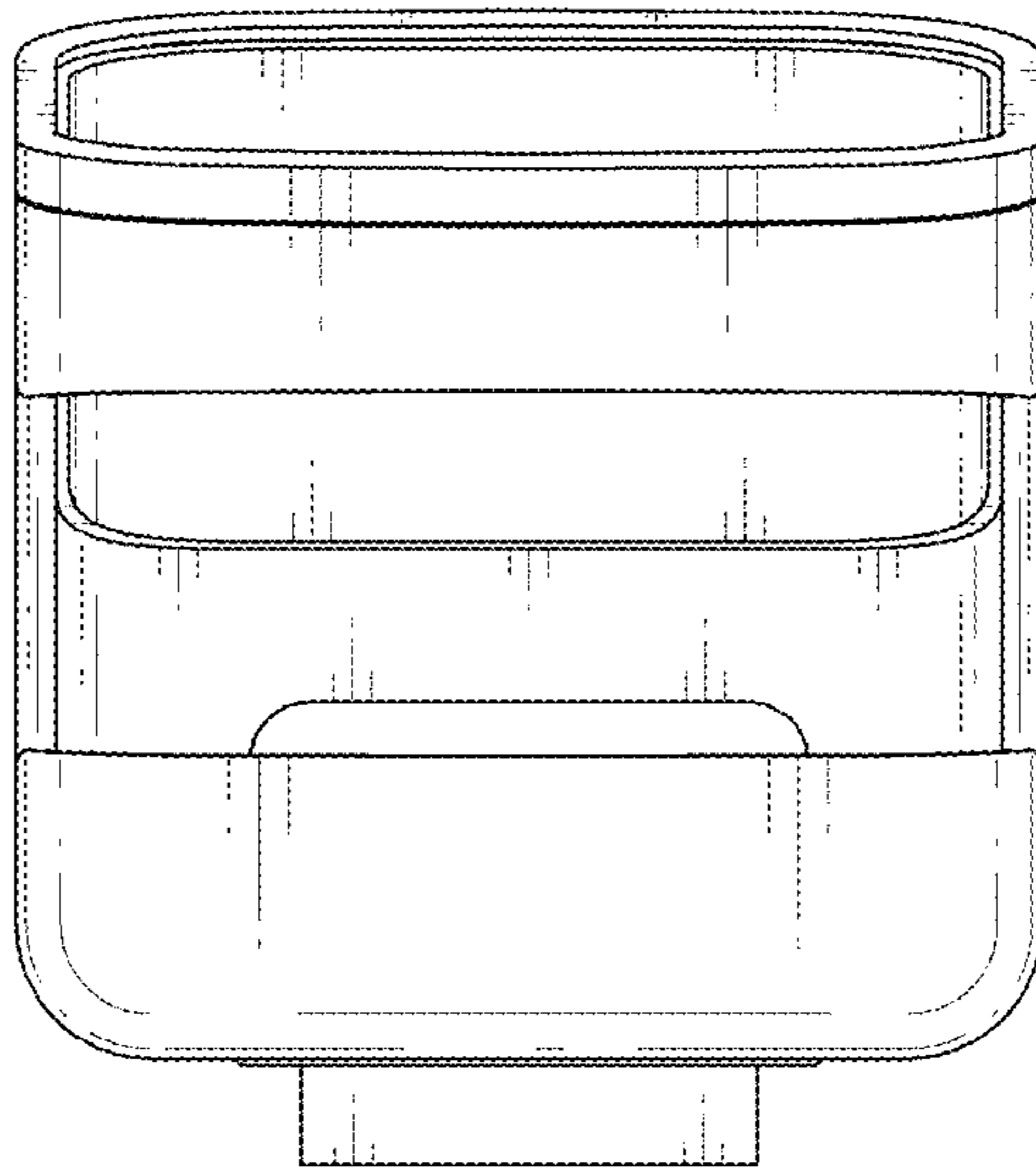
1 Claim, 8 Drawing Sheets



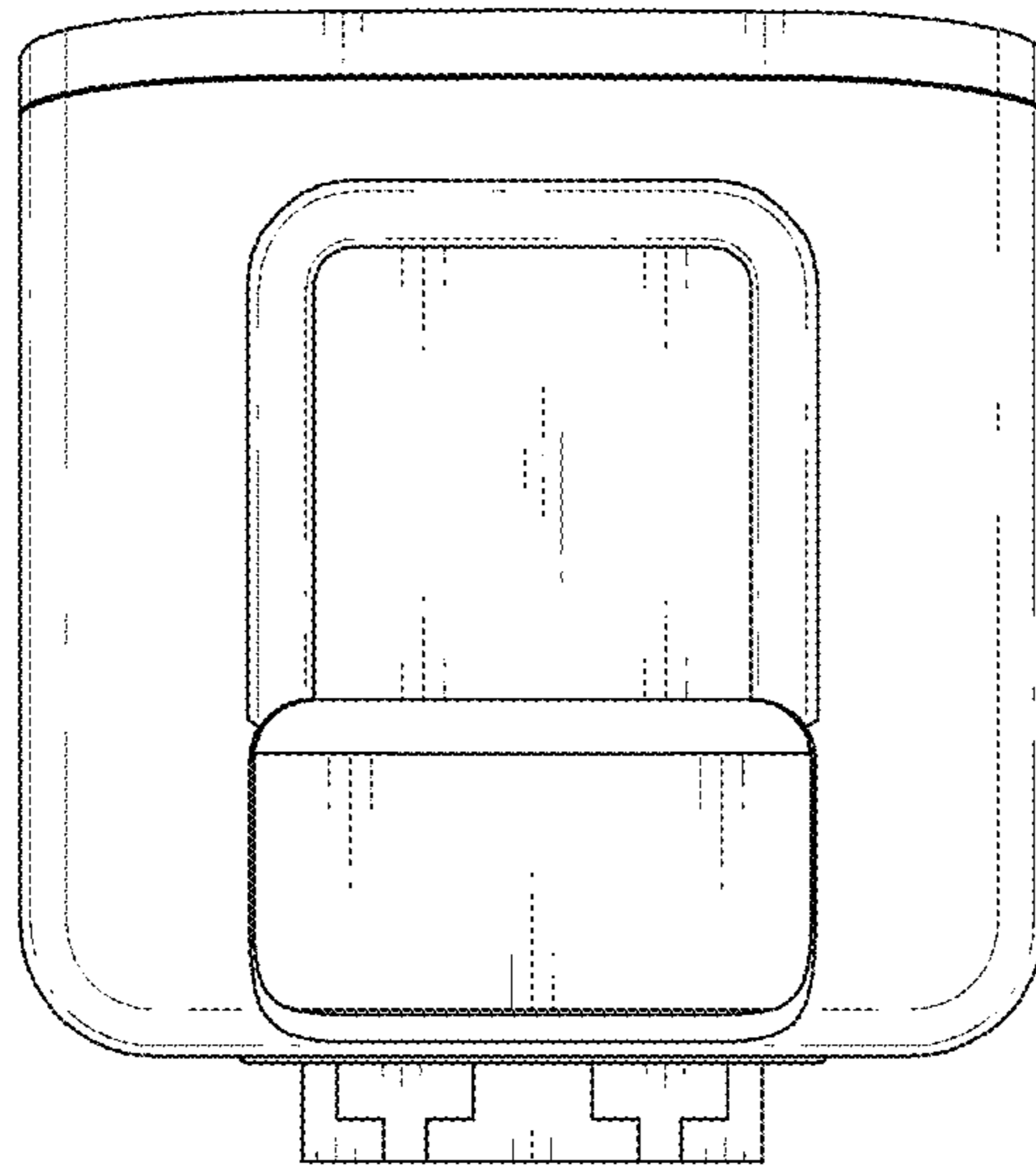
1.1



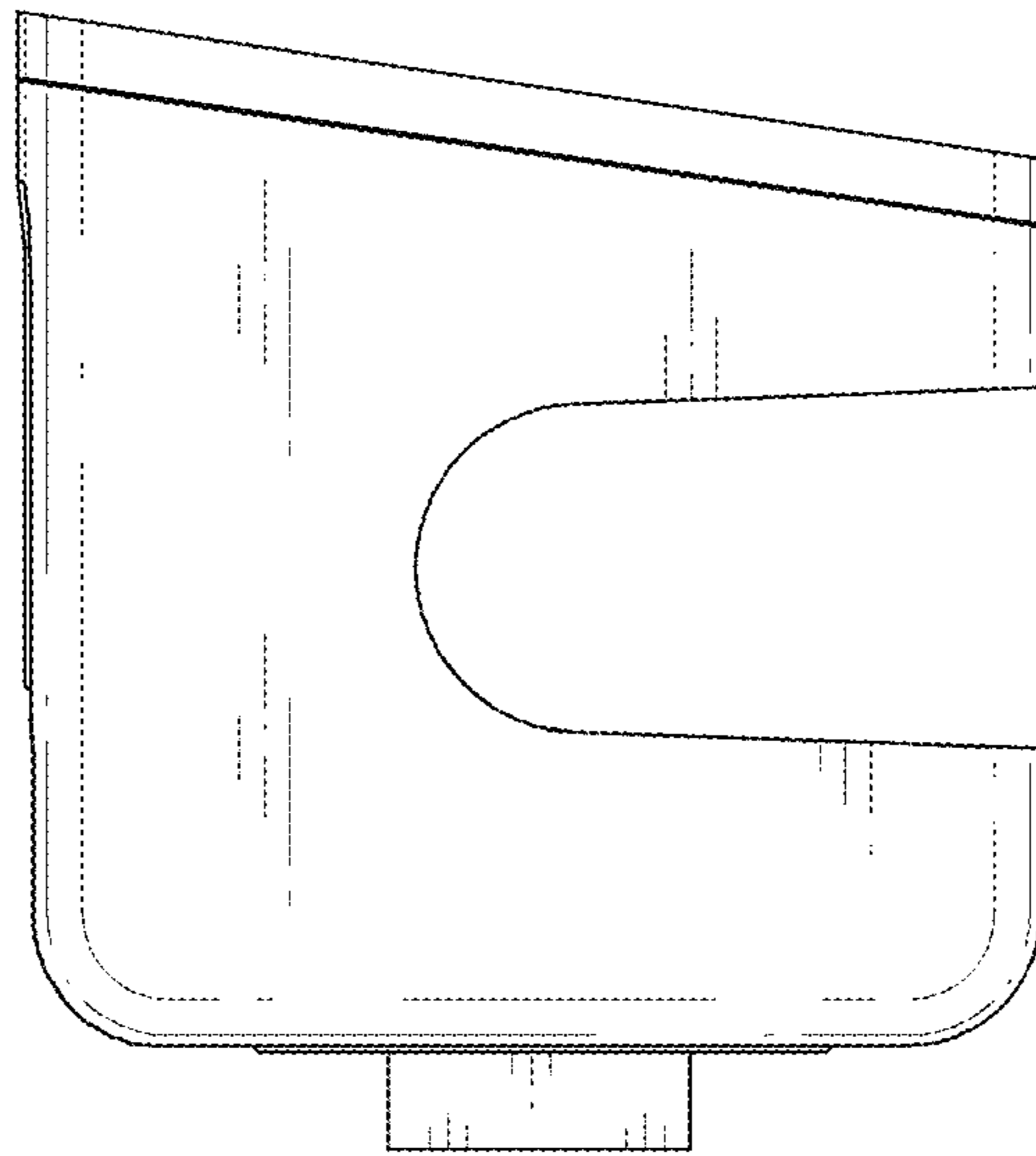
1.2



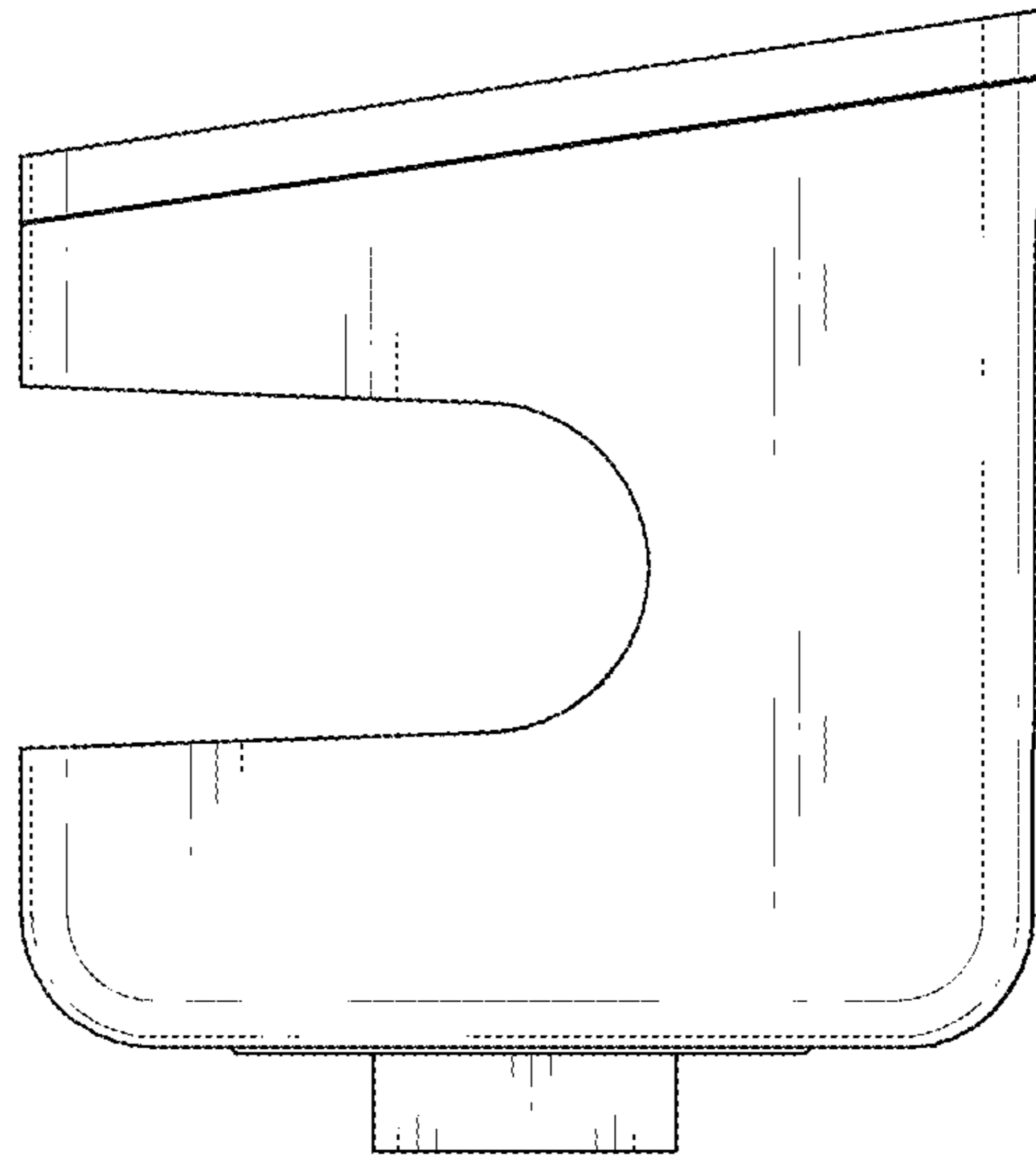
1.3



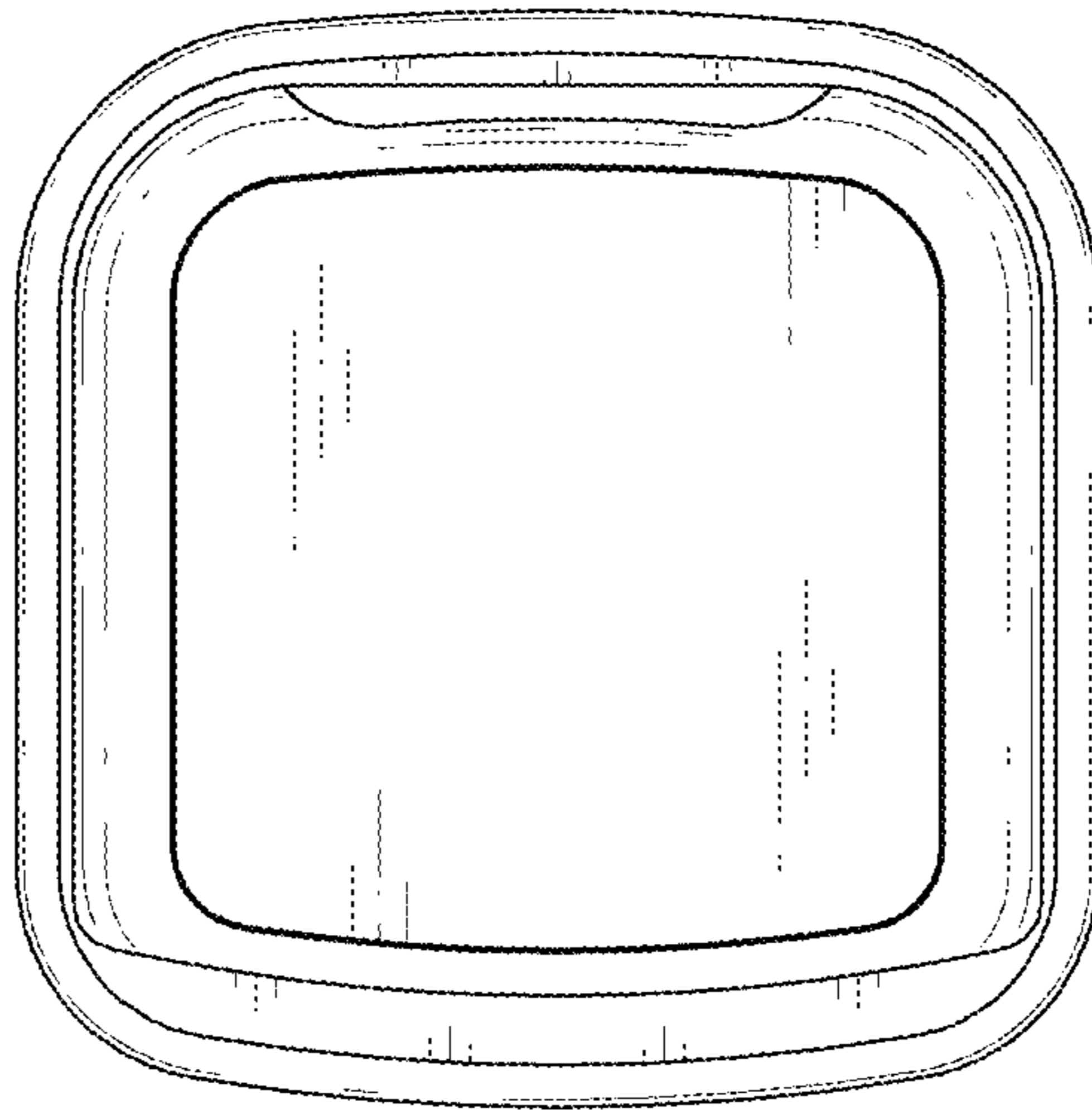
1.4



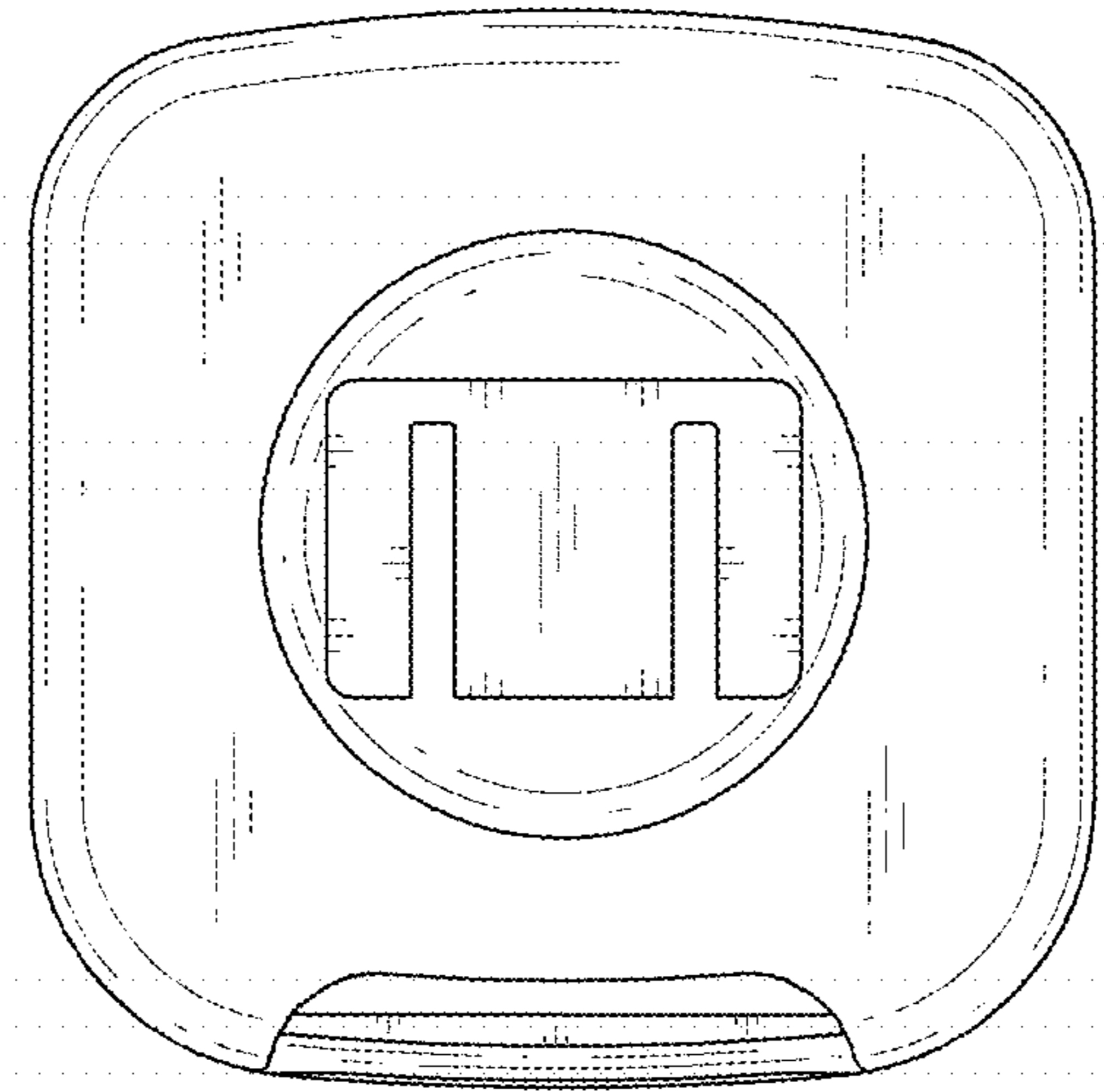
1.5



1.6



1.7



1.8

