



US00D927664S

(12) **United States Design Patent** (10) **Patent No.:** **US D927,664 S**  
**Martin, Sr.** (45) **Date of Patent:** **\*\* Aug. 10, 2021**

(54) **AIR HANDLER**  
(71) Applicant: **Lendell Martin, Sr.**, Cypress, TX (US)  
(72) Inventor: **Lendell Martin, Sr.**, Cypress, TX (US)  
(\*\*) Term: **15 Years**  
(21) Appl. No.: **29/651,734**  
(22) Filed: **Feb. 13, 2019**  
(51) **LOC (13) Cl.** ..... **23-04**  
(52) **U.S. Cl.**  
USPC ..... **D23/354**  
(58) **Field of Classification Search**  
USPC ..... D23/333, 351-354, 388  
CPC .... F24F 1/00; F24F 1/0007; F24F 1/02; F24F  
1/08; F24F 1/42; F24F 1/56; F24F 1/60;  
F24F 3/044; F24F 3/048; F24F 3/16;  
G05D 23/1905; G05D 23/1932; G05D  
23/1902; G05D 23/1931; G05B 19/0426;  
G05B 19/409; G05B 15/02  
See application file for complete search history.

5,143,178 A 9/1992 Latham, Jr.  
5,203,400 A 4/1993 Tsunekawa et al.  
5,207,074 A 5/1993 Cox et al.  
5,284,027 A 2/1994 Martin  
D357,309 S 4/1995 Norris  
5,501,269 A 3/1996 Jenkins  
5,613,554 A 3/1997 Bull et al.  
5,664,431 A 9/1997 Martin  
5,699,854 A 12/1997 Hong  
5,791,156 A 8/1998 Strautman et al.  
5,927,096 A 7/1999 Piccione  
5,961,093 A 10/1999 Jones et al.  
5,987,909 A 11/1999 Martin  
6,050,539 A 4/2000 Millen  
6,138,993 A 10/2000 Mitchell, Jr. et al.  
D434,480 S 11/2000 Caronna et al.  
6,276,443 B1 8/2001 Martin  
D453,822 S \* 2/2002 Meeks ..... D23/356

(Continued)

**OTHER PUBLICATIONS**

AB Series Air Handling Units Installation Guide: Allstyle Coil Company LP: 1 page: 2017.

*Primary Examiner* — Natasha Vujcic  
(74) *Attorney, Agent, or Firm* — Guy McClung

(56) **References Cited**  
U.S. PATENT DOCUMENTS

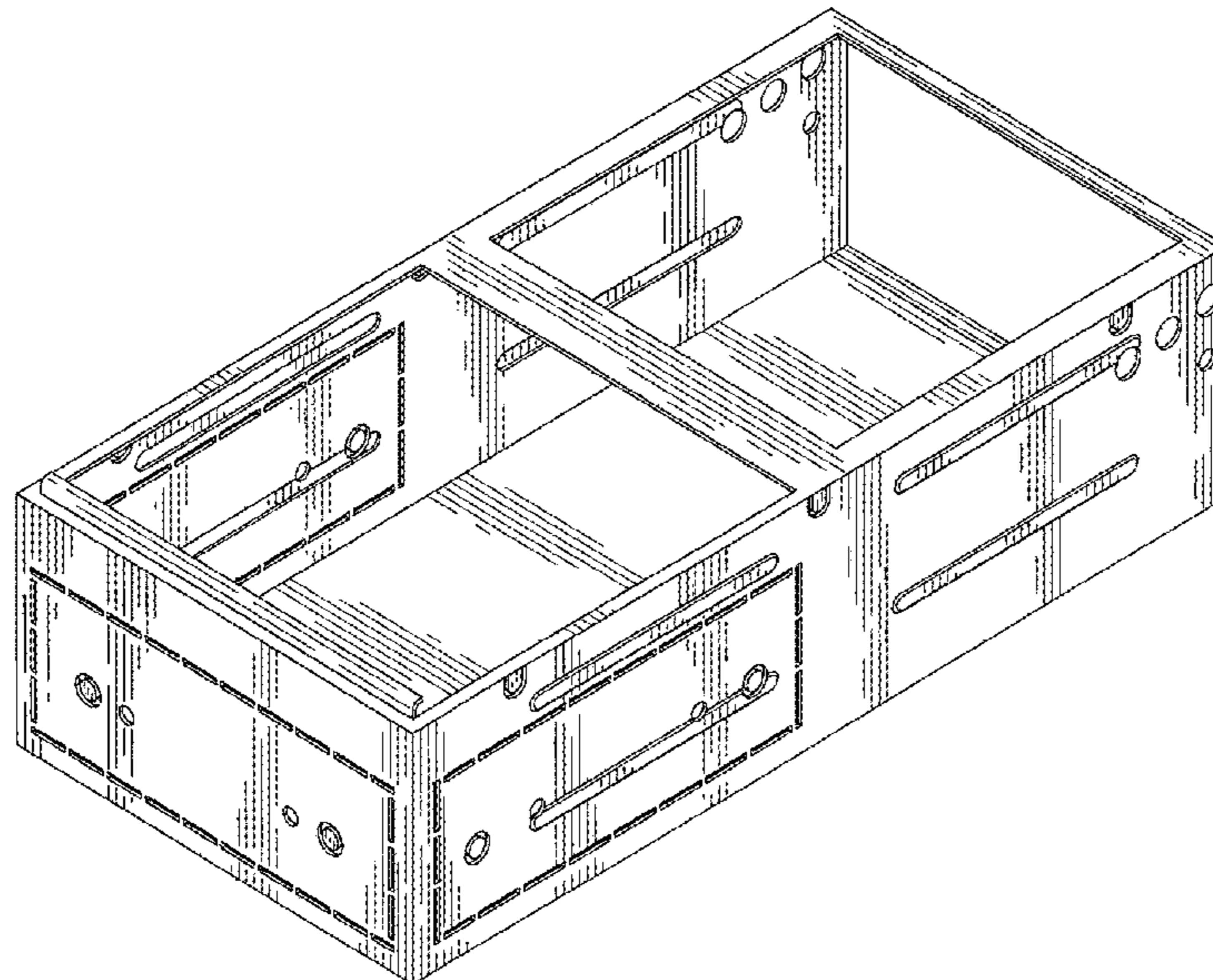
3,020,820 A 2/1962 Hopkinson et al.  
3,174,541 A 3/1965 Brandt et al.  
3,372,870 A 3/1968 Norris et al.  
3,583,175 A 6/1971 Eubank  
3,716,097 A 2/1973 Kelp et al.  
3,722,845 A 3/1973 Unger  
4,129,013 A 12/1978 Hine, Jr.  
4,321,803 A 3/1982 Smith  
4,337,823 A 7/1982 DelPercio  
4,474,232 A 10/1984 Wright et al.  
4,665,806 A 5/1987 Martin  
4,698,982 A 10/1987 Laios et al.  
4,748,827 A 6/1988 Chang  
5,062,280 A 11/1991 Martin  
5,097,678 A 3/1992 Aubuchon  
5,121,613 A 6/1992 Cox et al.

(57) **CLAIM**  
The ornamental design for air handler, as shown and described.

**DESCRIPTION**

FIG. 1 is a perspective view of an air handler showing my new design.  
FIG. 2 is a front view thereof;  
FIG. 3 is a rear view thereof;  
FIG. 4 is a right side view thereof;  
FIG. 5 is a left side view thereof;  
FIG. 6 is a top view thereof; and,  
FIG. 7 is a bottom view thereof.

**1 Claim, 7 Drawing Sheets**



(56)

**References Cited**

U.S. PATENT DOCUMENTS

6,378,326	B2	4/2002	Matambo	
6,457,653	B1	10/2002	Campbell	
6,519,966	B1	2/2003	Martin	
D534,260	S	12/2006	David et al.	
D534,635	S	1/2007	David et al.	
D557,384	S	12/2007	Martin	
D557,395	S	12/2007	Martin	
7,757,510	B2	7/2010	Rosete et al.	
D653,064	S *	1/2012	Lutt .....	D6/513
D683,002	S	5/2013	Martin	
D704,812	S *	5/2014	Benjamin, Sr. ....	D23/354
D736,363	S *	8/2015	Pereira .....	D23/354
D741,463	S *	10/2015	Hauville .....	D23/355
9,303,882	B2	4/2016	Hancock	
D786,413	S	5/2017	Martin, Sr.	
D815,267	S *	4/2018	Stanton .....	D23/354
D815,268	S *	4/2018	Mackey .....	D23/354
10,066,843	B2	9/2018	Hancock	
D890,894	S *	7/2020	Wang .....	D23/351
D895,542	S *	9/2020	Bell .....	D13/108
D898,884	S *	10/2020	Price .....	D23/329
2002/0139518	A1	10/2002	Lee et al.	
2005/0039479	A1	2/2005	Kim	
2005/0204767	A1	9/2005	Norrell et al.	
2007/0051864	A1	3/2007	Bartell et al.	
2009/0038328	A1	2/2009	Piccione	

\* cited by examiner

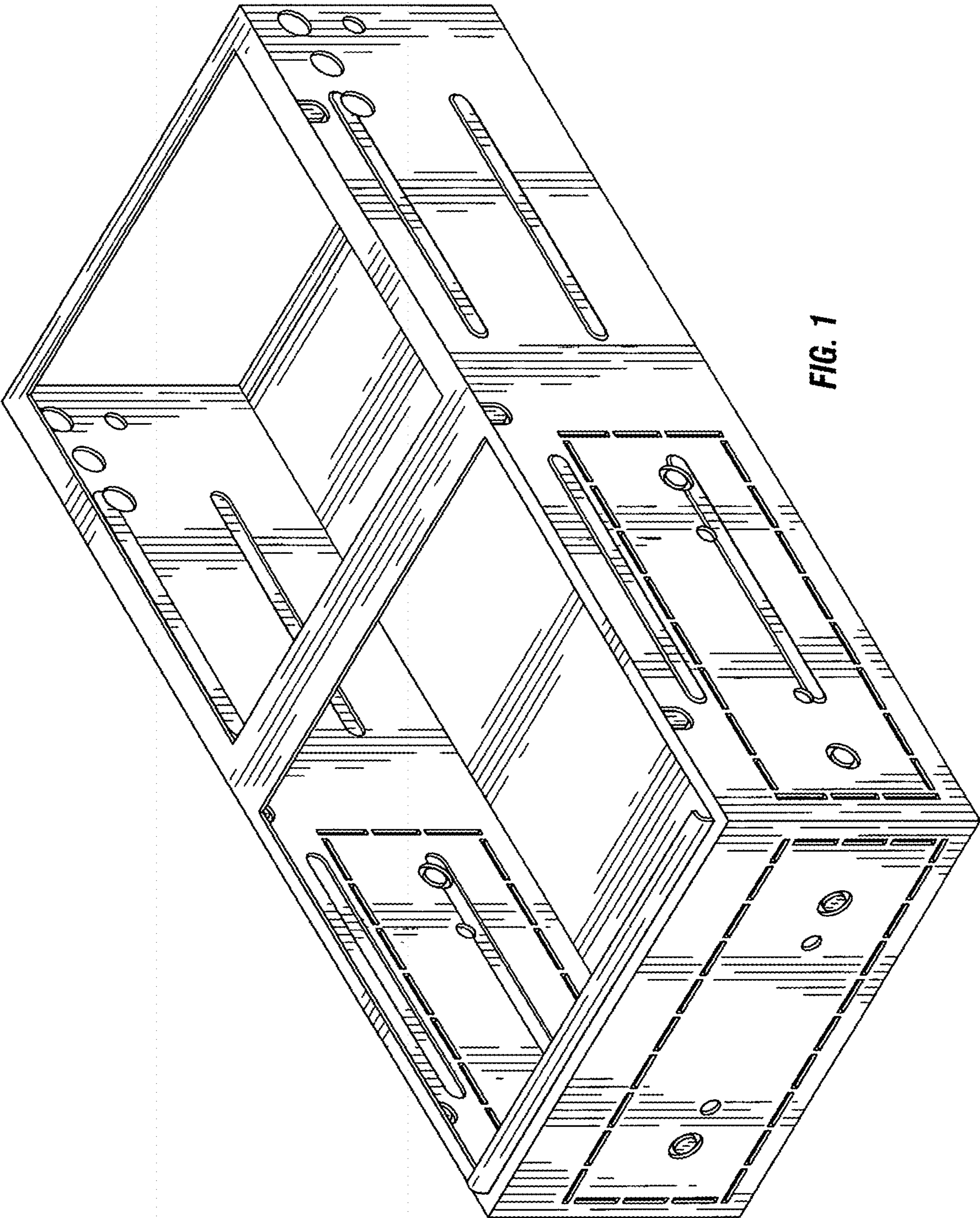
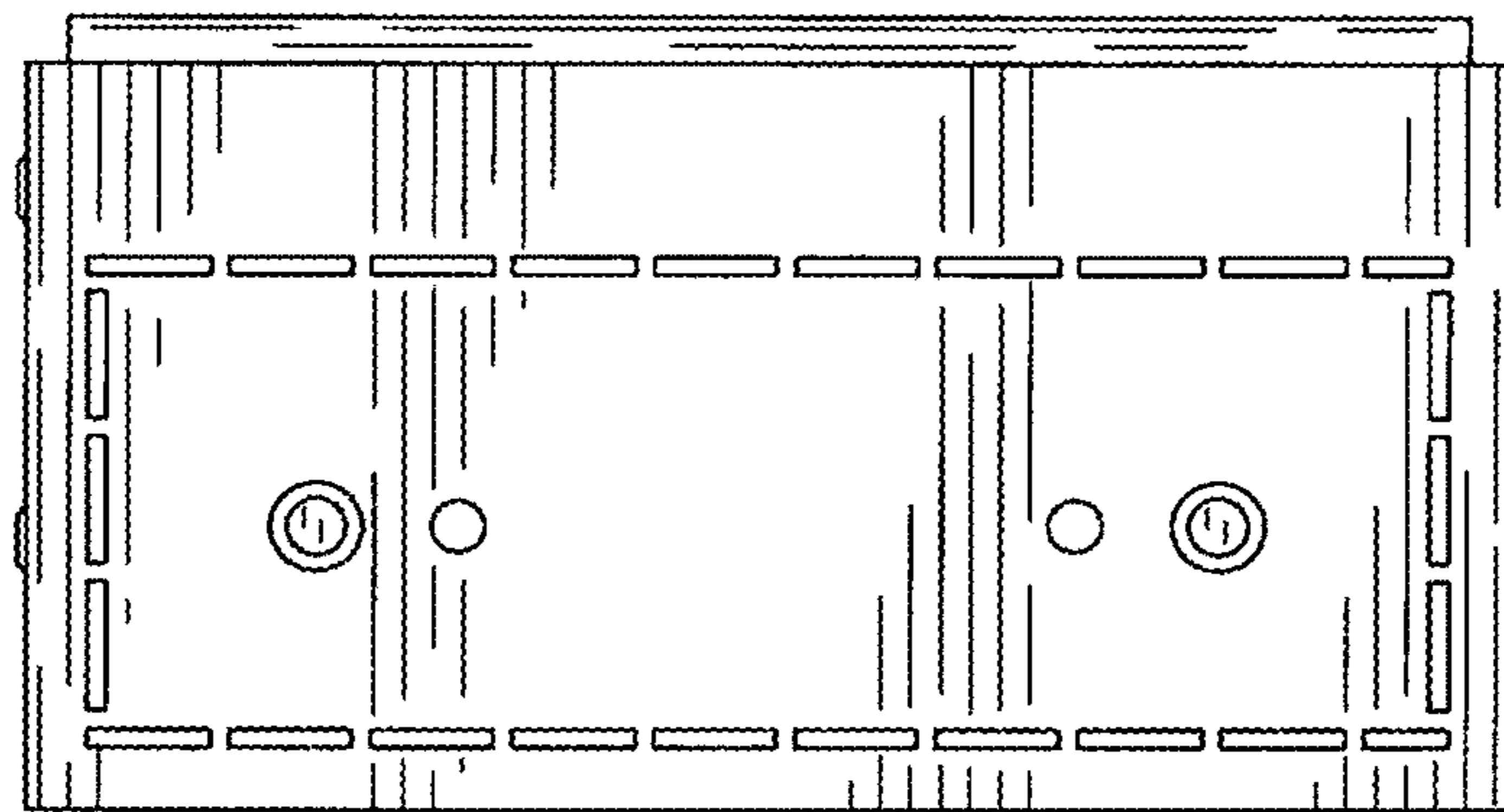
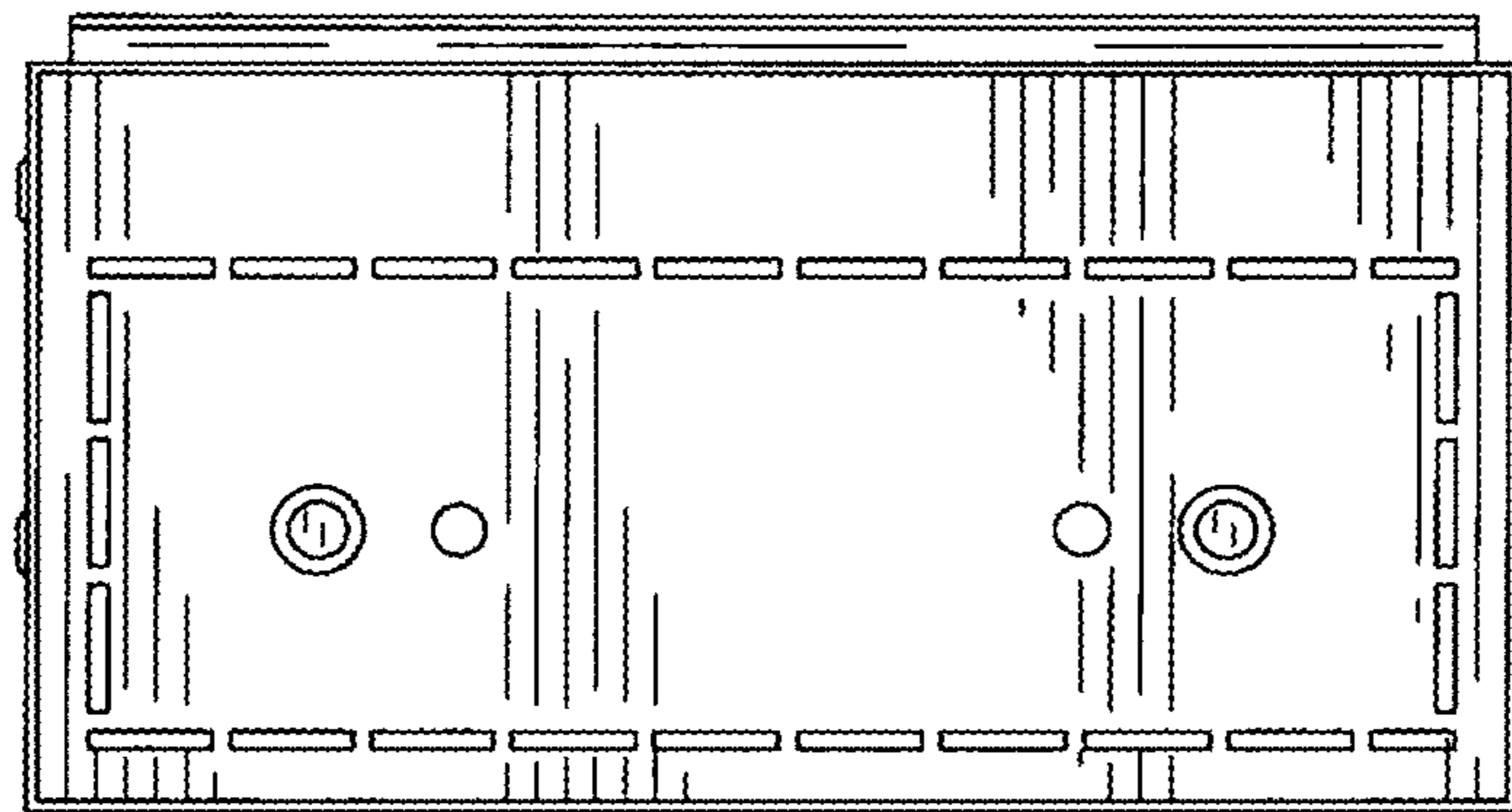


FIG. 1



**FIG. 2**



**FIG. 3**

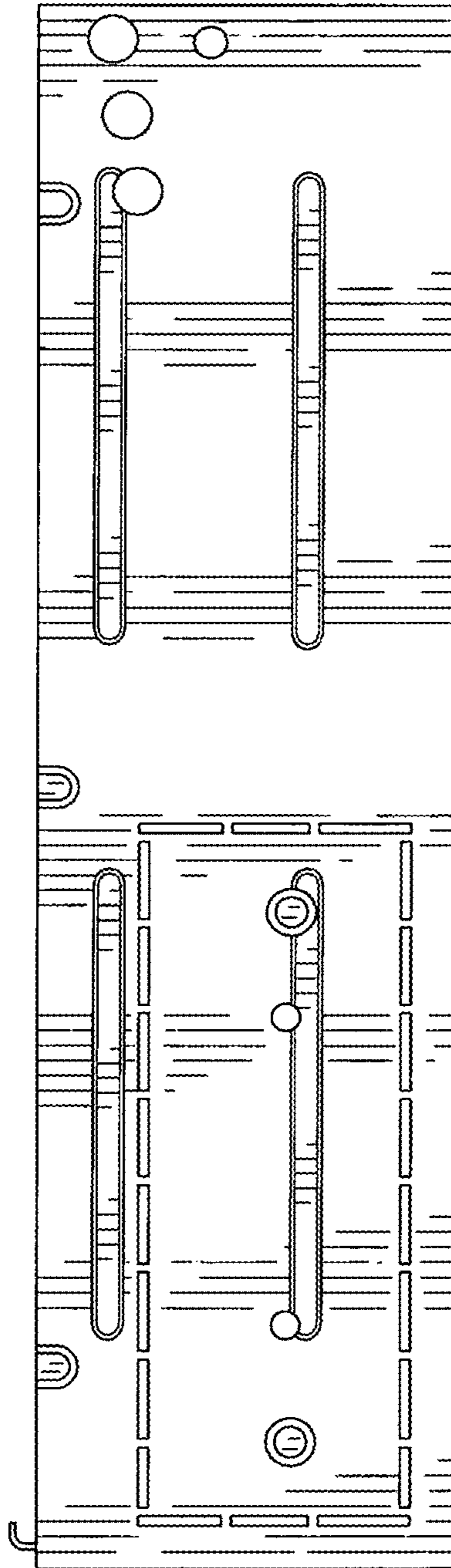


FIG. 4

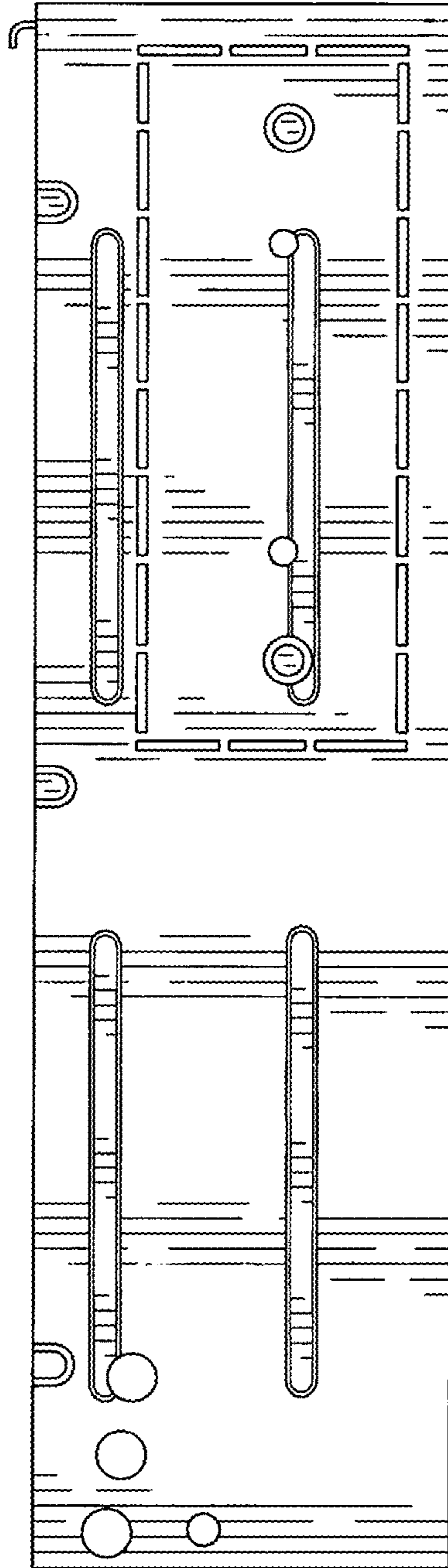


FIG. 5



**FIG. 6**



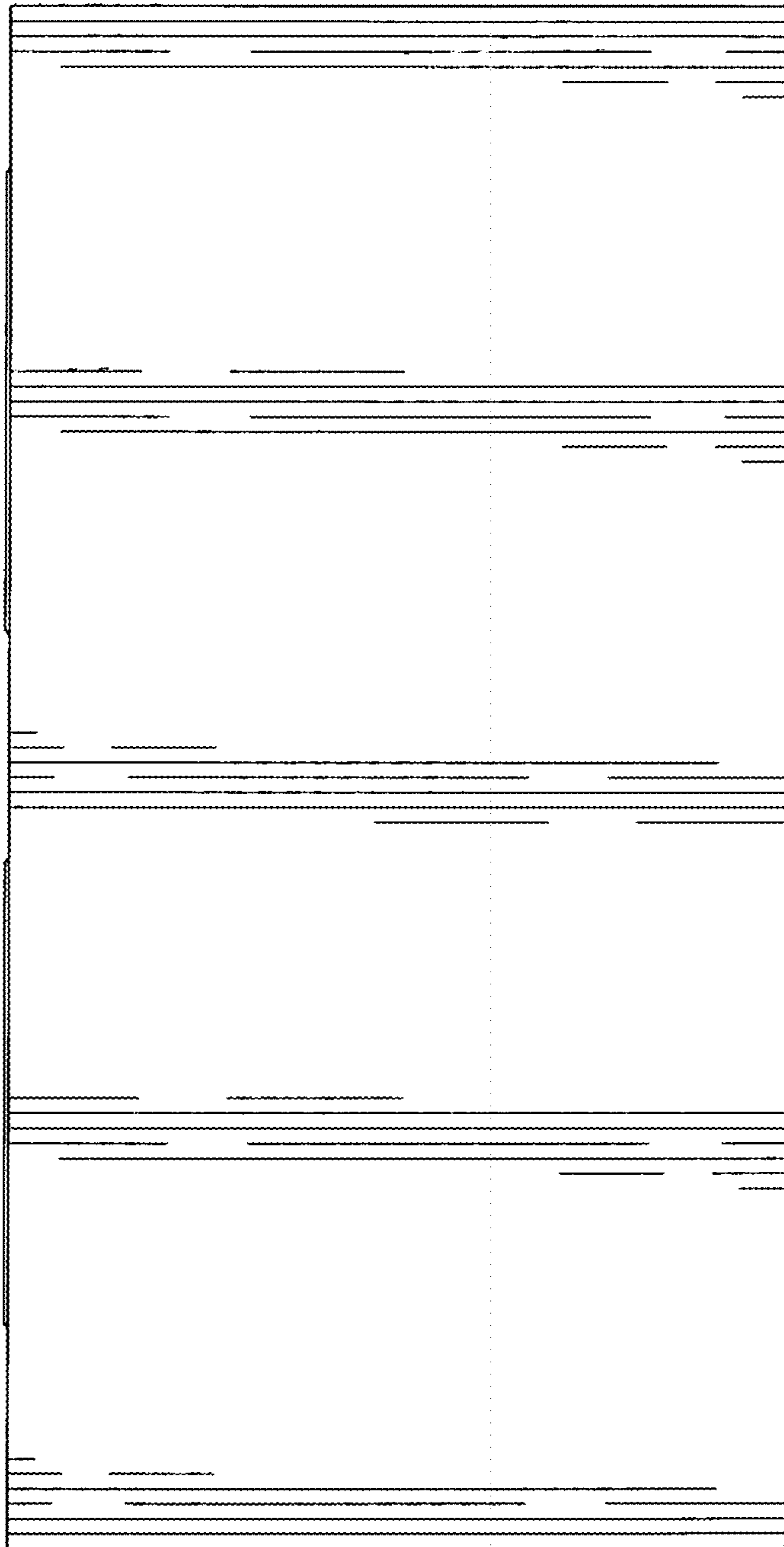


FIG. 7