



US00D927661S

(12) **United States Design Patent**  
**Ediger et al.**

(10) **Patent No.:** **US D927,661 S**

(45) **Date of Patent:** **\*\* Aug. 10, 2021**

(54) **HEATER**

(71) Applicant: **Vornado Air LLC**, Andover, KS (US)

(72) Inventors: **Glen Ediger**, North Newton, KS (US);  
**Gary Israel**, Andover, KS (US);  
**Gregory Pease**, Andover, KS (US);  
**Brian Cartwright**, Wichita, KS (US);  
**Timothy Holub**, Cheney, KS (US);  
**Cooper Phillips**, Wichita, KS (US)

(73) Assignee: **Vornado Air, LLC**, Andover, KS (US)

(\*\*) Term: **15 Years**

(21) Appl. No.: **29/689,387**

(22) Filed: **Apr. 29, 2019**

(51) **LOC (13) Cl.** ..... **23-03**

(52) **U.S. Cl.**  
USPC ..... **D23/335**

(58) **Field of Classification Search**  
USPC ..... D23/314, 317, 318, 319, 320, 321, 322,  
D23/323, 329, 330, 331, 332, 334, 335,  
D23/333, 336, 337, 338, 339, 340, 341,  
D23/342, 370, 378, 411, 412, 356, 358,  
D23/359, 363, 328.351, 369, 351  
CPC ..... F24H 3/00; F24H 3/0411; F24H 3/0417;  
F24H 9/0063; F24H 9/0073; F24H 9/02;  
F24H 3/082; F24H 9/2071; F24H 3/002;  
F24H 3/02; F24H 3/04; F04D 17/04;  
F04D 25/08; F04D 25/10; F04D 5/00;  
H05B 3/008

See application file for complete search history.

(56) **References Cited**

U.S. PATENT DOCUMENTS

D543,611 S	*	5/2007	Tateishi	.....	D23/335
D841,140 S	*	2/2019	Chen	.....	D23/336
D850,592 S	*	6/2019	Jacobs	.....	D23/317
D853,545 S	*	7/2019	Zhong	.....	D23/364
D862,673 S	*	10/2019	Tang	.....	D23/364
D877,875 S	*	3/2020	Shin	.....	D23/364

\* cited by examiner

*Primary Examiner* — Ania Aman

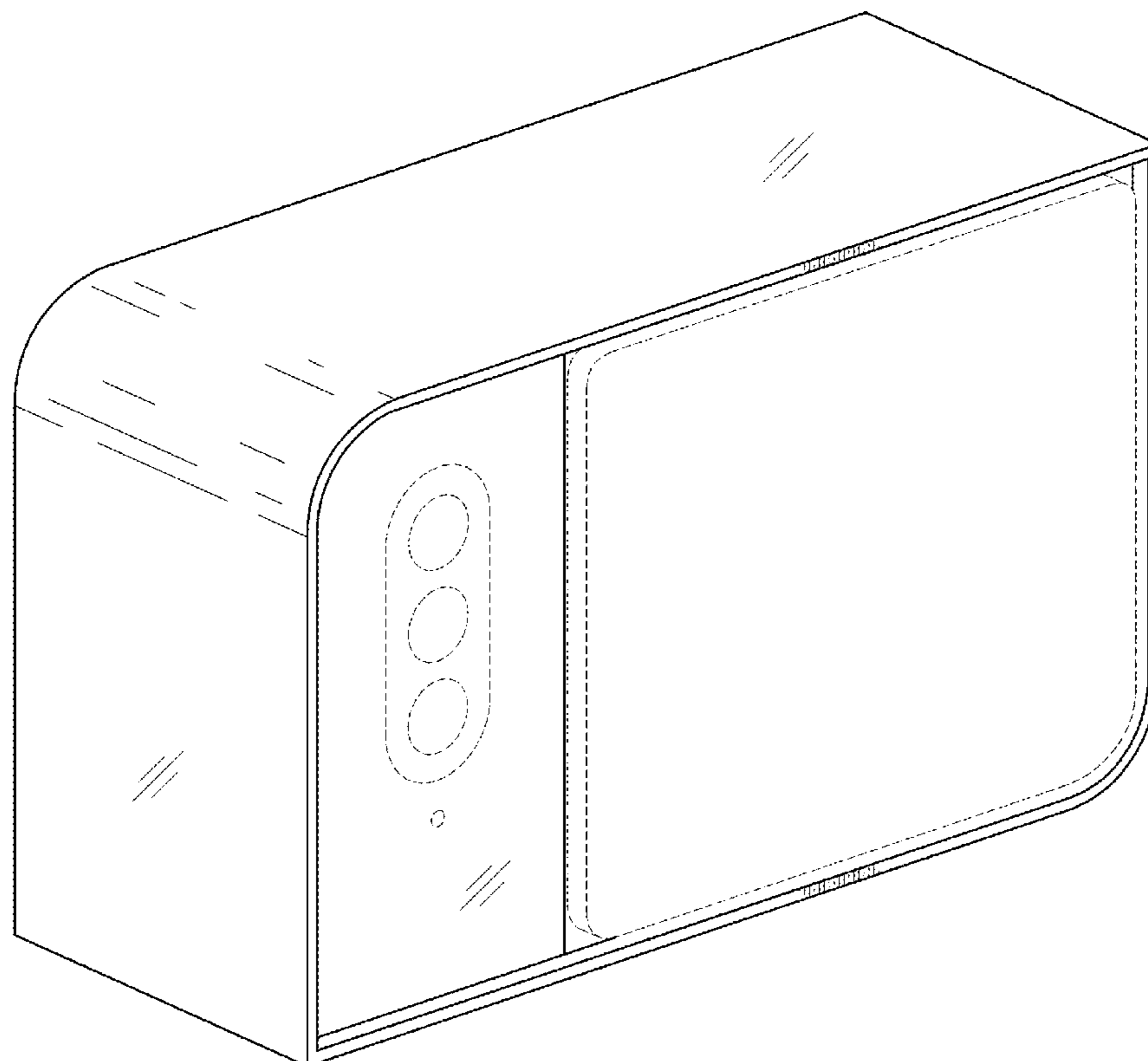
(57) **CLAIM**

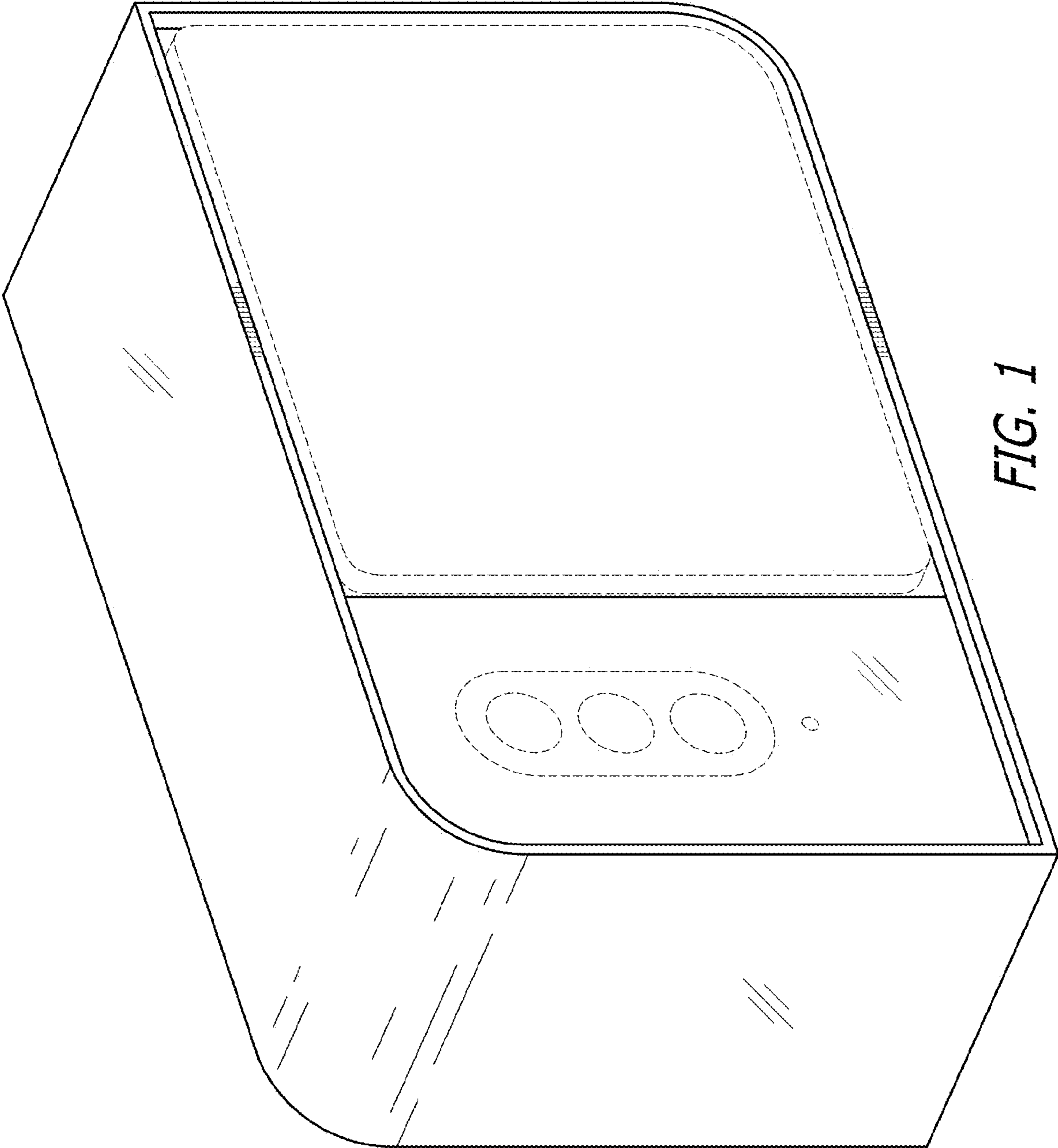
The ornamental design for a heater, as shown and described.

**DESCRIPTION**

FIG. 1 is a right, front, top perspective view of a heater in accordance with the present invention; FIG. 2 is an elevation view of the front thereof; FIG. 3 is an elevation view of the rear thereof; FIG. 4 is an elevation view of the right side thereof; FIG. 5 is an elevation view of the left side thereof; FIG. 6 is a top plan view thereof; and, FIG. 7 is a bottom plan view thereof. The broken lines shown in the drawings are for purposes of illustrating portions of the article and form no part of the claimed design.

**1 Claim, 6 Drawing Sheets**





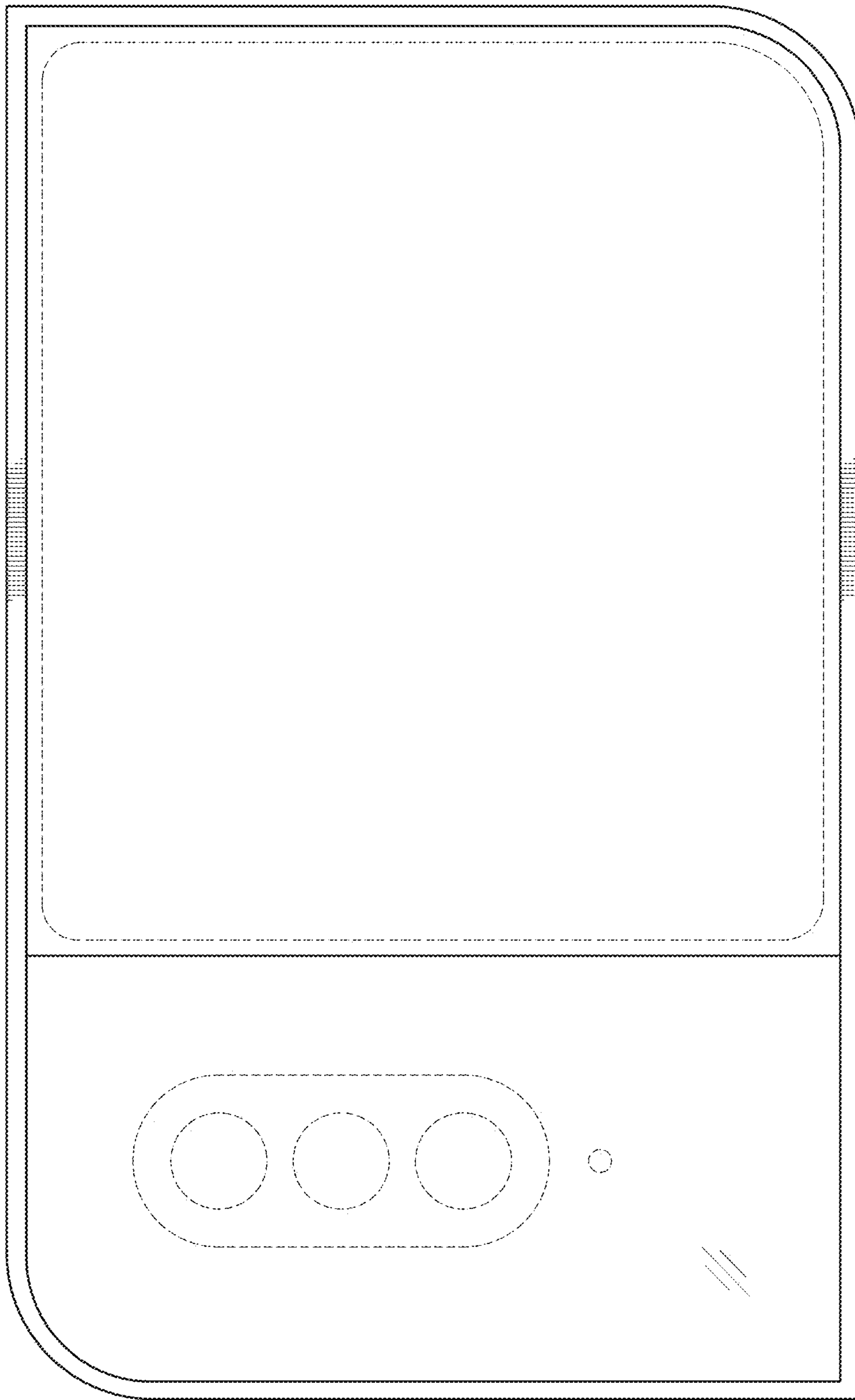


FIG. 2

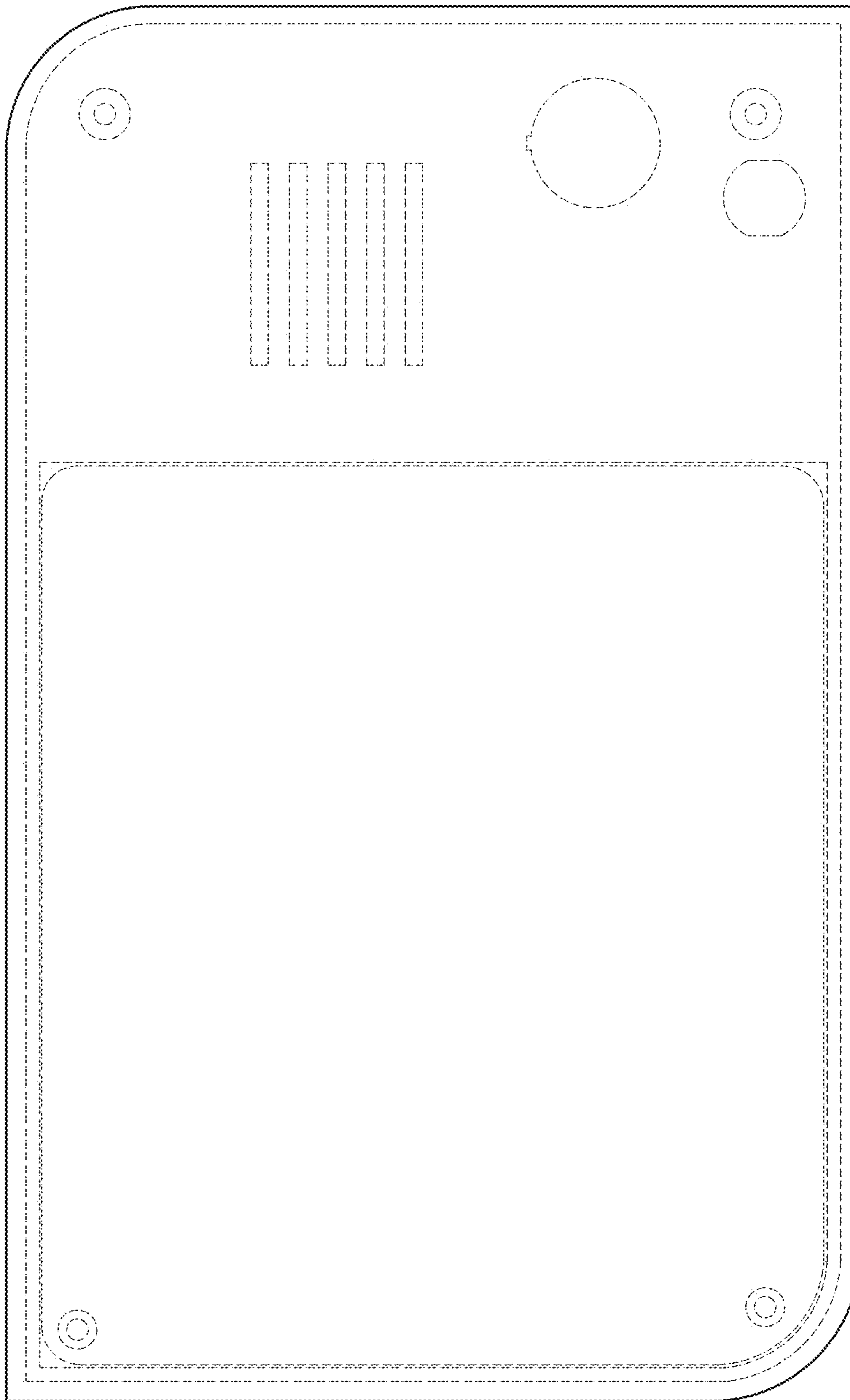


FIG. 3

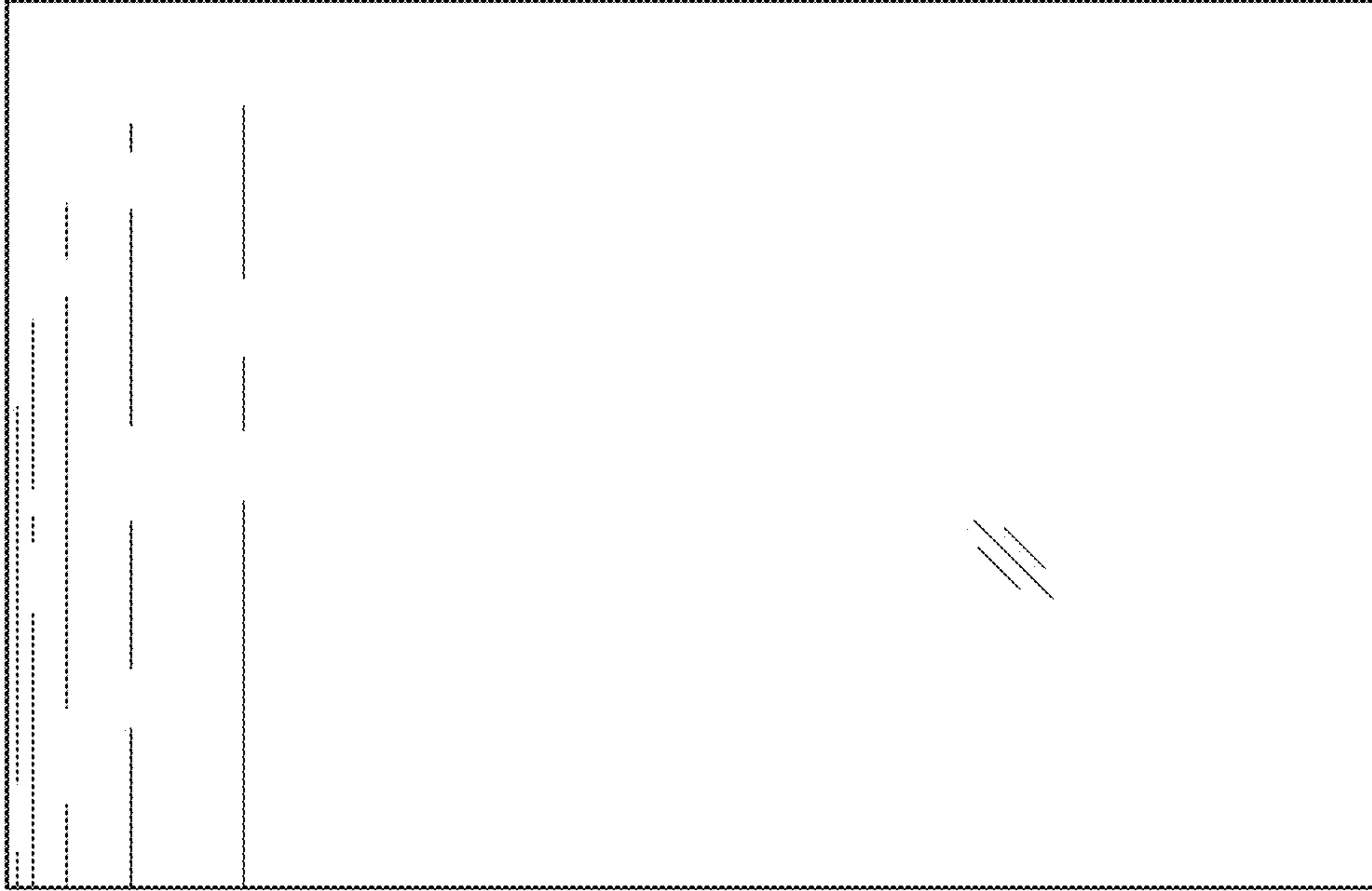


FIG. 5



FIG. 4

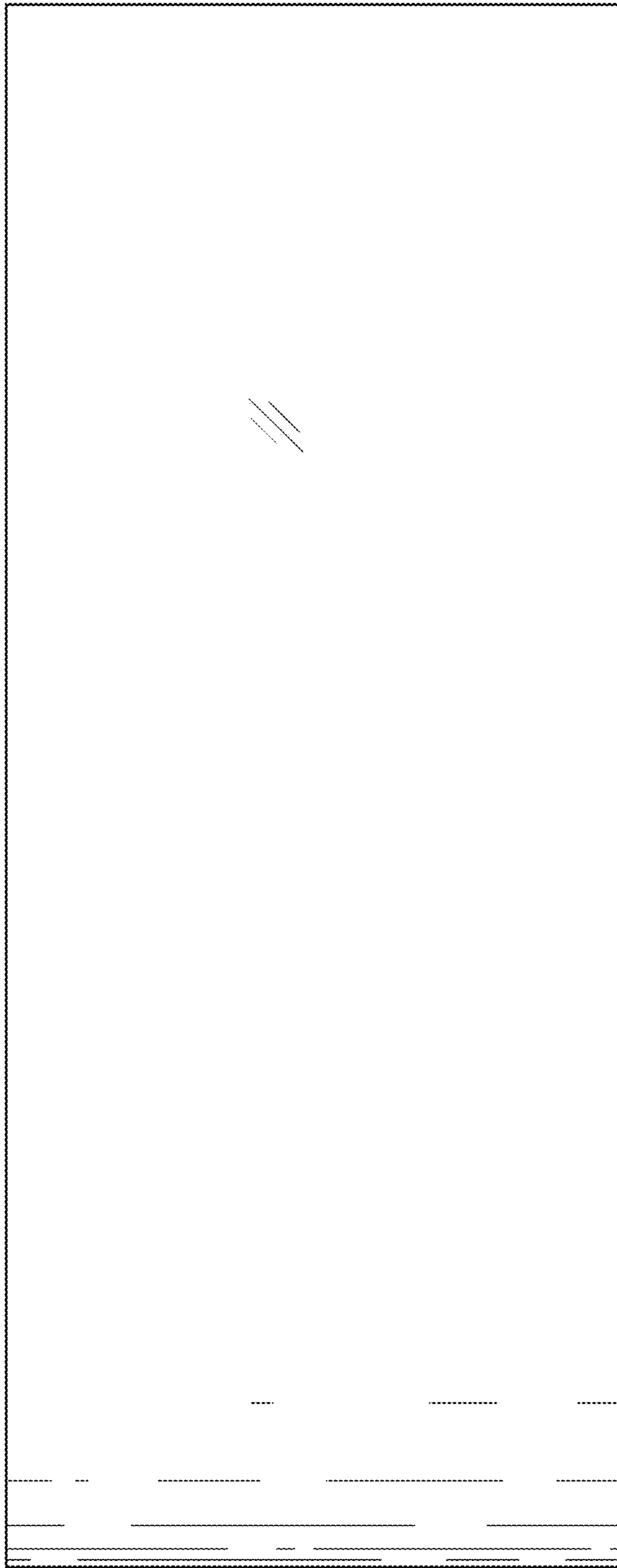


FIG. 6

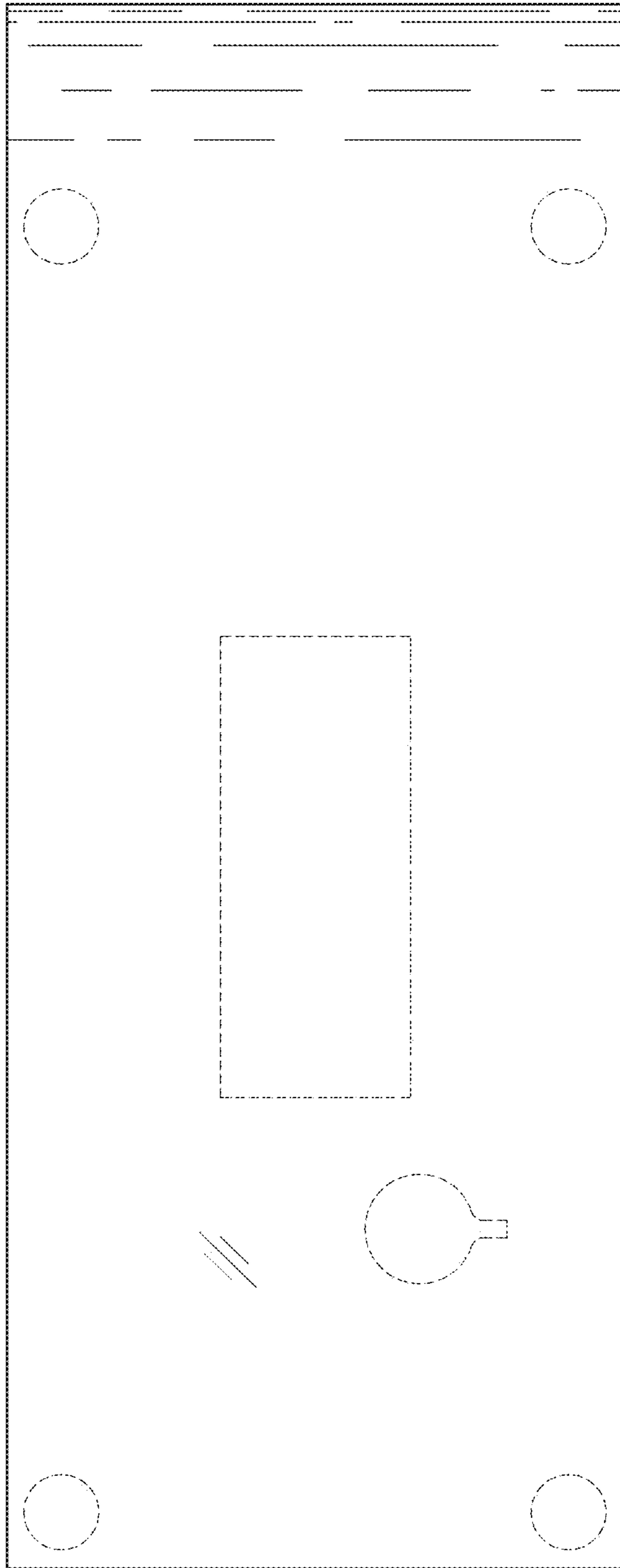


FIG. 7