



US00D927657S

(12) **United States Design Patent** (10) **Patent No.:** **US D927,657 S**
Chong et al. (45) **Date of Patent:** **** Aug. 10, 2021**

- (54) **CABINET WITH SINK**
- (71) Applicant: **Elkay Manufacturing Company**,
Downers Grove, IL (US)
- (72) Inventors: **Jonathan Chee Yeen Chong**, Chicago,
IL (US); **Jason Scott Silverstein**,
Palatine, IL (US); **David Alan Carhart**,
Cary, IL (US)
- (73) Assignee: **ELKAY MANUFACTURING
COMPANY**, Downers Grove, IL (US)
- (**) Term: **15 Years**
- (21) Appl. No.: **29/772,186**
- (22) Filed: **Feb. 26, 2021**

- D631,143 S 1/2011 Thomas
- D799,648 S 10/2017 Chong
- D799,649 S 10/2017 Chong
- D849,893 S 5/2019 Chen et al.
- 2018/0044901 A1 2/2018 Lloyd
- 2018/0187403 A1 7/2018 Chong et al.
- 2018/0259202 A1 9/2018 Kim et al.
- 2020/0277768 A1 9/2020 Chong et al.

* cited by examiner

Primary Examiner — Robert A Delehanty

(74) *Attorney, Agent, or Firm* — Neal, Gerber & Eisenberg LLP

(57) **CLAIM**

The ornamental design for a cabinet with sink, as shown and described.

DESCRIPTION

FIG. 1 is a front perspective view of a cabinet with sink, showing our new design.
 FIG. 2 is a front elevation view thereof.
 FIG. 3 is a rear elevation view thereof.
 FIG. 4 is a first side elevation view thereof.
 FIG. 5 is a second side elevation view thereof.
 FIG. 6 is a top plan view thereof.
 FIG. 7 is a bottom plan view thereof.
 FIG. 8 is a front perspective view of a cabinet with sink, without obscurement.
 FIG. 9 is a front elevation view thereof.
 FIG. 10 is a rear elevation view thereof.
 FIG. 11 is a first side elevation view thereof.
 FIG. 12 is a second side elevation view thereof.
 FIG. 13 is a top plan view thereof; and,
 FIG. 14 is a bottom plan view thereof.
 The broken lines are directed to environment, for illustrative purposes only, and form no part of the claimed design.

Related U.S. Application Data

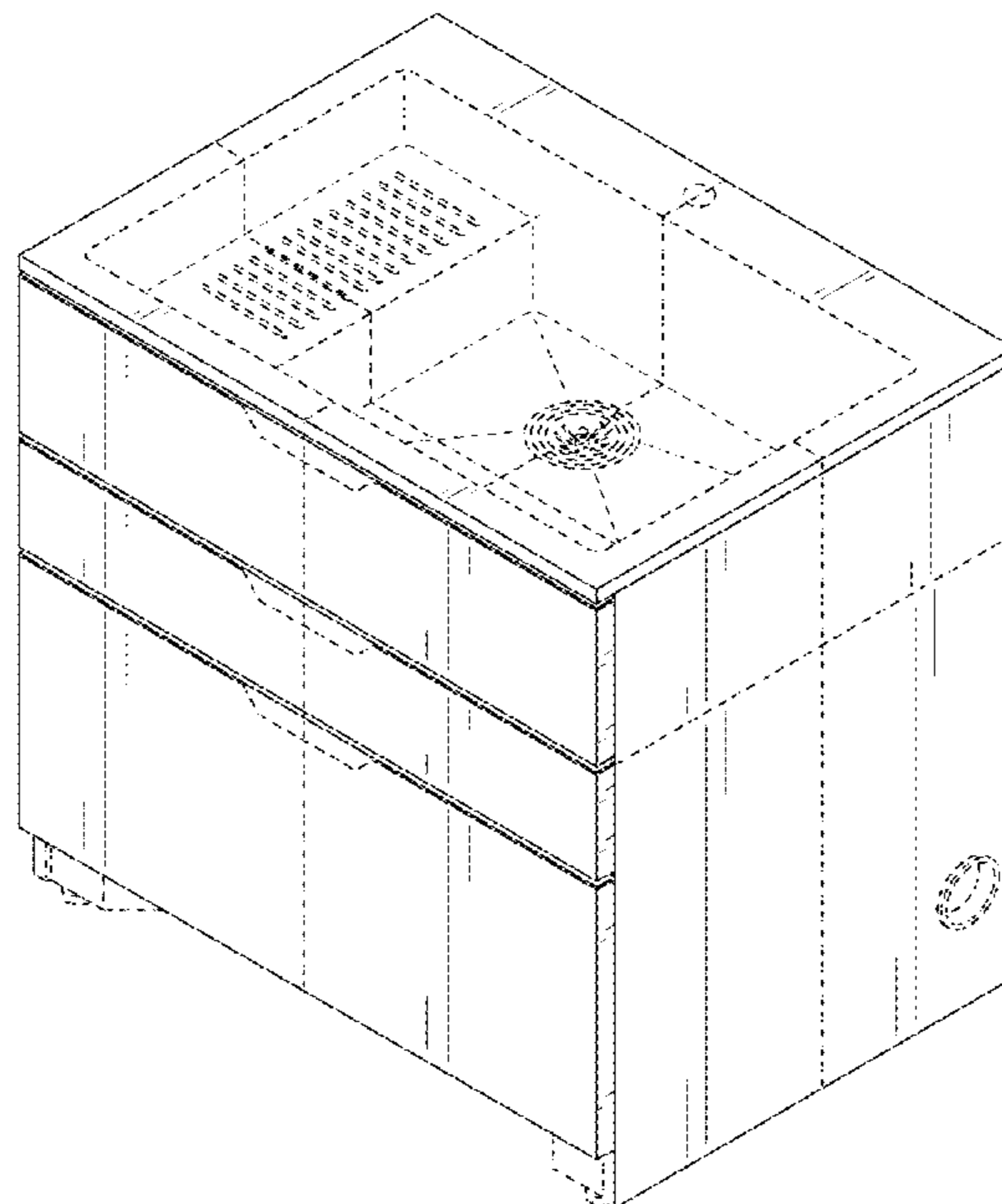
- (60) Continuation of application No. 29/733,796, filed on May 6, 2020, now Pat. No. Des. 912,228, which is a division of application No. 16/746,086, filed on Jan. 17, 2020.
- (51) **LOC (13) Cl.** **23-02**
- (52) **U.S. Cl.**
USPC **D23/286**
- (58) **Field of Classification Search**
USPC D23/284, 286, 293.1, 308, 271; D6/642,
D6/655.1, 655.14, 664
CPC A47B 77/06
See application file for complete search history.

(56) **References Cited**

U.S. PATENT DOCUMENTS

- D142,688 S * 10/1945 Beebe D23/271
- D624,634 S 9/2010 Thomas

1 Claim, 14 Drawing Sheets



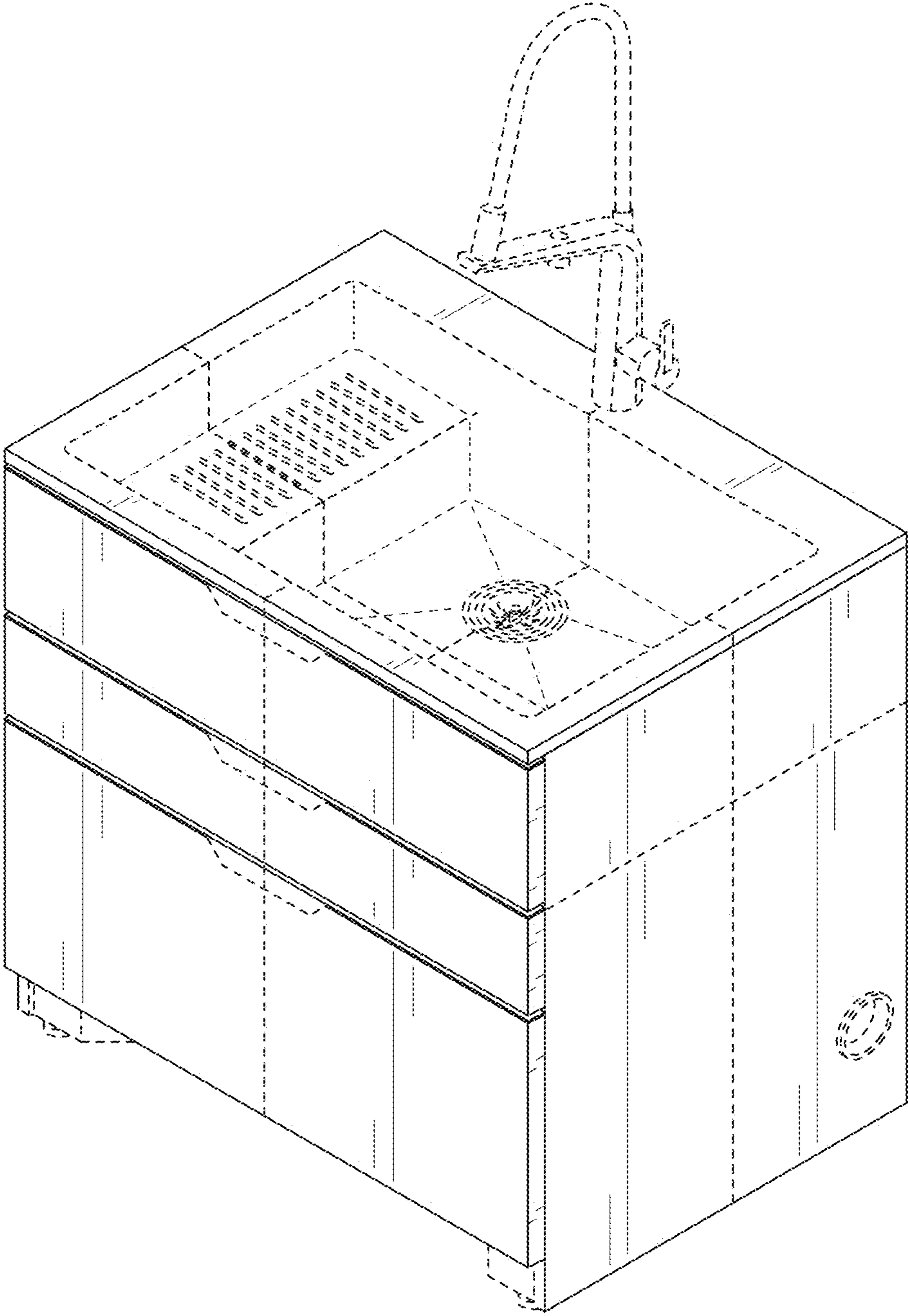


FIG. 1

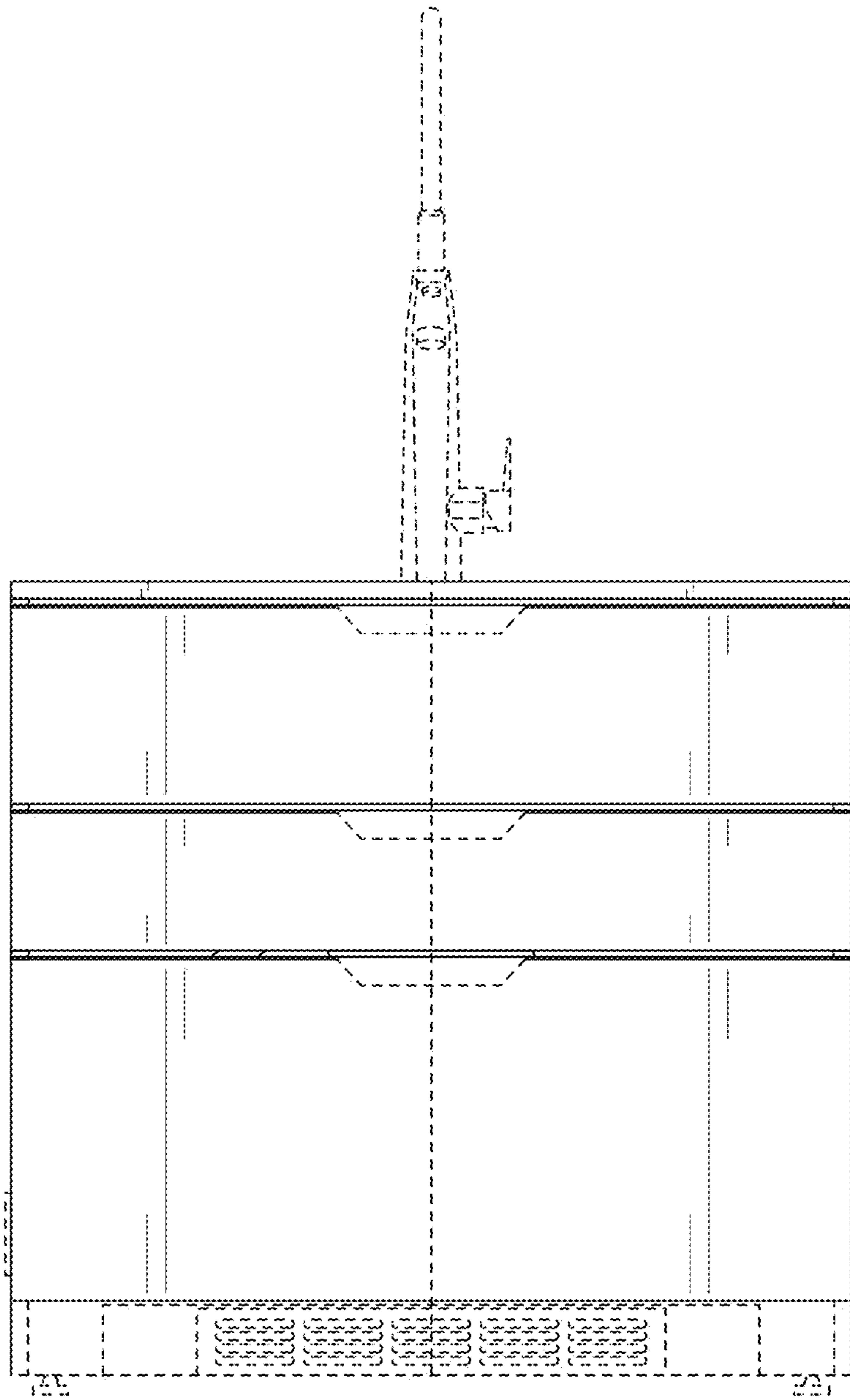


FIG. 2

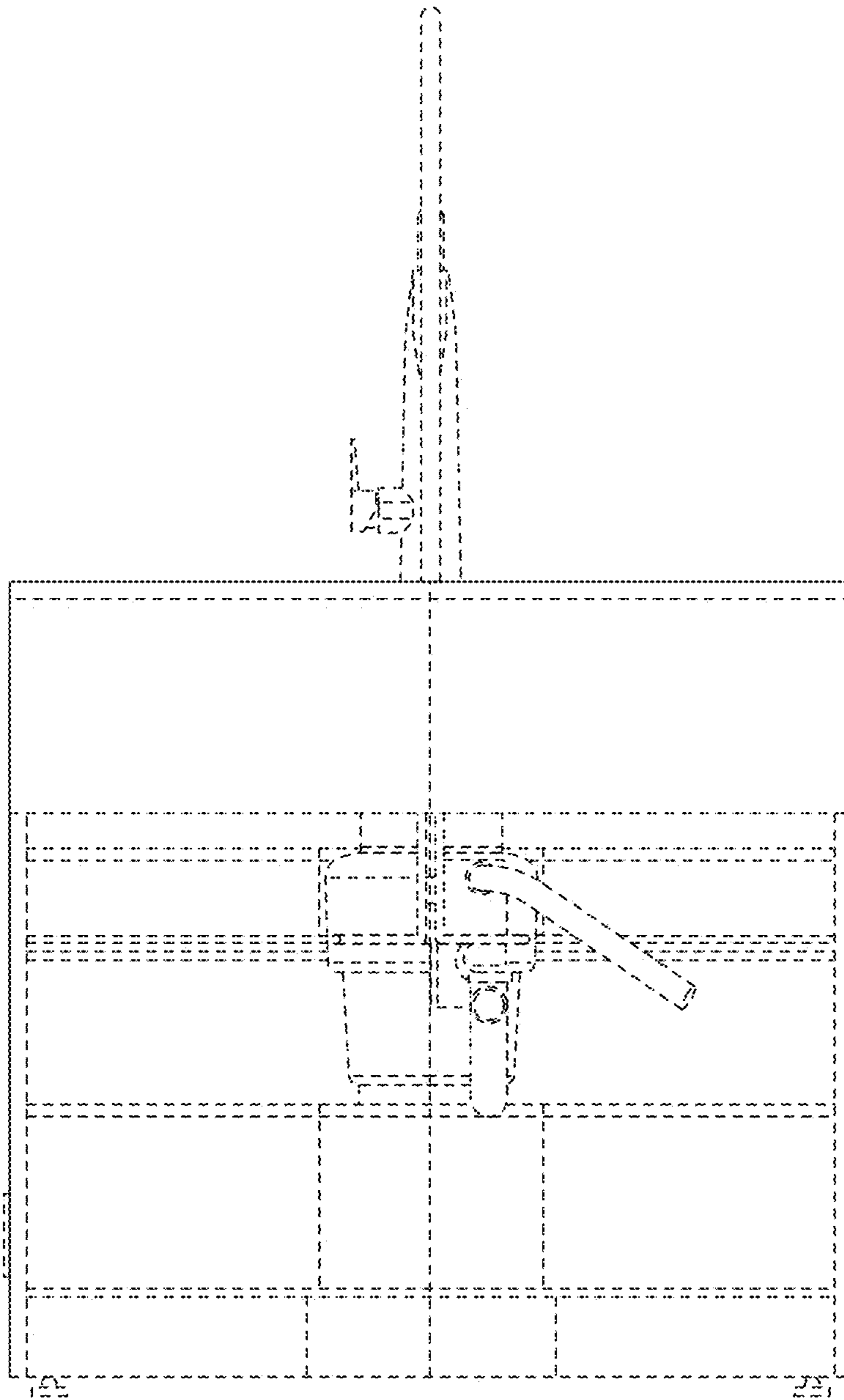


FIG. 3

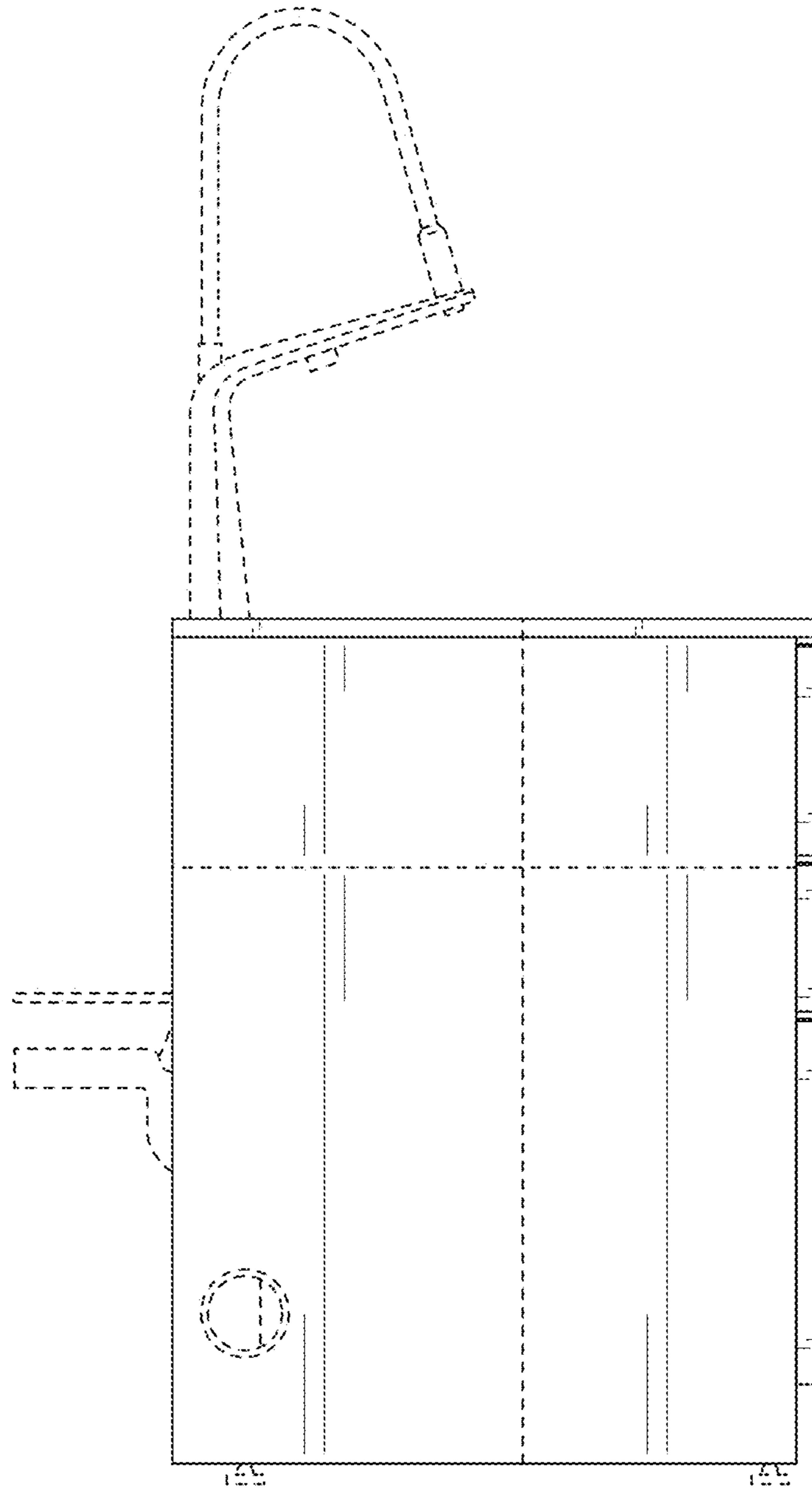


FIG. 4

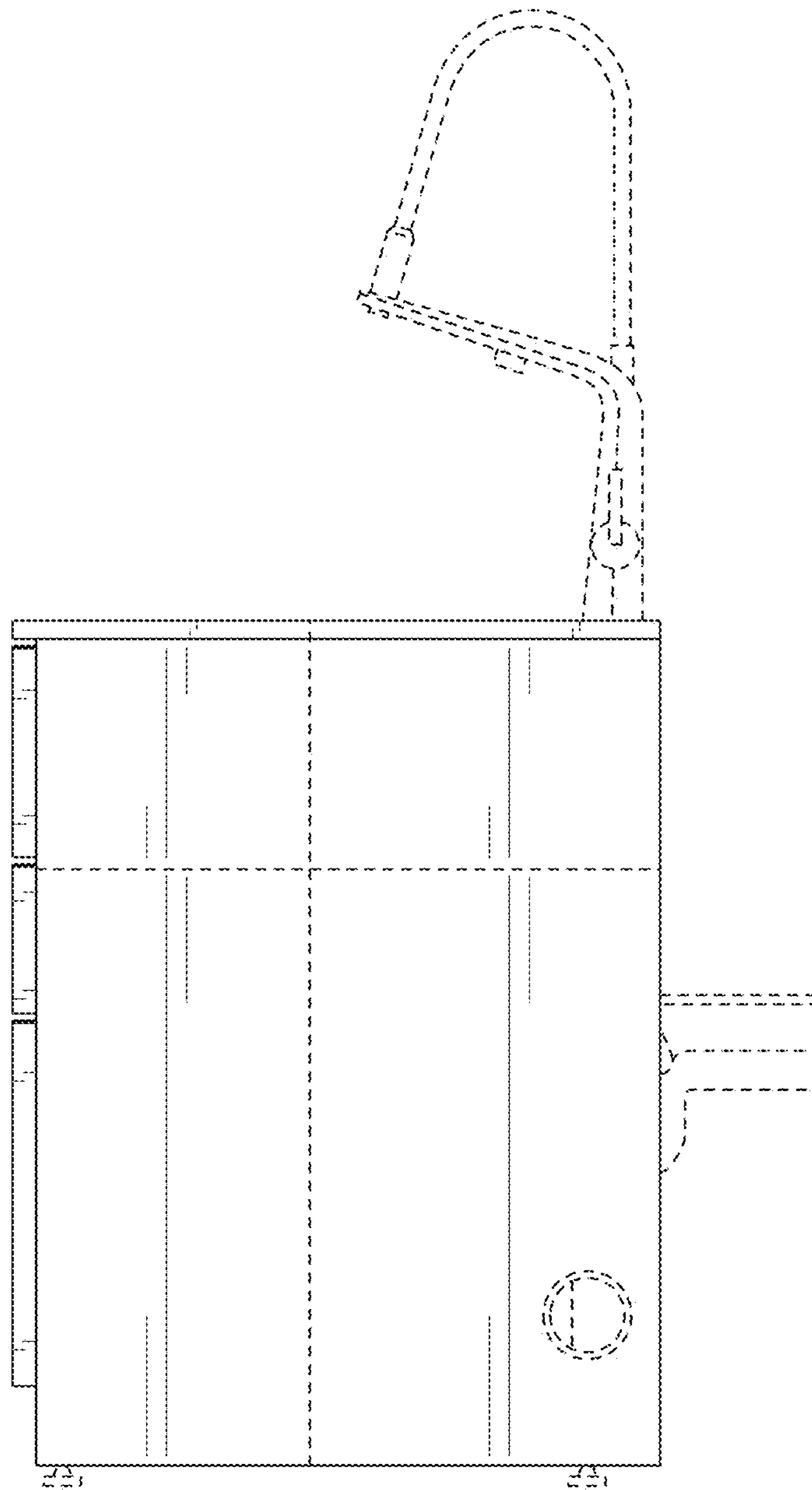


FIG. 5

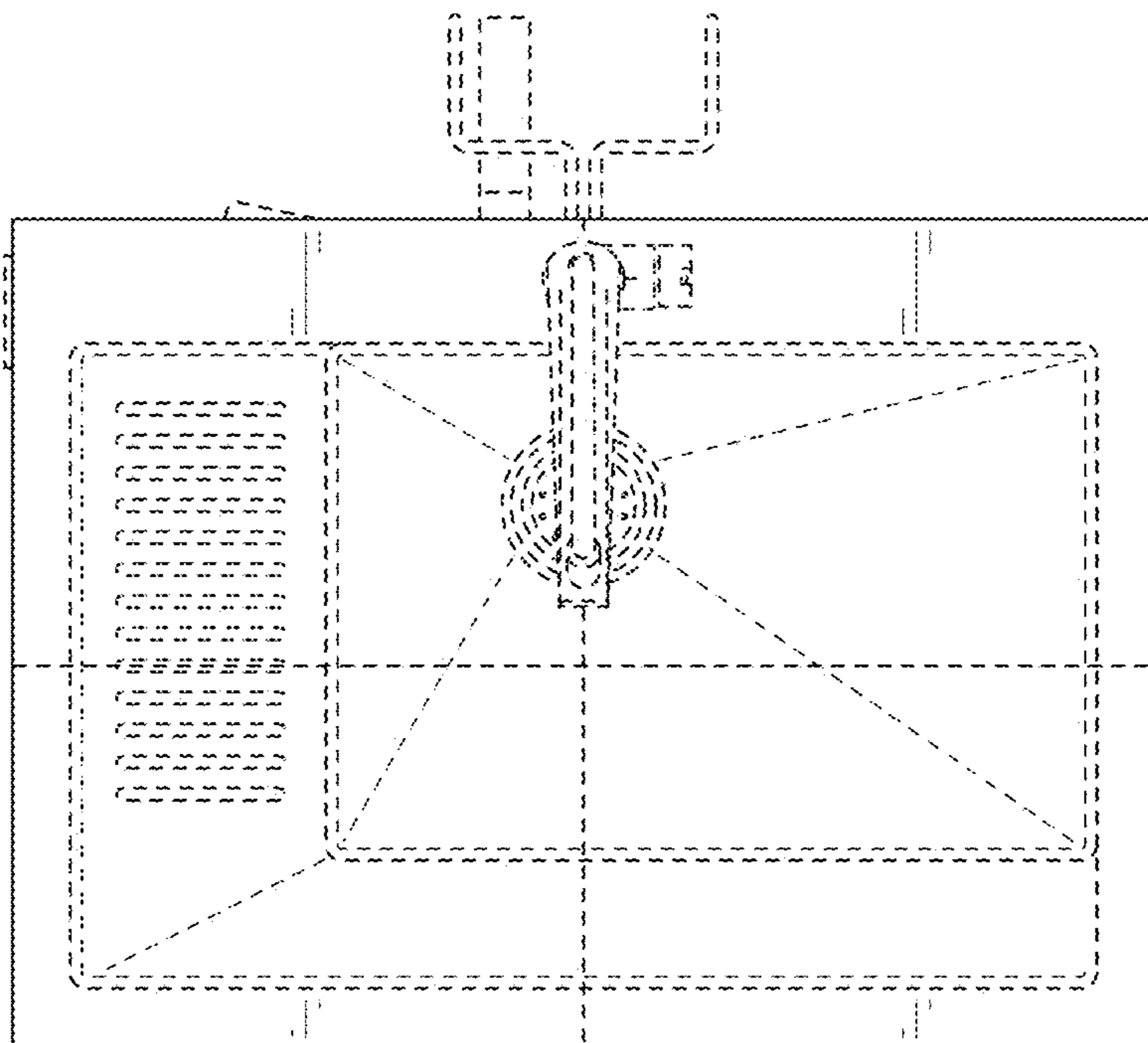


FIG. 6

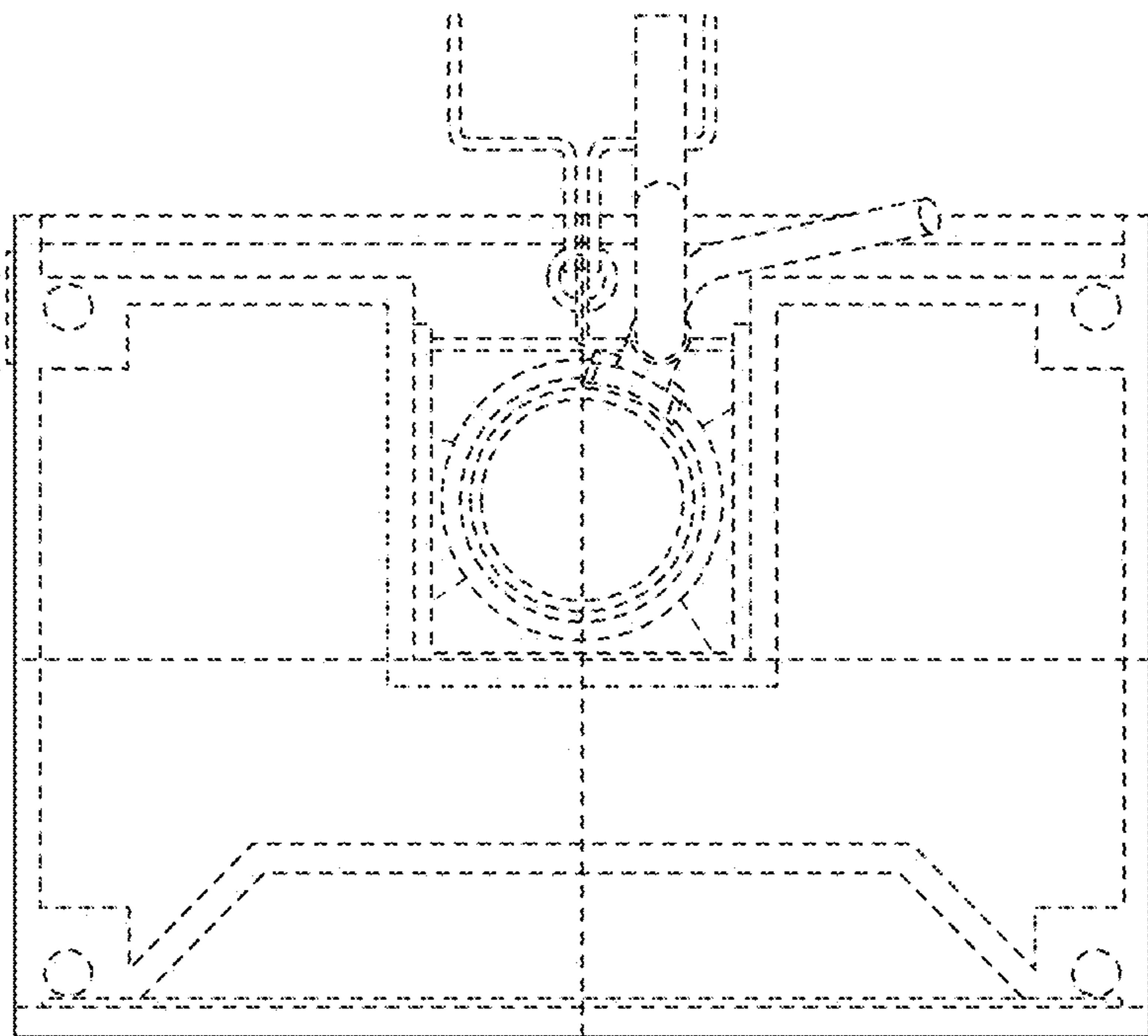


FIG. 7

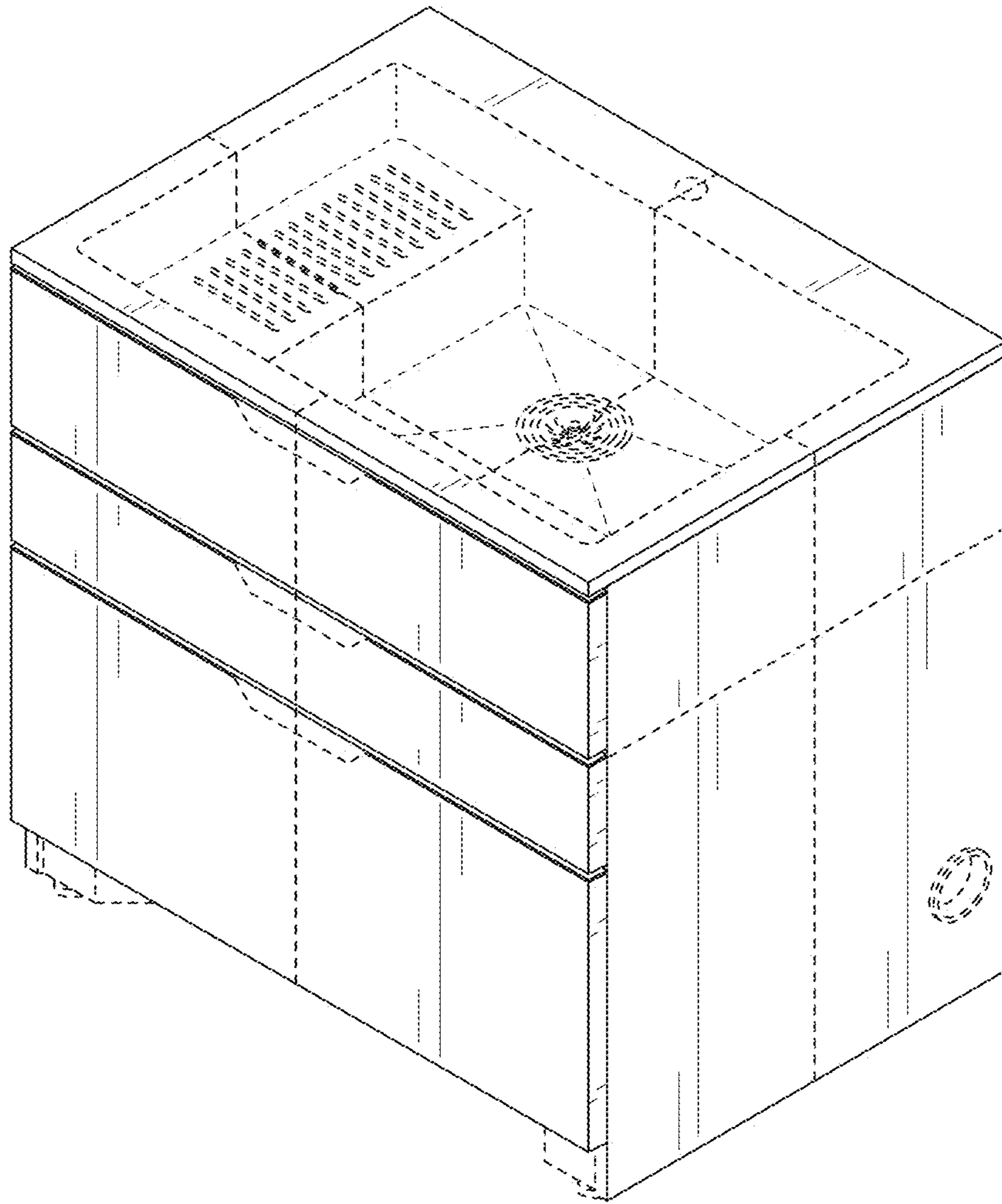


FIG. 8

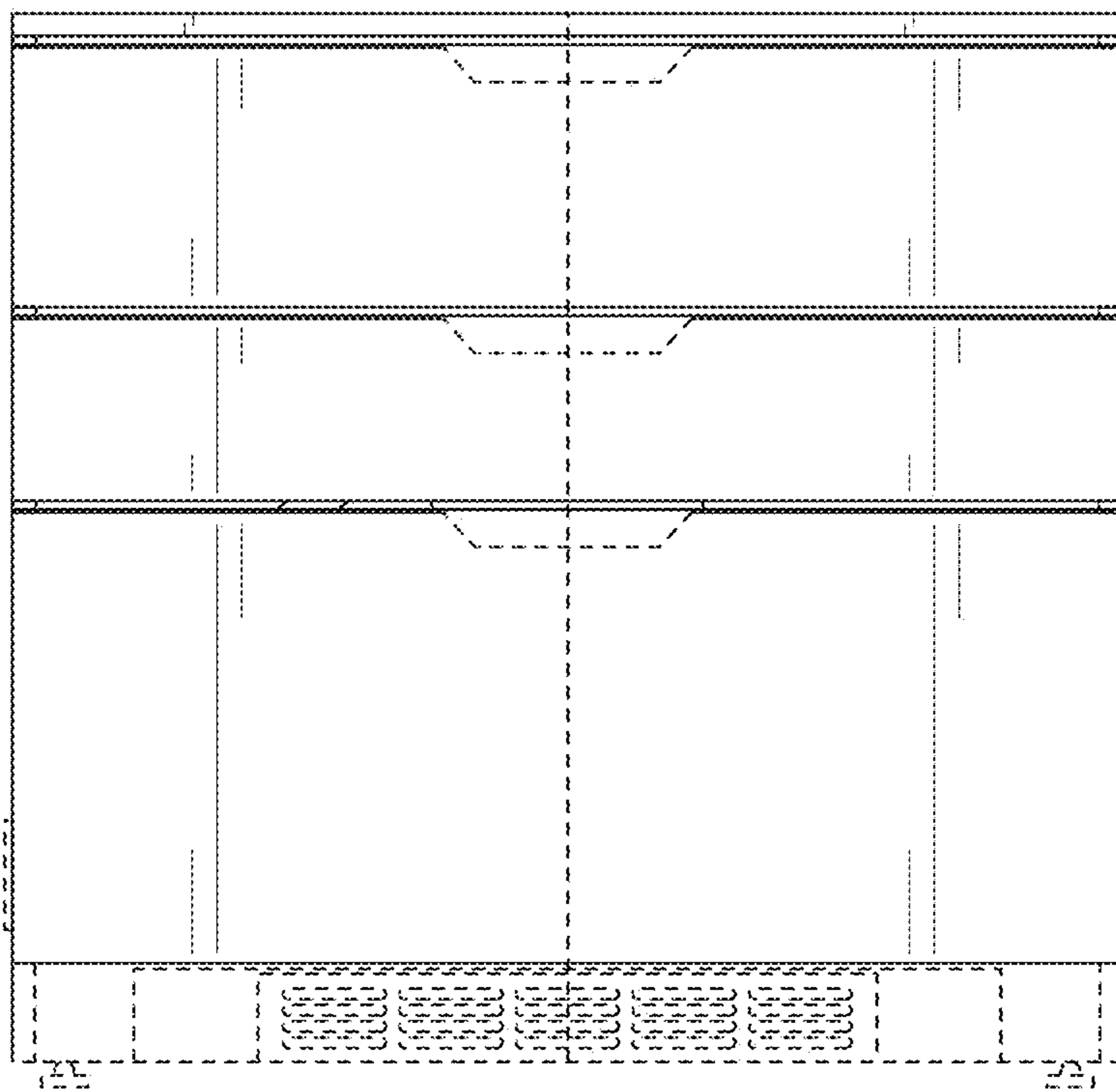


FIG. 9

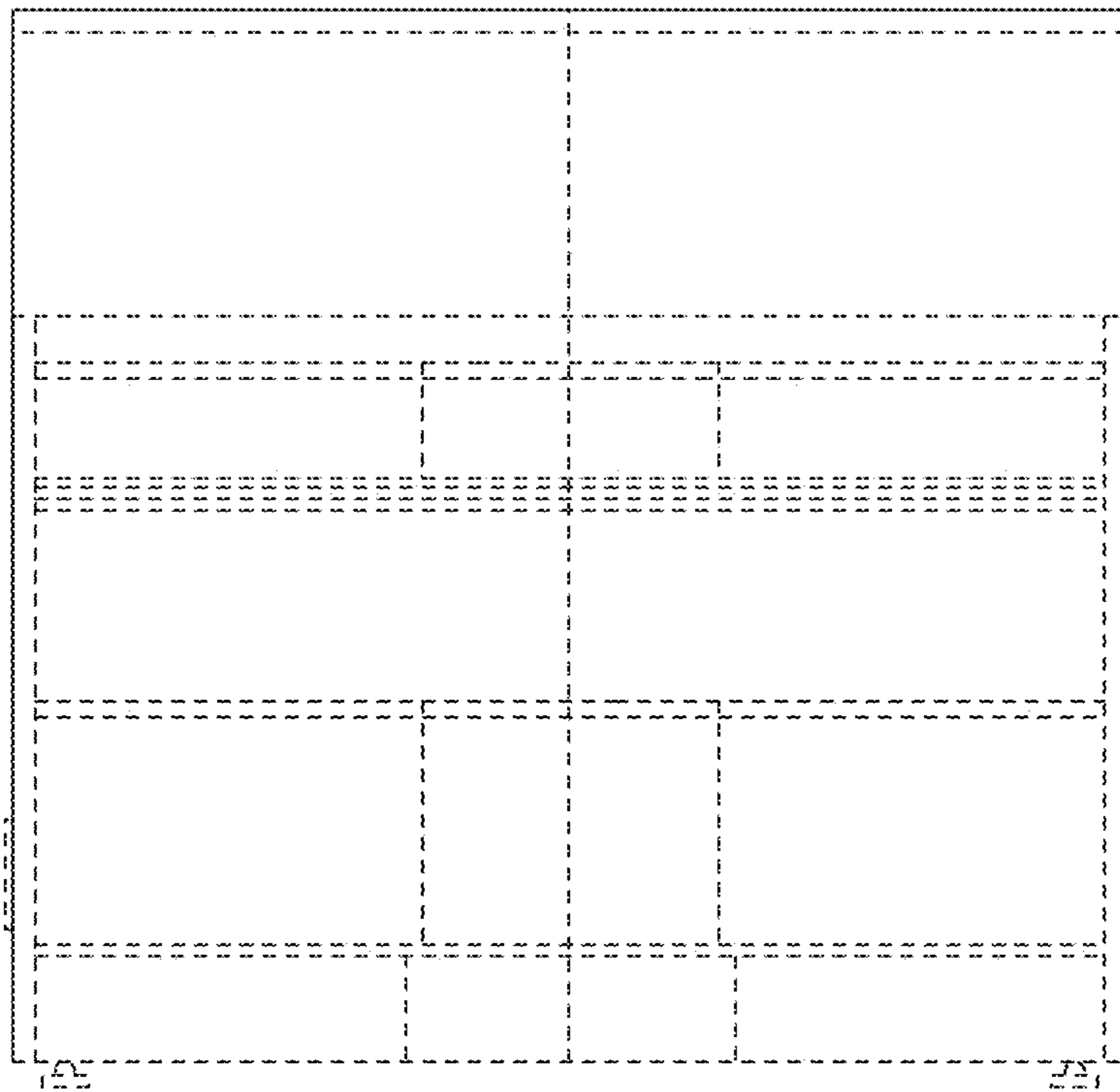


FIG. 10

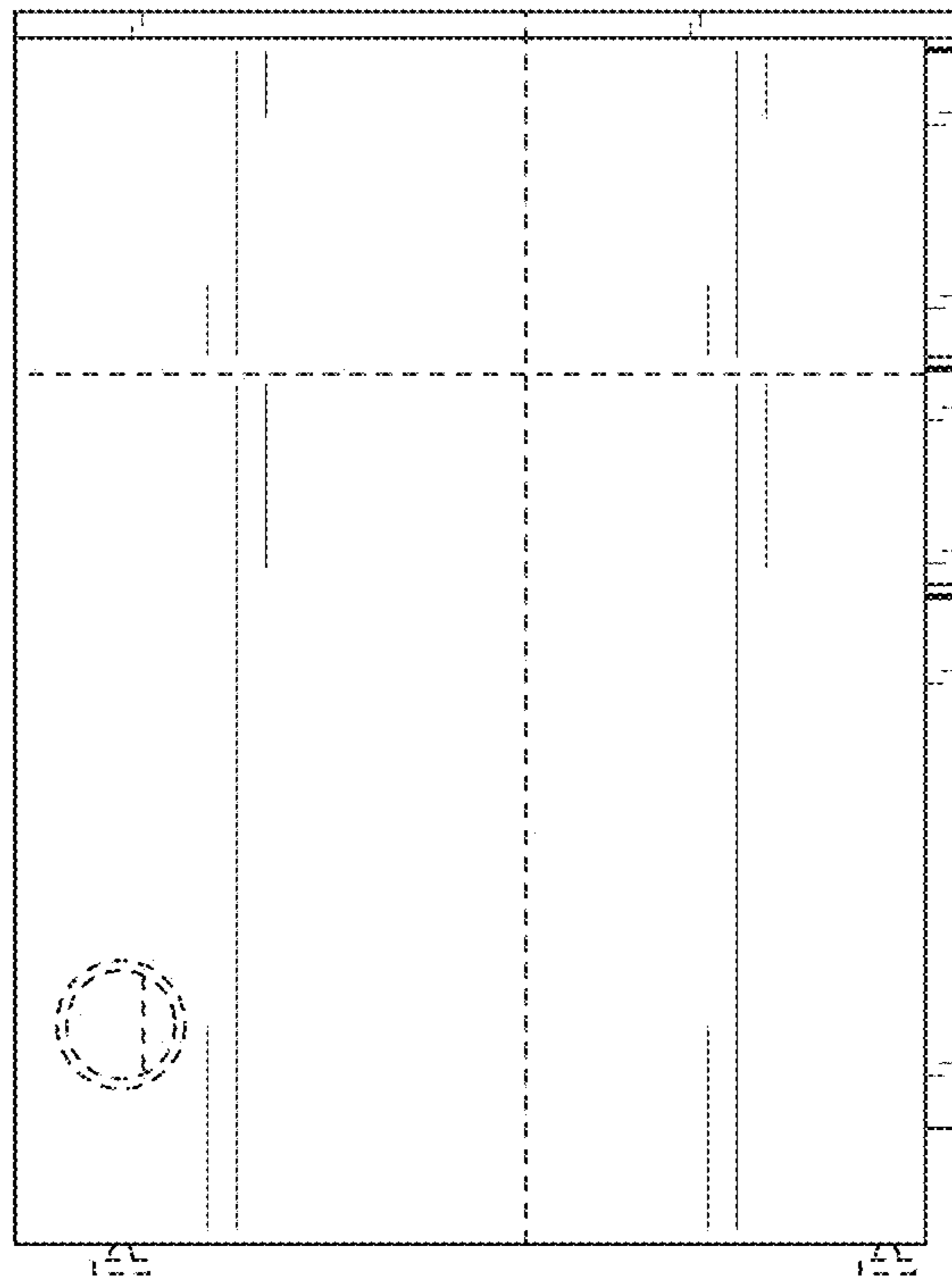


FIG. 11

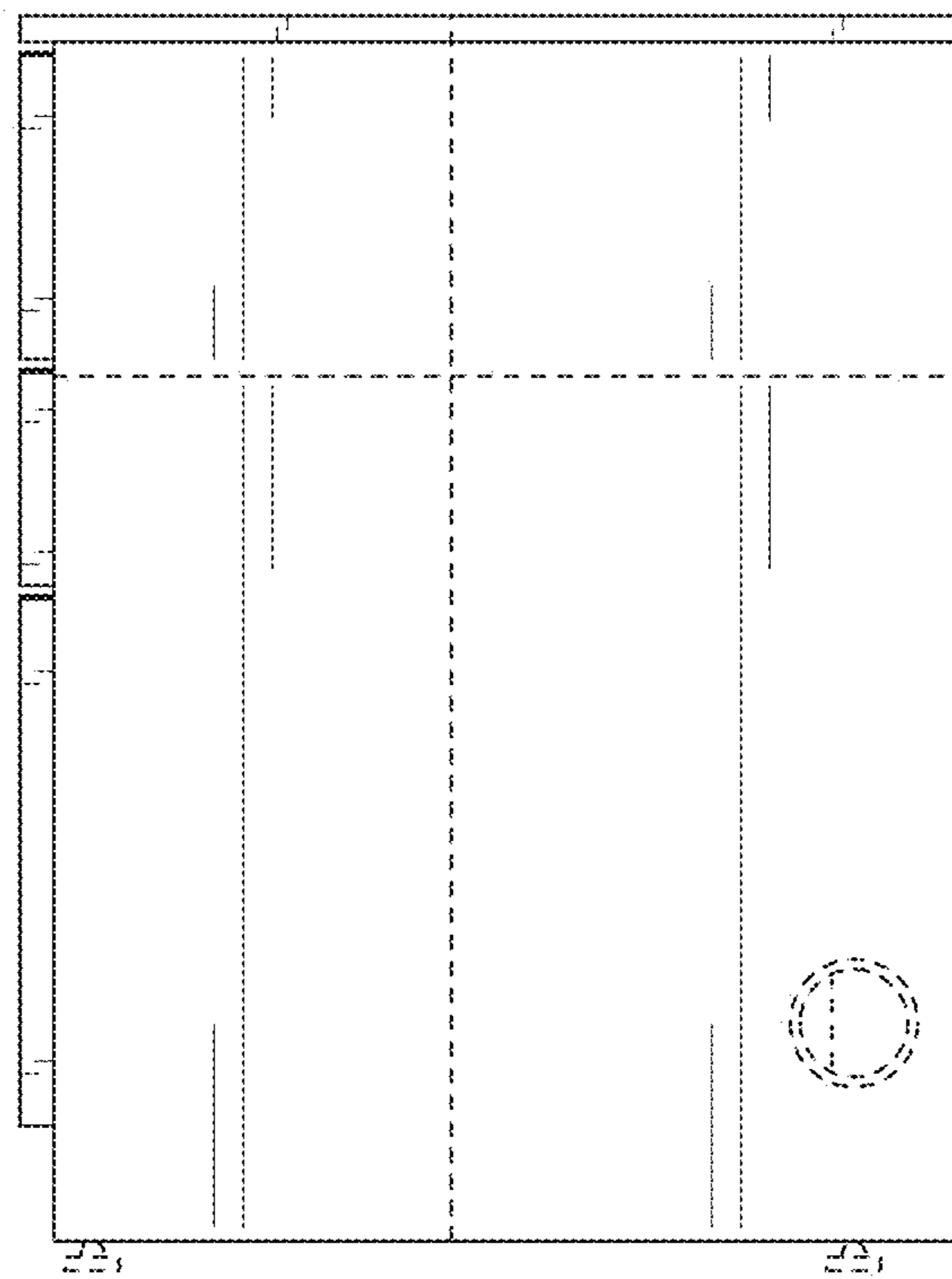


FIG. 12

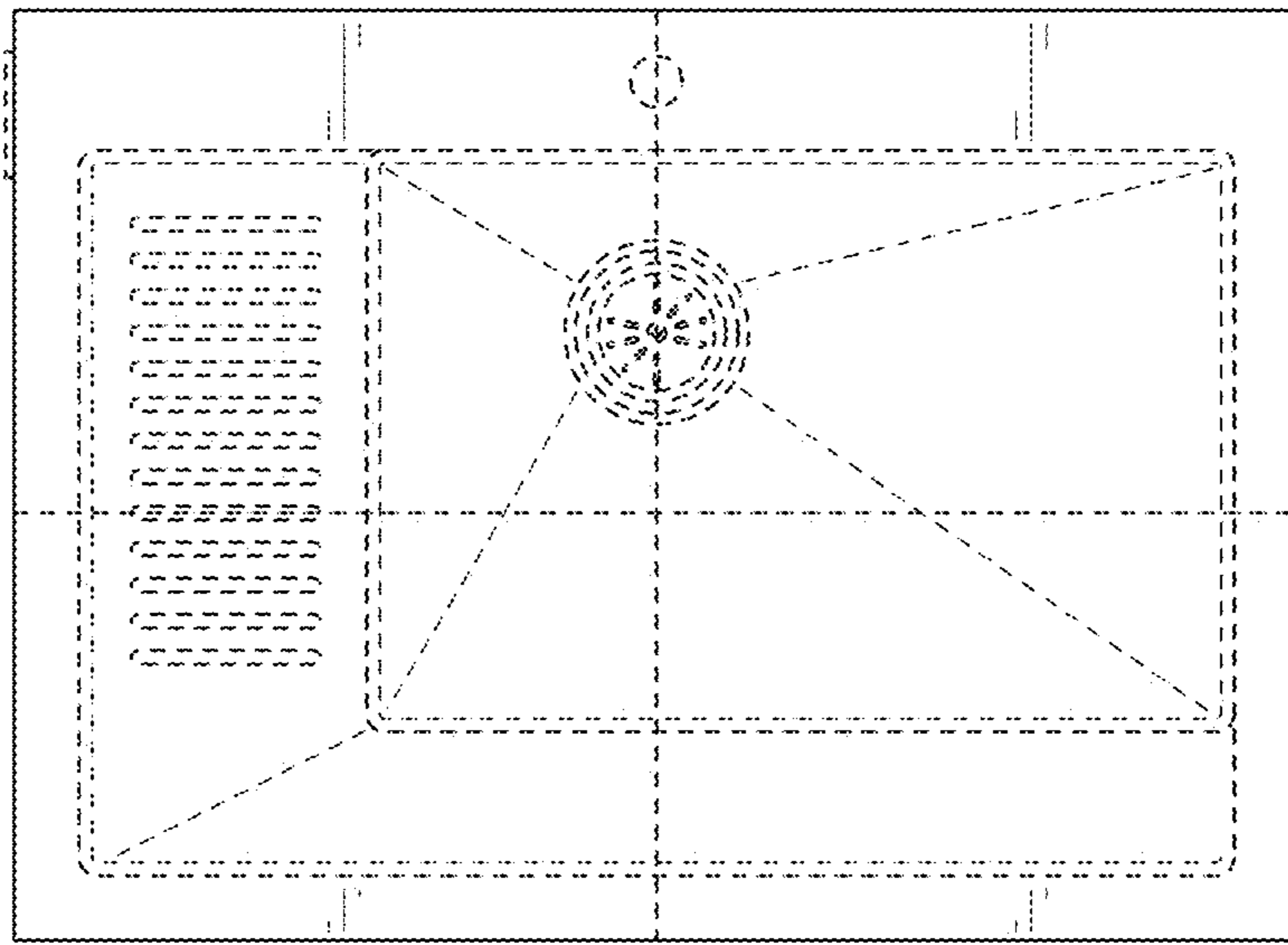


FIG. 13

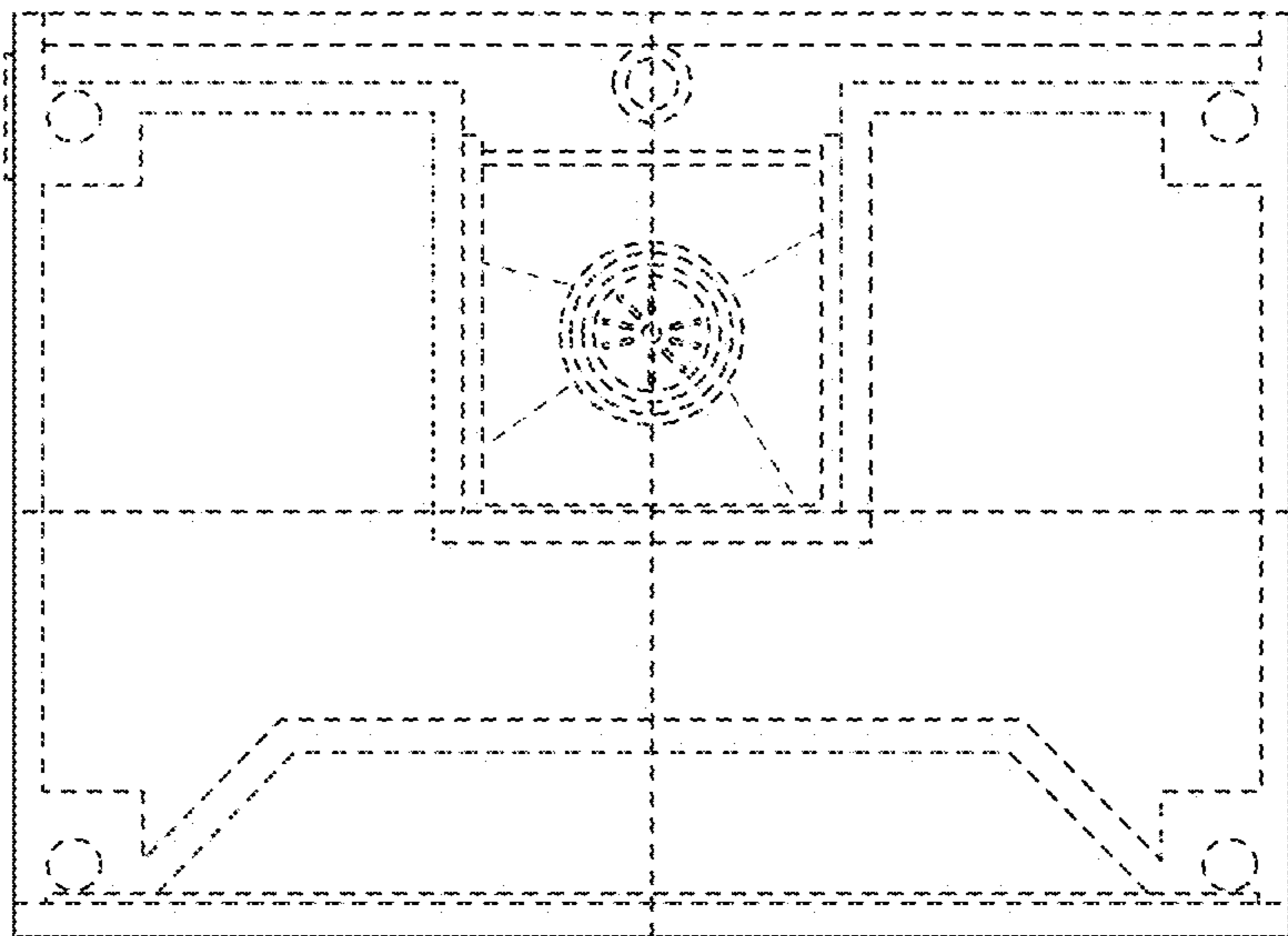


FIG. 14