



US00D927655S

(12) **United States Design Patent**
Coronado et al.

(10) **Patent No.:** **US D927,655 S**

(45) **Date of Patent:** **** Aug. 10, 2021**

(54) **UNIVERSAL HEIGHT ABSORBING TOILET SEAL**

(71) Applicant: **Coflex S.A. de C.V.**, Nuevo Leon (MX)

(72) Inventors: **Eduardo Coronado**, Monterrey (MX);
Pedro Gonzalez, Monterrey (MX);
Krishnaditya Arkalgud, Oceanside, CA (US)

(73) Assignee: **Coflex S.A. de C.V.**, Monterrey (MX)

(**) Term: **15 Years**

(21) Appl. No.: **29/690,649**

(22) Filed: **May 9, 2019**

(51) **LOC (13) Cl.** **23-01**

(52) **U.S. Cl.**
USPC **D23/269**

(58) **Field of Classification Search**
USPC D23/259–262, 268–269; 4/252.1,
4/252.4–252.5; 285/58
CPC F16J 15/00; E03D 13/14
See application file for complete search history.

(56) **References Cited**

U.S. PATENT DOCUMENTS

D35,534 S	12/1901	Conlin	
3,579,670 A	5/1971	Frank	
3,821,820 A *	7/1974	Thompson E03D 11/16 4/252.6
3,967,836 A *	7/1976	Izzi, Sr. E03D 11/16 285/12
4,052,759 A	10/1977	Hill	
4,827,539 A	5/1989	Kiziah	
D323,213 S	1/1992	Iacone	
5,377,361 A	1/1995	Piskula	
D359,451 S	6/1995	Dees	
D372,074 S	7/1996	Wallace et al.	
D385,956 S	11/1997	Doughty et al.	
6,085,362 A	7/2000	Huber	

6,519,784 B2 * 2/2003 Carwile E03D 11/16
4/252.1

6,719,294 B2 * 4/2004 Nguyen E03D 11/16
277/314

7,055,184 B2 6/2006 Humber
D563,531 S 3/2008 Katsura
7,350,243 B2 4/2008 Zahuranec
D574,931 S 8/2008 Hughes

(Continued)

Primary Examiner — Amy C Wierenga

(74) *Attorney, Agent, or Firm* — Baker & McKenzie LLP

(57) **CLAIM**

The ornamental design for a universal height absorbing toilet seal, as shown and described.

DESCRIPTION

FIG. 1 is a top perspective view of a universal height absorbing toilet seal in accordance with our design.

FIG. 2 is a bottom perspective view of the universal height absorbing toilet seal of FIG. 1.

FIG. 3 is a bottom perspective view of the universal height absorbing toilet seal of FIG. 1.

FIG. 4 is a front view of the universal height absorbing toilet seal of FIG. 1.

FIG. 5 is a back view of the universal height absorbing toilet seal of FIG. 1.

FIG. 6 is a left side view of the universal height absorbing toilet seal of FIG. 1.

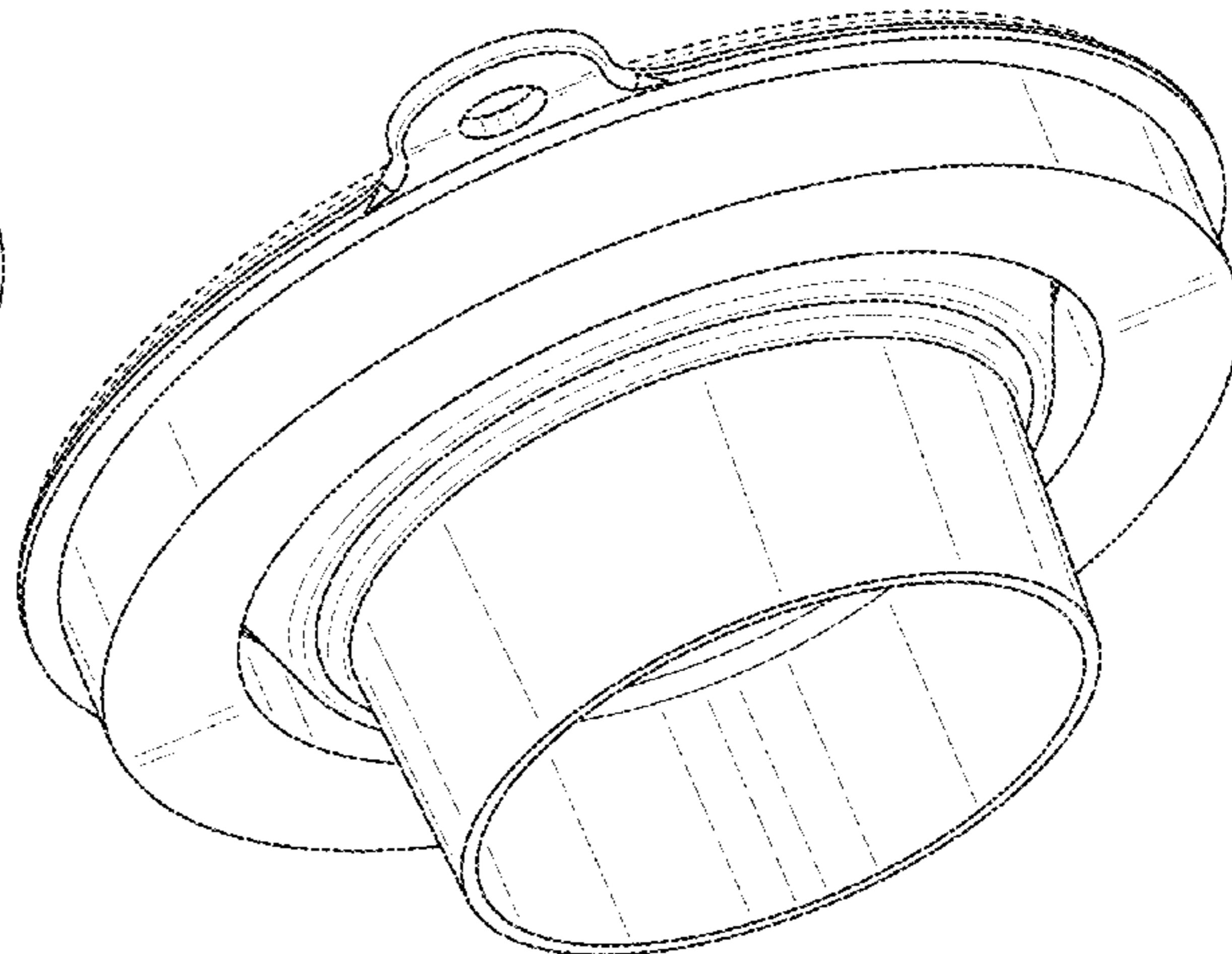
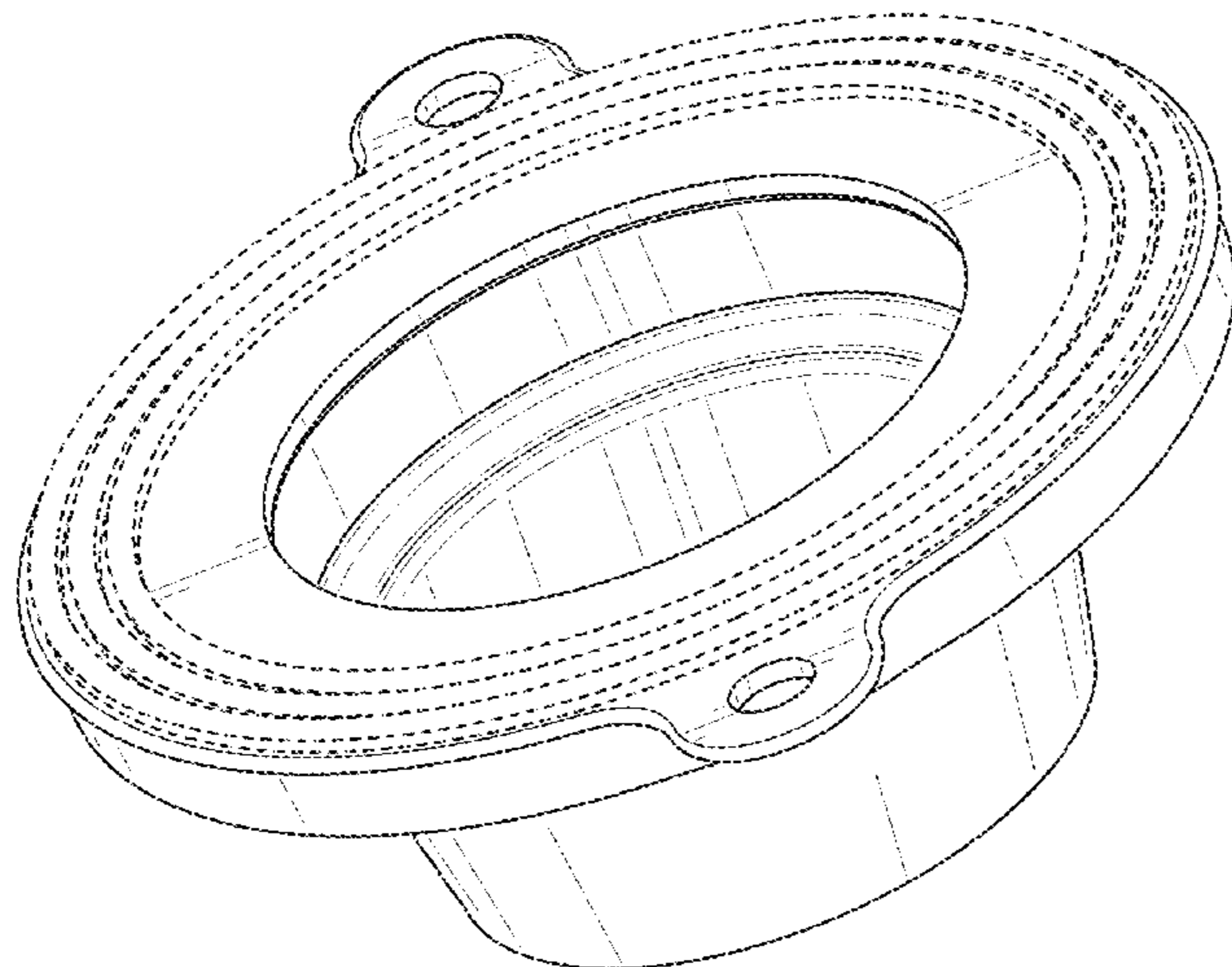
FIG. 7 is a right side view of the universal height absorbing toilet seal of FIG. 1.

FIG. 8 is top view of the universal height absorbing toilet seal of FIG. 1; and,

FIG. 9 is a bottom view of the universal height absorbing toilet seal of FIG. 1.

The dashed broken lines in the drawings depict portions of the universal height absorbing toilet seal that form no part of the claim.

1 Claim, 9 Drawing Sheets



(56)

References Cited

U.S. PATENT DOCUMENTS

D605,739 S	12/2009	Henry et al.	2005/0175211 A1	8/2005	Suzuki
D614,272 S	4/2010	Henry et al.	2005/0278841 A1	12/2005	Coronado et al.
D631,066 S	1/2011	Itadani et al.	2006/0213003 A1*	9/2006	Hughes E03D 11/16
8,099,801 B2	1/2012	Hughes			4/252.4
D653,734 S	2/2012	Sisk	2006/0253971 A1	11/2006	Colin et al.
D655,796 S	3/2012	DeWitt et al.	2009/0119826 A1*	5/2009	Coronado E03C 1/12
D659,808 S	5/2012	Zeyfang			4/252.5
D681,176 S	4/2013	Chacko	2010/0037376 A1*	2/2010	Hughes E03D 11/16
D706,909 S	6/2014	van de Klippe et al.			4/252.4
D714,917 S	10/2014	Miller et al.	2010/0088811 A1*	4/2010	Coronado E03D 11/14
8,910,321 B2	12/2014	Coronado et al.			4/252.4
D728,758 S	5/2015	Coronado	2010/0237569 A1	9/2010	Jimenez et al.
D728,759 S	5/2015	Gonzalez	2011/0181040 A1	7/2011	Thompson et al.
D730,498 S	5/2015	Gonzalez	2013/0152291 A1	6/2013	Stonecipher et al.
D792,563 S	7/2017	Coronado et al.	2013/0227772 A1*	9/2013	Schuster E03D 11/17
D841,784 S *	2/2019	Sharratt D23/269			4/300
D857,860 S *	8/2019	Coronado D23/269	2014/0014867 A1	1/2014	Hung
2002/0023294 A1*	2/2002	Spells, Sr. E03D 11/16	2015/0135421 A1*	5/2015	Guthrie E03D 11/16
		4/252.6			4/252.6
2003/0093855 A1	5/2003	Rendell	2015/0292190 A1	10/2015	Coronado et al.
2004/0245726 A1	12/2004	Gravier	2015/0376887 A1	12/2015	Coronado et al.
2005/0138722 A1	6/2005	Humber	2016/0312458 A1	10/2016	Mehari
			2019/0040616 A1	2/2019	Coronado et al.

* cited by examiner

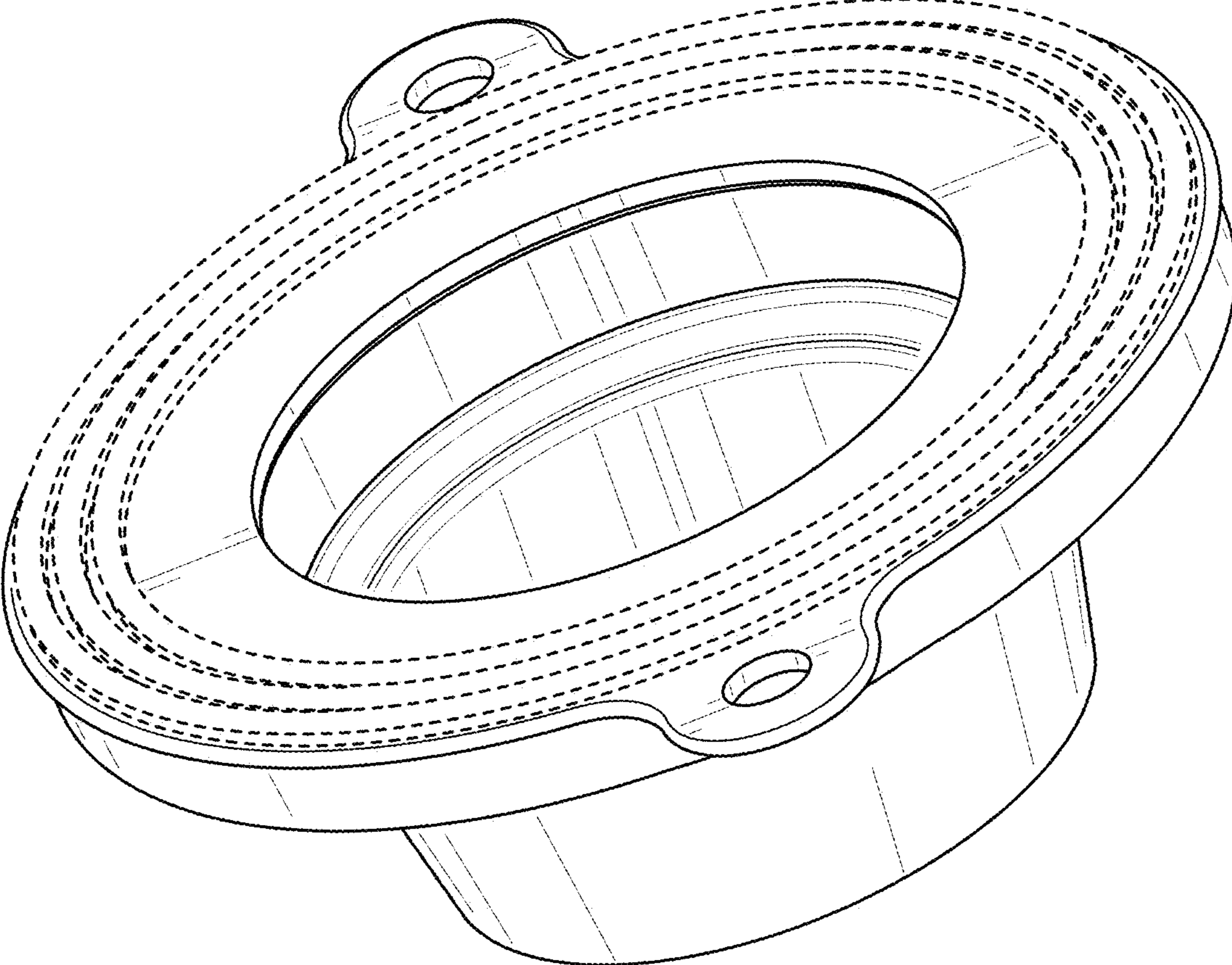


FIG. 1

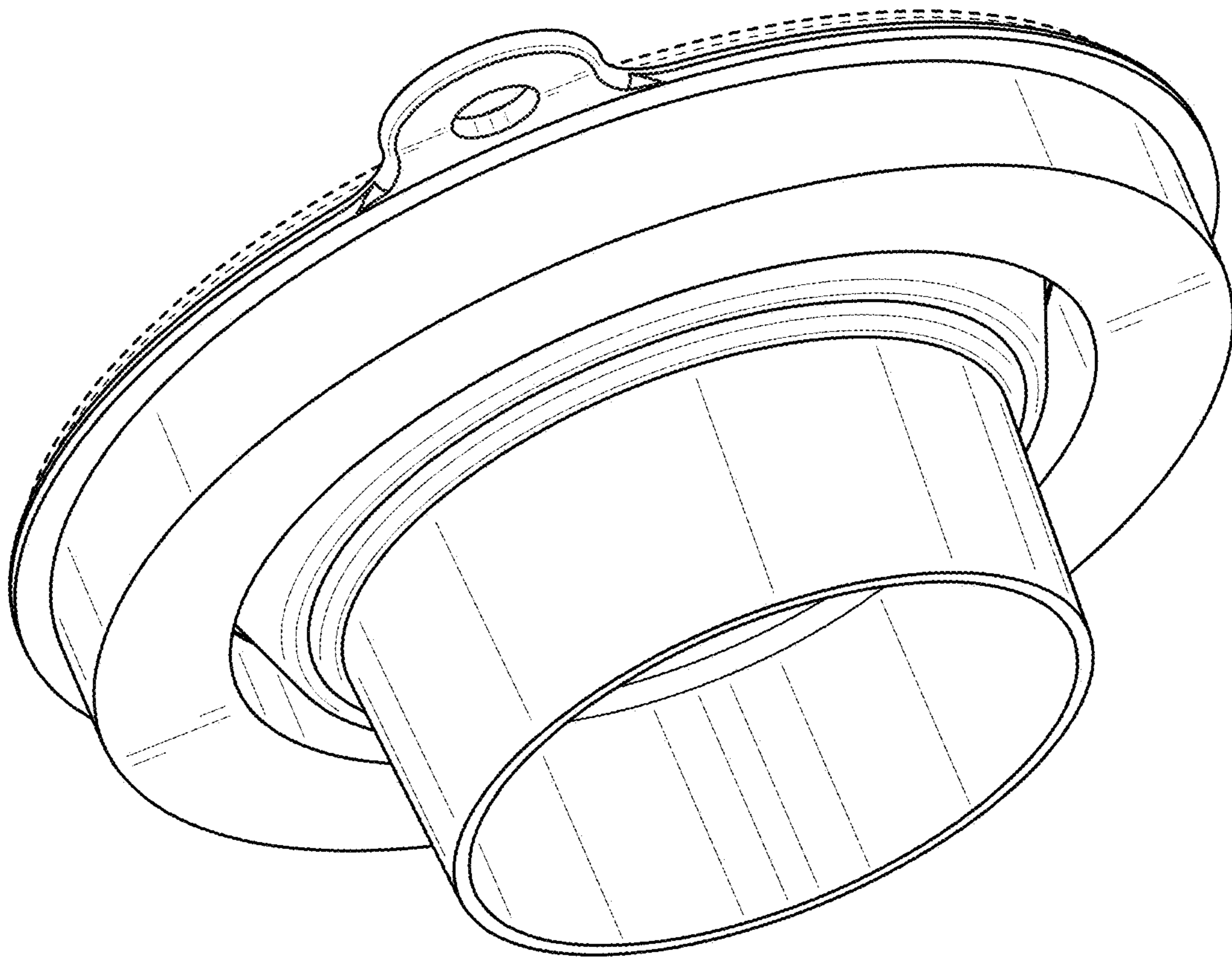


FIG. 2

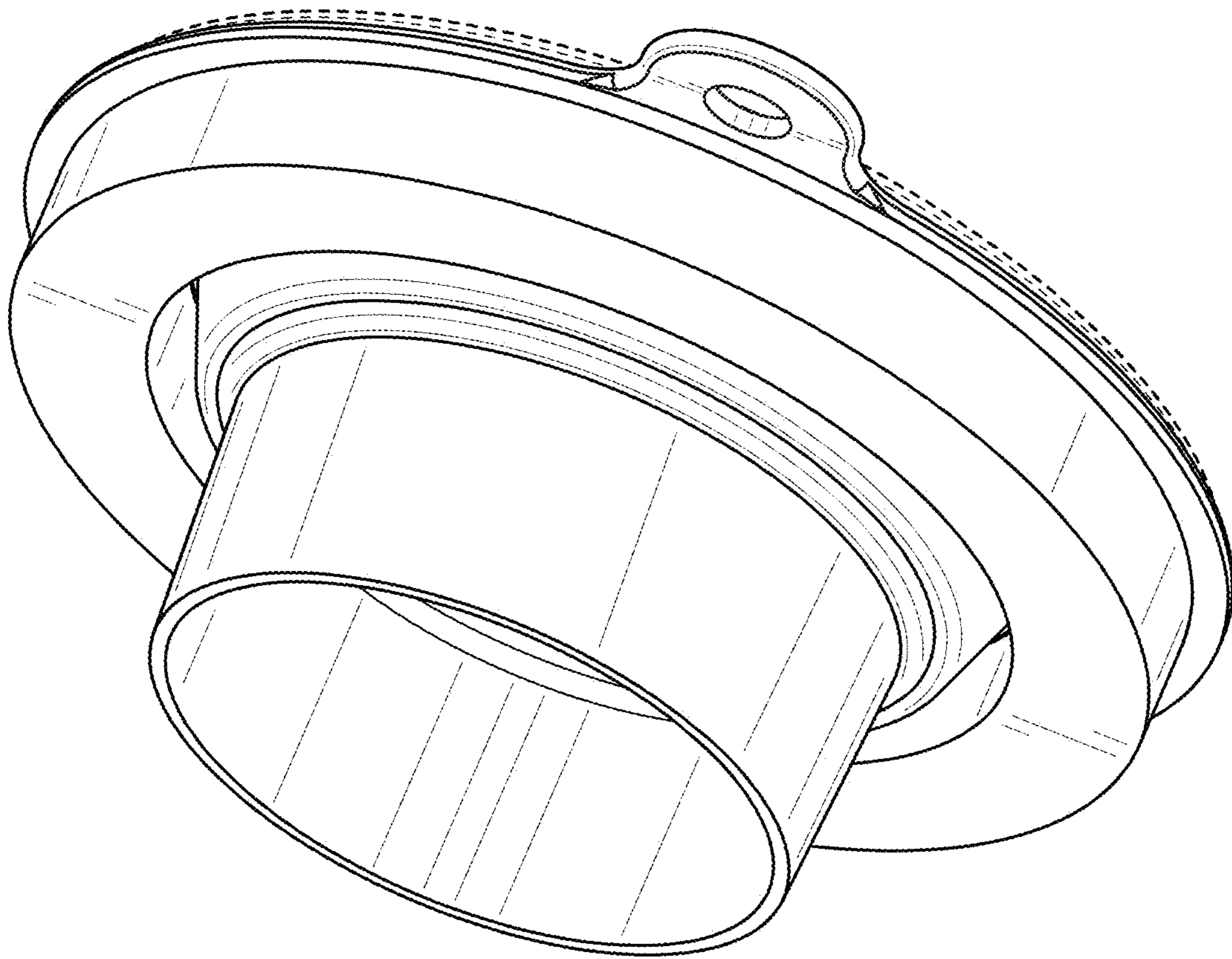


FIG. 3

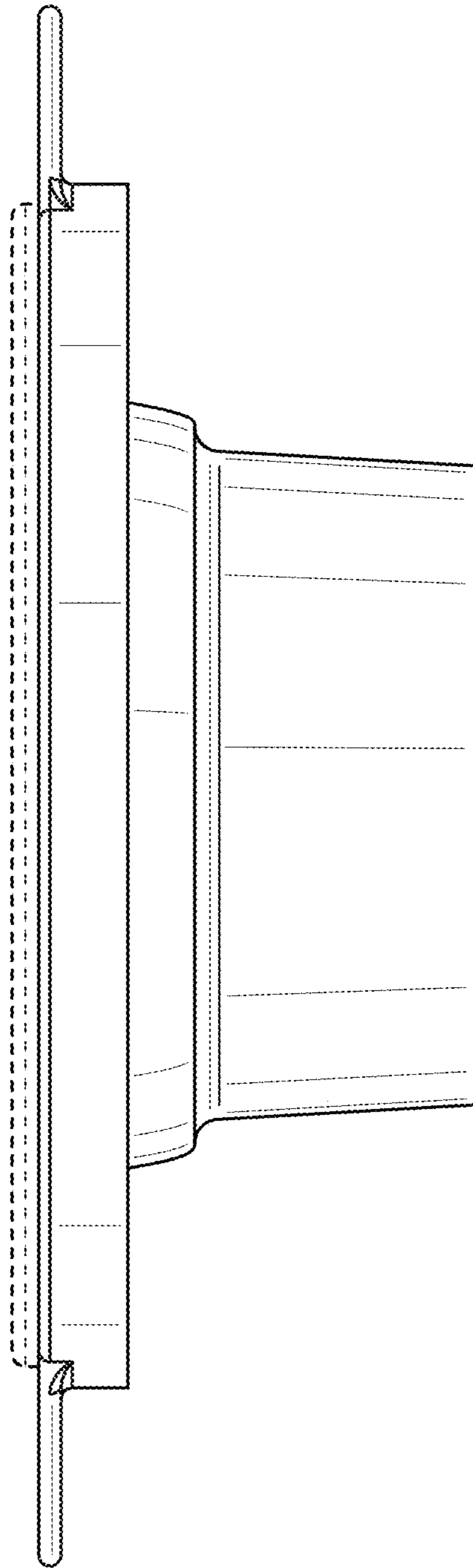


FIG. 4

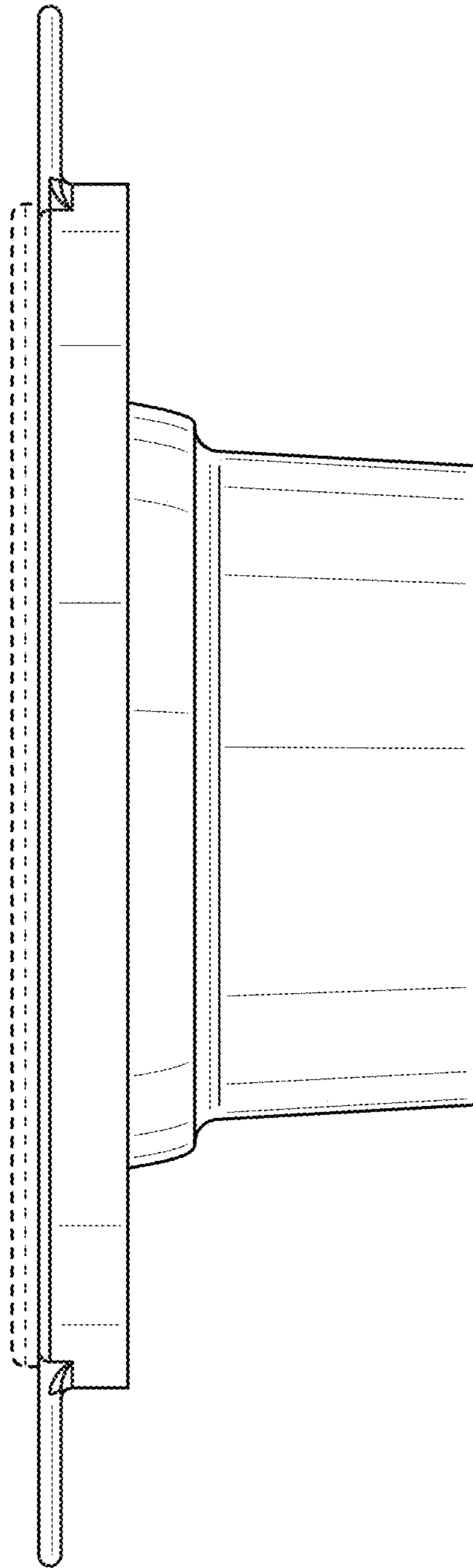


FIG. 5

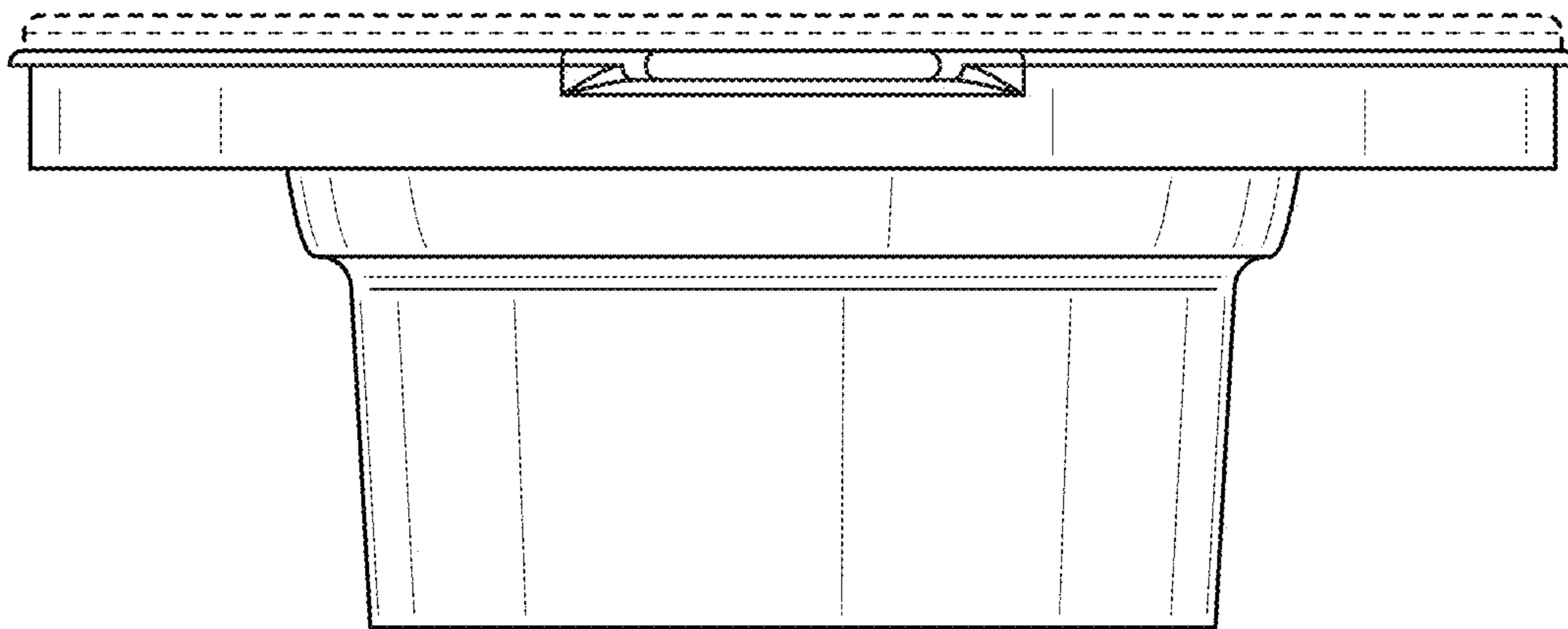


FIG. 6

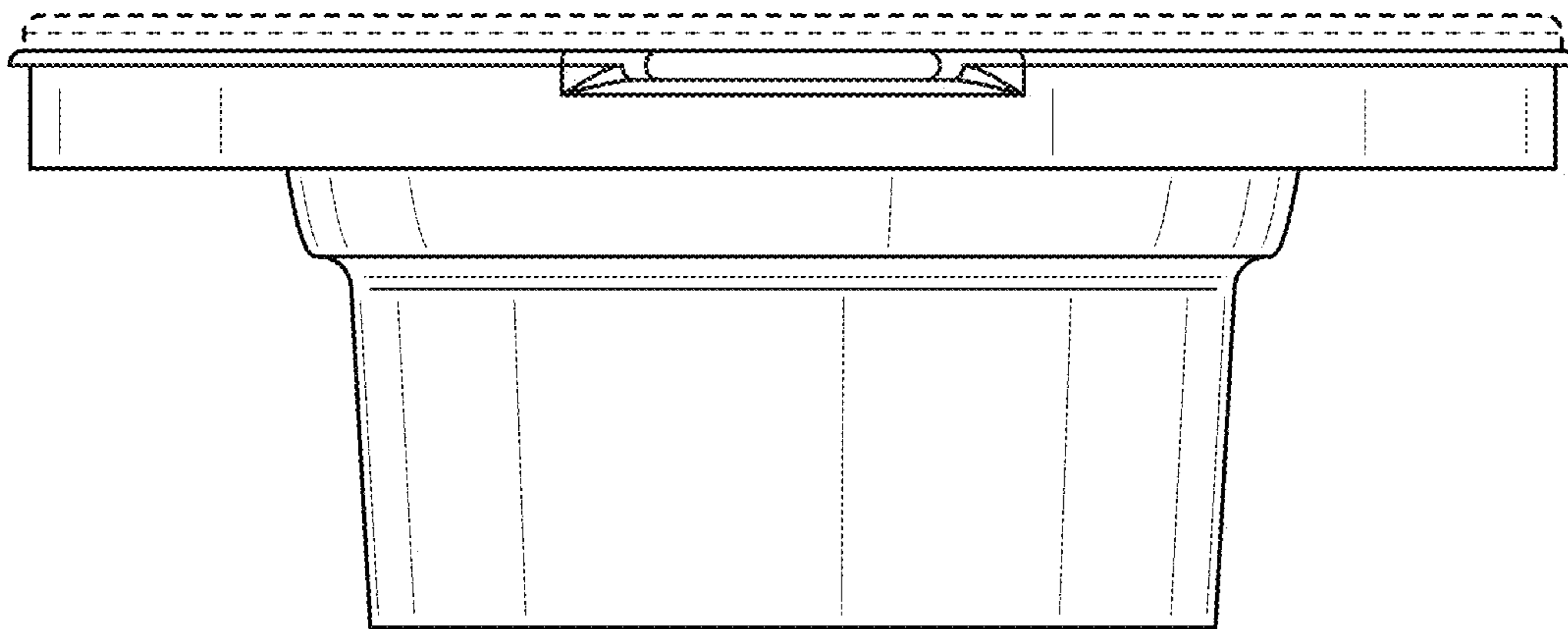


FIG. 7

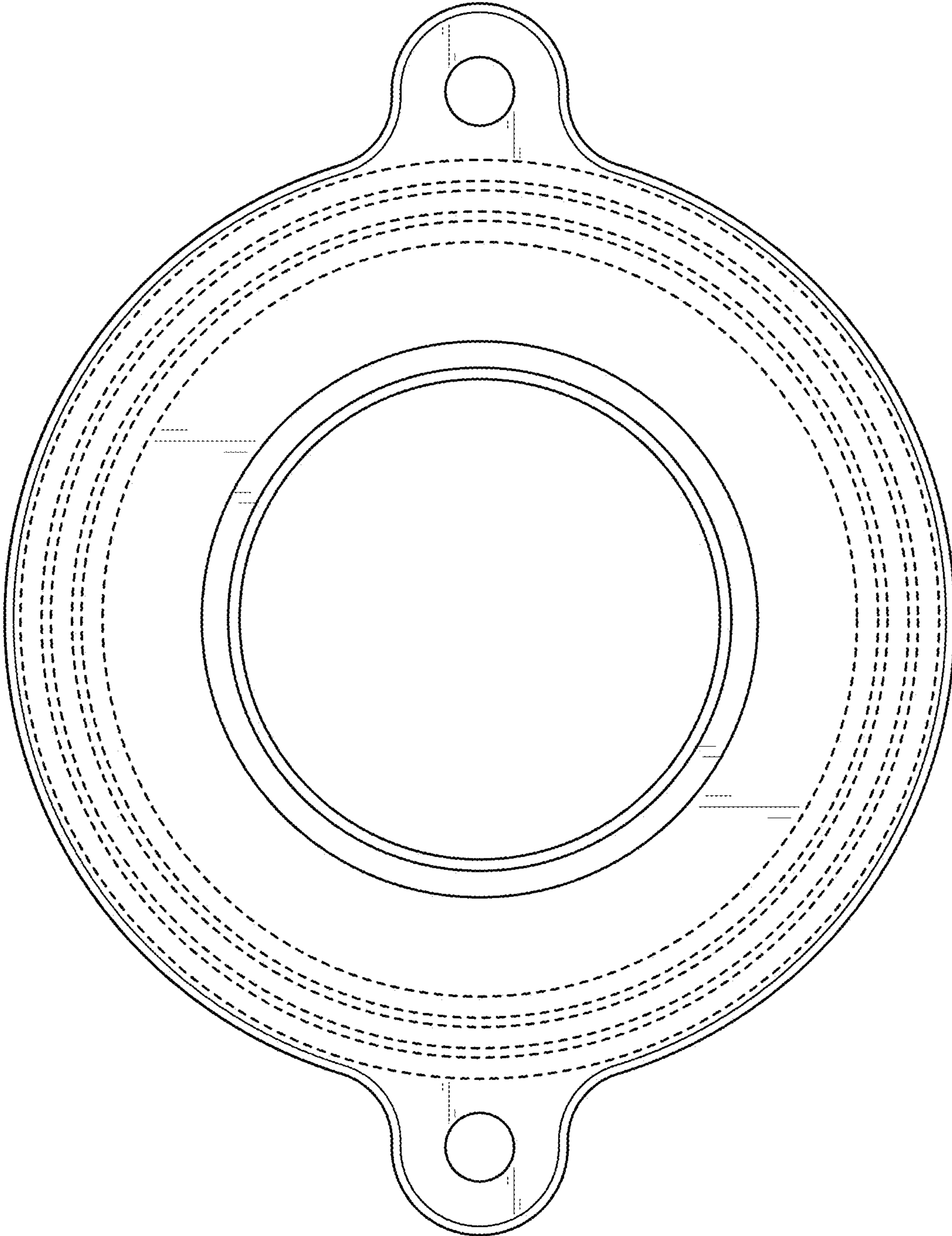


FIG. 8

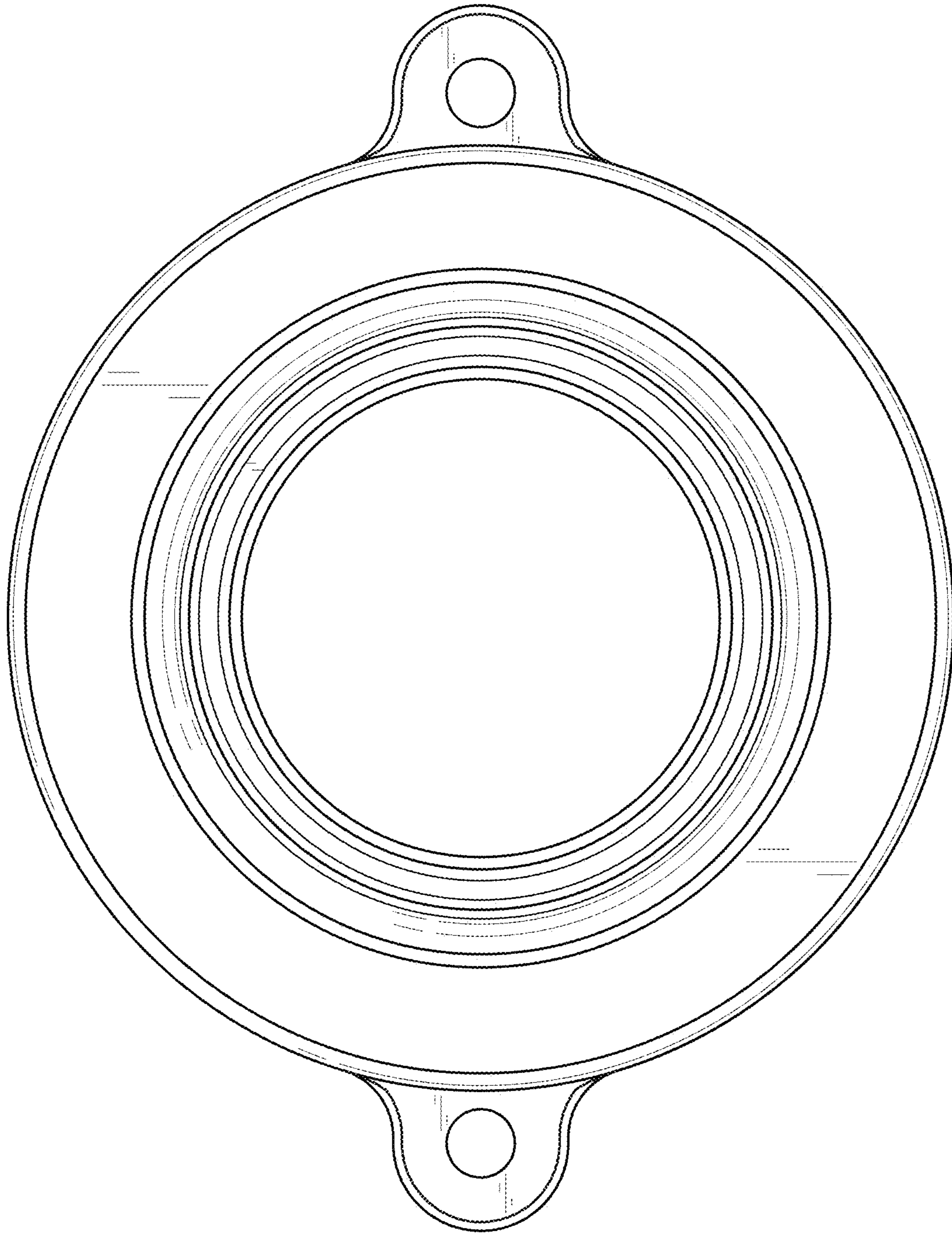


FIG. 9