



US00D927653S

(12) **United States Design Patent** (10) **Patent No.:** **US D927,653 S**  
**Shafer** (45) **Date of Patent:** **\*\* \*Aug. 10, 2021**

(54) **IRRIGATION COUPLING ASSEMBLY**

[https://www.rainforrent.com/wp-content/uploads/2018/08/Pipe.Dragline.Style\\_.Aluminum.pdf](https://www.rainforrent.com/wp-content/uploads/2018/08/Pipe.Dragline.Style_.Aluminum.pdf) (Year: 2018).\*

(71) Applicant: **Daniel Shafer**, Springville, CA (US)

(Continued)

(72) Inventor: **Daniel Shafer**, Springville, CA (US)

*Primary Examiner* — Amy C Wierenga

(\*) Notice: This patent is subject to a terminal disclaimer.

(74) *Attorney, Agent, or Firm* — Sierra IP Law, PC; William K. Nelson

(\*\*) Term: **15 Years**

(57) **CLAIM**

(21) Appl. No.: **29/755,824**

I claim the ornamental design for an irrigation coupling assembly, as shown and described.

(22) Filed: **Oct. 23, 2020**

**Related U.S. Application Data**

**DESCRIPTION**

(63) Continuation of application No. 29/689,004, filed on Apr. 25, 2019, now Pat. No. Des. 914,852, which is (Continued)

(51) **LOC (13) Cl.** ..... **23-01**

(52) **U.S. Cl.**  
USPC ..... **D23/262**

(58) **Field of Classification Search**  
USPC ..... D23/233, 235, 248, 259, 262–266, 268; 137/15.09, 561 A, 614.04; 138/37, 39, (Continued)

FIG. 1 provides a top perspective view of the male and female components of the irrigation coupling assembly showing my new design;

FIG. 2 provides a distal perspective view of the male and female components of the irrigation coupling assembly of the design of FIG. 1;

FIG. 3 provides a proximal bottom perspective view of the male and female components of the irrigation coupling assembly of the design of FIG. 1;

FIG. 4 provides a distal bottom perspective view of the male and female components of the irrigation coupling assembly of the design of FIG. 1;

FIG. 5 provides a top perspective view of the male and female components of the irrigation coupling assembly of the design of FIG. 1;

FIG. 6 provides a proximal perspective view of the male and female components of the irrigation coupling assembly of the design of FIG. 1;

FIG. 7 provides a top plan view of the male and female components of the irrigation coupling assembly of the design of FIG. 1;

FIG. 8 provides a bottom plan view of the male and female components of the irrigation coupling assembly according to the design of FIG. 1;

FIG. 9 provides a first side elevation view of the male and female components of the irrigation coupling assembly of the design of FIG. 1;

(Continued)

(56) **References Cited**

**U.S. PATENT DOCUMENTS**

348,059 A 8/1886 Schroder

943,900 A 12/1909 Smith

(Continued)

**FOREIGN PATENT DOCUMENTS**

CA 707236 A 4/1965

CN 103829883 A 6/2014

(Continued)

**OTHER PUBLICATIONS**

Aluminum, Dragline Pipe PDF, Rain for rent, Retrieved from the internet Jan. 11, 2021; Pdf Uploaded to website on Aug. 2018;

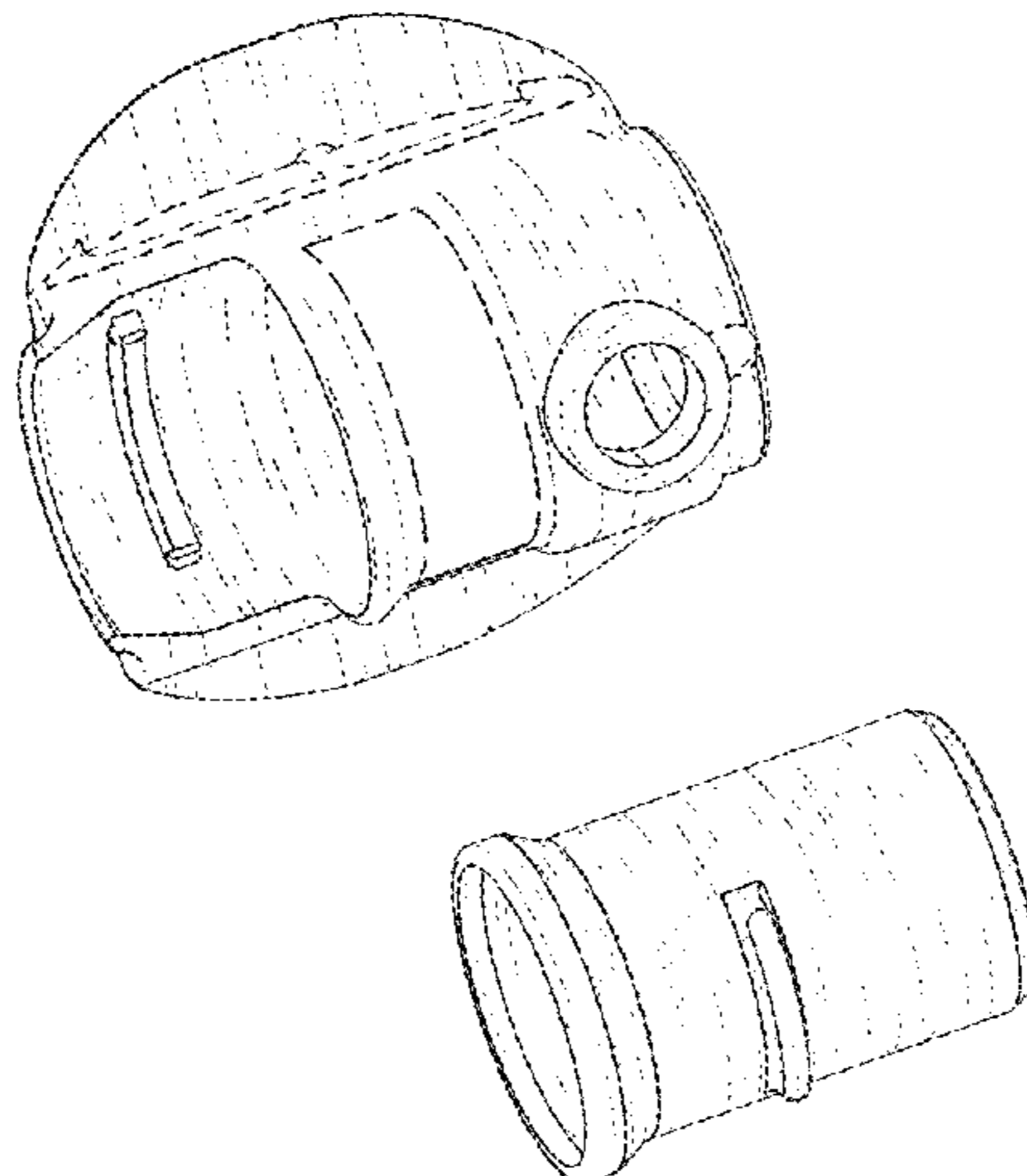


FIG. 10 provides a second side elevation view of the male and female components of the irrigation coupling assembly of the design of FIG. 1;

FIG. 11 provides a distal end axial elevation view of the male and female components of the irrigation coupling assembly of the design of FIG. 1;

FIG. 12 provides a proximal end axial elevation view of the male and female components of the irrigation coupling assembly of the design of FIG. 1;

FIG. 13 provides perspective view of the male and female components of the irrigation coupling assembly of the design of FIG. 1 in axial alignment;

FIG. 14 provides perspective view of the male and female components of the irrigation coupling assembly of the design of FIG. 1, where the male component is axially inserted into the female component; and,

FIG. 15 provides perspective view of the male and female components of the irrigation coupling assembly of the design of FIG. 1, where the male component is axially inserted into the female component and rotated into an interlocking position.

The broken lines shown in in the figures are for the purpose of illustrating portions of the irrigation coupling assembly that form no part of the claimed design.

**1 Claim, 15 Drawing Sheets**

**Related U.S. Application Data**

a continuation-in-part of application No. 29/680,760, filed on Feb. 19, 2019, now abandoned, which is a continuation of application No. 29/672,756, filed on Dec. 7, 2018, now abandoned, application No. 29/755,824, which is a continuation-in-part of application No. 16/243,102, filed on Jan. 9, 2019.

(58) **Field of Classification Search**

USPC ..... 138/44, 109; D24/108, 129; 285/125.1, 285/126.1, 127.2, 129.1, 130.1–131.1, 285/132.1, 148.1, 5–6, 18–20, 27, 29, 61, 285/111, 305, 321

CPC ..... F16L 41/14

See application file for complete search history.

(56) **References Cited**

U.S. PATENT DOCUMENTS

|           |     |         |              |                     |
|-----------|-----|---------|--------------|---------------------|
| 1,572,979 | A   | 2/1921  | Whybrew      |                     |
| 1,525,794 | A   | 4/1922  | Anton        |                     |
| 2,469,538 | A   | 4/1947  | Young        |                     |
| 2,627,429 | A   | 10/1950 | Engelman     |                     |
| 2,921,801 | A   | 3/1955  | Beyer        |                     |
| 2,746,772 | A   | 5/1956  | Race et al.  |                     |
| 2,874,979 | A * | 2/1959  | Shohan       | F16L 37/54<br>285/6 |
| 3,331,620 | A * | 7/1967  | Rickard      | F16L 37/54<br>285/5 |
| 3,362,730 | A   | 1/1968  | Clair et al. |                     |

|              |      |         |                 |                        |
|--------------|------|---------|-----------------|------------------------|
| 3,386,755    | A    | 6/1968  | Miller          |                        |
| 3,425,632    | A *  | 2/1969  | Stout           | B05B 15/622<br>239/267 |
| 3,471,173    | A *  | 10/1969 | Rickard         | F16L 27/127<br>285/6   |
| 3,485,515    | A    | 12/1969 | Frishof         |                        |
| 3,539,206    | A    | 11/1970 | Gheen et al.    |                        |
| 3,642,306    | A    | 2/1972  | Gheen           |                        |
| 3,664,688    | A *  | 5/1972  | De Loach        | F16L 37/54<br>285/6    |
| 3,734,545    | A *  | 5/1973  | Stout           | F16L 37/008<br>285/5   |
| 3,735,928    | A *  | 5/1973  | Watts           | F16L 37/146<br>239/267 |
| 3,866,951    | A    | 2/1975  | DeLoach         |                        |
| 4,135,738    | A *  | 1/1979  | Clements        | F16L 27/087<br>239/734 |
| 4,193,616    | A    | 3/1980  | Sarson et al.   |                        |
| 4,488,572    | A    | 12/1984 | Brown           |                        |
| 4,688,833    | A    | 8/1987  | Todd            |                        |
| 4,722,555    | A    | 2/1988  | Soultatis       |                        |
| 4,850,620    | A    | 7/1989  | Puls            |                        |
| 4,893,848    | A    | 1/1990  | Melcher         |                        |
| 5,451,031    | A    | 9/1995  | Purvis et al.   |                        |
| 5,511,574    | A    | 4/1996  | Macke           |                        |
| 5,511,826    | A    | 4/1996  | Clare et al.    |                        |
| 5,603,508    | A *  | 2/1997  | Dole            | F16L 17/04<br>277/314  |
| 6,231,085    | B1   | 5/2001  | Olson           |                        |
| 6,302,445    | B1   | 10/2001 | Kugele          |                        |
| 6,312,025    | B1   | 11/2001 | Wolfsdorf       |                        |
| 6,343,813    | B1   | 2/2002  | Olson           |                        |
| 6,672,628    | B2   | 1/2004  | Thomas et al.   |                        |
| 7,530,606    | B1   | 5/2009  | Yang            |                        |
| D615,165     | S    | 5/2010  | McAlpine        |                        |
| 8,398,122    | B2   | 3/2013  | Crompton et al. |                        |
| 8,459,698    | B2   | 6/2013  | Magargal        |                        |
| 9,039,047    | B2   | 5/2015  | Imai            |                        |
| 9,074,714    | B2 * | 7/2015  | Clare           | F16L 47/12             |
| D743,446     | S    | 11/2015 | Jones           |                        |
| D744,812     | S *  | 12/2015 | Wilson          | D8/349                 |
| 9,765,913    | B2 * | 9/2017  | Magargal        | F16L 41/14             |
| 2010/0072744 | A1   | 3/2010  | Xie             |                        |
| 2010/0171302 | A1   | 7/2010  | Yoder           |                        |
| 2012/0161433 | A1   | 6/2012  | Magargal et al. |                        |
| 2016/0161038 | A1   | 6/2016  | Crompton et al. |                        |
| 2018/0003325 | A1   | 1/2018  | Margal et al.   |                        |
| 2020/0088335 | A1   | 3/2020  | Shafer          |                        |
| 2020/0224809 | A1   | 7/2020  | Lake            |                        |

FOREIGN PATENT DOCUMENTS

|    |         |    |         |
|----|---------|----|---------|
| DE | 380607  | C  | 9/1923  |
| EP | 0061531 | A1 | 12/1981 |

OTHER PUBLICATIONS

English Abstract of CN103829883A retrieved on Feb. 6, 2019 from: “[https://worldwide.espacenet.com/publicationDetails/originalDocument?CC=CN&NR=103829883A&KC=AFT=D&ND=&date=20140604&DB=&locale="](https://worldwide.espacenet.com/publicationDetails/originalDocument?CC=CN&NR=103829883A&KC=AFT=D&ND=&date=20140604&DB=&locale=)”.

English Translation of Abstract for DE380607C retrieved on Feb. 6, 2019 from: “<https://patents.google.com/patent/DE380607C/en?q=DE380607C>”.

\* cited by examiner

FIG. 1

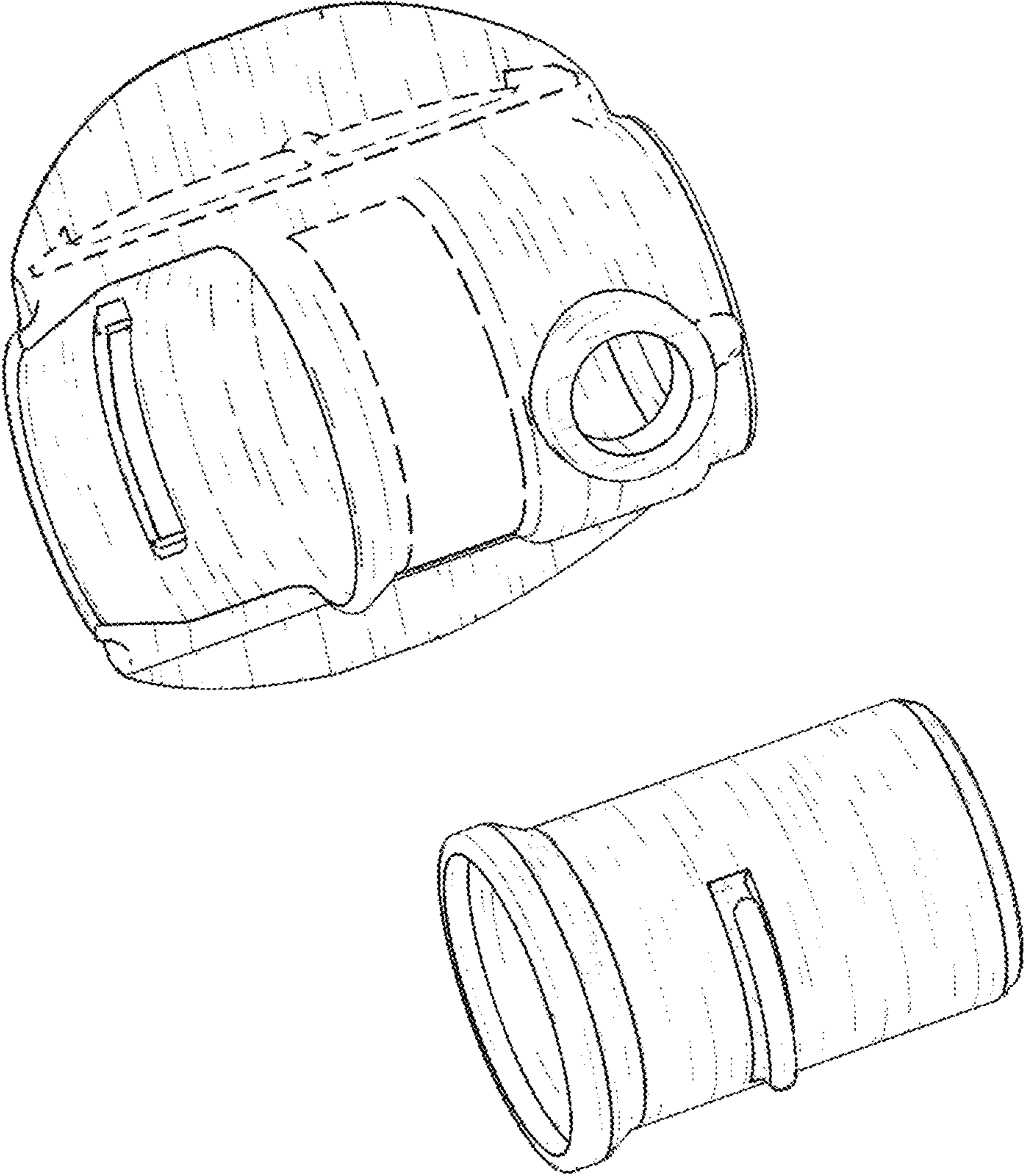


FIG. 2

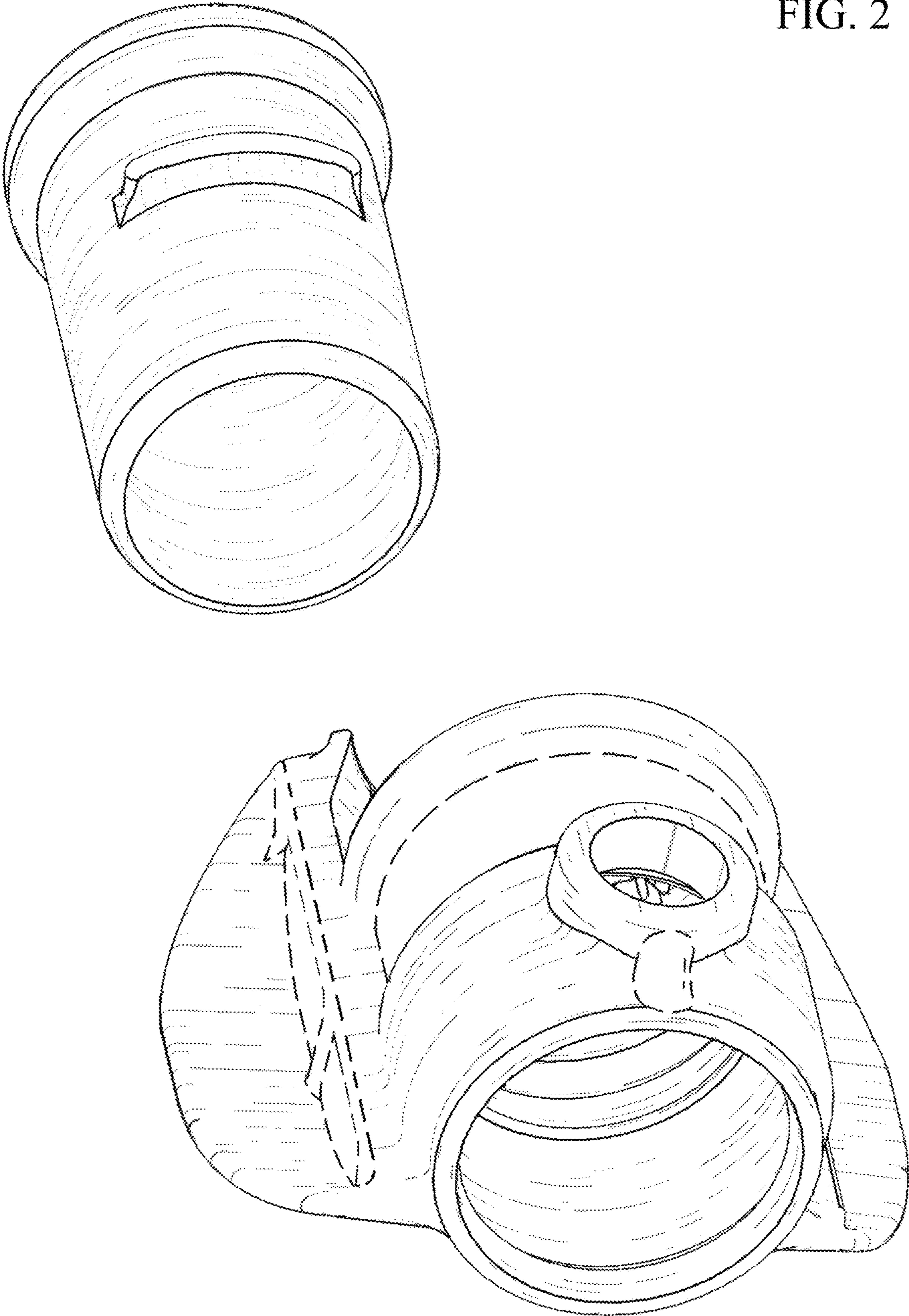


FIG. 3

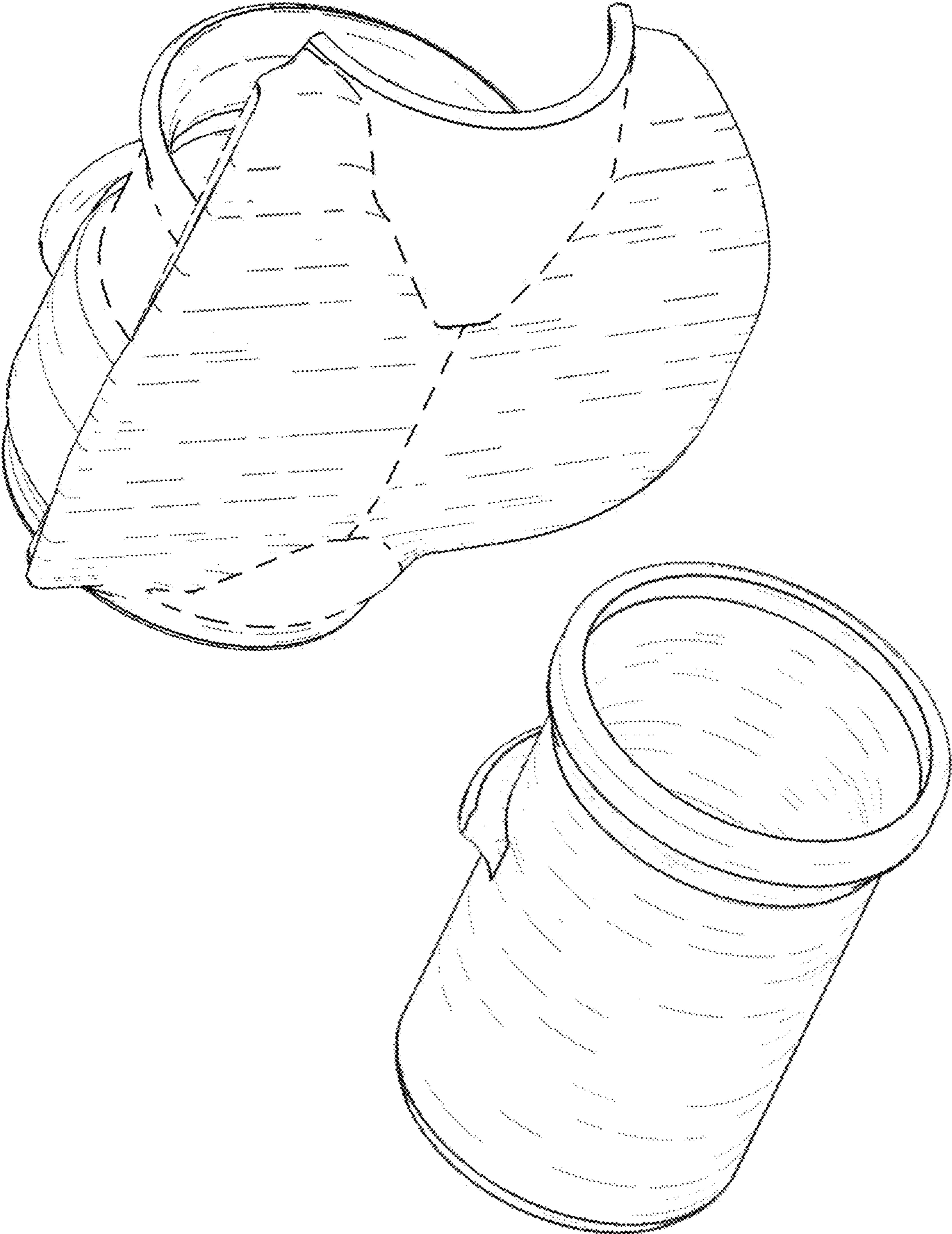


FIG. 4

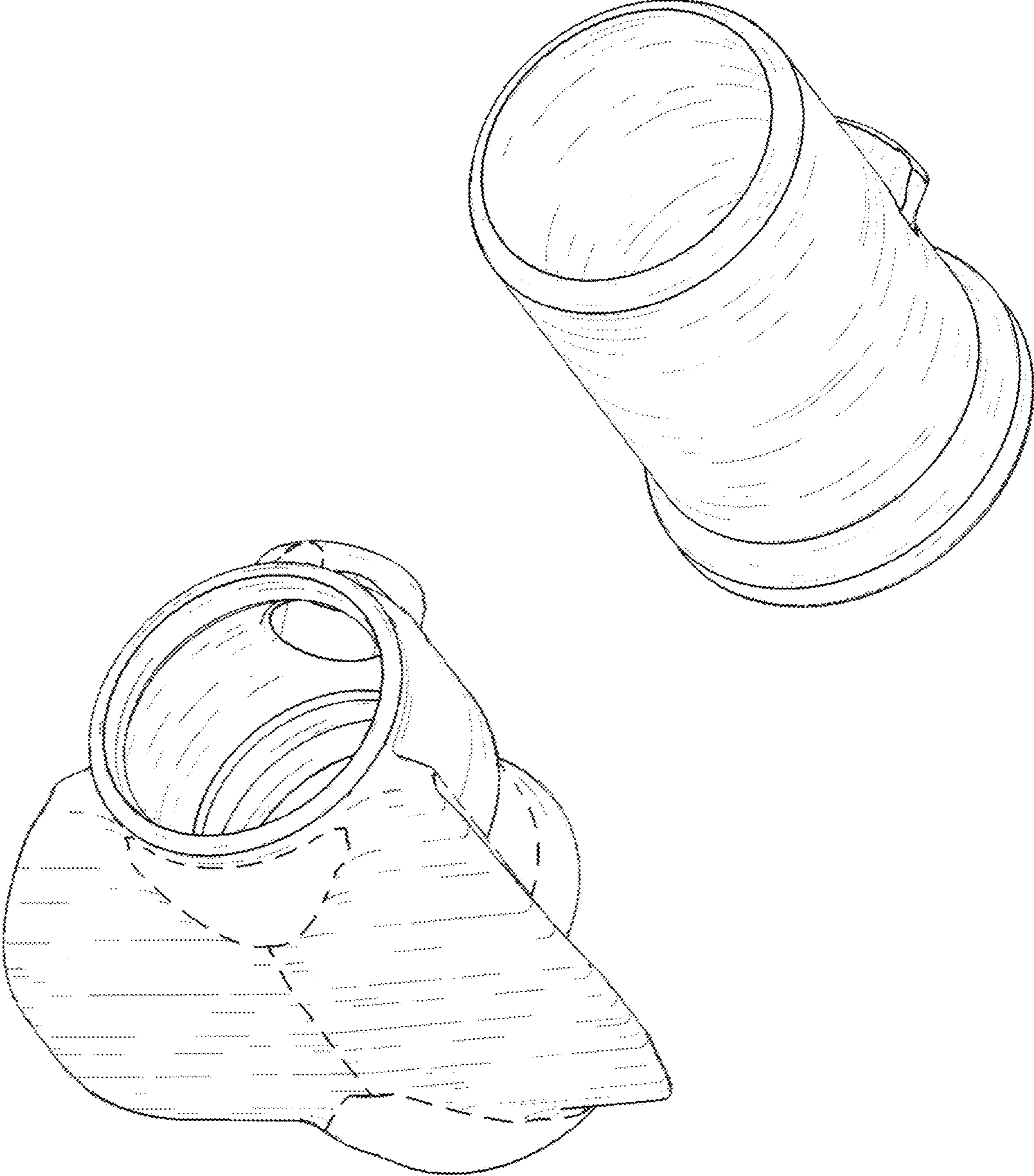
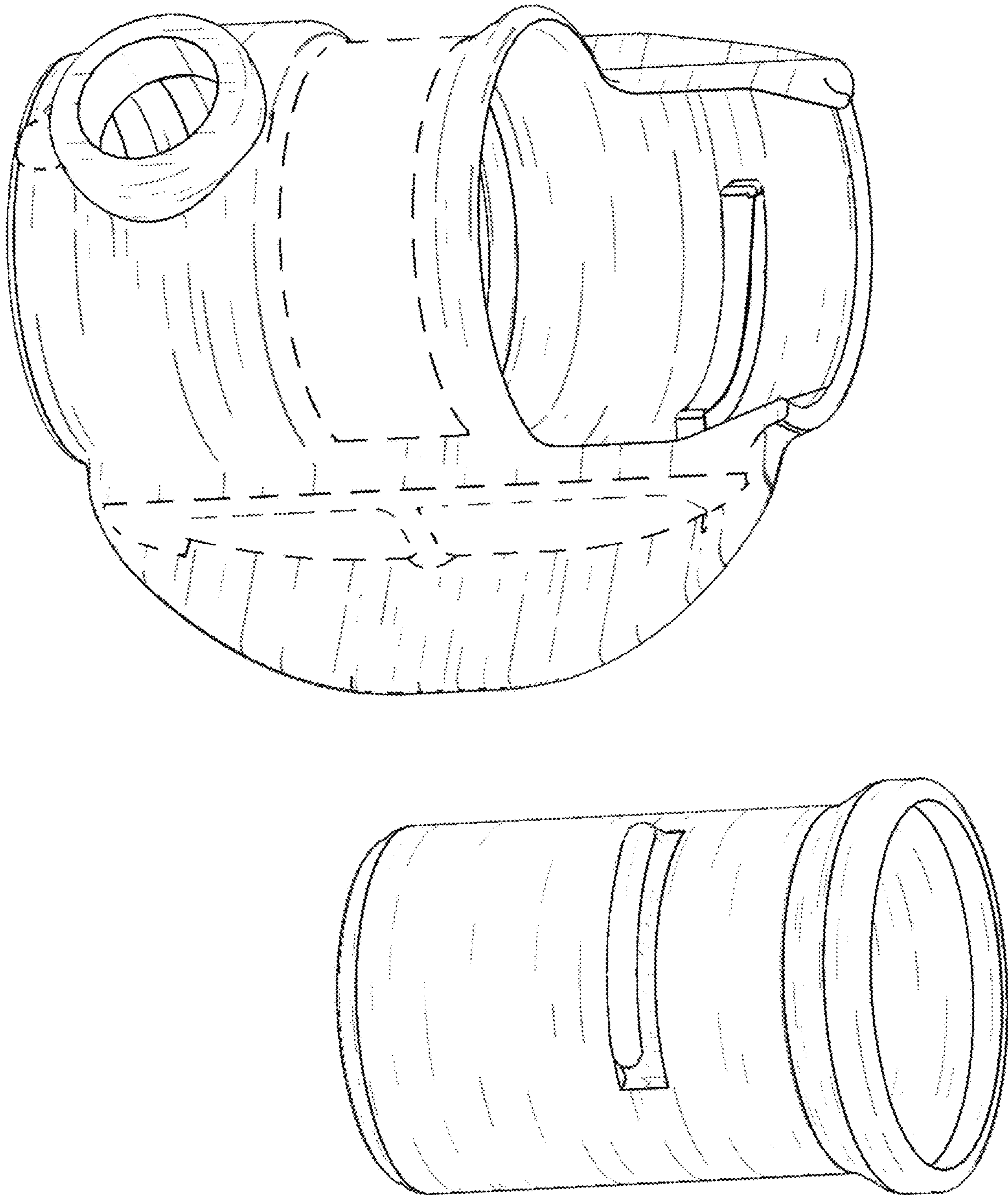


FIG. 5



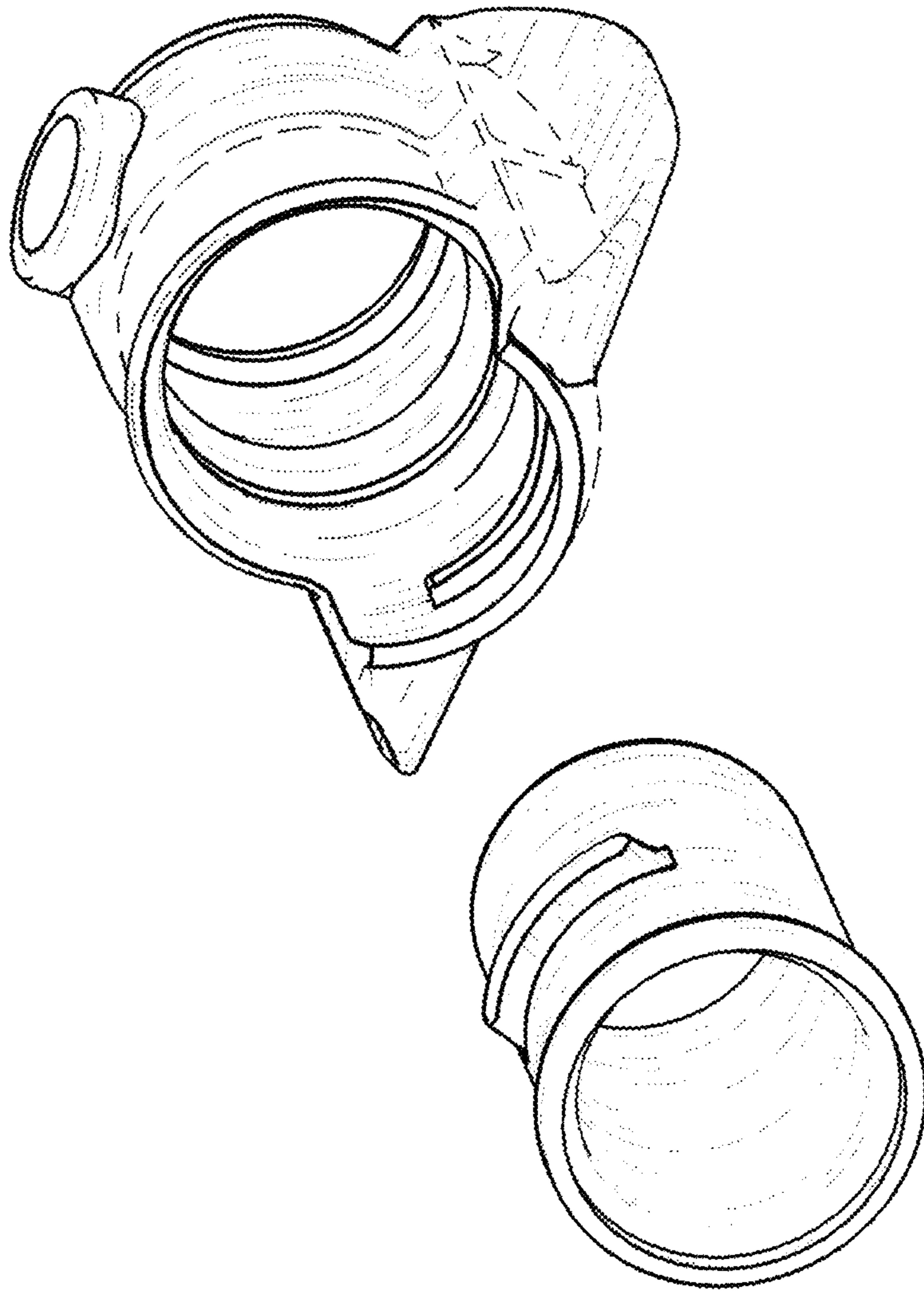


FIG. 6



FIG. 7

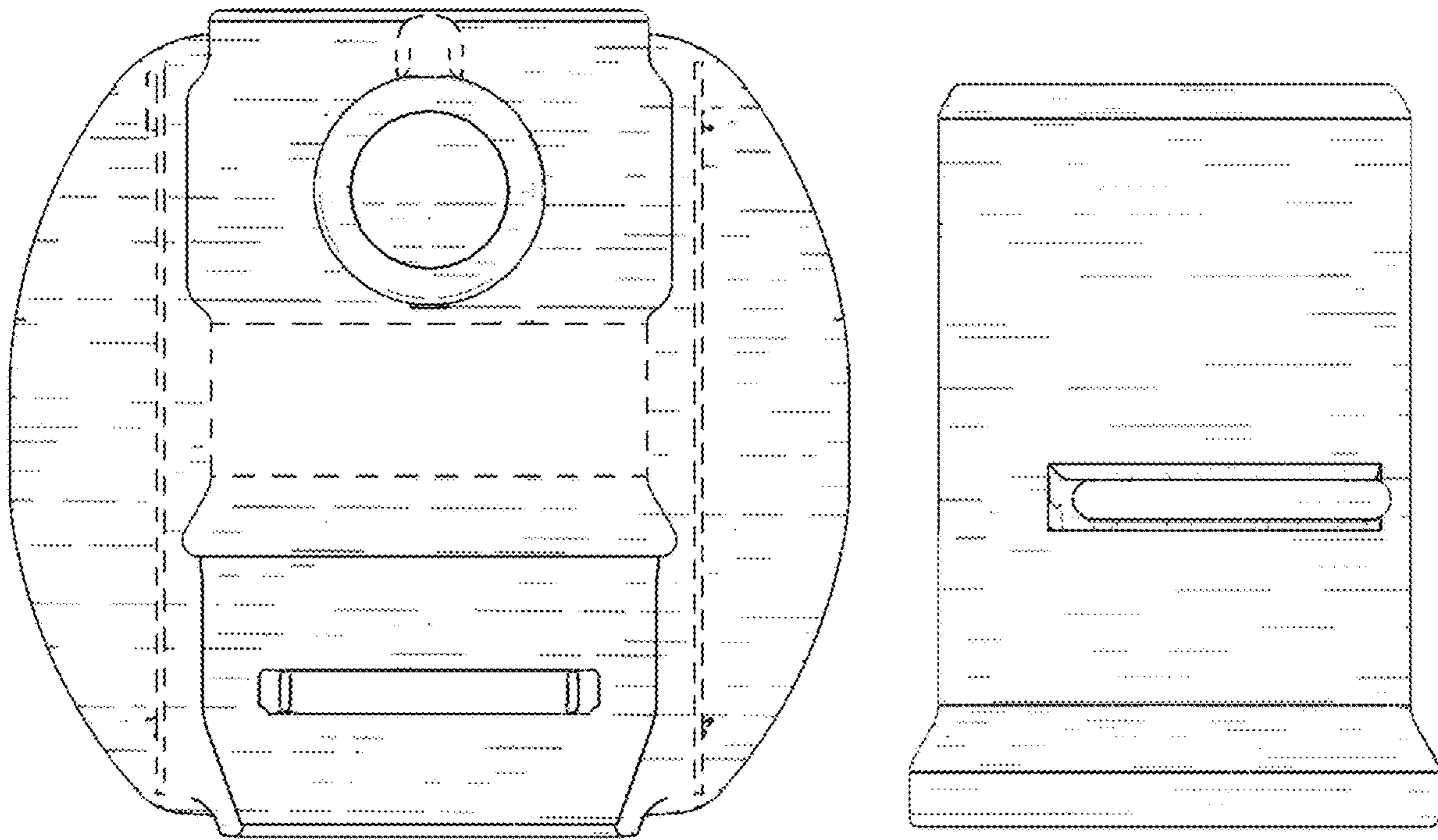


FIG. 8

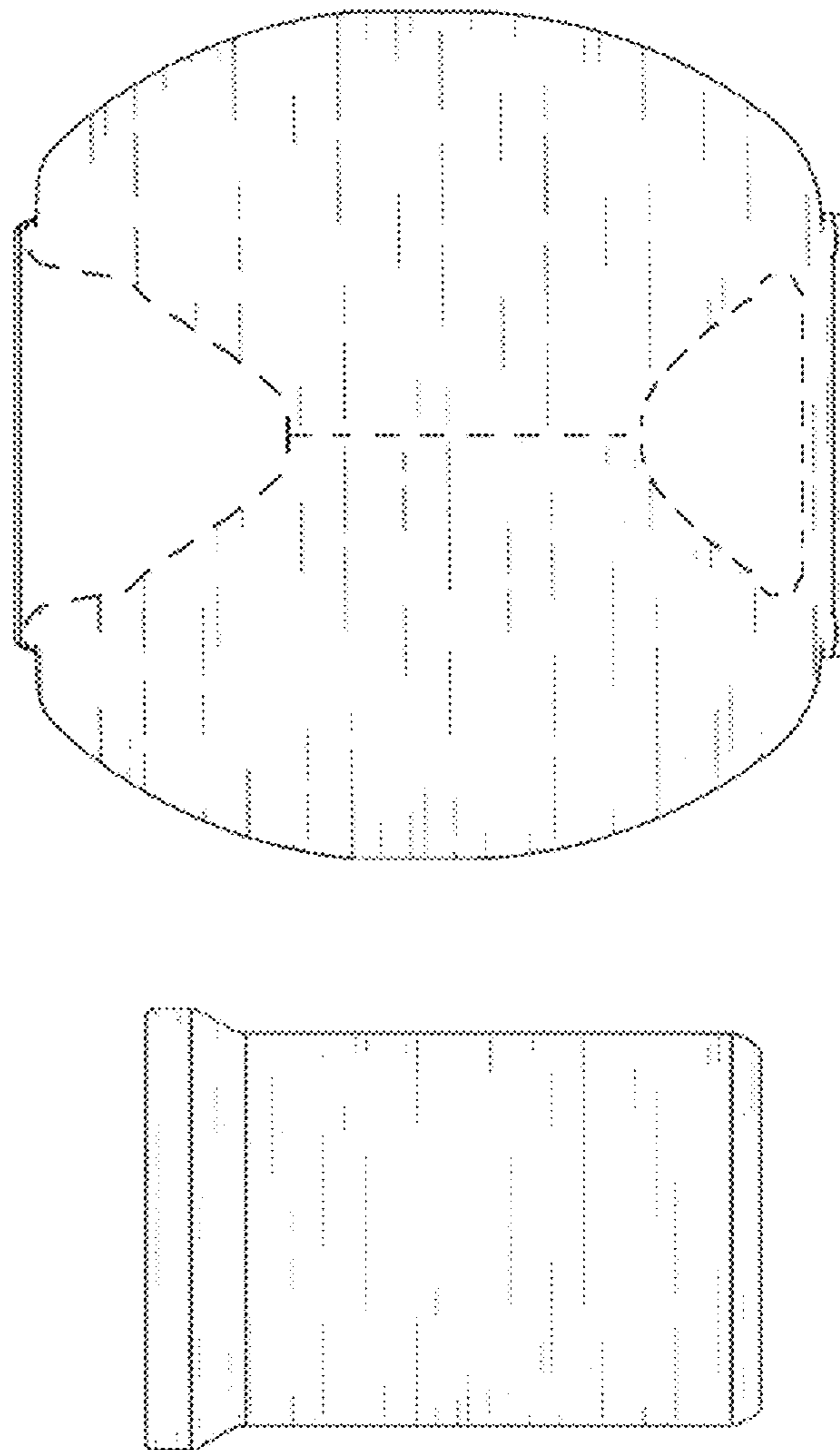


FIG. 9

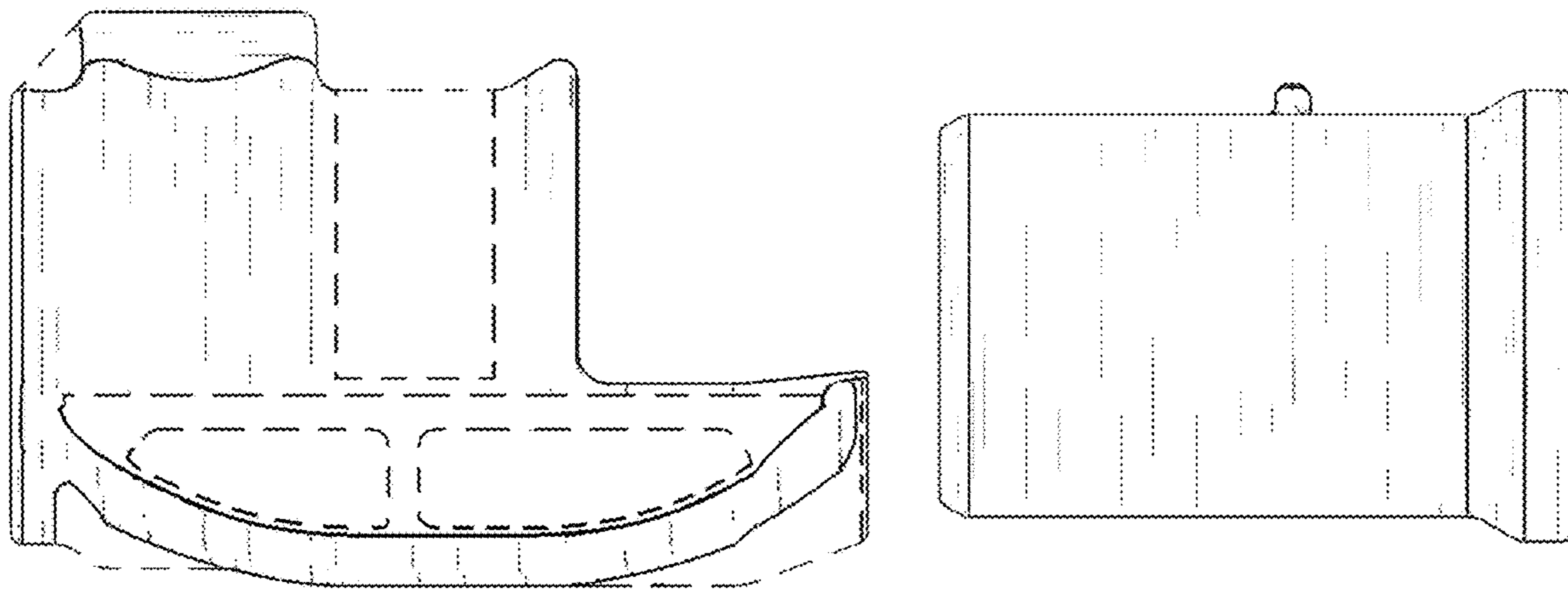


FIG. 10

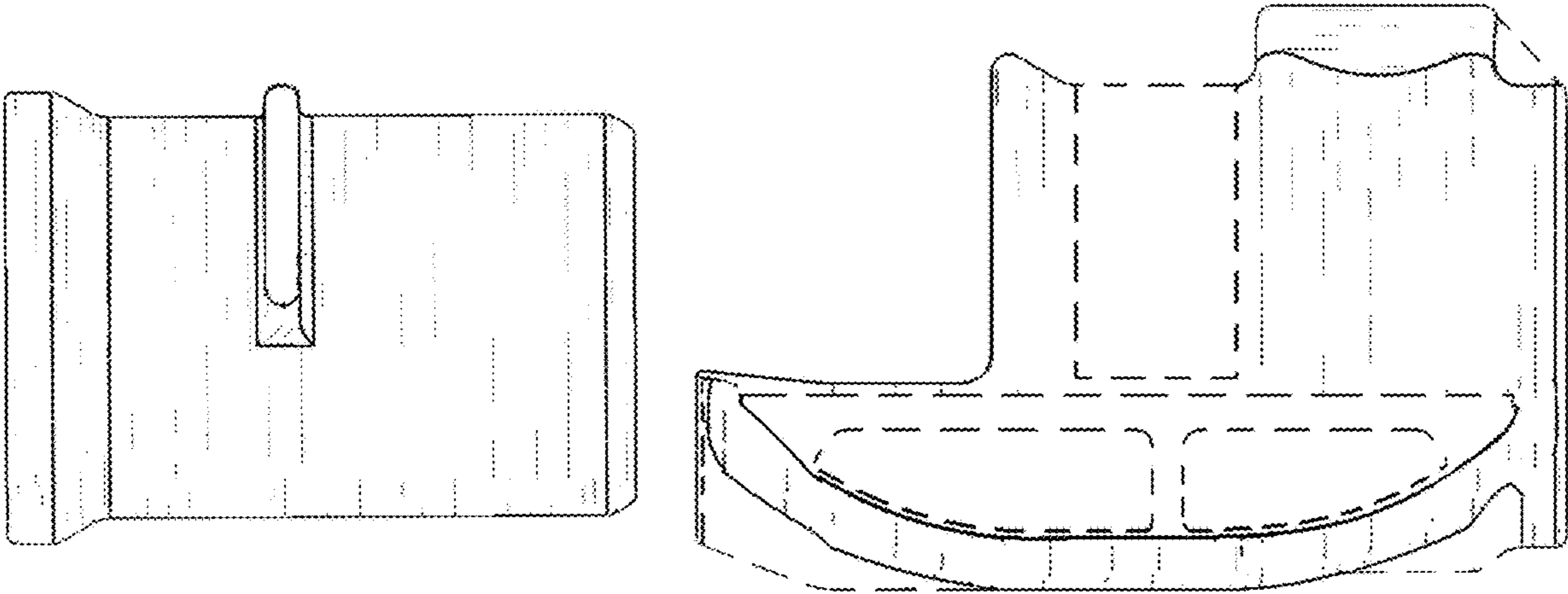


FIG. 11

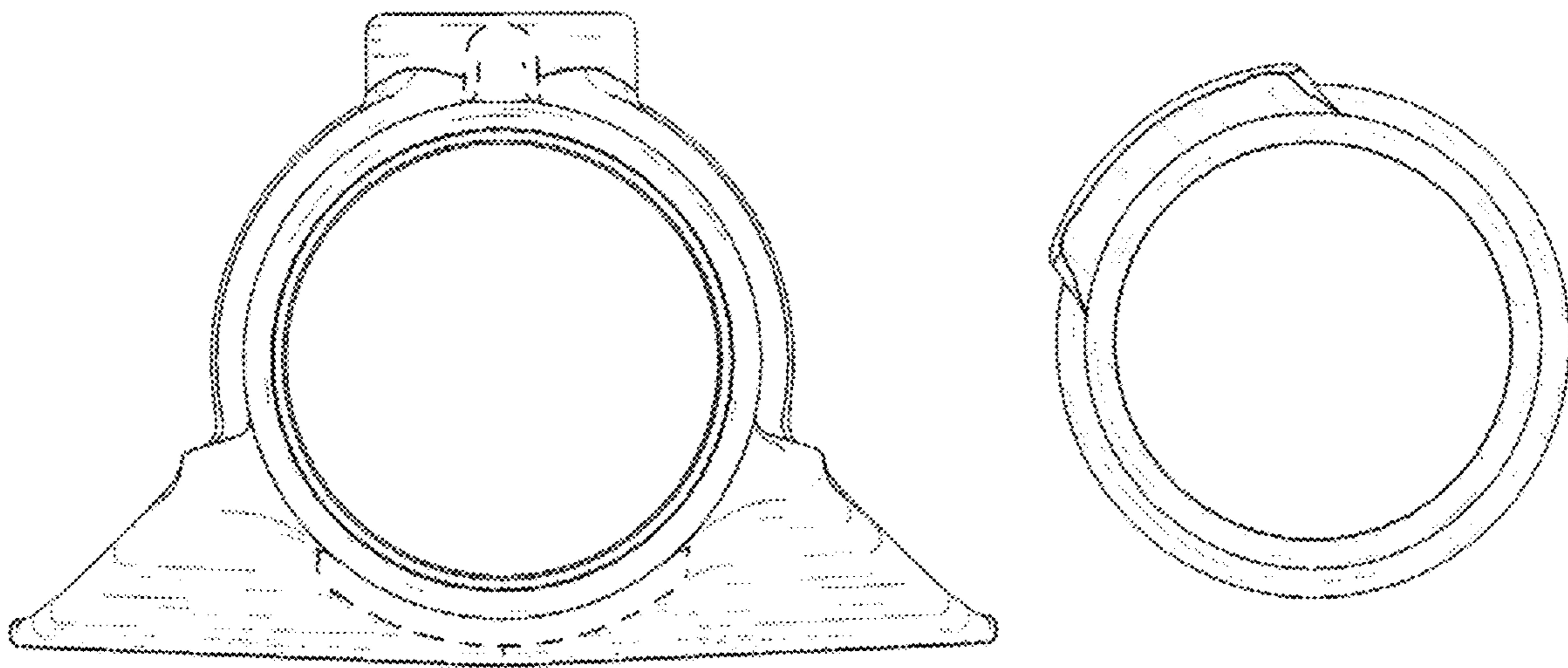


FIG. 12

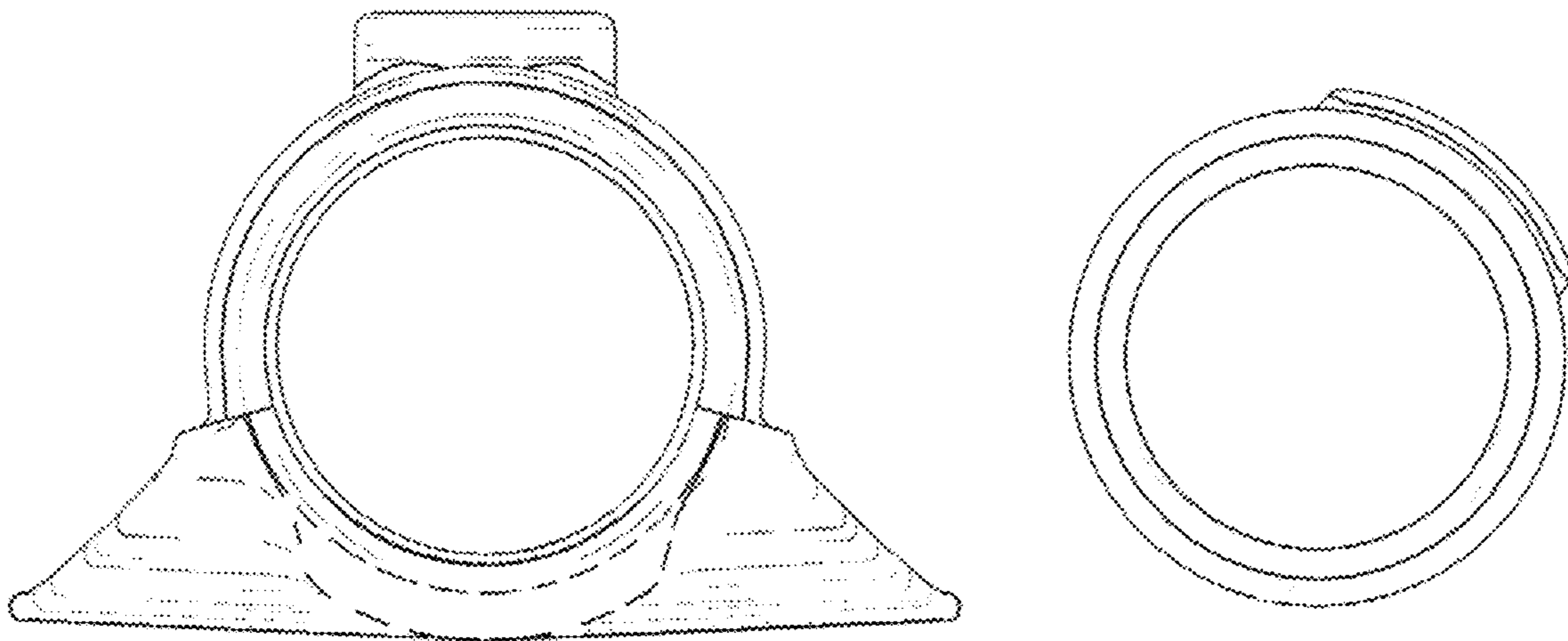


FIG. 13

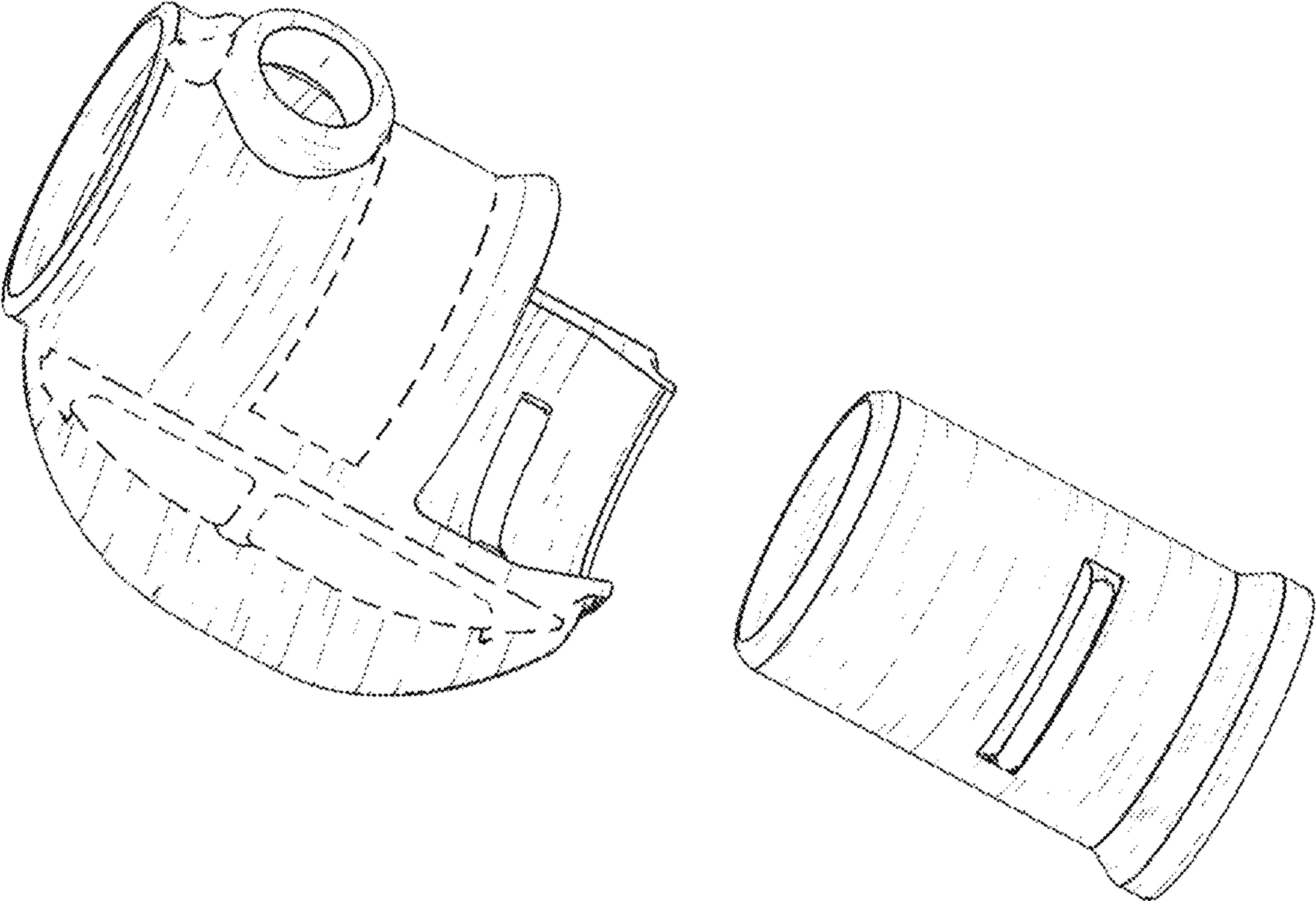


FIG. 14

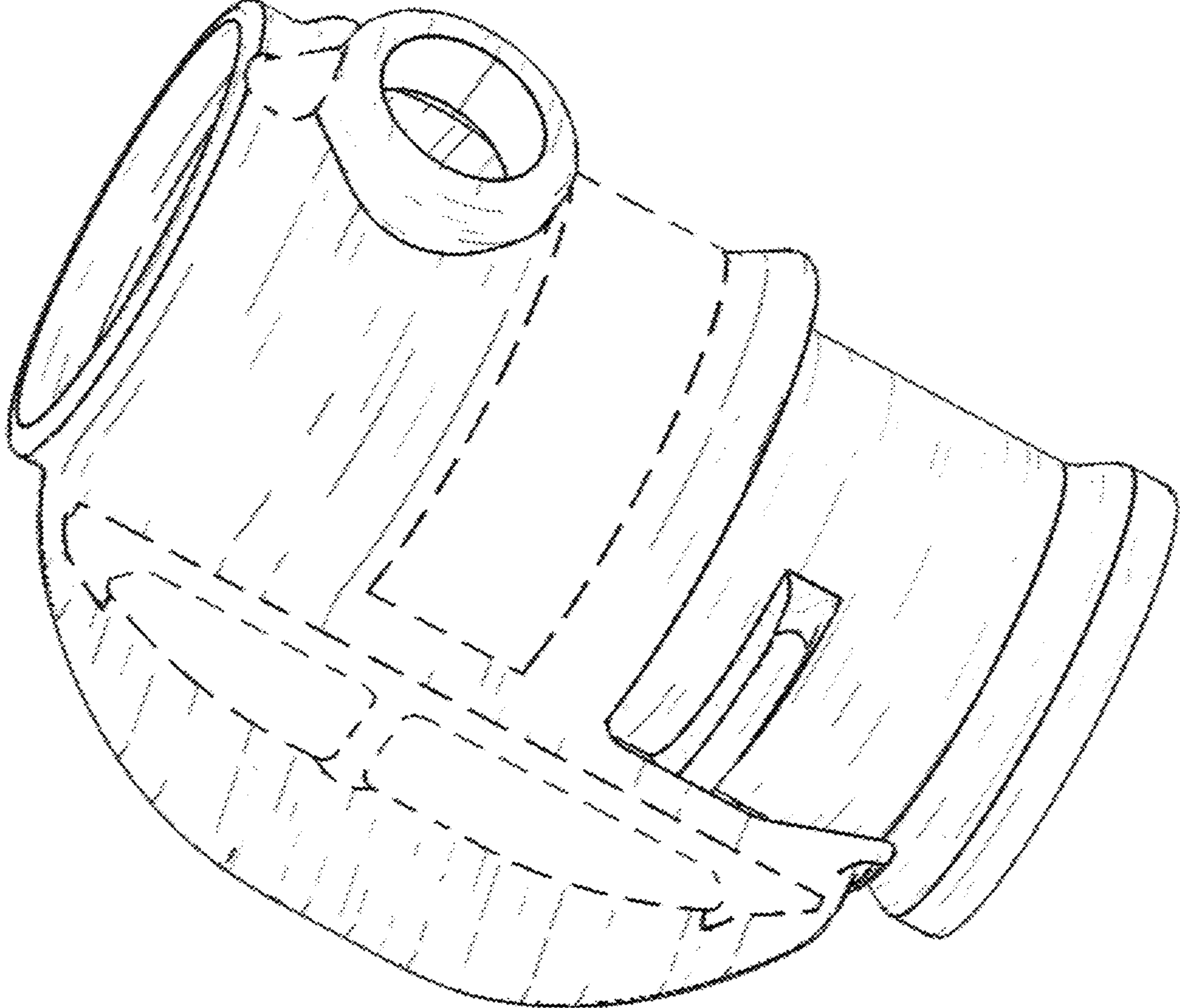




FIG. 15

