



US00D927652S

(12) **United States Design Patent**
Albright et al.

(10) **Patent No.:** **US D927,652 S**

(45) **Date of Patent:** **** Aug. 10, 2021**

(54) **COUPLING SEGMENT**

(71) Applicant: **Victaulic Company**, Easton, PA (US)

(72) Inventors: **Christopher M. Albright**, Allentown, PA (US); **Scott D. Madara**, Nazareth, PA (US); **Amit R. Shah**, Quakertown, PA (US)

(73) Assignee: **Victaulic Company**, Easton, PA (US)

(**) Term: **15 Years**

(21) Appl. No.: **29/739,563**

(22) Filed: **Jun. 26, 2020**

Related U.S. Application Data

(62) Division of application No. 29/685,424, filed on Mar. 28, 2019, now Pat. No. Des. 903,835.

(51) **LOC (13) Cl.** **23-01**

(52) **U.S. Cl.**

USPC **D23/262**

(58) **Field of Classification Search**

USPC D23/262, 265; D8/349, 354, 382, 394, D8/396

CPC F16L 17/04; F16L 17/03; F16L 17/035; F16L 21/06; F16L 21/065; F16L 21/04; F16L 21/08; F16L 17/025; F16L 55/172; F16L 37/091; F16L 25/08; F16B 7/0426

See application file for complete search history.

(56) **References Cited**

U.S. PATENT DOCUMENTS

529,806 A * 11/1894 Rann F16L 21/04
277/621
5,058,931 A * 10/1991 Bowsher F16L 17/04
285/112
6,935,152 B2 * 8/2005 Dole B21D 17/04
72/105

D595,814 S * 7/2009 Pierce D23/262
D607,549 S * 1/2010 Shah D23/262
D608,866 S * 1/2010 Henry D23/262
D608,867 S * 1/2010 Henry D23/262
D612,463 S * 3/2010 Shah D23/262
D613,377 S * 4/2010 Shah D23/262
D614,269 S * 4/2010 Henry D23/262
D629,075 S * 12/2010 Madara D23/262
D629,083 S * 12/2010 Dole D23/262
D629,084 S * 12/2010 Dole D23/262
D633,600 S * 3/2011 Madara D23/262
7,988,207 B2 * 8/2011 Dole F16L 17/04
285/367
D665,059 S * 8/2012 Madara D23/262
D674,060 S * 1/2013 Wilk, Jr. D23/262

(Continued)

Primary Examiner — Holly E Thurman

Assistant Examiner — Ieisha N Price

(74) *Attorney, Agent, or Firm* — Ballard Spahr LLP

(57) **CLAIM**

We claim the ornamental design for a coupling segment, as shown and described.

DESCRIPTION

FIG. 1 is an isometric view of our design for a coupling segment;

FIG. 2 is a front view of the design of the coupling segment shown in FIG. 1;

FIG. 3 is a rear view of the design of the coupling segment shown in FIG. 1;

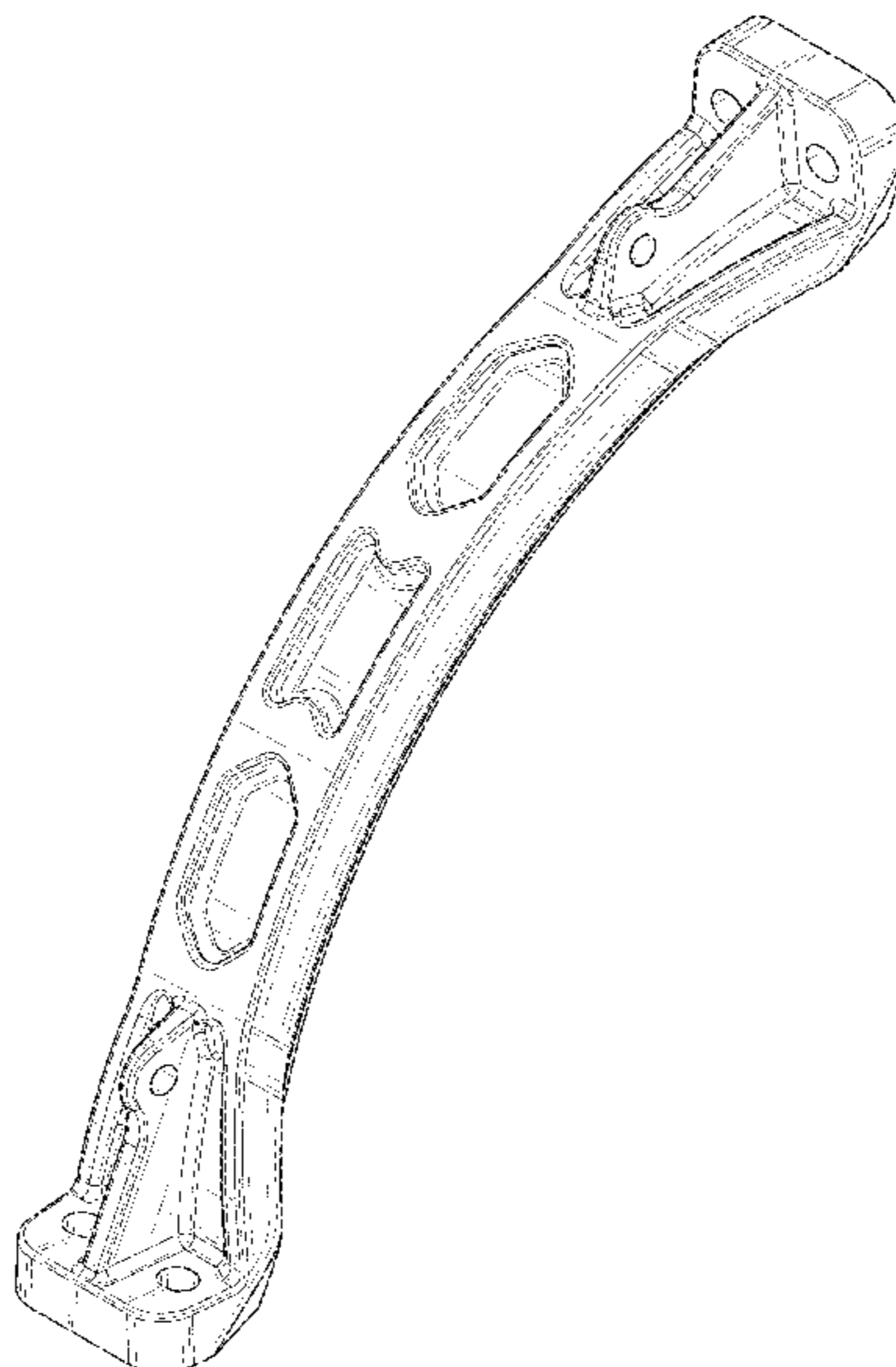
FIG. 4 is a right side view of the design of the coupling segment shown in FIG. 1, the left view being a mirror image thereof;

FIG. 5 is a top view of the design of the coupling segment shown in FIG. 1; and,

FIG. 6 is a bottom view of the design of the coupling segment shown in FIG. 1.

The broken lines in the drawings illustrate portions of the coupling segment and form no part of the claimed design.

1 Claim, 6 Drawing Sheets



(56)

References Cited

U.S. PATENT DOCUMENTS

D674,061	S *	1/2013	Cuvo	D23/262
D674,062	S *	1/2013	Madara	D23/262
D685,884	S *	7/2013	Shah	D23/262
D685,885	S *	7/2013	Shah	D23/262
D685,886	S *	7/2013	Shah	D23/262
D685,887	S *	7/2013	Madara	D23/262
D685,888	S *	7/2013	Madara	D23/262
D685,889	S *	7/2013	Madara	D23/262
D737,412	S *	8/2015	Yesavage	D23/262
D750,957	S *	3/2016	Cuvo	D8/396
D753,272	S *	4/2016	Marsicano	D23/262
D754,307	S *	4/2016	Dole	D23/262
D755,621	S *	5/2016	Madara	D8/396
D756,212	S *	5/2016	Wilk, Jr.	D8/396
D767,103	S *	9/2016	Sewell	D23/262
9,631,759	B2 *	4/2017	Chase	F16L 27/12751
D819,435	S *	6/2018	Bancroft	D8/396
D820,074	S *	6/2018	Huettemann	D8/394
D820,076	S *	6/2018	Ramirez	D8/396
10,190,707	B2 *	1/2019	Brandt	B21D 1/00
D873,651	S *	1/2020	Bancroft	D8/395
D875,221	S *	2/2020	Huettemann	D23/262
10,550,971	B2 *	2/2020	Madara	F16L 21/06
D903,833	S *	12/2020	Albright	D23/262
D903,834	S *	12/2020	Albright	D23/262
D903,835	S *	12/2020	Albright	D23/262
2015/0176728	A1 *	6/2015	Bowman	F16L 17/04 285/309
2019/0331265	A1 *	10/2019	Bowman	F16L 17/04

* cited by examiner

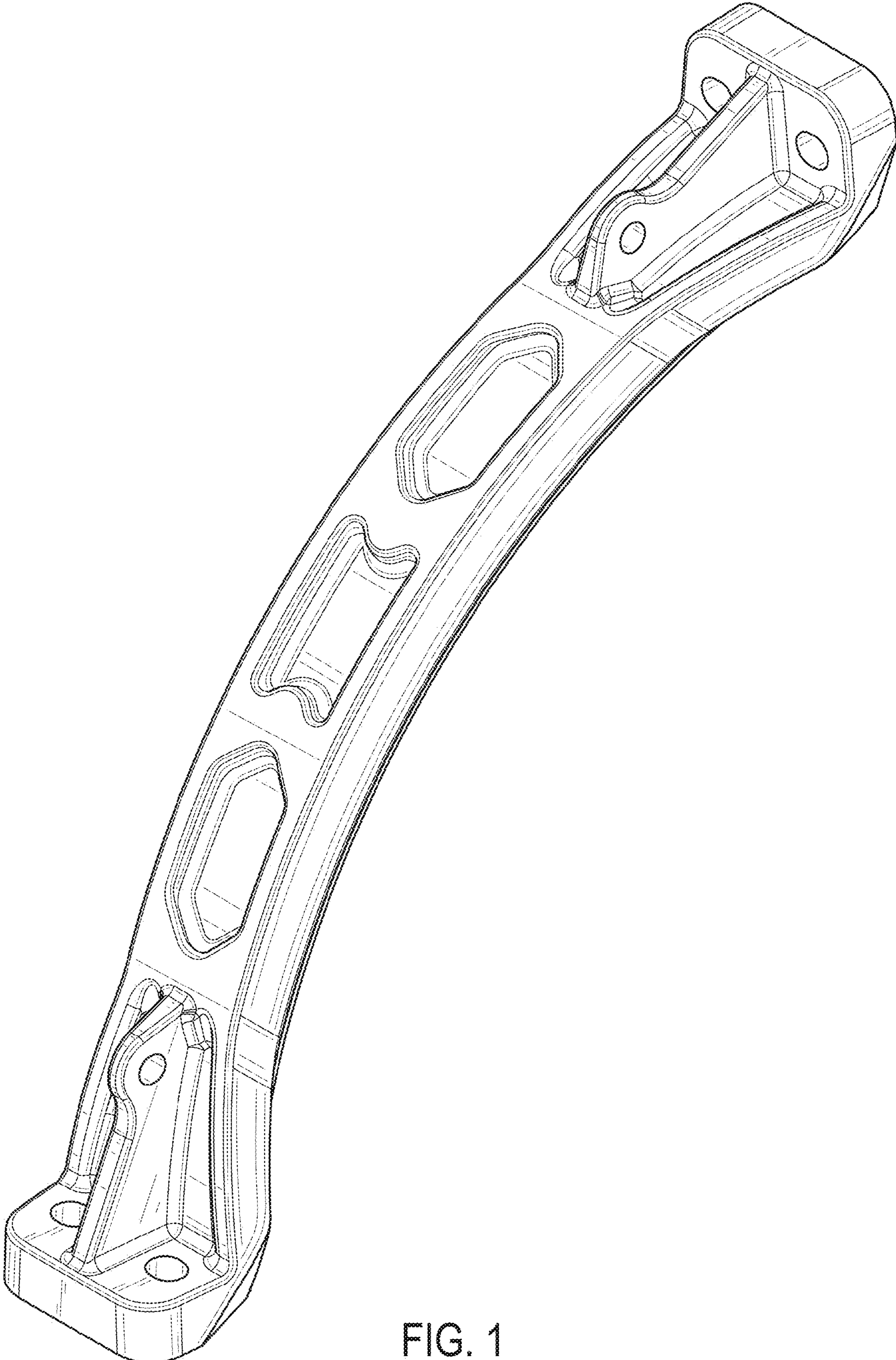


FIG. 1

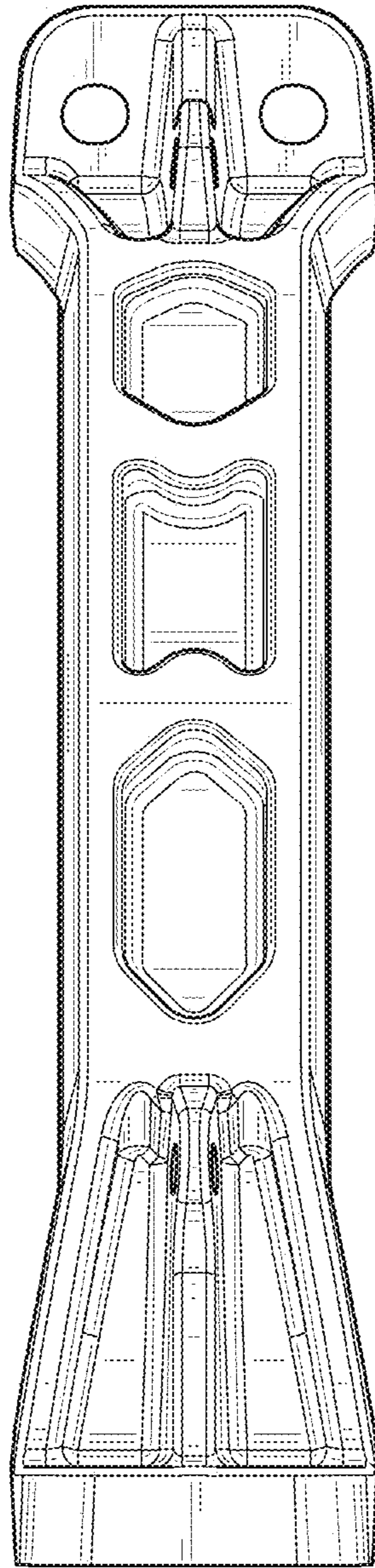


FIG. 2

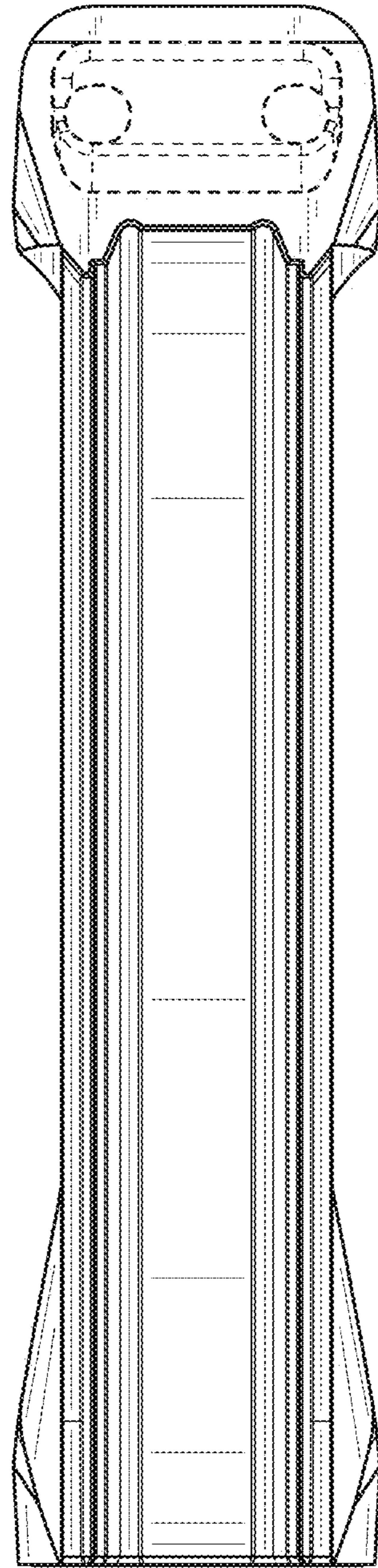


FIG. 3

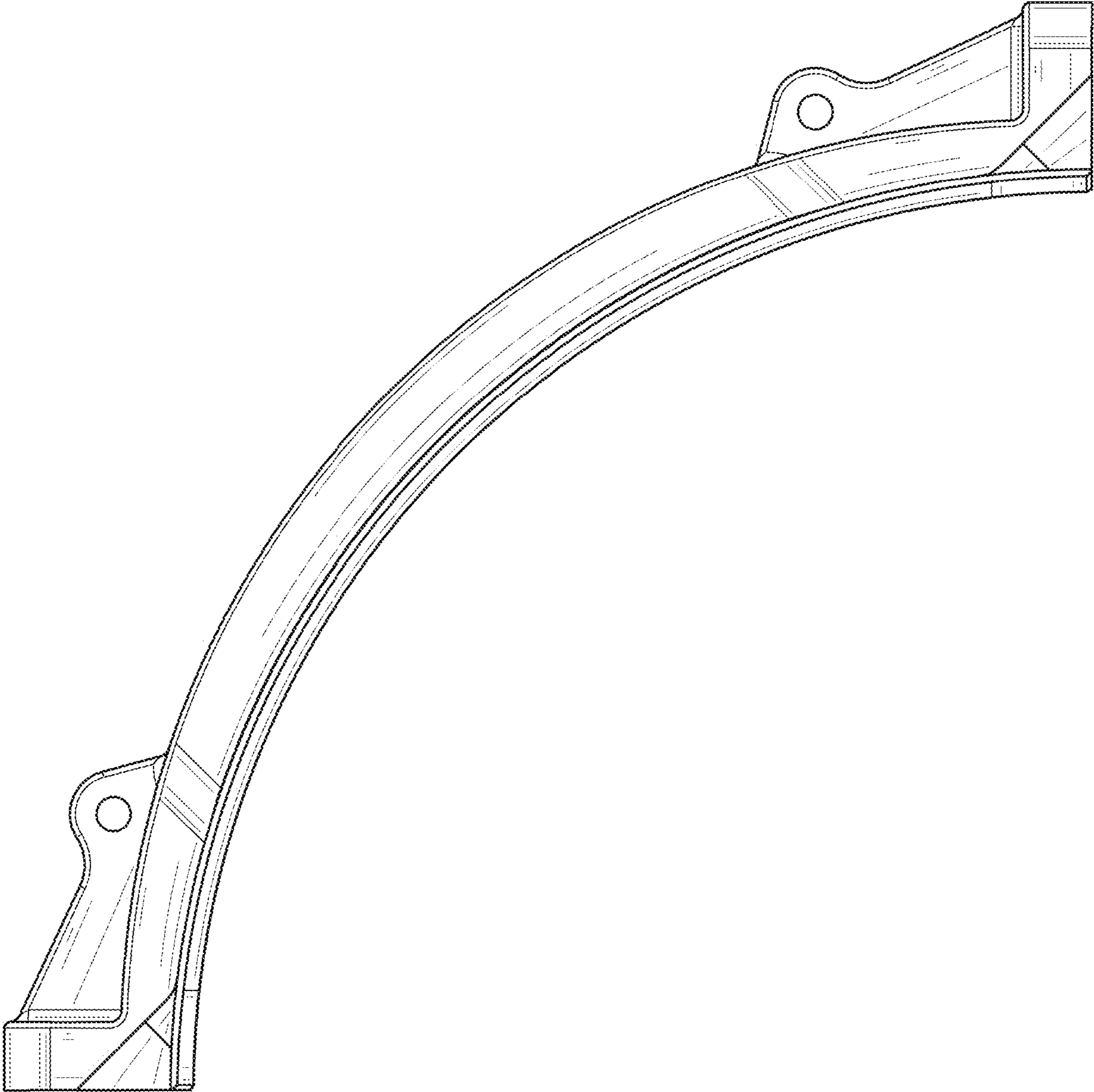


FIG. 4

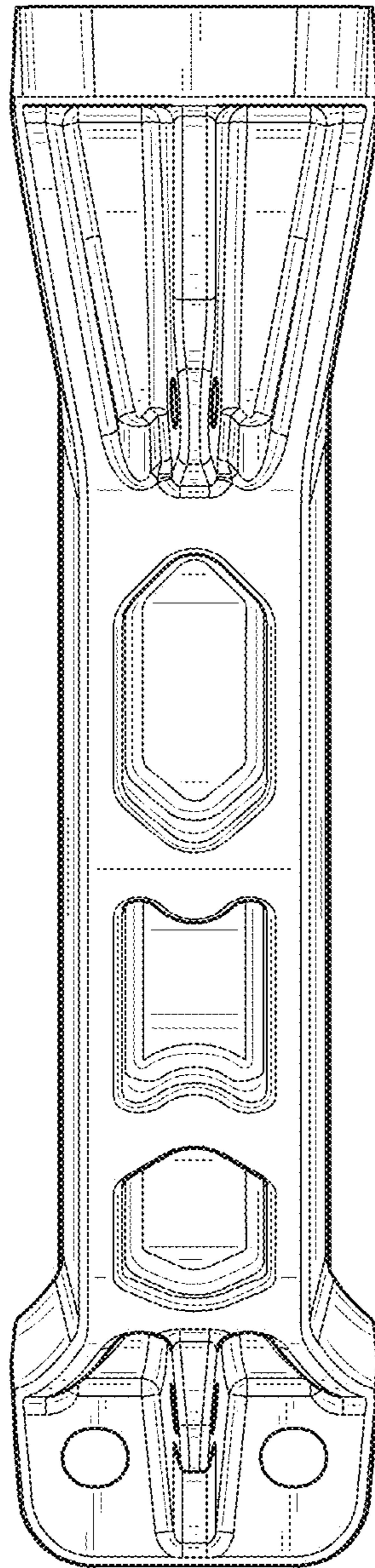


FIG. 5

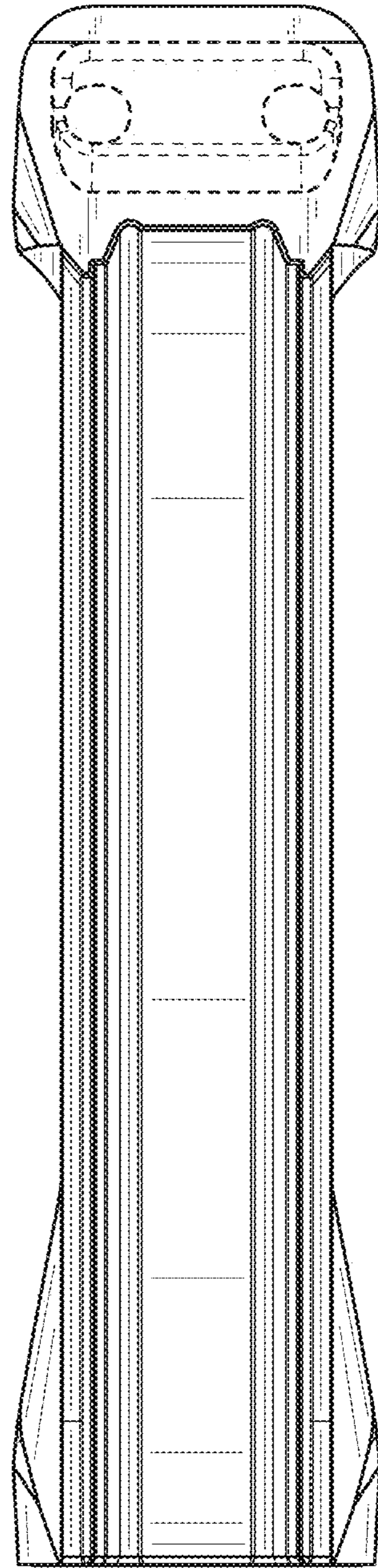


FIG. 6