



US00D927649S

(12) **United States Design Patent**
Garland

(10) **Patent No.:** **US D927,649 S**

(45) **Date of Patent:** **** Aug. 10, 2021**

(54) **TUB SPOUT**

D800,274 S * 10/2017 Andrew D23/255
D800,275 S * 10/2017 Andrew D23/257

(71) Applicant: **DELTA FAUCET COMPANY**,
Indianapolis, IN (US)

* cited by examiner

(72) Inventor: **Celine Kwok Garland**, Zionsville, IN
(US)

Primary Examiner — Robert A Delehanty

(74) *Attorney, Agent, or Firm* — Nirav D. Parikh; Edgar
A. Zarins

(73) Assignee: **DELTA FAUCET COMPANY**,
Indianapolis, IN (US)

(**) Term: **15 Years**

(57) **CLAIM**

(21) Appl. No.: **29/687,362**

The ornamental design for a tub spout, as shown and
described.

(22) Filed: **Apr. 12, 2019**

(51) **LOC (13) Cl.** **23-01**

(52) **U.S. Cl.**

USPC **D23/255**

(58) **Field of Classification Search**

USPC D23/255, 257, 238–243

CPC E03C 1/042

See application file for complete search history.

DESCRIPTION

FIG. 1 is a front perspective view of a tub spout showing my
new design;

FIG. 2 is a rear perspective view thereof;

FIG. 3 is a front elevational view thereof;

FIG. 4 is a left side view thereof;

FIG. 5 is a rear view thereof;

FIG. 6 is a right side view thereof;

FIG. 7 is a top plan view thereof; and,

FIG. 8 is a bottom view thereof.

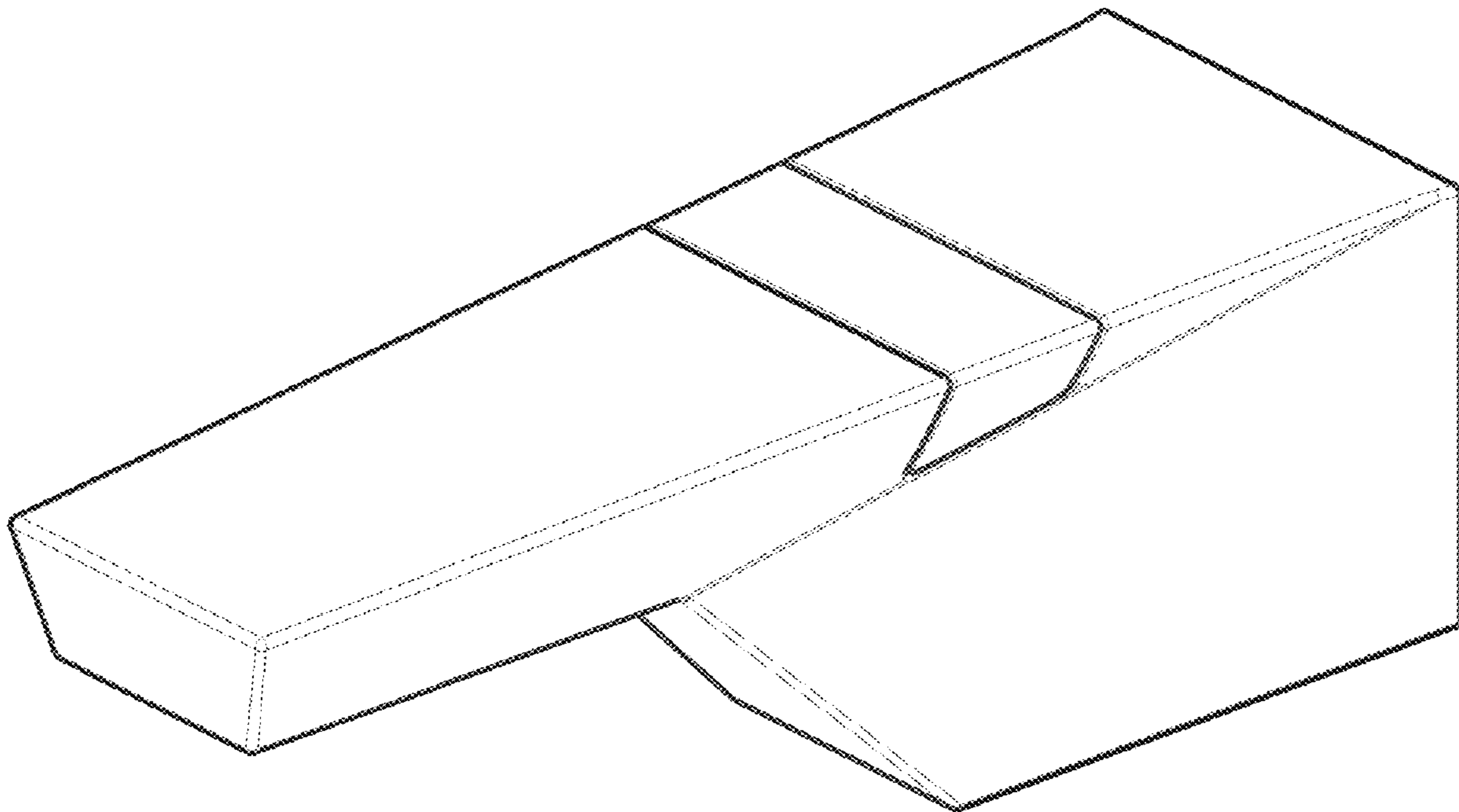
(56) **References Cited**

U.S. PATENT DOCUMENTS

D757,231 S * 5/2016 Garland D23/257

D782,013 S * 3/2017 Eads D23/255

1 Claim, 4 Drawing Sheets



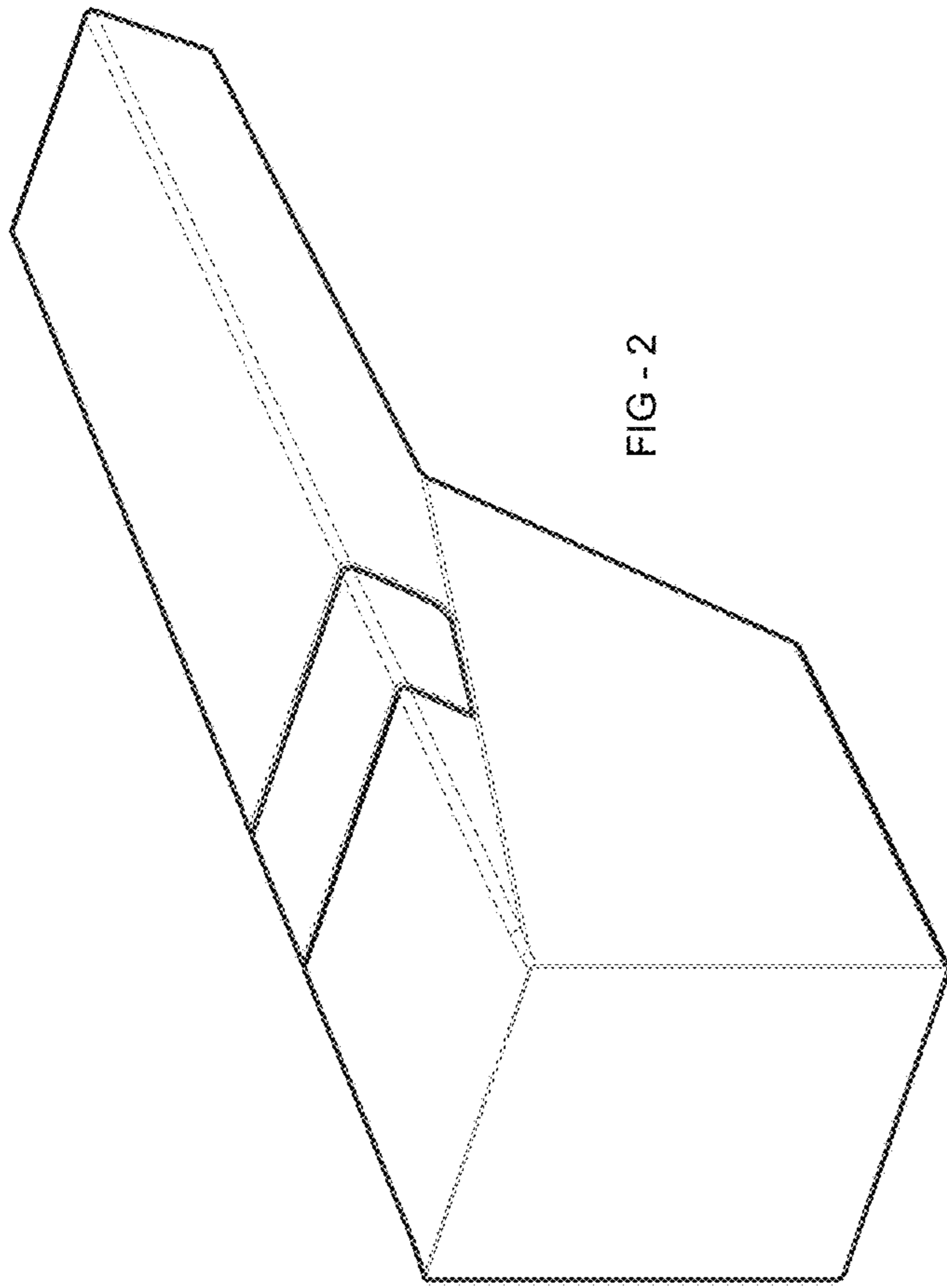


FIG - 2

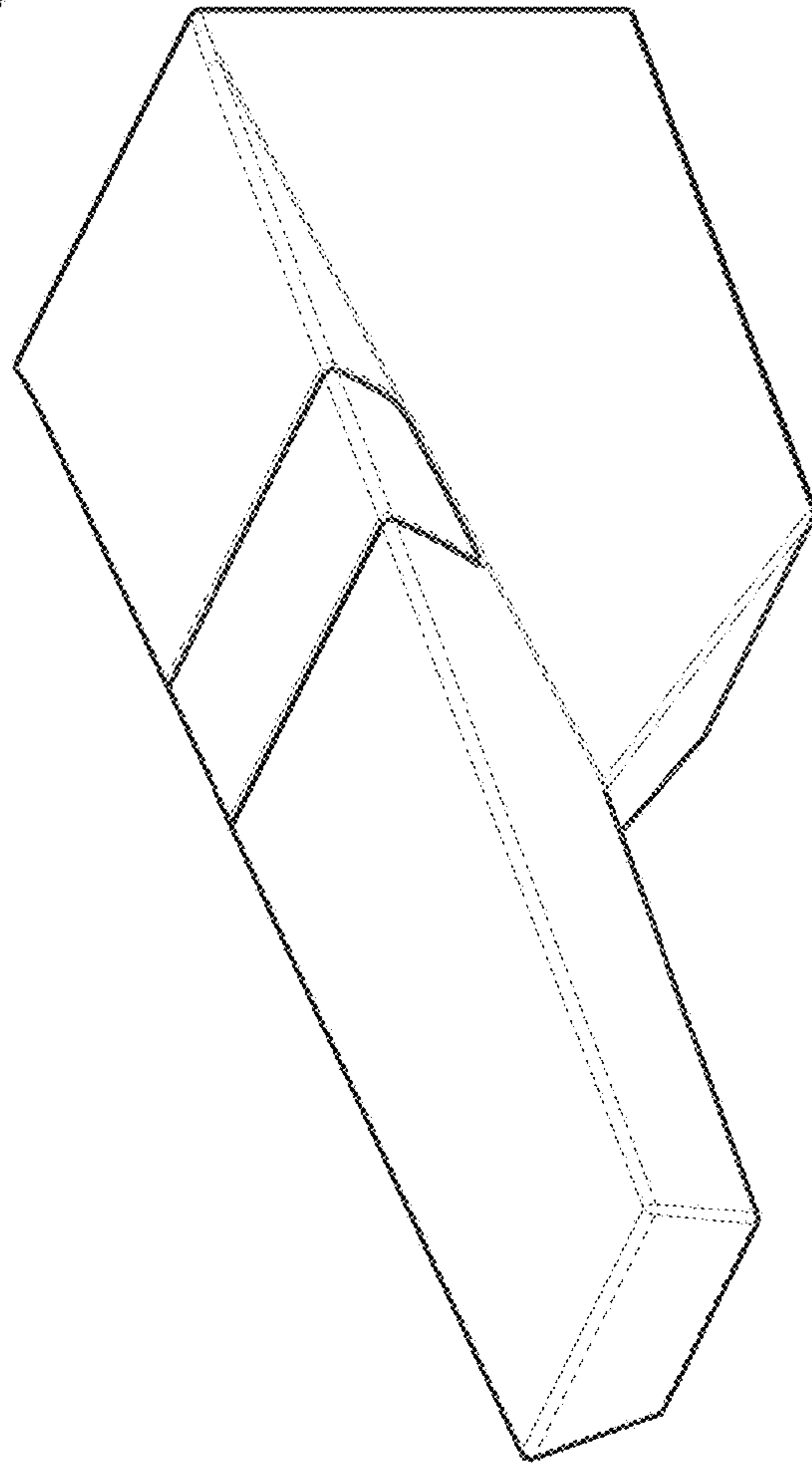


FIG - 1

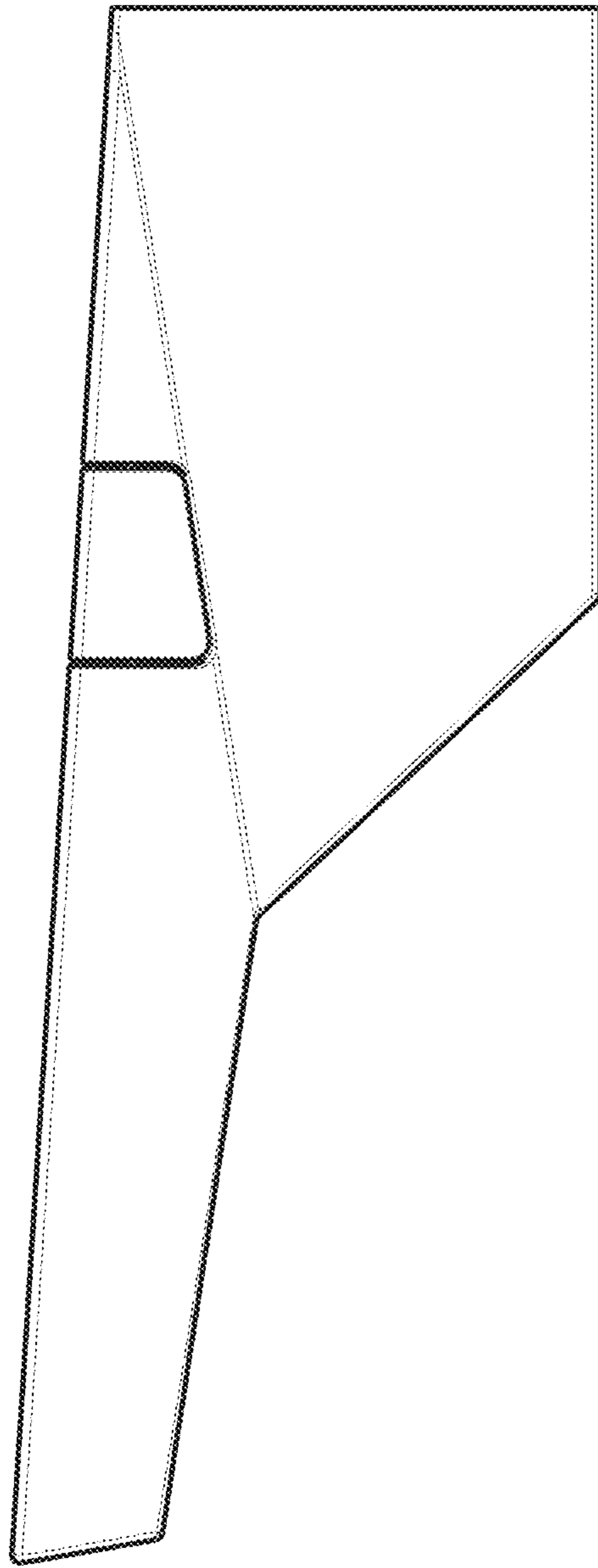


FIG - 4

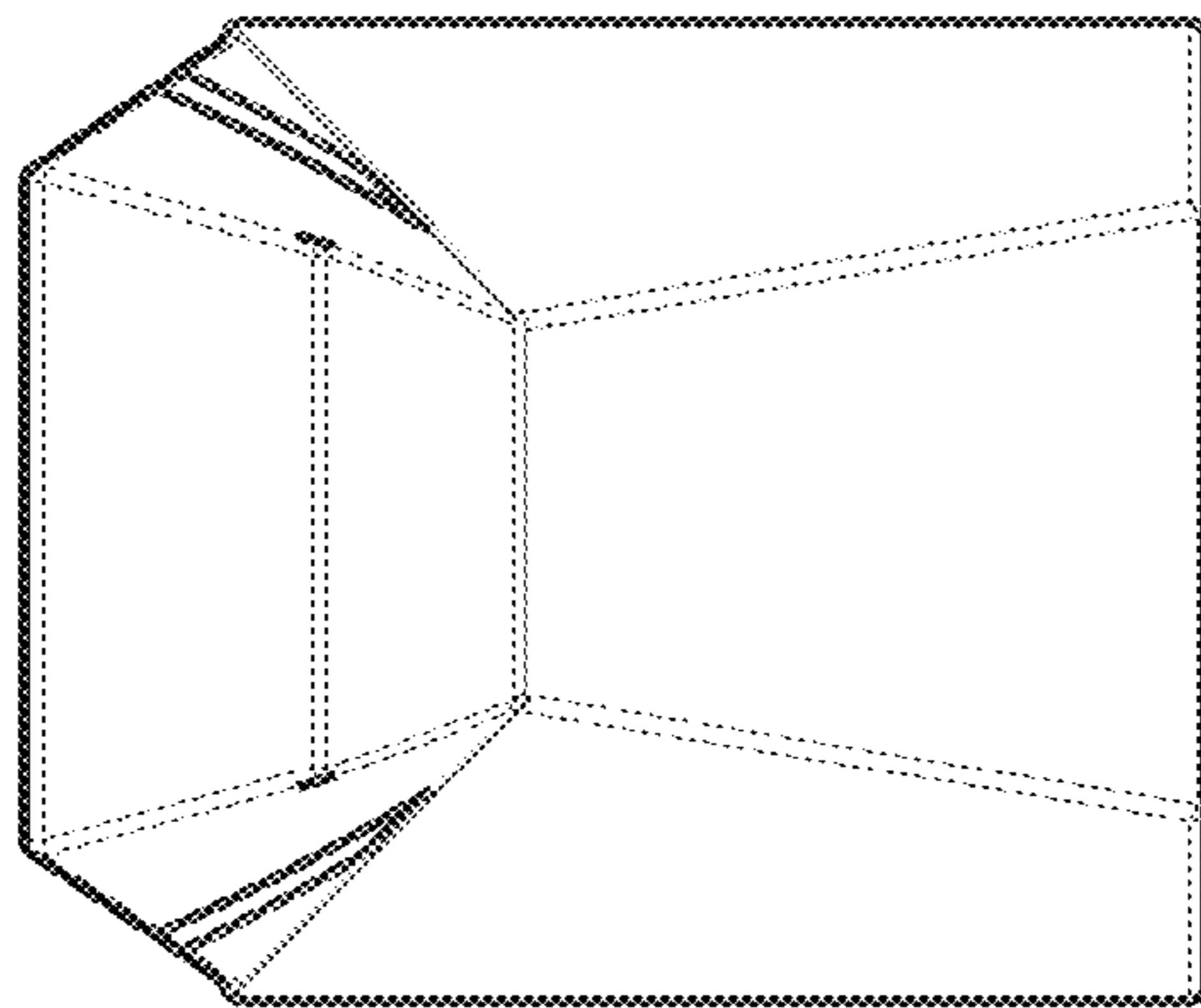


FIG - 3

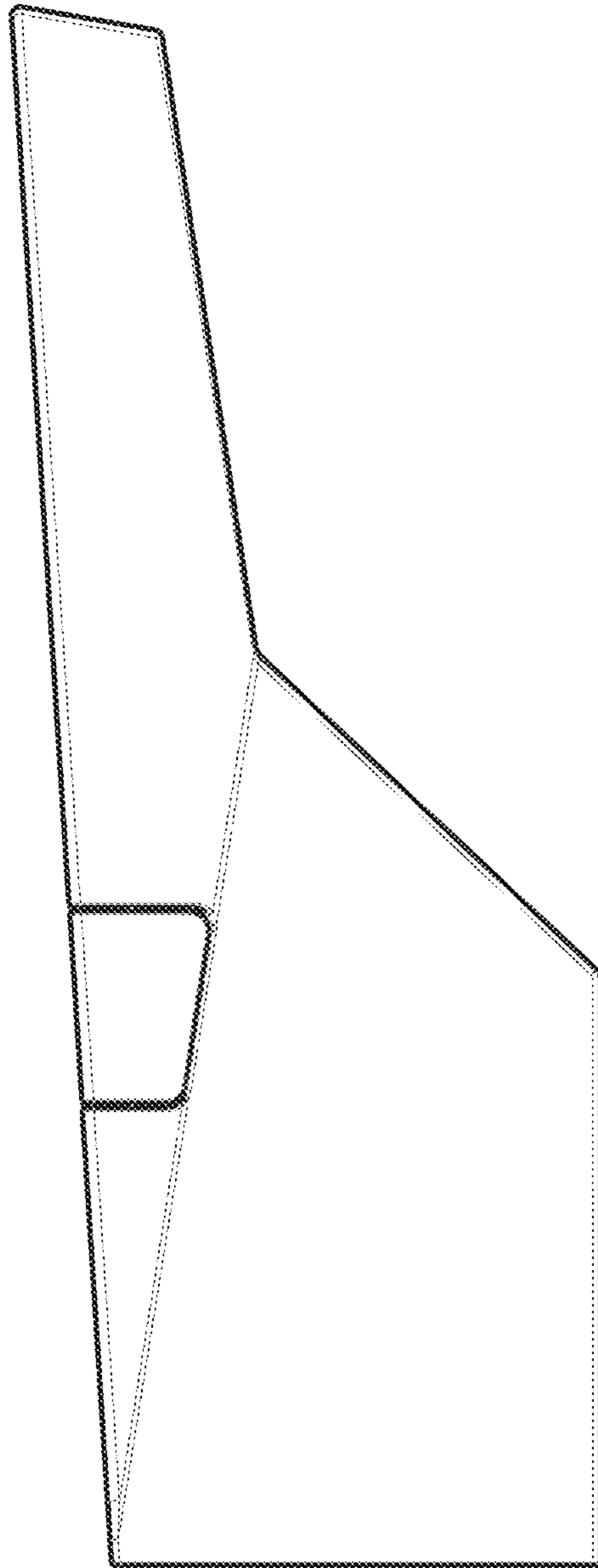


FIG - 6

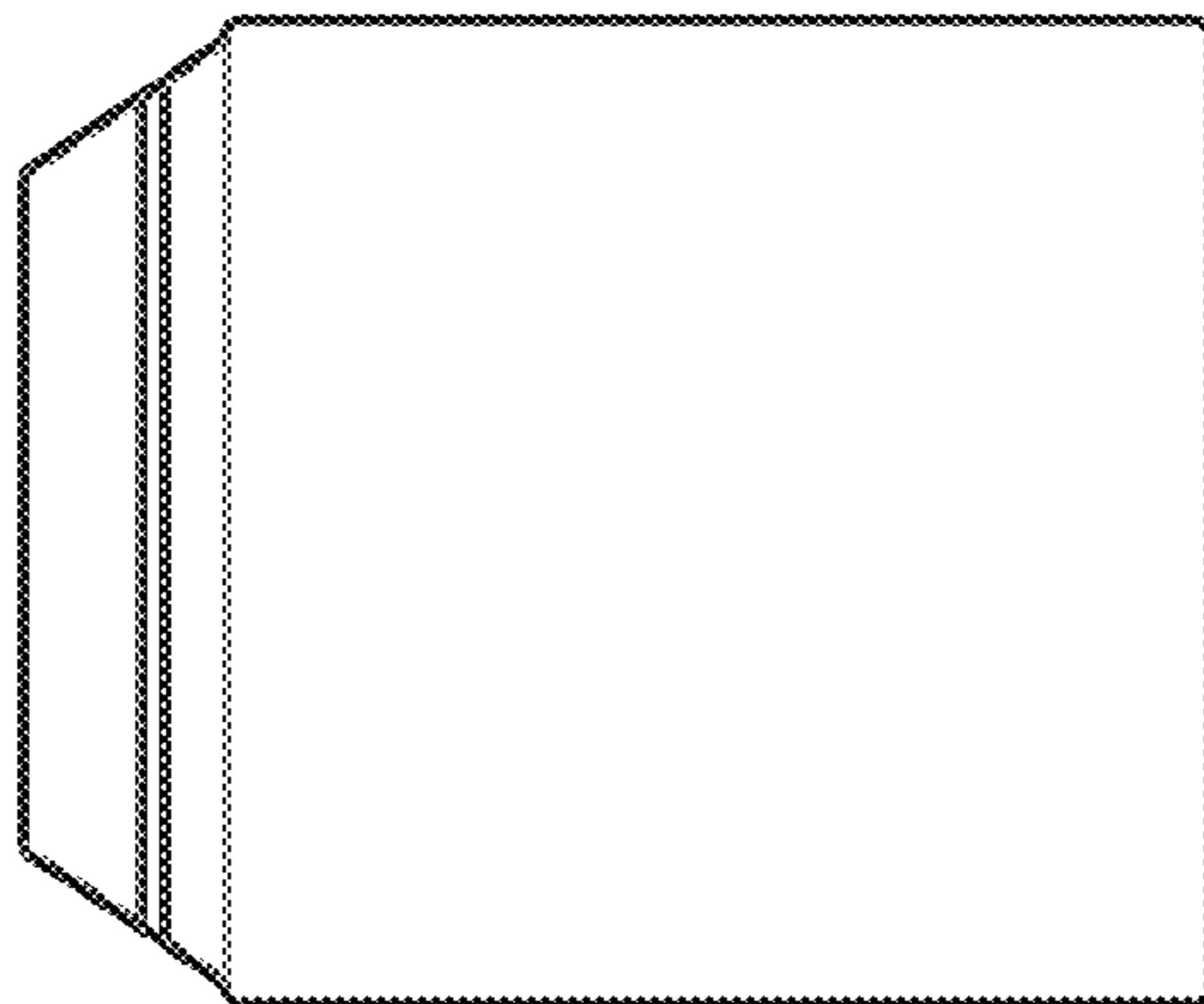


FIG - 5

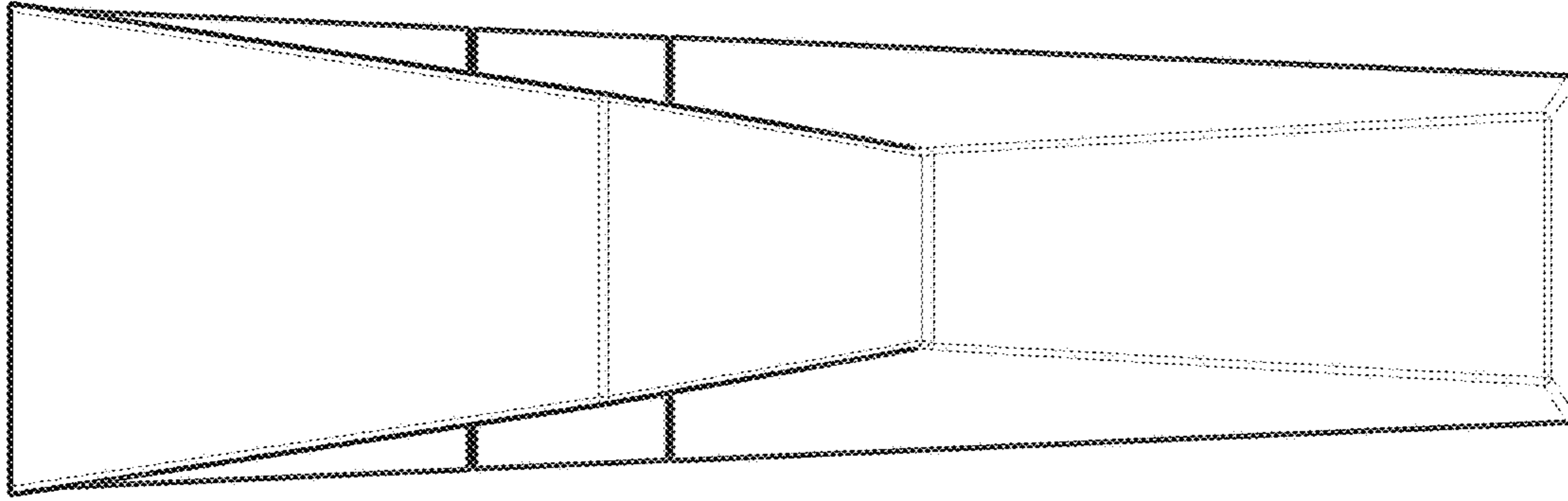


FIG - 8

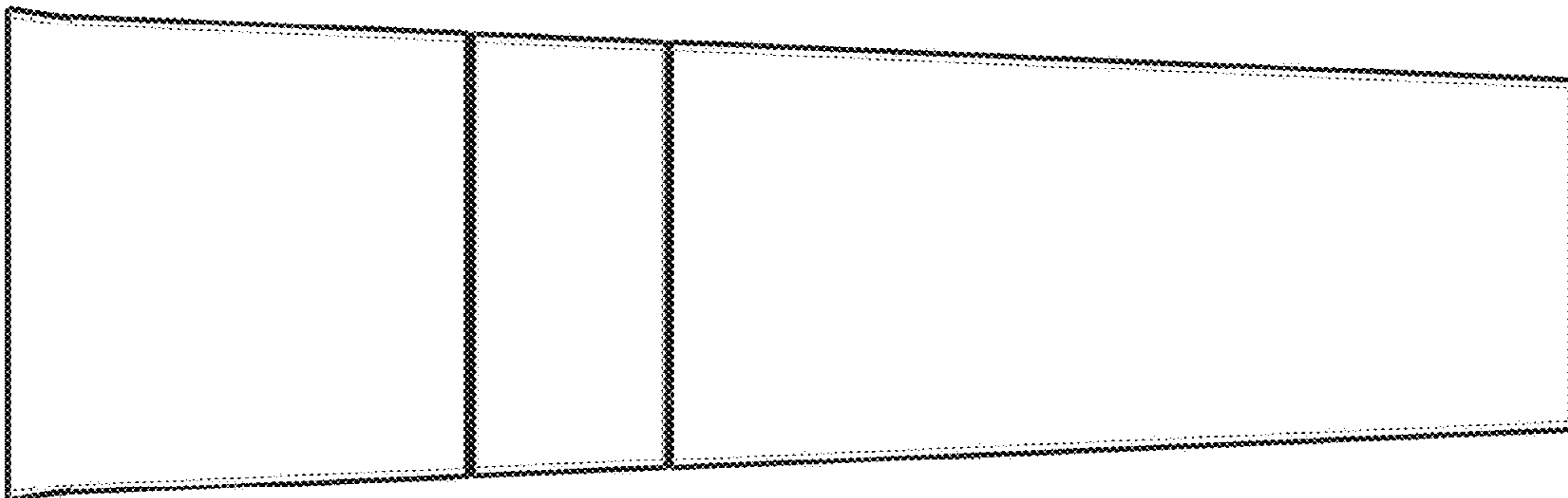


FIG - 7