



US00D927647S

(12) **United States Design Patent**
Liang

(10) **Patent No.:** **US D927,647 S**

(45) **Date of Patent:** **** Aug. 10, 2021**

(54) **FAUCET**

D913,438 S * 3/2021 Levi D23/238
D914,143 S * 3/2021 Levi D23/238
D917,014 S * 4/2021 Wang D23/238

(71) Applicant: **Shufeng Liang**, Guangzhou (CN)

(72) Inventor: **Shufeng Liang**, Guangzhou (CN)

(**) Term: **15 Years**

(21) Appl. No.: **29/709,326**

(22) Filed: **Oct. 14, 2019**

(51) **LOC (13) Cl.** **23-01**

(52) **U.S. Cl.**
USPC **D23/238**

(58) **Field of Classification Search**
USPC D23/238-244, 252, 254-255, 257;
D8/307-308
CPC F16K 31/602; F16K 31/605; F16K 31/607;
E03C 1/0412

See application file for complete search history.

(56) **References Cited**

U.S. PATENT DOCUMENTS

D534,990 S *	1/2007	Zhou	D23/238
D557,380 S *	12/2007	Shieh	D23/238
D605,260 S *	12/2009	Allard	D23/255
D651,284 S *	12/2011	Flowers	D23/243
D733,259 S *	6/2015	Flowers	D23/238
D802,720 S *	11/2017	Haug	D23/238
D816,804 S *	5/2018	Chong	D23/238
D861,832 S *	10/2019	Zeng	D23/238
D862,647 S *	10/2019	Zeng	D23/238
D862,648 S *	10/2019	Zeng	D23/238
D864,356 S *	10/2019	Zhang	D23/238
D890,887 S *	7/2020	Levi	D23/255
D904,576 S *	12/2020	Levi	D23/255
D912,778 S *	3/2021	Huang	D23/238

OTHER PUBLICATIONS

Aimadi Contemporary Kitchen Sink Faucet, first available Apr. 8, 2018 [online], [site visited Apr. 23, 2021]. Available from internet, URL:<https://www.amazon.com/Aimadi-Contemporary-Kitchen-Sink-Faucet/dp/B07C1L5GL5> (Year: 2018).*

Fapully Commercial Pull Down Kitchen Sink Faucet, first available Apr. 8, 2018 [online], [site visited Apr. 24, 2021]. Available from internet, URL:<https://www.amazon.com/Fapully-Commercial-Kitchen-Sprayer-Brushed/dp/B07C1L21SF > (Year: 2018).*

* cited by examiner

Primary Examiner — Barbara Fox

Assistant Examiner — Jamaal Rasheed

(74) *Attorney, Agent, or Firm* — Rumit Ranjit Kanakia

(57) **CLAIM**

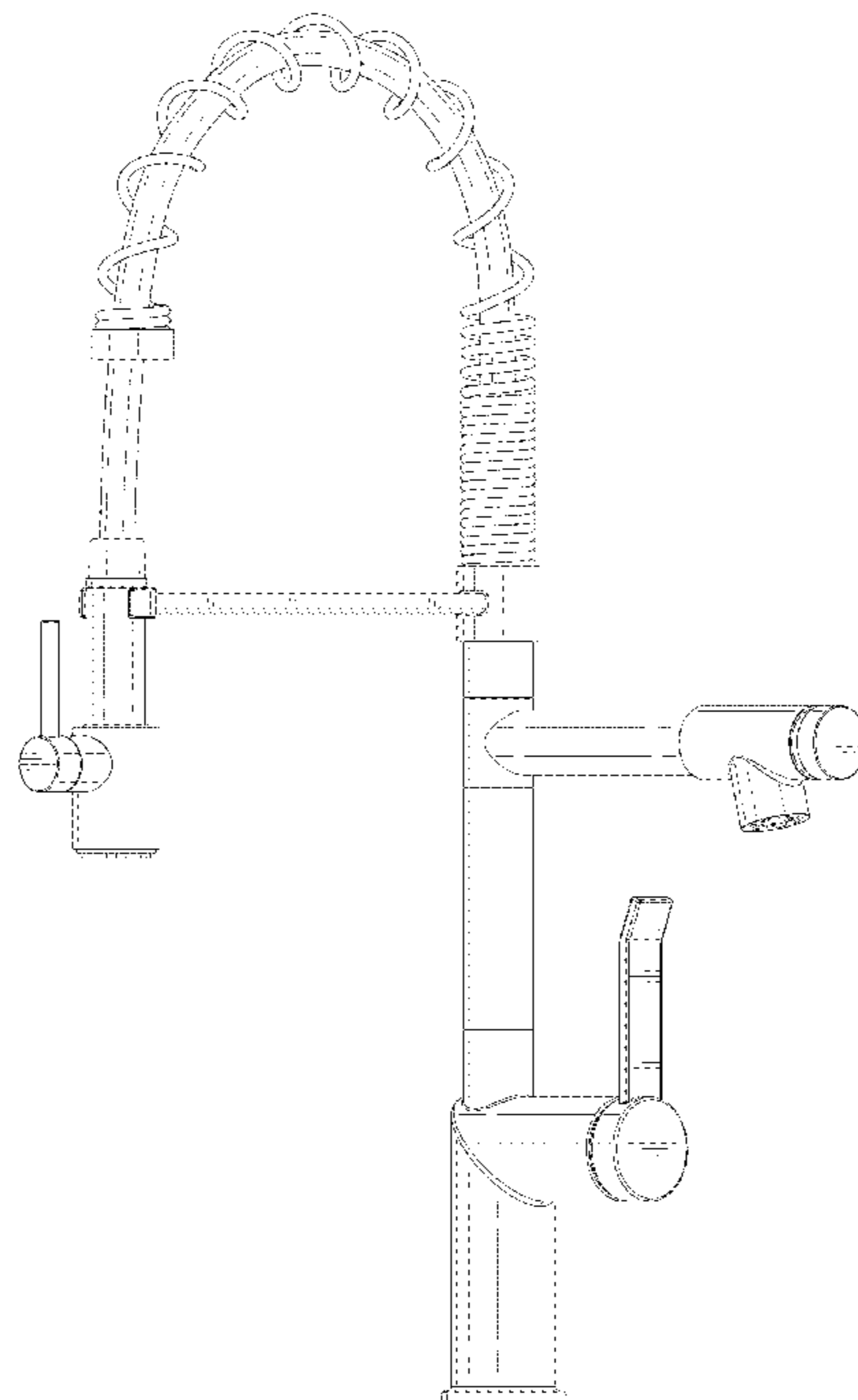
I claim the ornamental design for a faucet, as shown and described.

DESCRIPTION

FIG. 1 is a Perspective view of a faucet showing my new design;
FIG. 2 is another perspective view thereof;
FIG. 3 is a Front view thereof;
FIG. 4 is a Back view thereof;
FIG. 5 is a Right-side view thereof;
FIG. 6 is a Left-side view thereof;
FIG. 7 is a Top view thereof; and,
FIG. 8 is a Bottom view thereof.

The broken lines depict portions of the faucet that form no part of the claimed design.

1 Claim, 8 Drawing Sheets



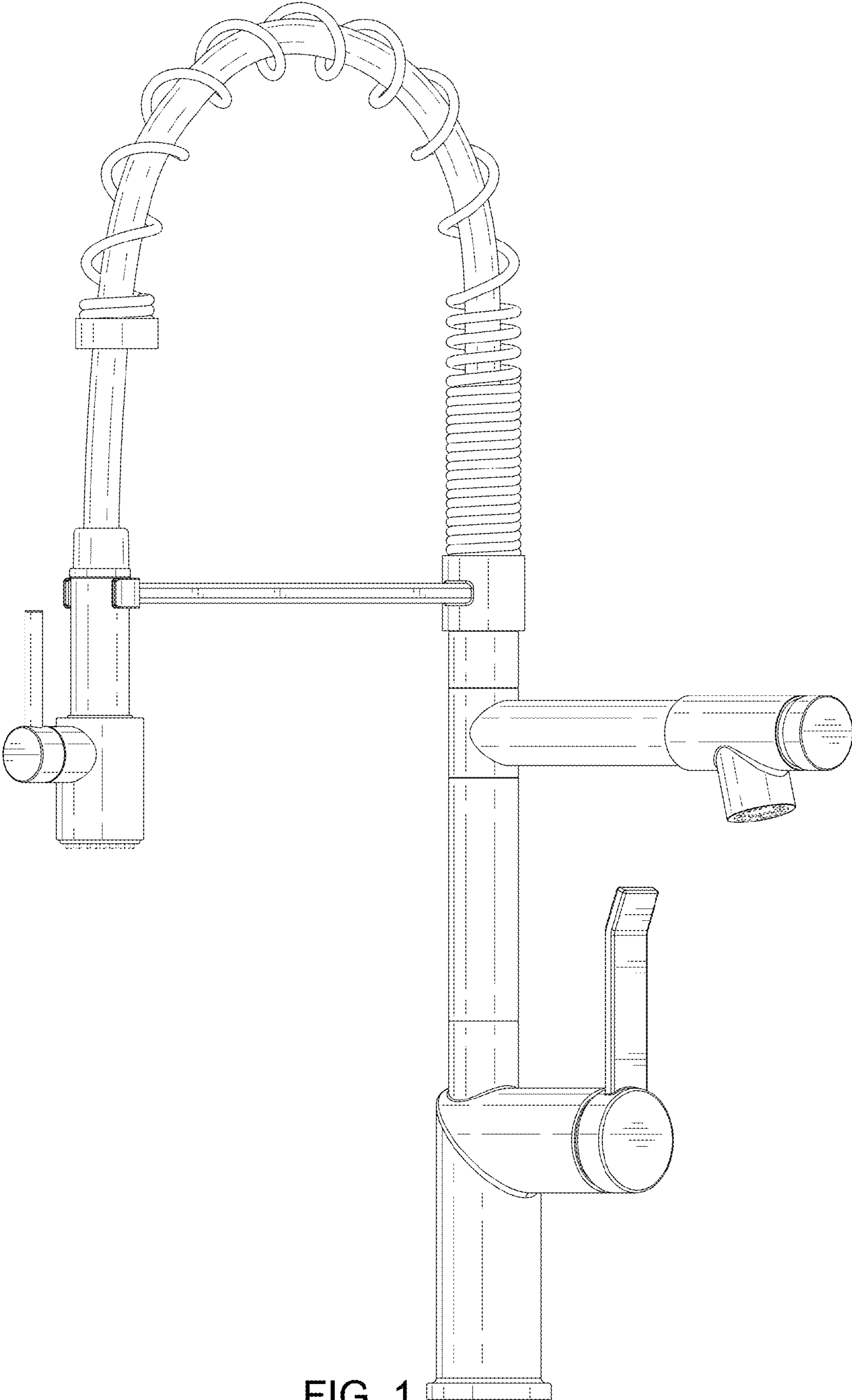


FIG. 1

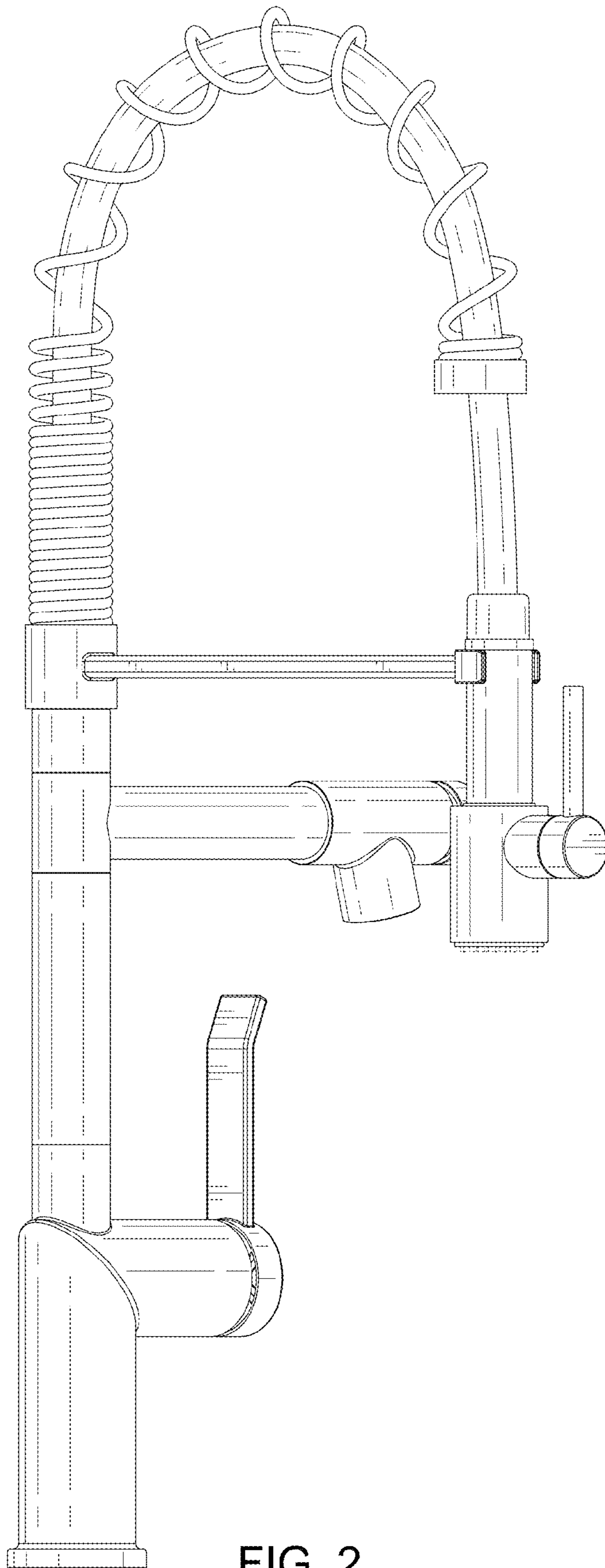


FIG. 2

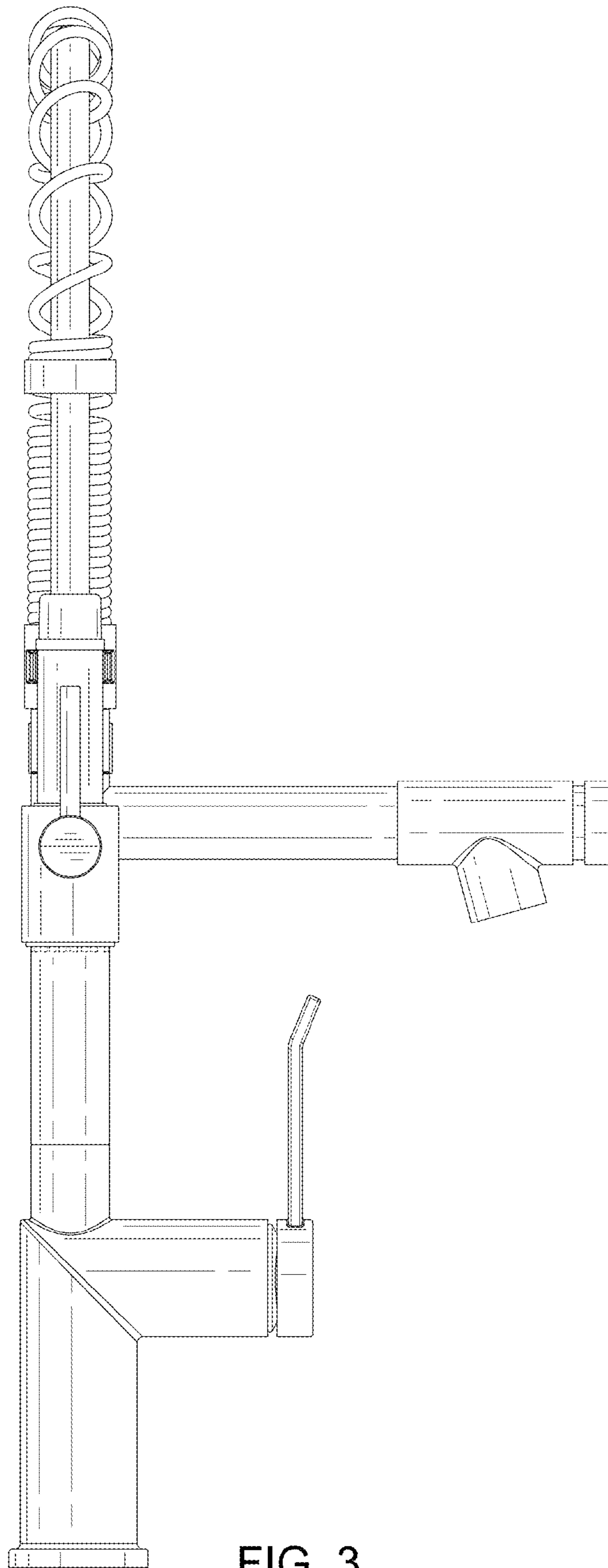


FIG. 3

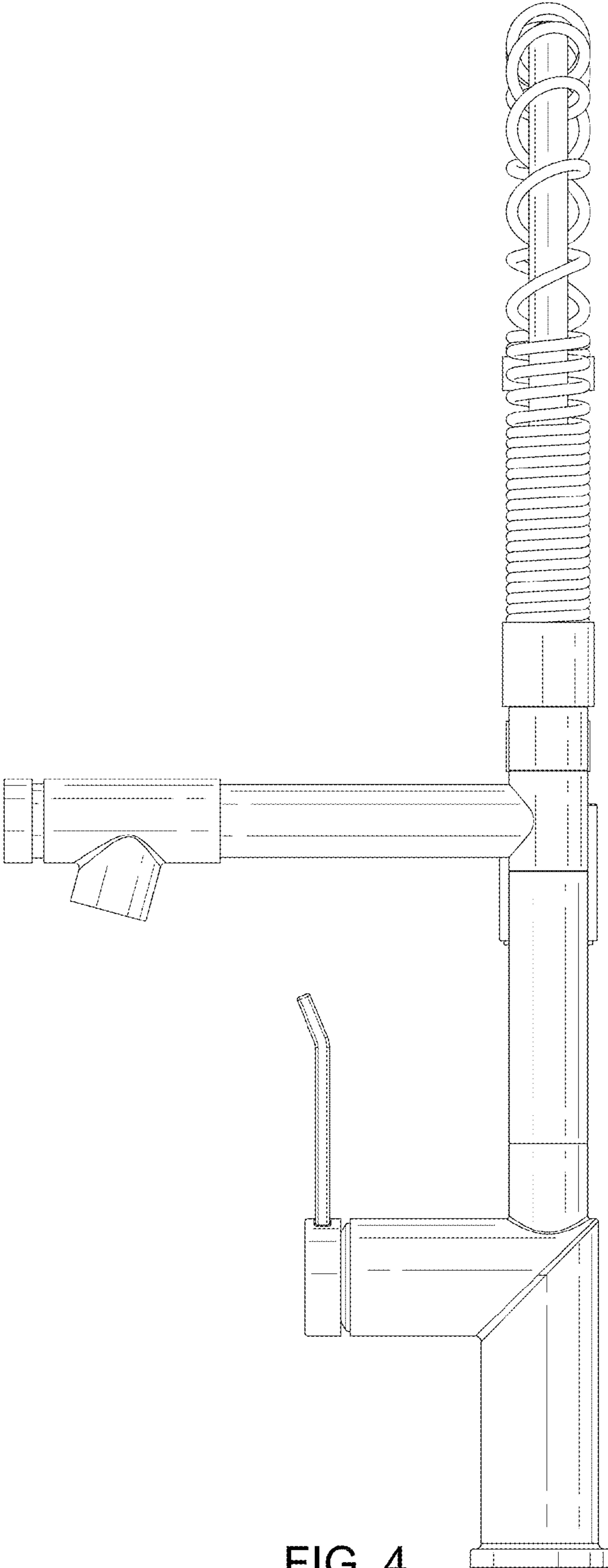


FIG. 4

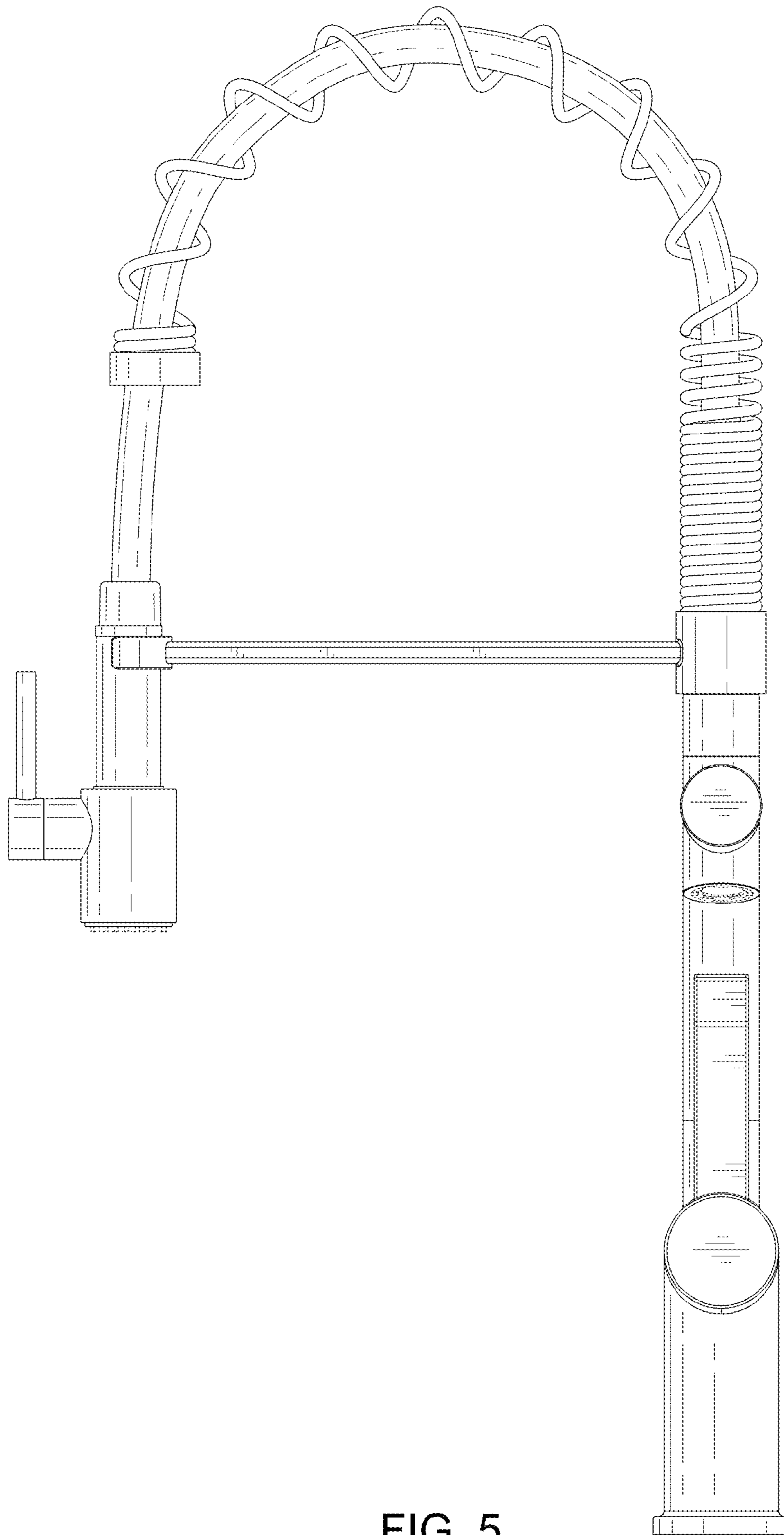


FIG. 5

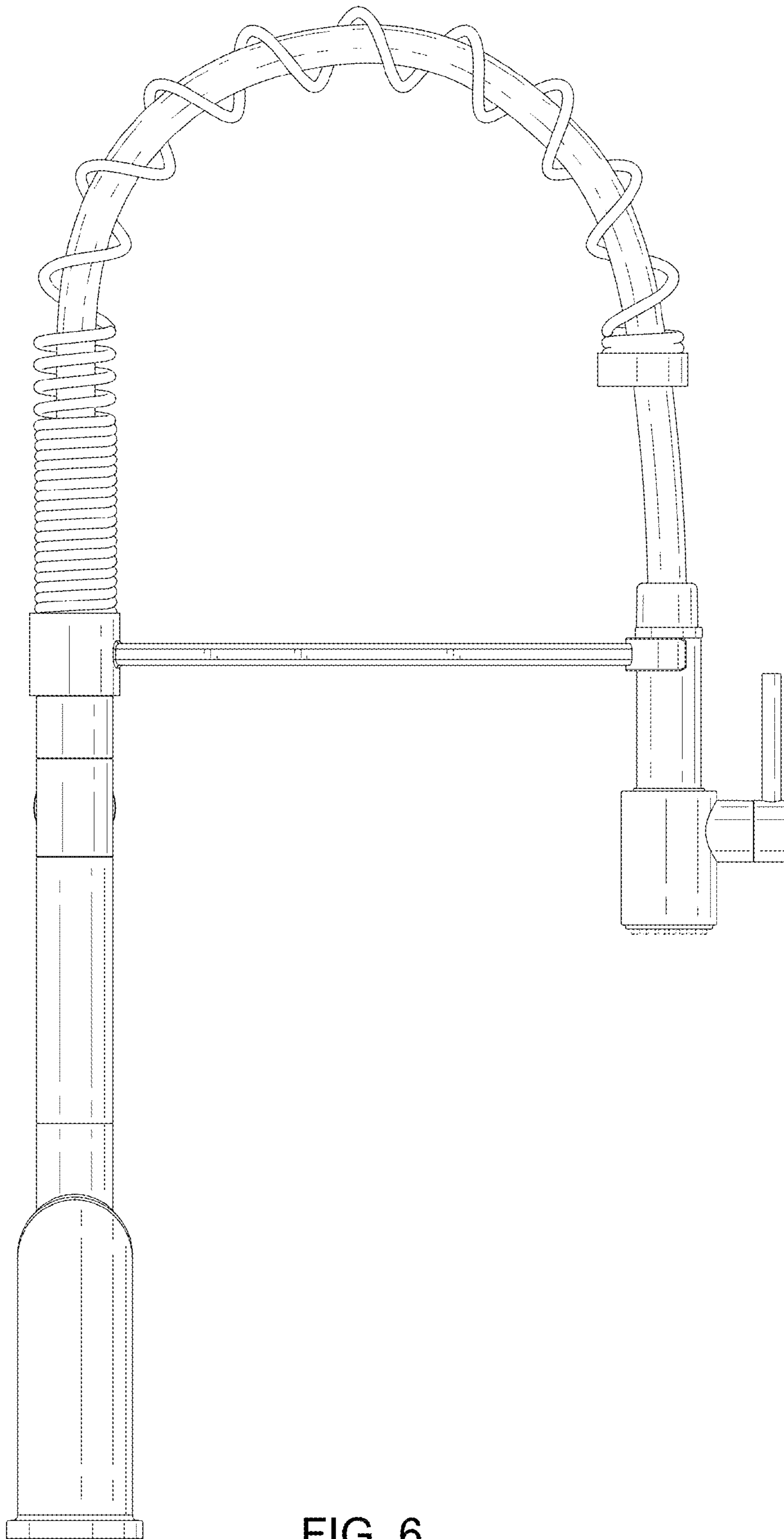


FIG. 6

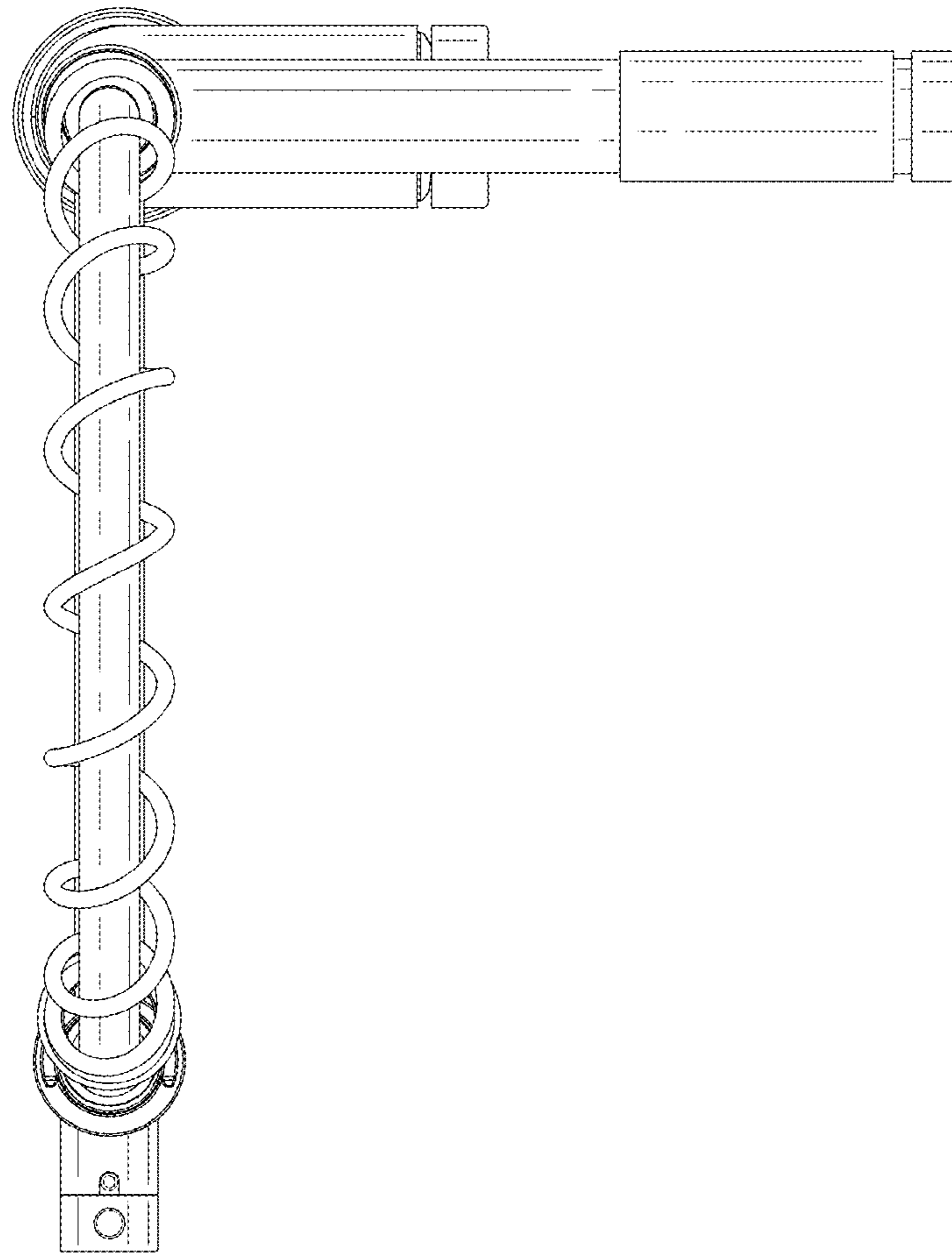


FIG. 7

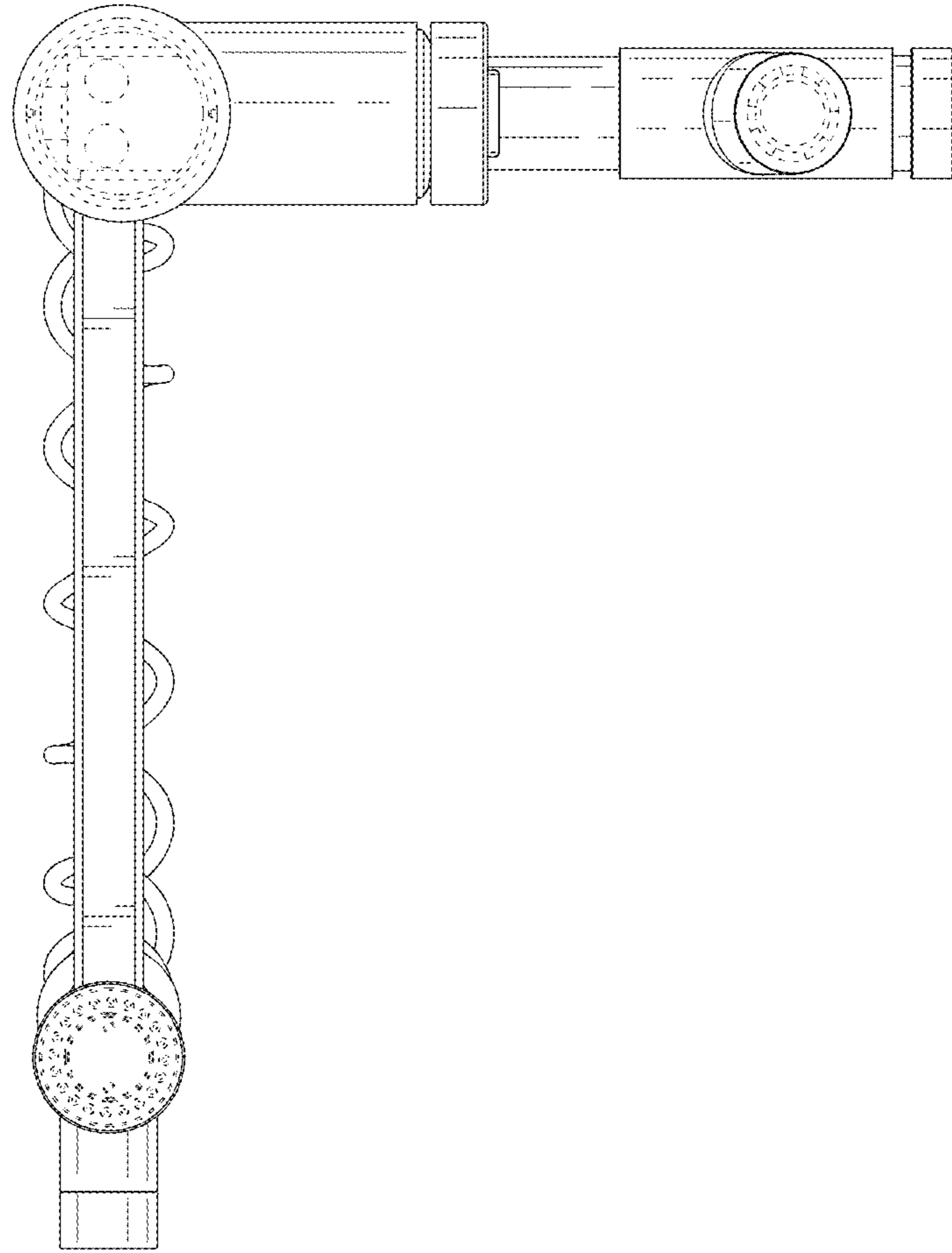


FIG. 8