



US00D927646S

(12) **United States Design Patent** (10) **Patent No.:** **US D927,646 S**  
**Matsushita et al.** (45) **Date of Patent:** **\*\* Aug. 10, 2021**

(54) **RESIDUAL PRESSURE RELEASE VALVE**

D796,008 S 8/2017 Ueno et al.  
D801,481 S 10/2017 Ueno et al.  
2014/0224355 A1 8/2014 Okitsu et al.

(71) Applicant: **SMC CORPORATION**, Tokyo (JP)

(72) Inventors: **Kazuhiro Matsushita**, Moriya (JP);  
**Tomokazu Ueno**, Tsukubamirai (JP)

FOREIGN PATENT DOCUMENTS

JP 2006-258181 A 8/2012  
JP 1448348 S 8/2012

(73) Assignee: **SMC CORPORATION**, Tokyo (JP)

(\*\*) Term: **15 Years**

OTHER PUBLICATIONS

(21) Appl. No.: **29/779,898**

U.S. Appl. No. 29/682,893, filed Mar. 8, 2019.

(22) Filed: **Apr. 21, 2021**

*Primary Examiner* — Gino Colan

(74) *Attorney, Agent, or Firm* — Birch, Stewart, Kolasch & Birch, LLP

**Related U.S. Application Data**

(62) Division of application No. 29/682,893, filed on Mar. 8, 2019.

(51) **LOC (13) Cl.** ..... **23-01**

(52) **U.S. Cl.**  
USPC ..... **D23/235**

(58) **Field of Classification Search**  
USPC ..... D23/233, 235; 251/205, 208, 215, 309,  
251/310, 312, 62, 63, 63.5, 129.01,  
251/129.18, 904  
CPC ..... F16K 24/04; F16K 15/063; F16K 17/04;  
F16K 7/17  
See application file for complete search history.

(57) **CLAIM**

The ornamental design for a residual pressure release valve, as shown and described.

**DESCRIPTION**

FIG. 1 is a front, top and left side perspective view of a residual pressure release valve showing our new design; FIG. 2 is a rear, bottom and right side perspective view thereof; FIG. 3 is a front view thereof; FIG. 4 is a rear view thereof; FIG. 5 is a top plan view thereof; FIG. 6 is a bottom plan view thereof; FIG. 7 is a left side view thereof; and, FIG. 8 is a right side view thereof. The broken lines depict portions of the residual pressure release valve that form no part of the claimed design.

(56) **References Cited**

U.S. PATENT DOCUMENTS

D700,286 S 2/2014 Okitsu et al.  
9,334,975 B2 5/2016 Okitsu et al.  
D796,007 S 8/2017 Ueno et al.

**1 Claim, 8 Drawing Sheets**

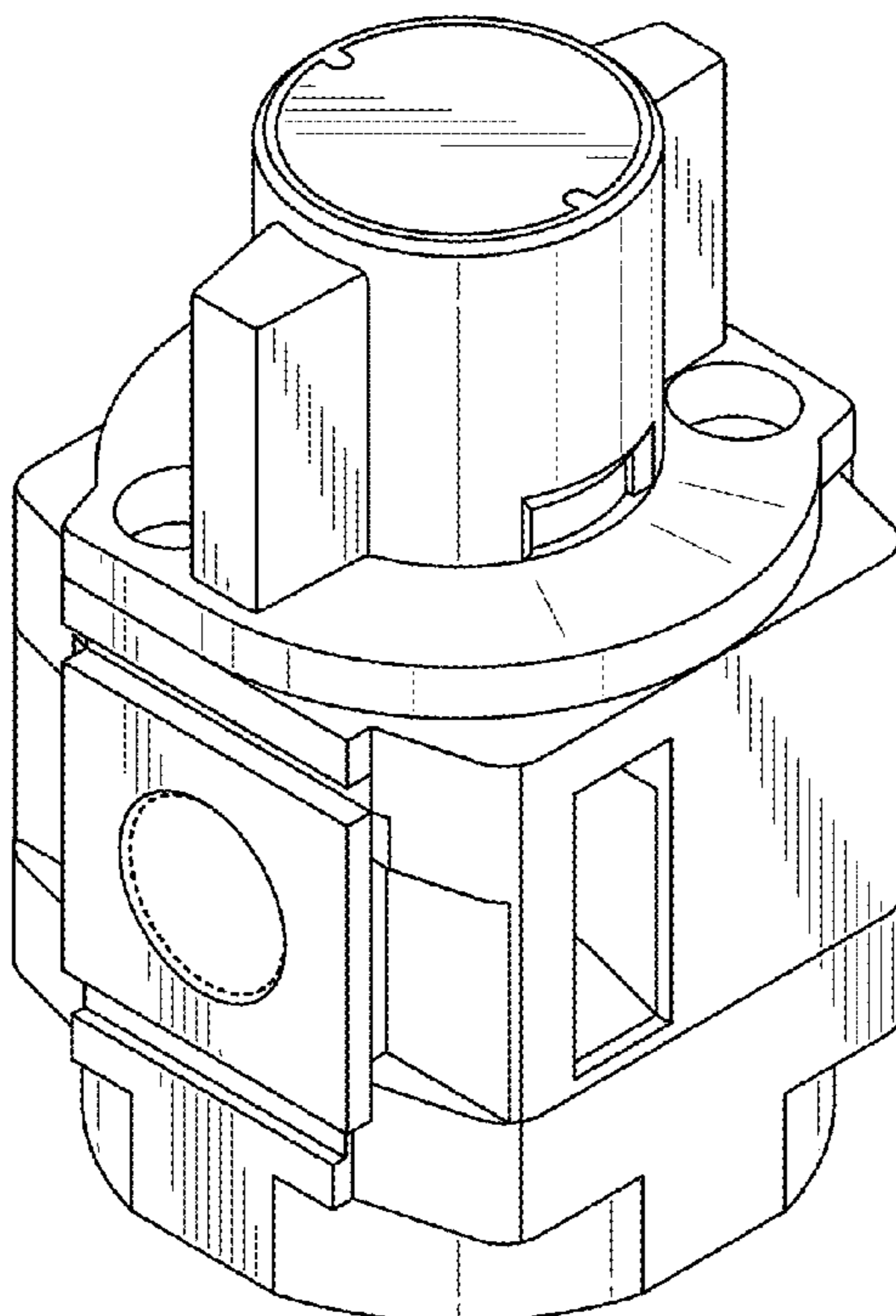


FIG. 1

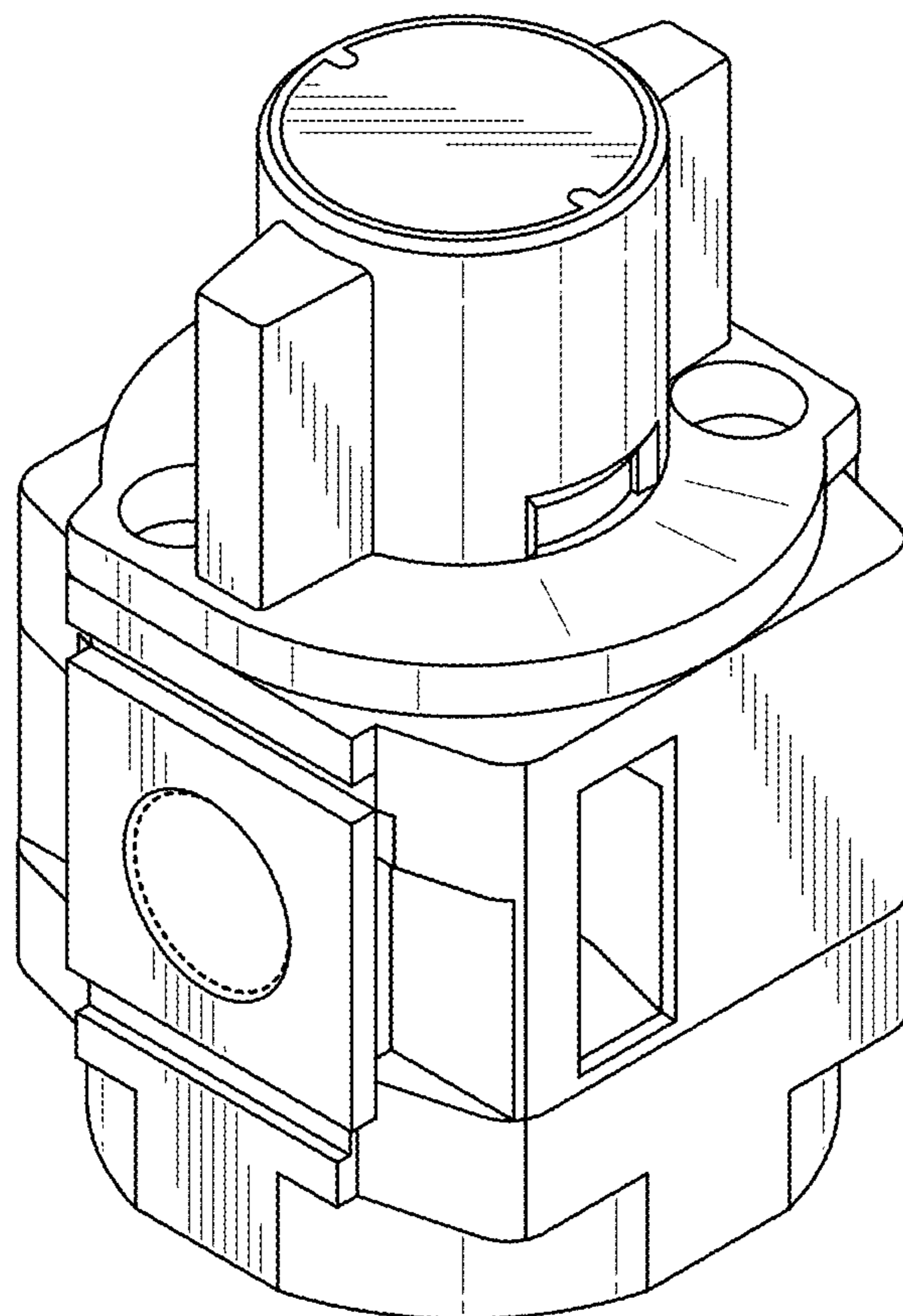


FIG. 2

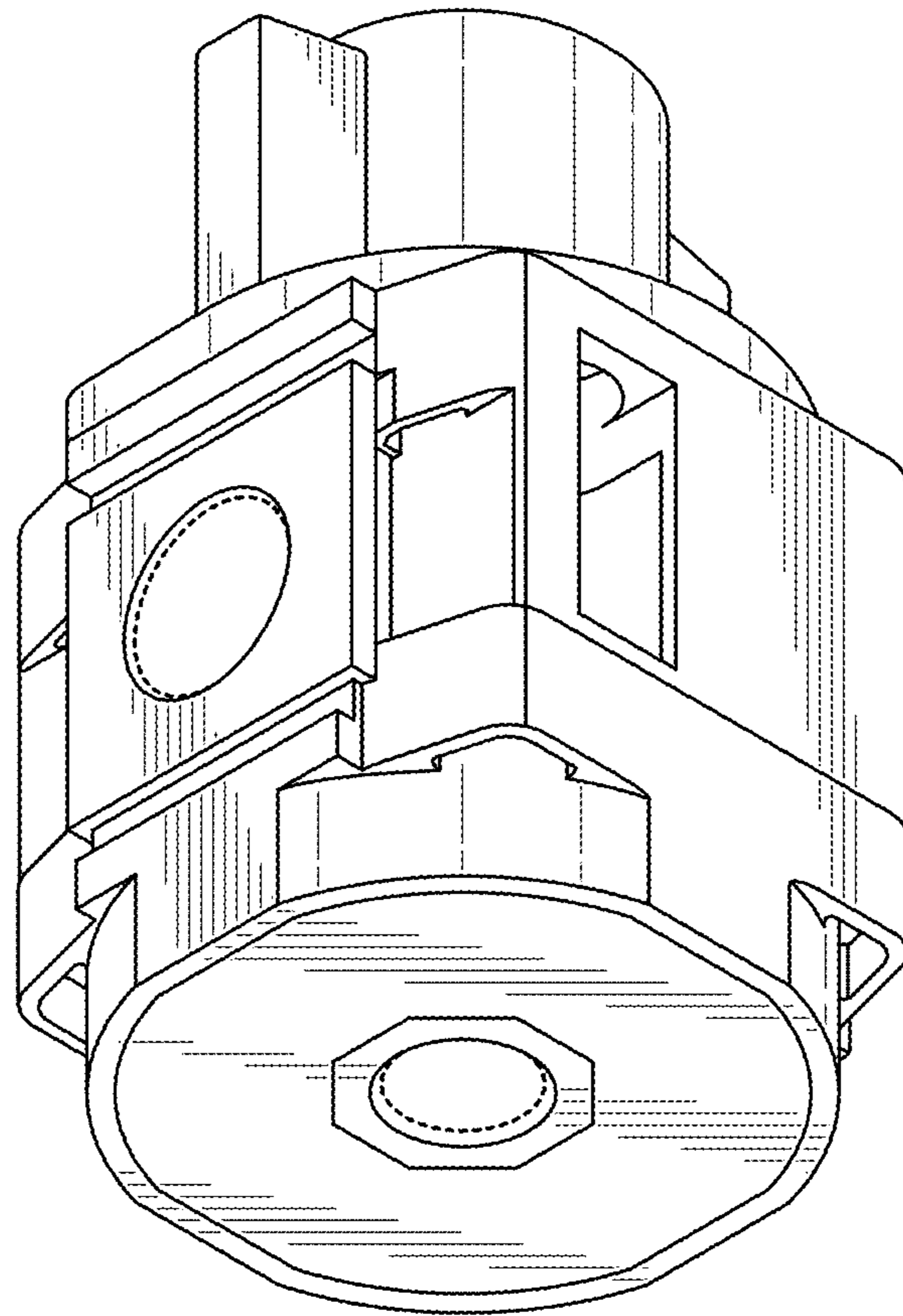


FIG. 3

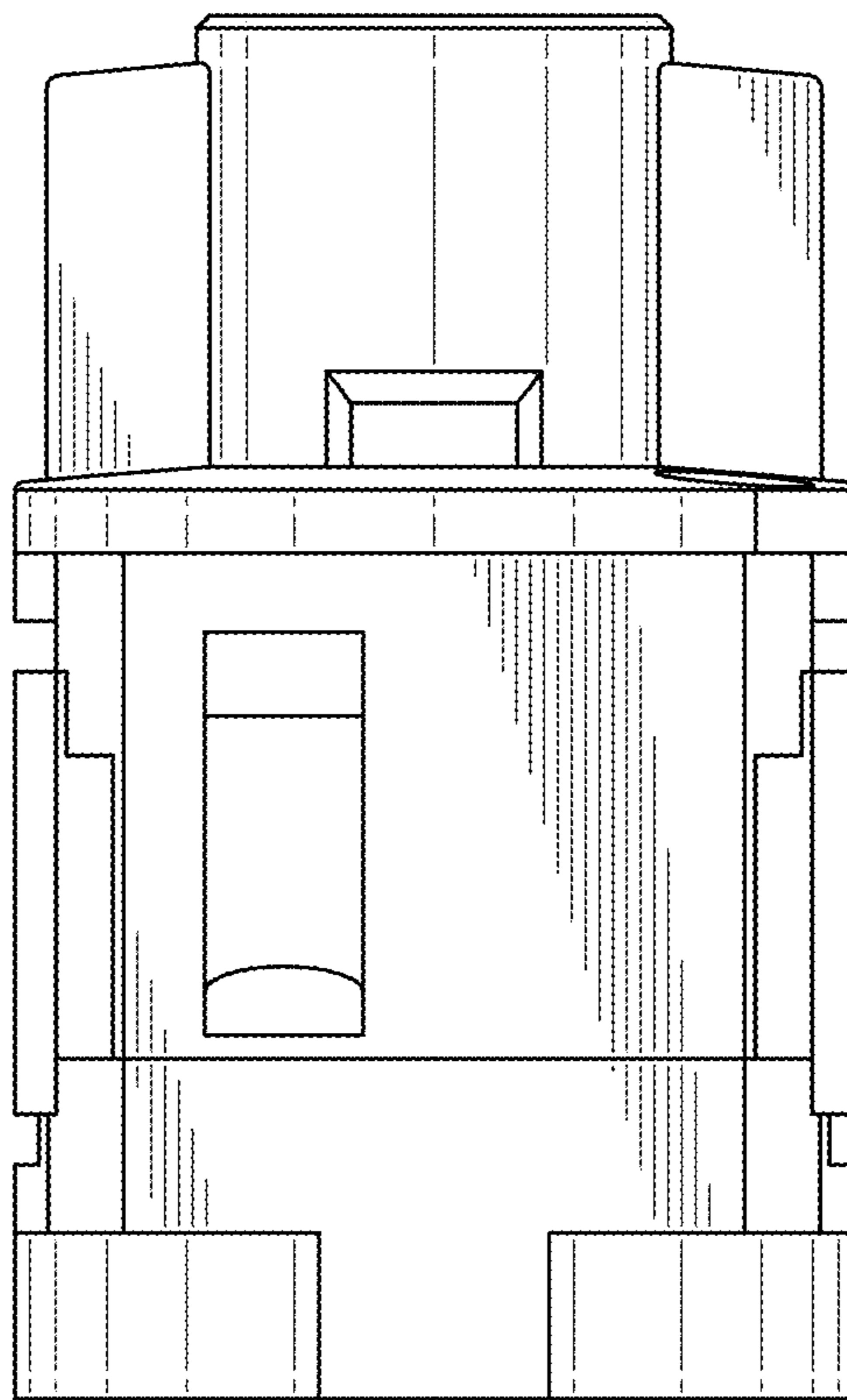


FIG. 4

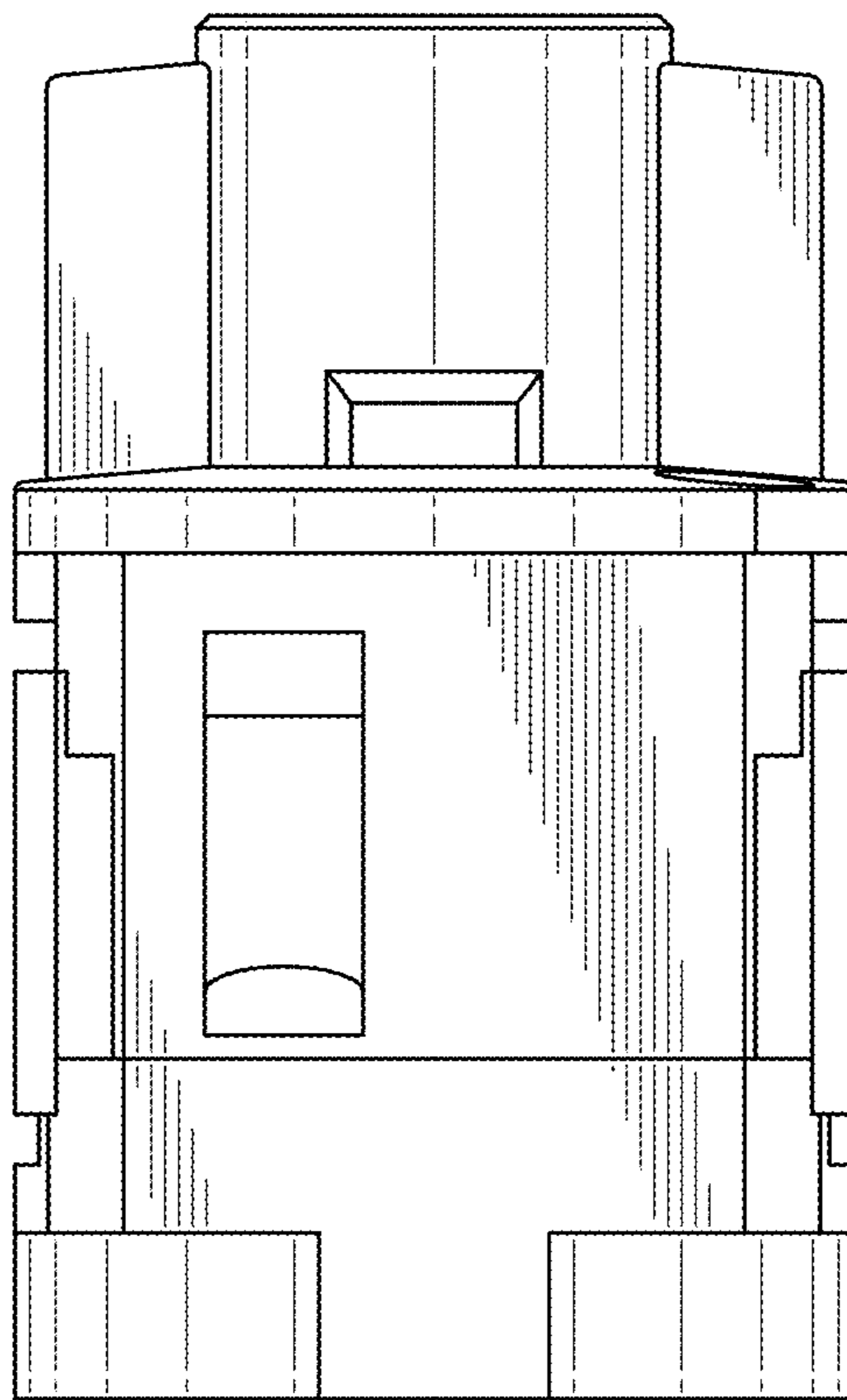


FIG. 5

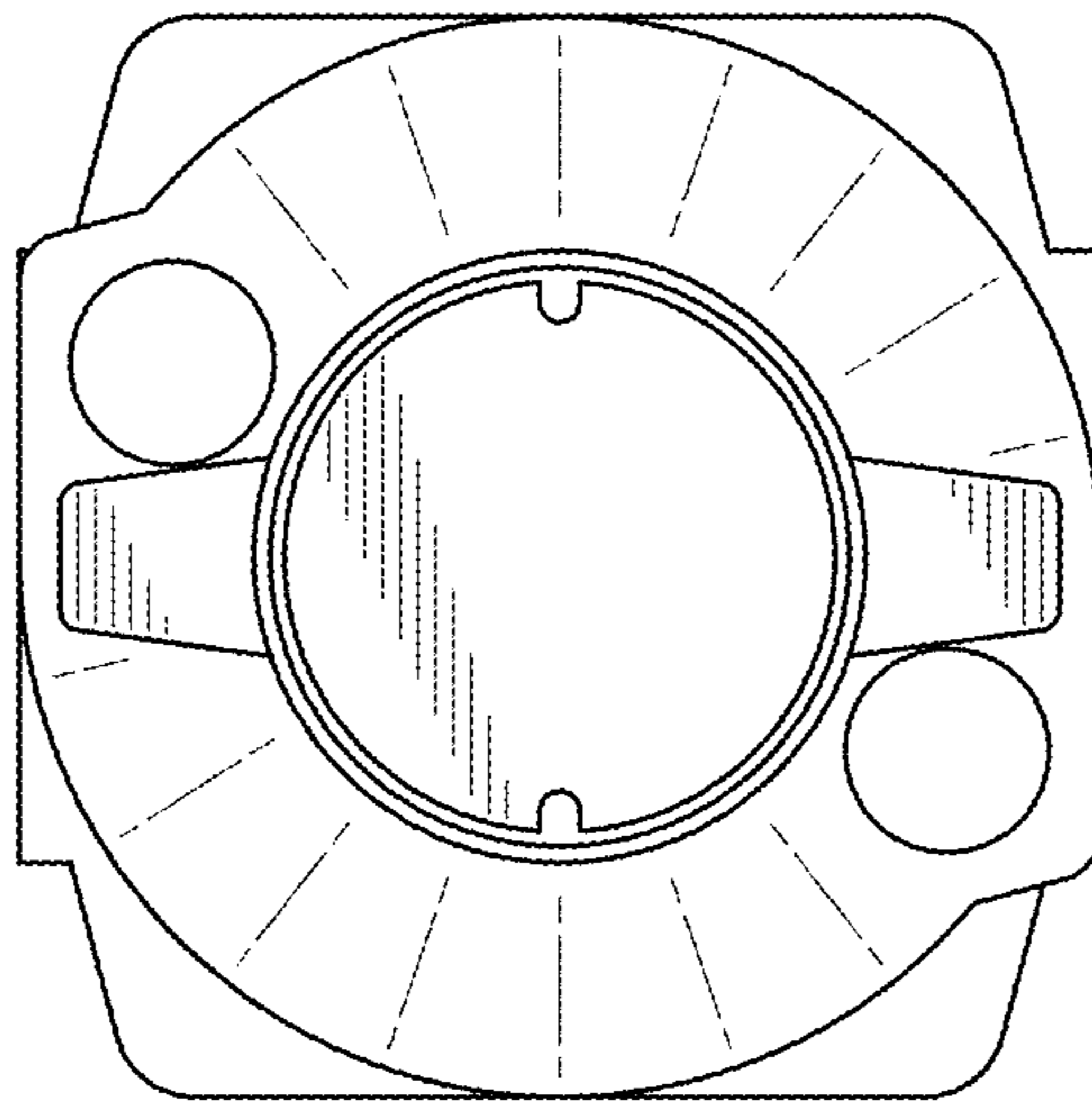


FIG. 6

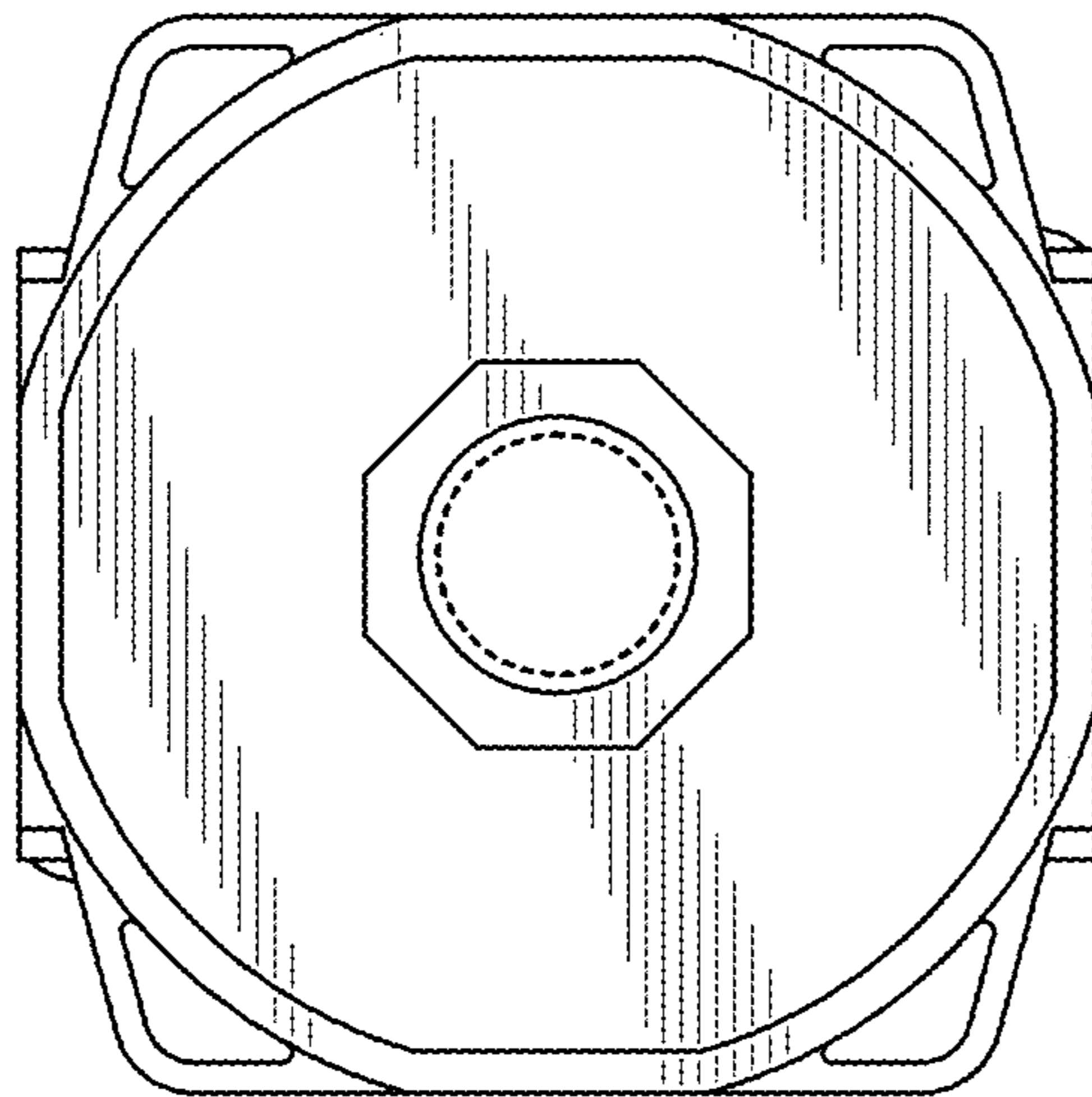


FIG. 7

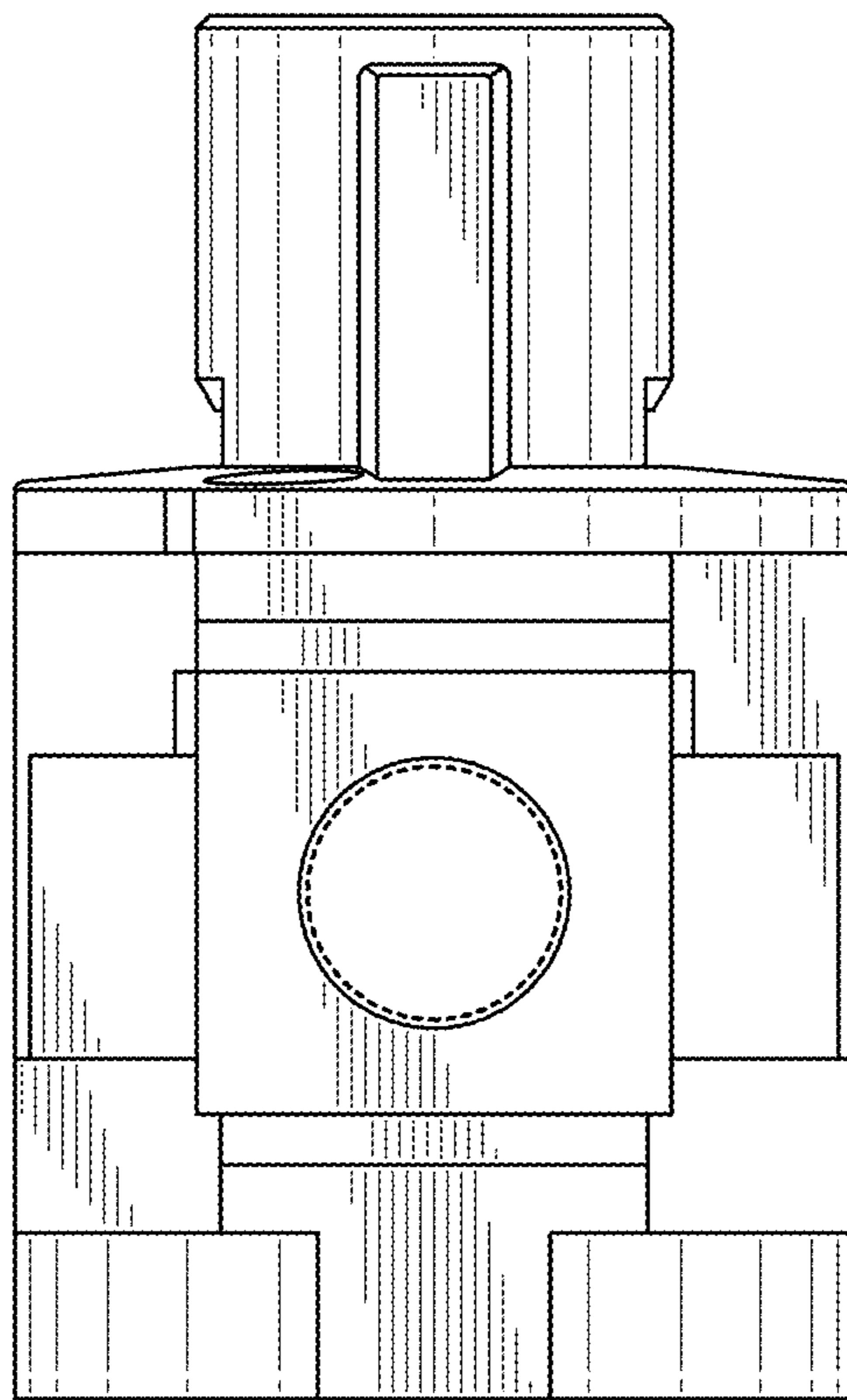




FIG. 8

