



US00D927645S

(12) **United States Design Patent** (10) **Patent No.:** **US D927,645 S**
Davies (45) **Date of Patent:** **** Aug. 10, 2021**

(54) **SPRAY GUN**

(71) Applicant: **Carlisle Fluid Technologies (UK) Ltd,**
Bournemouth (GB)

(72) Inventor: **Simon Davies,** Bournemouth (GB)

(73) Assignee: **Carlisle Fluid Technologies (UK) Ltd,**
Bournemouth (GB)

(**) Term: **15 Years**

(21) Appl. No.: **29/689,574**

(22) Filed: **Apr. 30, 2019**

(30) **Foreign Application Priority Data**

Oct. 31, 2018 (WO) DM/200075

(51) **LOC (13) Cl.** **23-01**

(52) **U.S. Cl.**
USPC **D23/226**

(58) **Field of Classification Search**
USPC D23/213, 214, 215, 223, 224, 226, 229,
D23/230

CPC A61H 9/0021; A61H 33/00; B05B 1/00;
B05B 1/14; B05B 1/185; B05B 1/08;
B05B 1/02; B05B 1/26; B05B 12/002;
B05B 1/18; B05B 9/01

See application file for complete search history.

(56) **References Cited**

U.S. PATENT DOCUMENTS

D405,503 S *	2/1999	Endo	D23/226
D457,599 S *	5/2002	Karwoski	D23/226
D545,943 S *	7/2007	Rodgers	D23/226
D575,374 S *	8/2008	Huang	D23/226
D578,603 S *	10/2008	Khaitov	D23/213
D588,231 S *	3/2009	Pellin	D23/213
D607,086 S *	12/2009	Kosaka	D23/226
D672,012 S *	12/2012	Brose	D23/226
D704,300 S *	5/2014	Li	D23/225

D725,743 S *	3/2015	Richter	D23/226
D727,466 S *	4/2015	Richter	D23/226
D757,216 S *	5/2016	Gehrung	D23/226
9,433,953 B2 *	9/2016	Ghesla	B05B 5/03
D770,593 S *	11/2016	Gehrung	D23/226
D778,405 S *	2/2017	Wang	D23/226
D794,755 S *	8/2017	Wang	D23/226
D800,868 S *	10/2017	Crenshaw	D23/226
D801,477 S *	10/2017	Mazur	D23/226
D803,353 S *	11/2017	Negri	D23/226
D812,718 S *	3/2018	Kosaka	D23/226
D821,545 S *	6/2018	Gehrung	D23/226
D830,506 S *	10/2018	Gehrung	D23/223
D831,792 S *	10/2018	Gehrung	D23/223

(Continued)

OTHER PUBLICATIONS

https://www.amazon.com/Graco-287926-Assisted-Paint-Spray/dp/B01JB560BW/ref=sr_1_151?dchild=1&keywords=graco+paint+spray+gun&qid=1586801533&sr=8-151 (Year: 2020).*

(Continued)

Primary Examiner — Jack Reickel

Assistant Examiner — Keith J Wilson

(74) *Attorney, Agent, or Firm* — Fletcher Yoder, P.C.

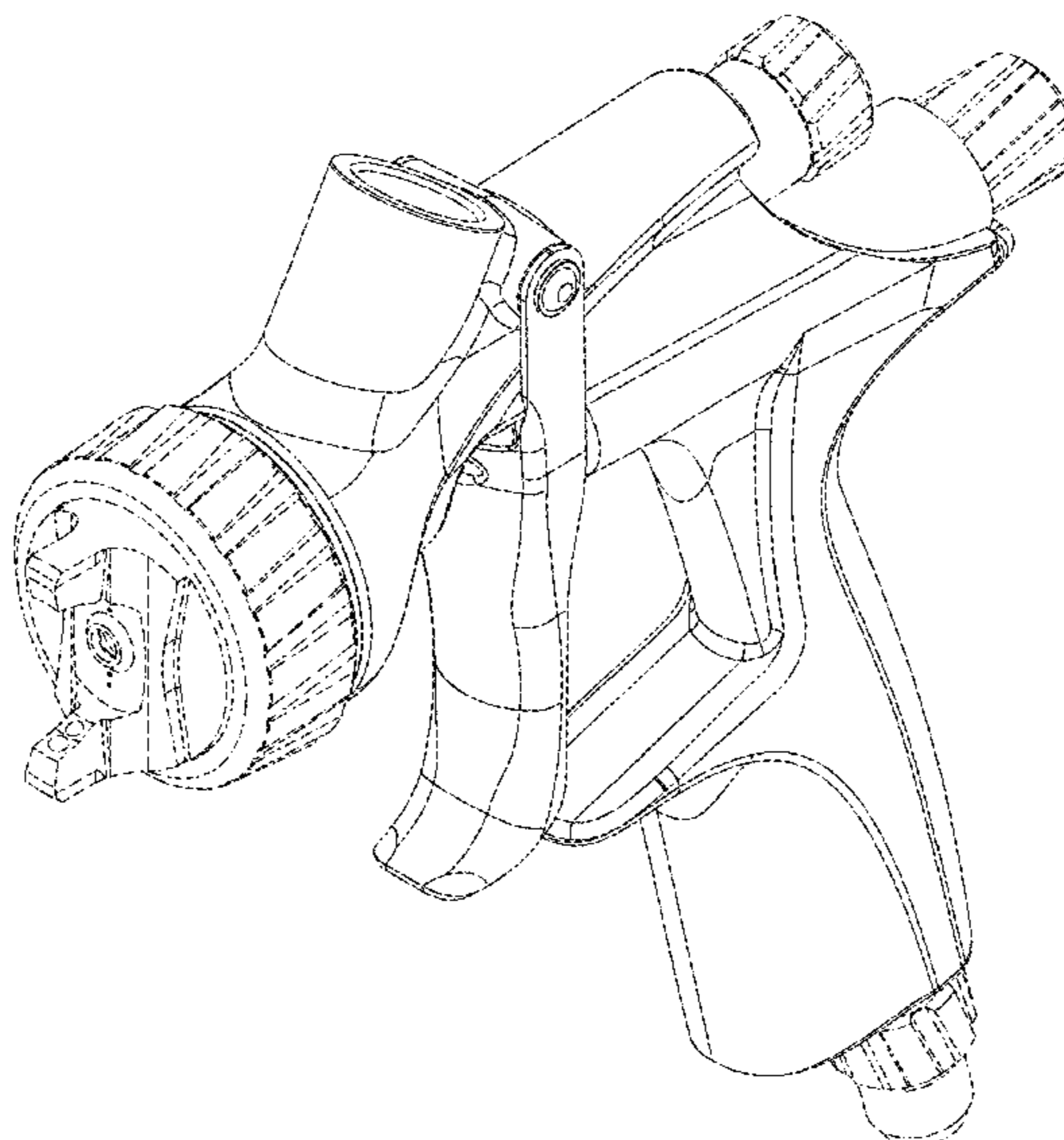
(57) **CLAIM**

The ornamental design for a spray gun, substantially as shown and described.

DESCRIPTION

FIG. 1 is an isometric view of a spray gun;
FIG. 2 is a right side view of the spray gun of FIG. 1;
FIG. 3 is a front view of the spray gun of FIG. 1;
FIG. 4 is a left side view of the spray gun of FIG. 1;
FIG. 5 is a rear view of the spray gun of FIG. 1;
FIG. 6 is a bottom view of the spray gun of FIG. 1; and,
FIG. 7 is a top view of the spray gun of FIG. 1.
The broken lines shown represent portions of the spray gun that form no part of the claimed design.

1 Claim, 7 Drawing Sheets



(56)

References Cited

U.S. PATENT DOCUMENTS

D835,235 S * 12/2018 Gehrung D23/226
D854,123 S * 7/2019 Becker D23/226
D858,698 S * 9/2019 Arino D23/213
D861,130 S * 9/2019 Carls D23/226
10,835,911 B2 * 11/2020 Gehrung B05B 12/002
10,870,120 B2 * 12/2020 Ruda B05B 7/2435
10,913,079 B2 * 2/2021 Wenzel B05B 1/34
2015/0017327 A1 * 1/2015 Myers B05B 7/1209
427/207.1
2017/0231212 A1 * 8/2017 Crenshaw A01M 7/0046
239/11
2019/0299233 A1 * 10/2019 Johnston B05B 9/01

OTHER PUBLICATIONS

Amazon, Graco Spray Package, Found on Oct. 6, 2020 https://www.amazon.com/Graco-289353-Spray-Package-Airspray/dp/B06XTQC9Y9/ref=sr_1_96?dchild=1&keywords=graco+sprayer+gun&qid=1601998670&sr=8-96 (Year: 2017).*

Senray Pressure Feed Air Spray Paint Gun, Pressure Pot Paint Sprayer Jan. 27, 2021, Amazon.com Mar. 25, 2021: URL (<https://www.amazon.com/Senray-Pressure-Spray-Sprayer-Without/dp/B08V5GY83Z/>) (Year: 2021).*

* cited by examiner

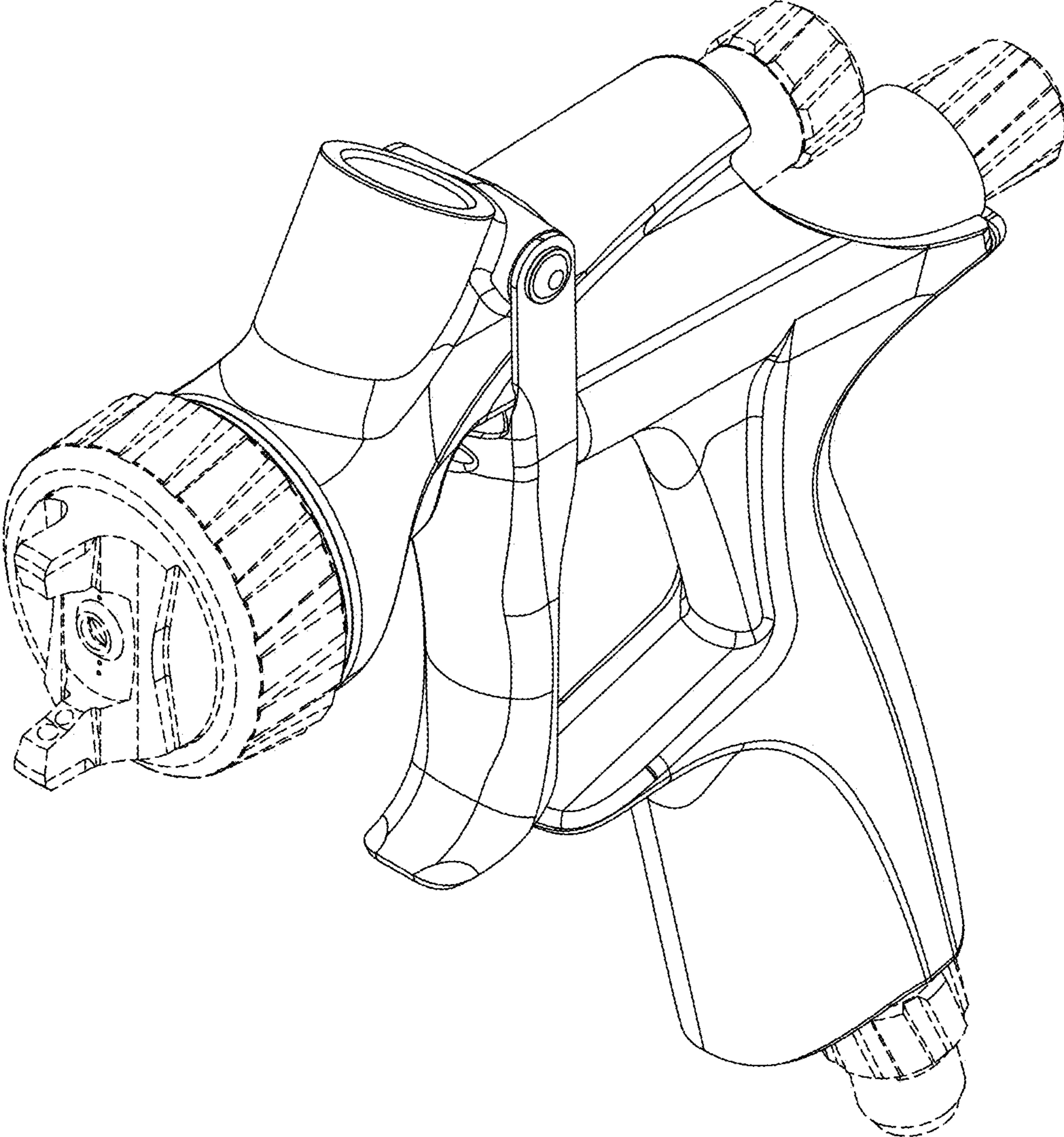


FIG. 1

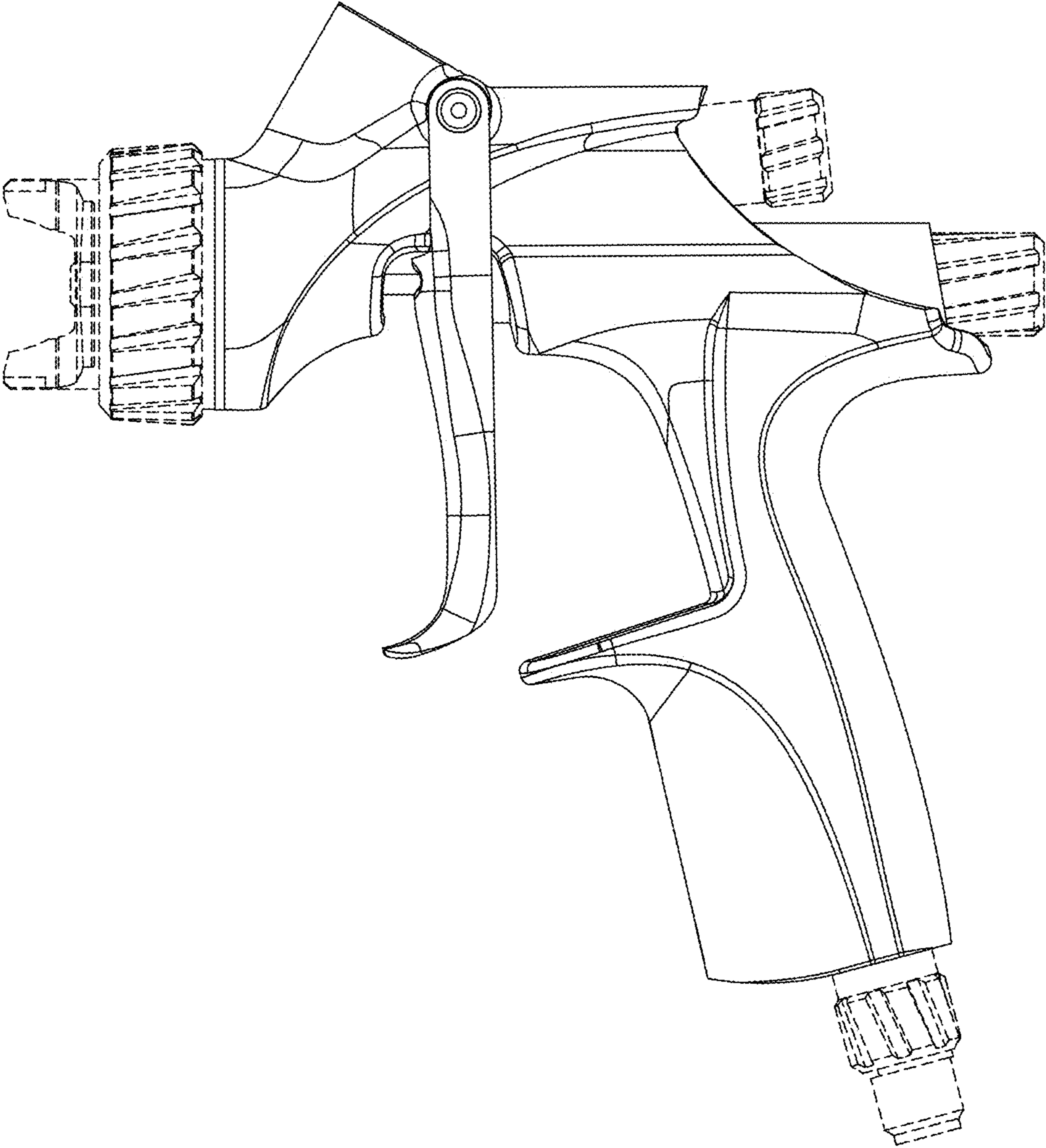


FIG. 2

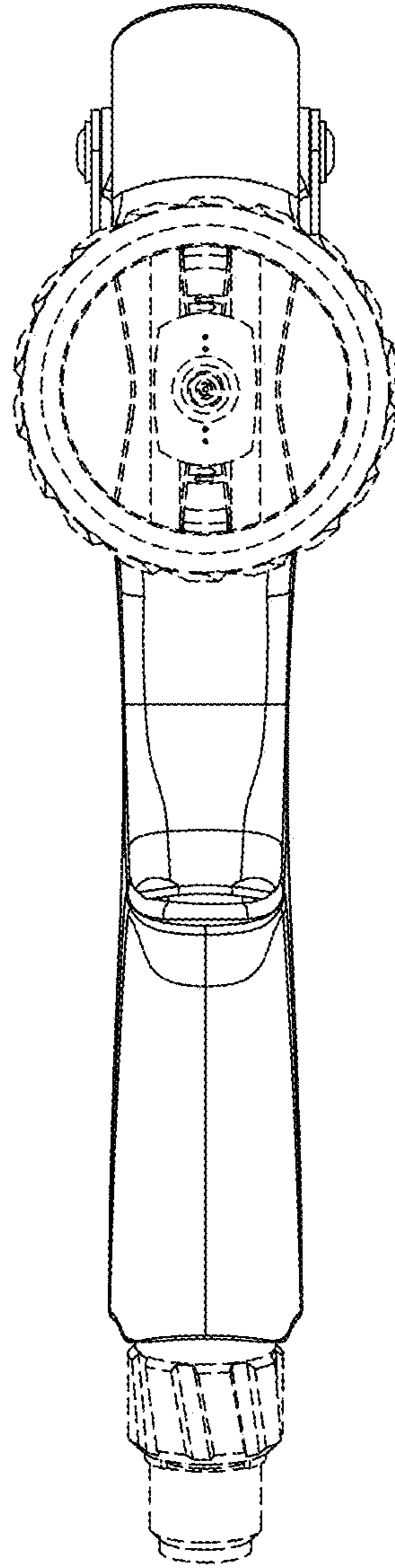


FIG. 3

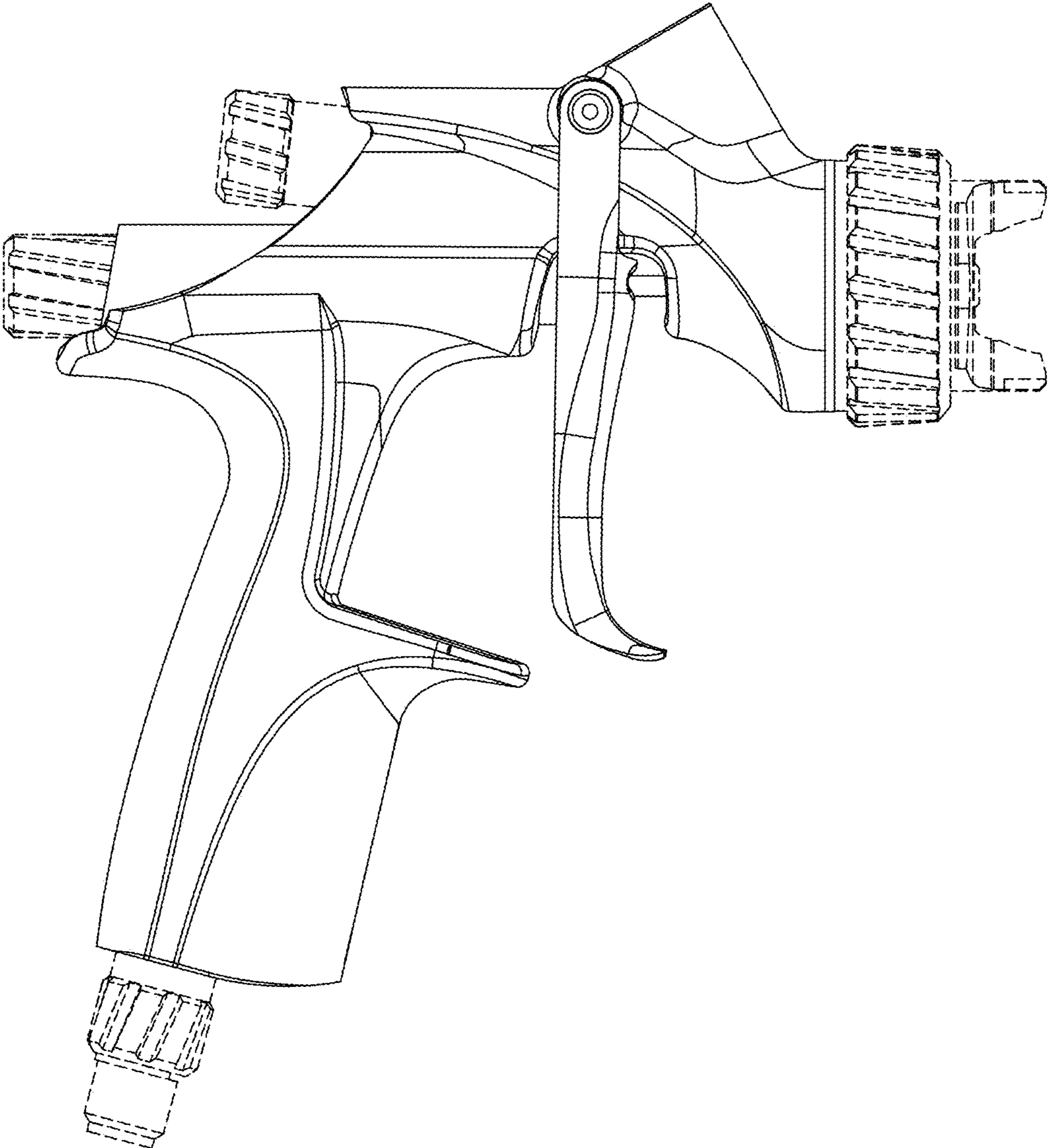


FIG. 4

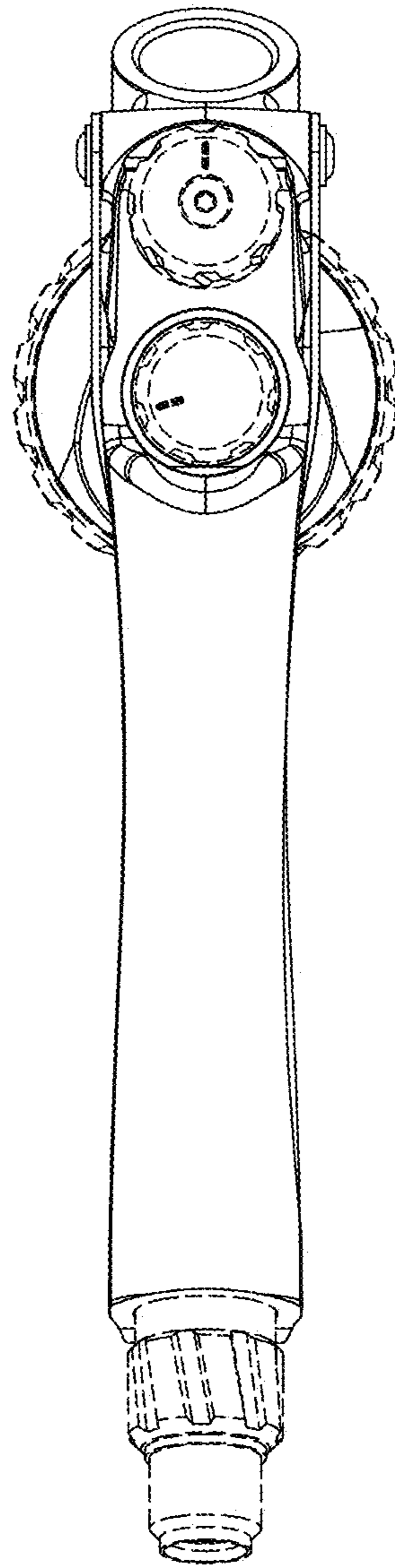


FIG. 5

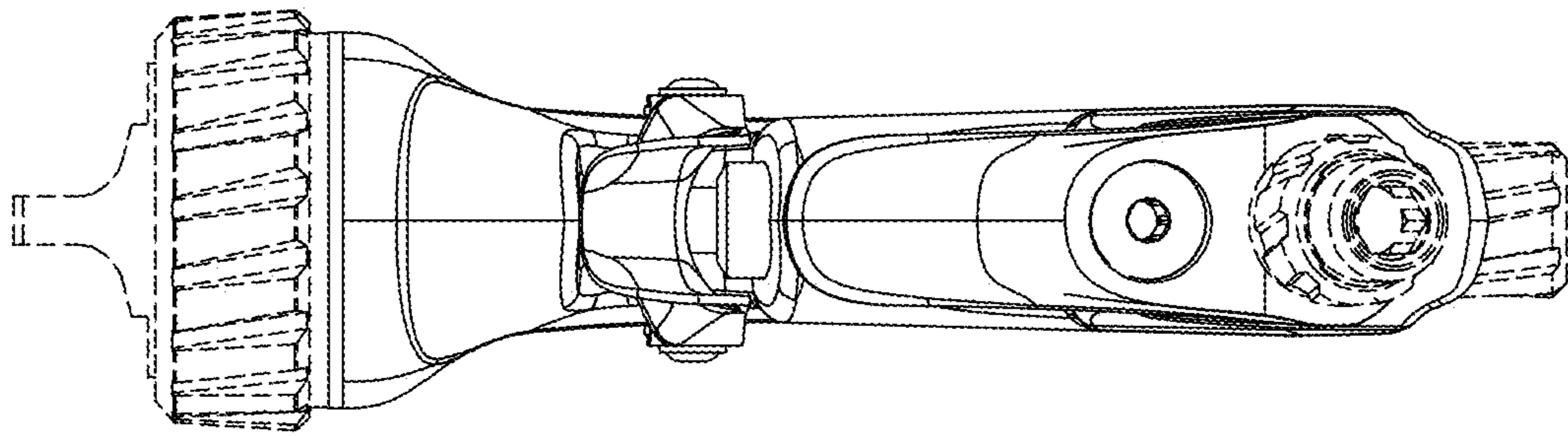


FIG. 6

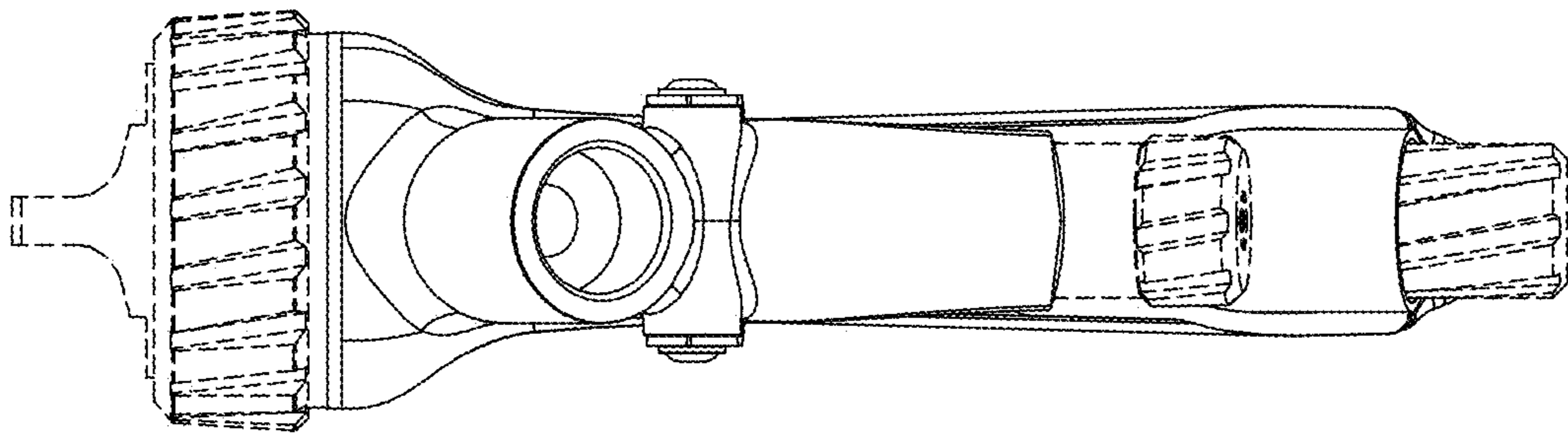


FIG. 7