



US00D927642S

(12) **United States Design Patent**
Wu

(10) **Patent No.:** **US D927,642 S**
(45) **Date of Patent:** **** Aug. 10, 2021**

(54) **SEAHORSE SHOWER HEAD**

(71) Applicant: **Purity (Xiamen) Sanitary Ware Co., Ltd.**, Xiamen (CN)

(72) Inventor: **Chin-Lung Wu**, Taichung (TW)

(73) Assignee: **PURITY (XIAMEN) SANITARY WARE CO., LTD.**, Xiamen (CN)

(**) Term: **15 Years**

(21) Appl. No.: **29/720,078**

(22) Filed: **Jan. 9, 2020**

(51) **LOC (13) Cl.** **23-01**

(52) **U.S. Cl.**
USPC **D23/222**

(58) **Field of Classification Search**
USPC D23/213, 214, 215, 223, 224, 226, 229, D23/230

CPC A61H 9/0021; A61H 33/00; B05B 1/00; B05B 1/14; B05B 1/185; B05B 1/08; B05B 1/02; B05B 1/26; B05B 12/002; B05B 1/18; B05B 9/01

See application file for complete search history.

(56) **References Cited**

U.S. PATENT DOCUMENTS

D498,514 S * 11/2004 Haug D23/223
D519,187 S * 4/2006 Tse D23/213
D565,703 S * 4/2008 Lammel D23/223
D587,340 S * 2/2009 Parsons D23/223

D901,627 S * 11/2020 Wu D23/213
D901,632 S * 11/2020 Wu D23/223
2020/0206754 A1 * 7/2020 Wu A47K 3/281

OTHER PUBLICATIONS

DolliBu Seahorse Bath Buddy Squirter.Sep. 2, 2016, Amazon.comApr. 13, 2021. URL: <https://www.amazon.com/Puzzled-Horse-Bath-Buddy-Squirter/dp/B005350FMU> (Year: 2016).*

* cited by examiner

Primary Examiner — Jack Reickel

Assistant Examiner — Keith J Wilson

(74) *Attorney, Agent, or Firm* — Pro-TECHTOR International Services; Ian Oglesby

(57) **CLAIM**

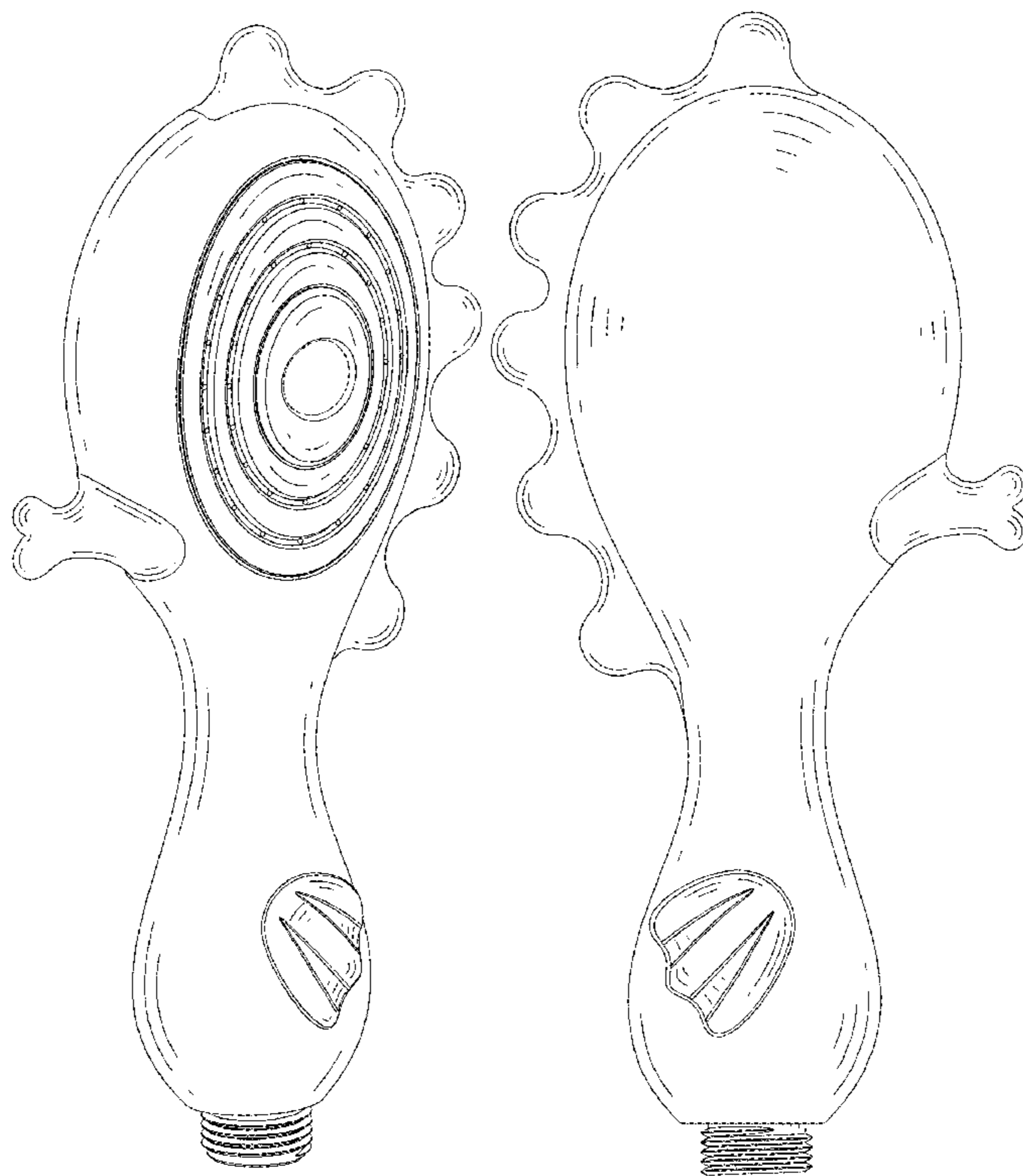
The ornamental design for a seahorse shower head, as shown and described.

DESCRIPTION

FIG. 1 is a front-right-top perspective view of a seahorse shower head showing my new design; FIG. 2 is a front elevation view thereof; FIG. 3 is a rear elevation view thereof; FIG. 4 is a left side view thereof; FIG. 5 is a right side view thereof; FIG. 6 is a top plan view thereof; and, FIG. 7 is a bottom plan view thereof.

The broken line showing of a seahorse shower head is included for the purpose of illustrating portions of the article and forms no part of the claimed design.

1 Claim, 7 Drawing Sheets



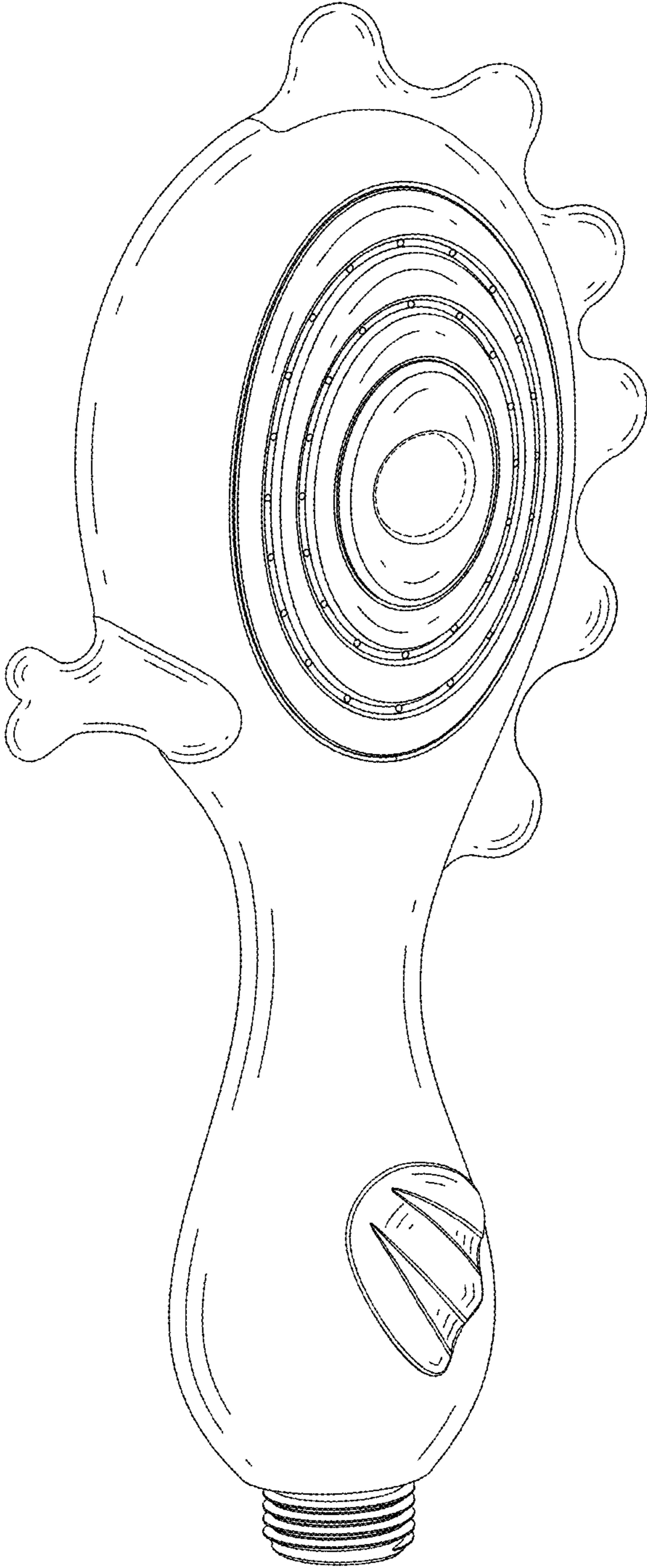


FIG.1

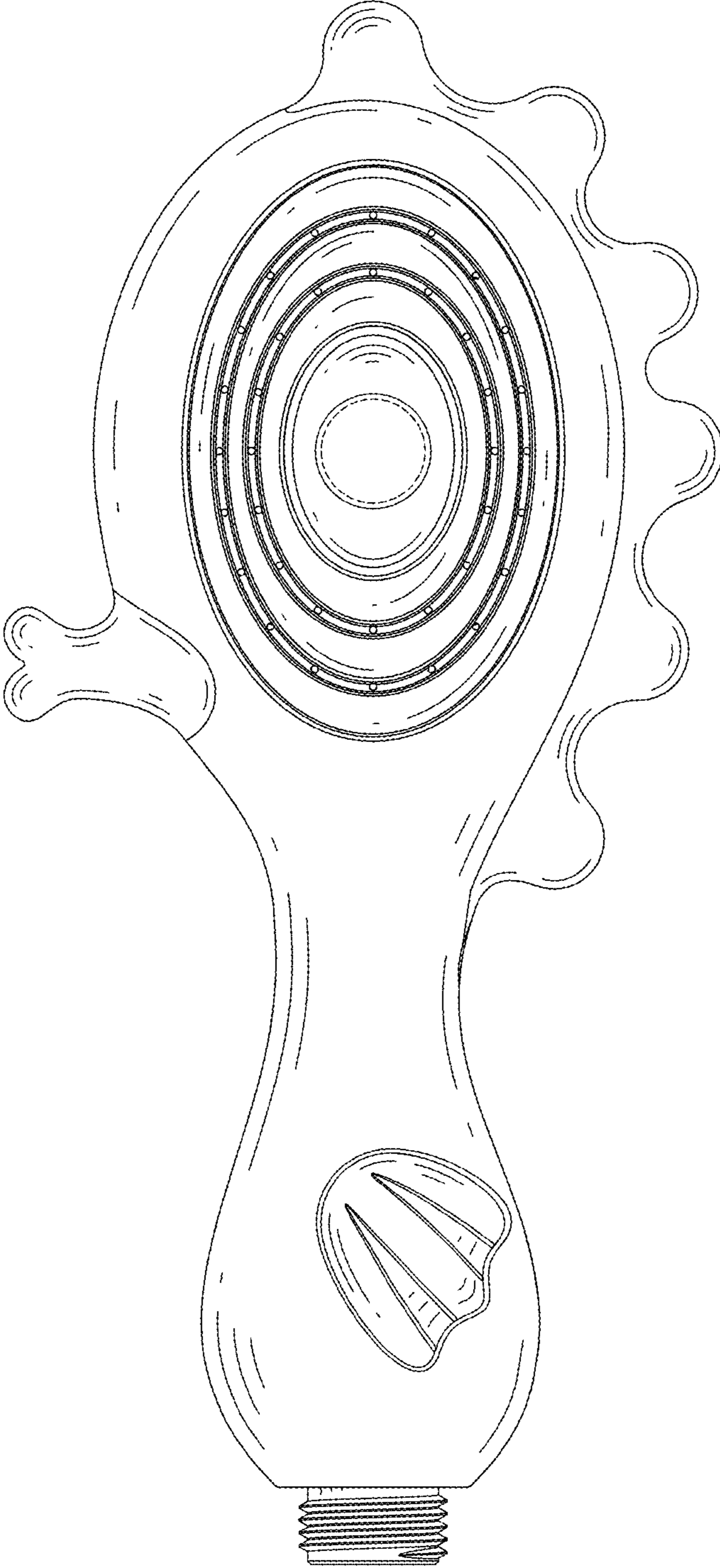


FIG.2

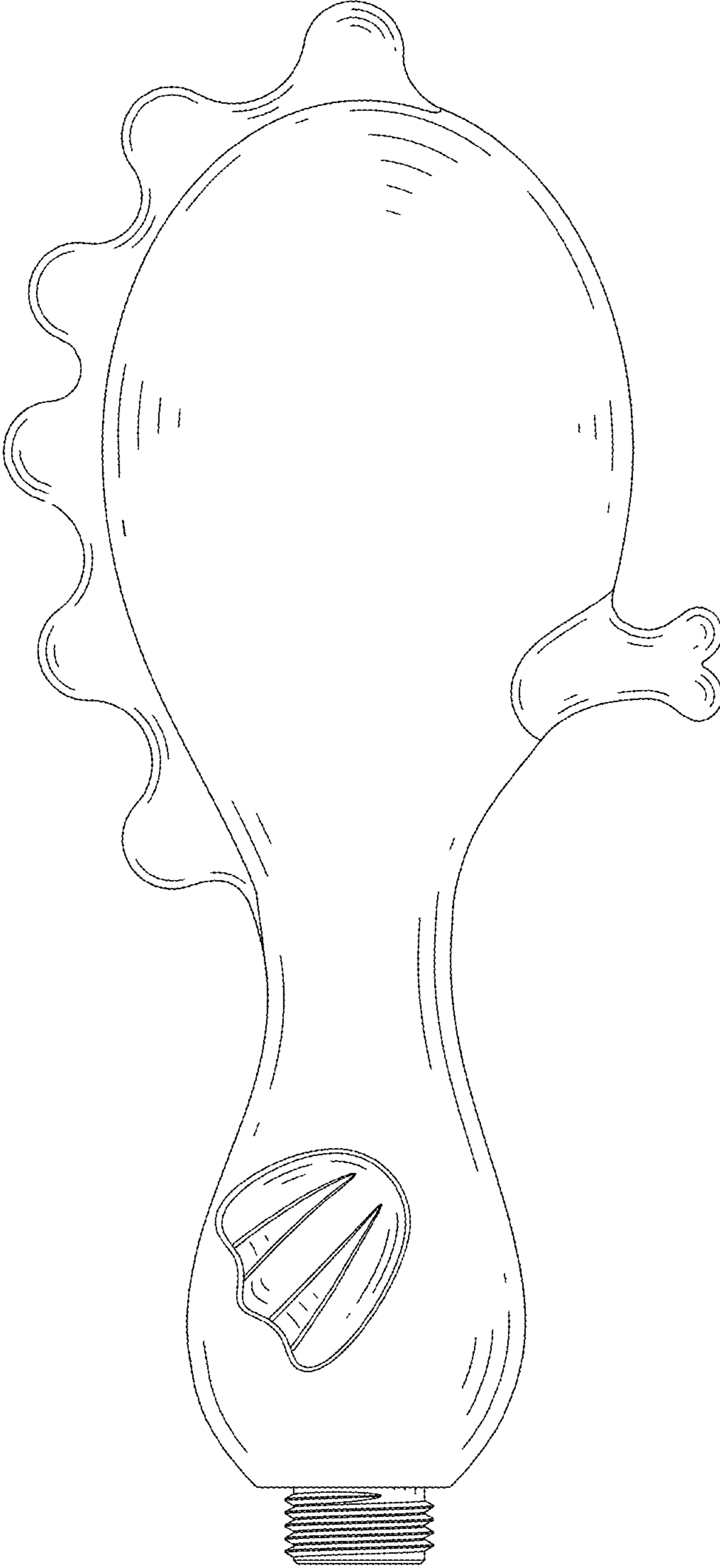


FIG. 3

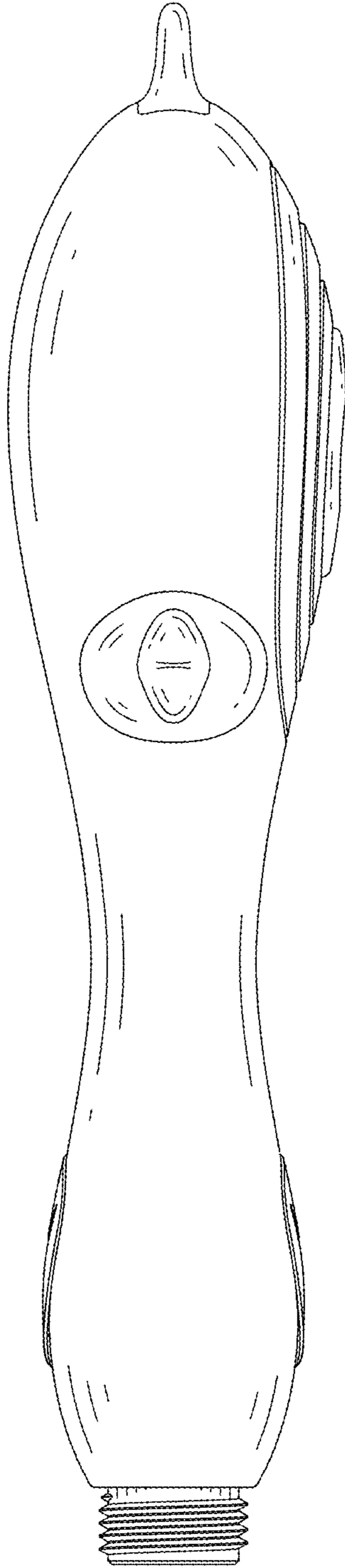


FIG. 4

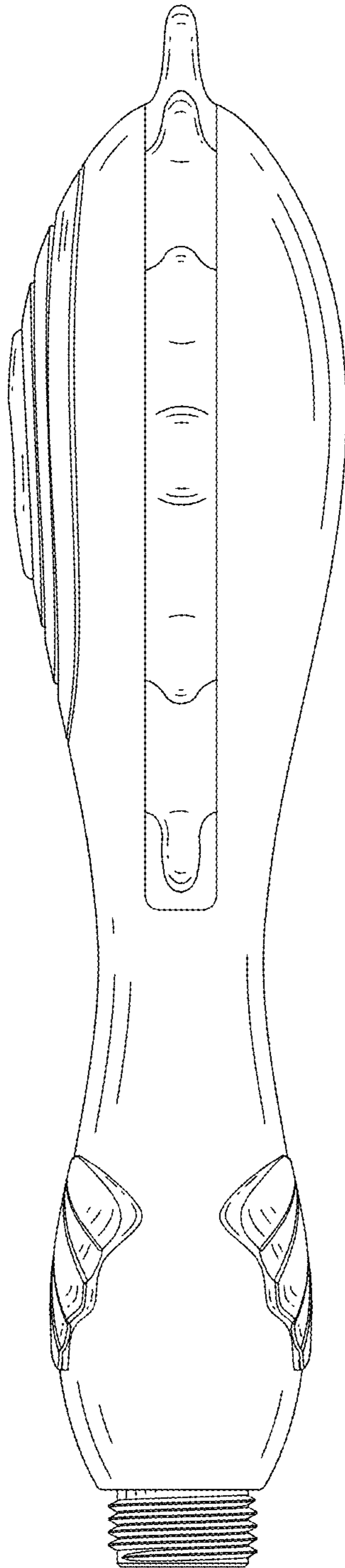


FIG. 5

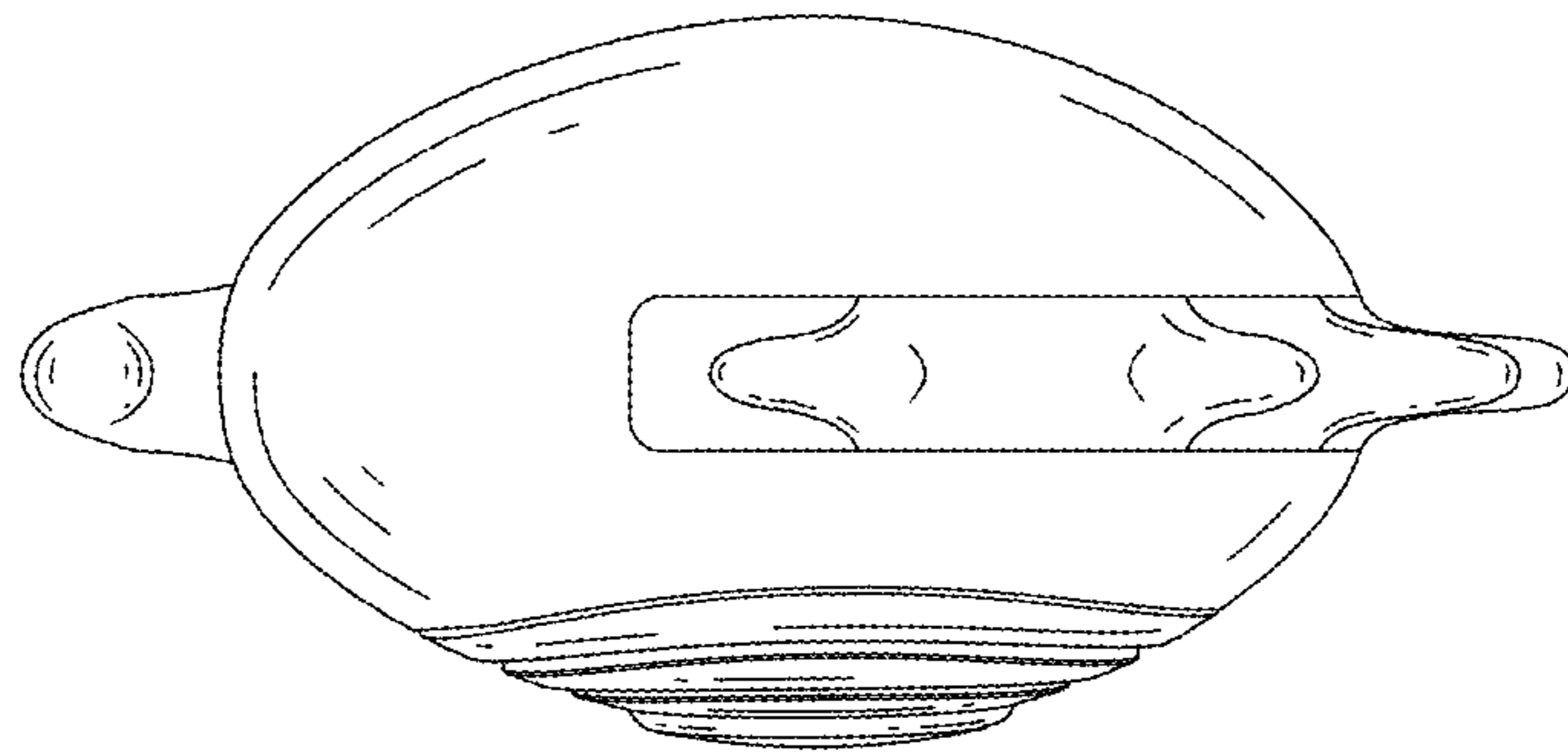


FIG.6

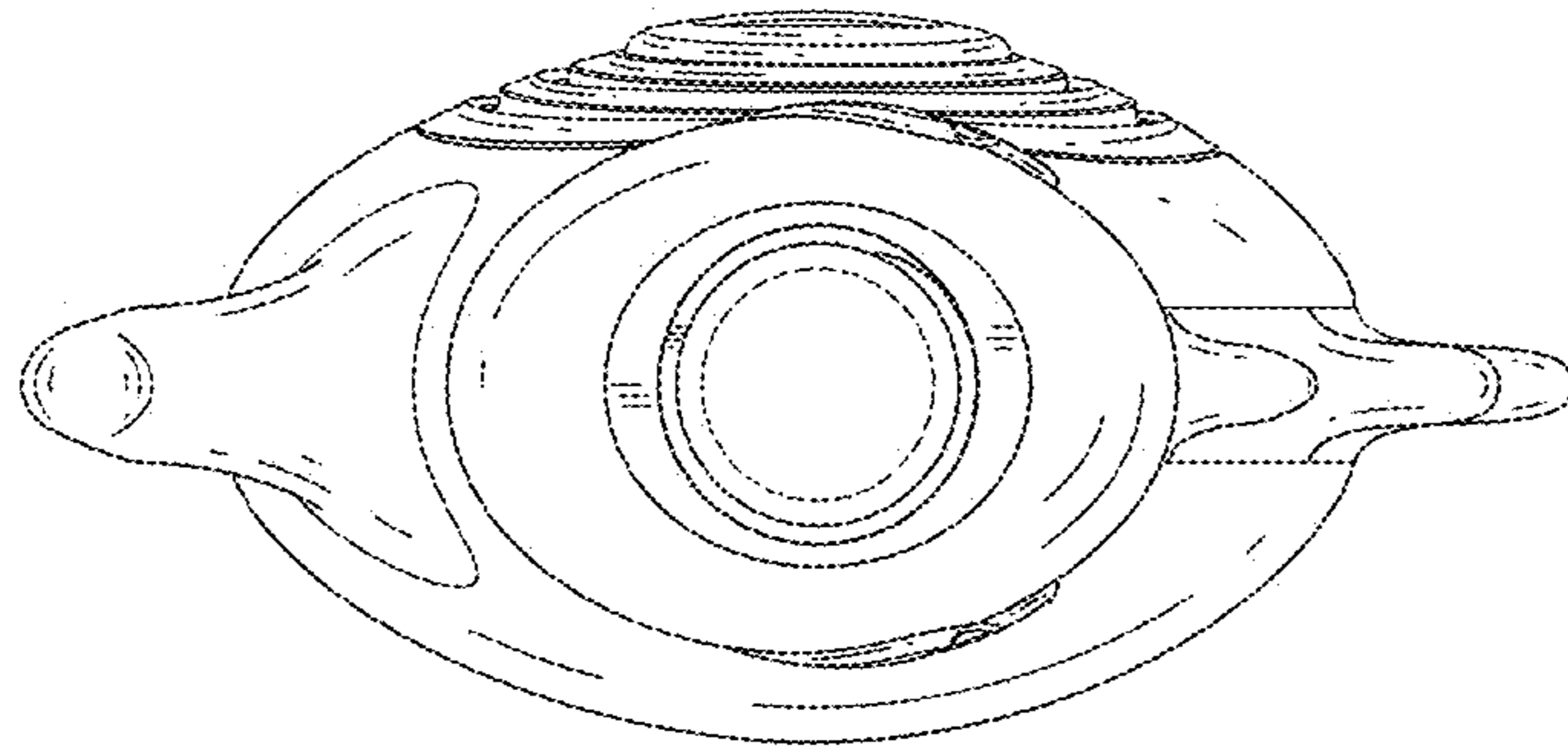


FIG.7