



US00D927641S

(12) **United States Design Patent** (10) **Patent No.:** **US D927,641 S**
Li (45) **Date of Patent:** **** Aug. 10, 2021**

(54) **SPLASH SPRINKLER**
(71) Applicant: **Xueling Li**, Guangdong (CN)
(72) Inventor: **Xueling Li**, Guangdong (CN)

D754,284 S * 4/2016 Stowers D23/216
D781,399 S 3/2017 Koiwa
D868,207 S * 11/2019 Hsieh D23/214
D894,339 S 8/2020 Ohkoshi et al.

(**) Term: **15 Years**

FOREIGN PATENT DOCUMENTS

(21) Appl. No.: **29/757,481**

CN 201930360377.1 * 2/2020
EM 006350310-0003 * 3/2019

(22) Filed: **Nov. 6, 2020**

* cited by examiner

(51) **LOC (13) Cl.** **23-01**

Primary Examiner — Karen S Acker

(52) **U.S. Cl.**

Assistant Examiner — Jonathan Emil Fiencke

USPC **D23/214**

(58) **Field of Classification Search**

(57) **CLAIM**

USPC D23/213, 214, 225
See application file for complete search history.

The ornamental design for a splash sprinkler, as shown and described.

(56) **References Cited**

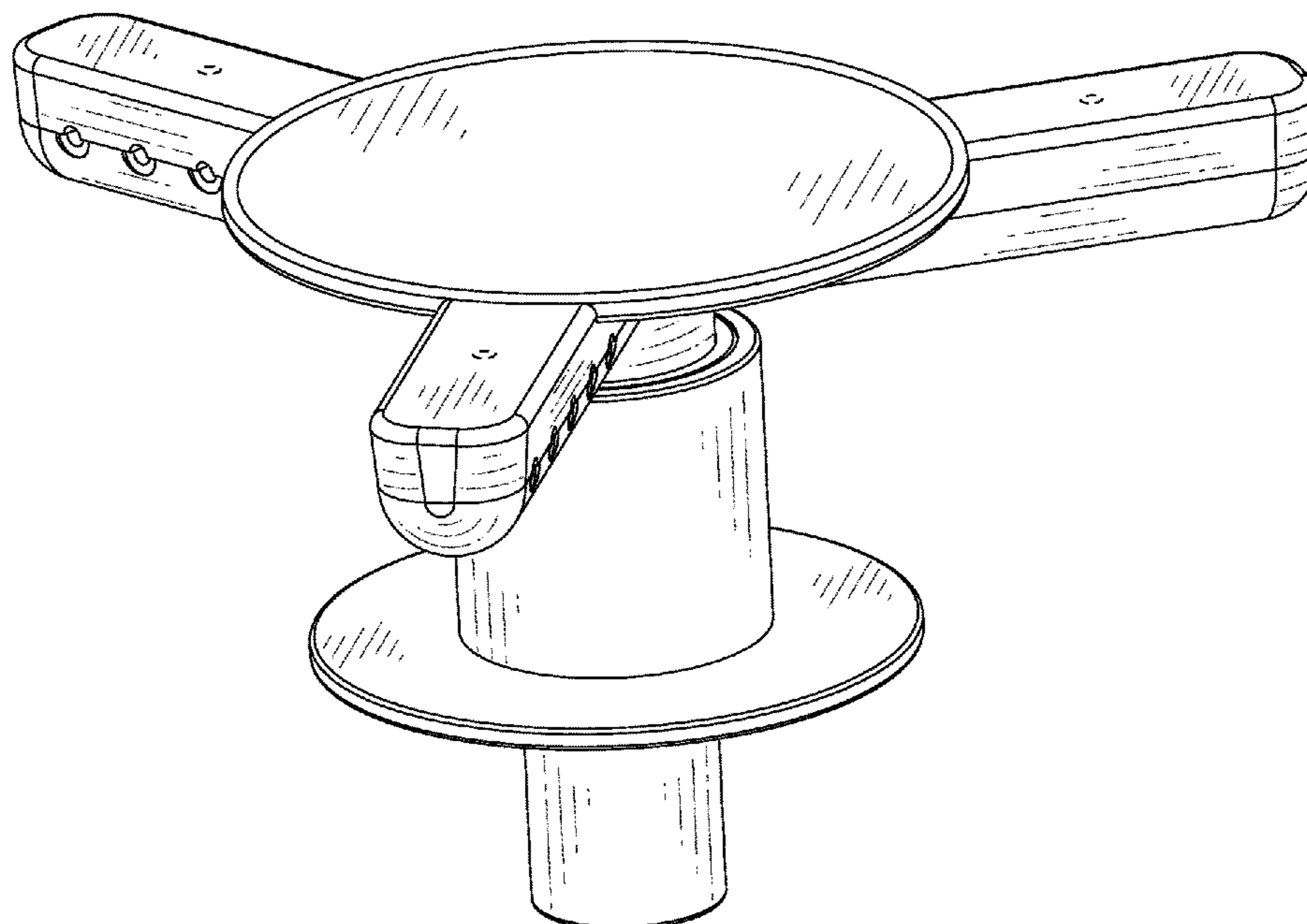
DESCRIPTION

U.S. PATENT DOCUMENTS

2,302,040	A	*	11/1942	Lyndon	B05B 3/06
						239/230
3,029,028	A	*	4/1962	Skerritt	B05B 15/625
						239/252
3,219,277	A	*	11/1965	Mattson	B05B 3/06
						239/253
D307,044	S	*	4/1990	Johnston	D23/220
D313,269	S	*	12/1990	Clivio	D23/220
D346,009	S	*	4/1994	Simonetti	D23/220
5,307,993	A	*	5/1994	Simonetti	B05B 3/06
						239/247
5,746,374	A	*	5/1998	Simonetti	B05B 1/1645
						239/240
D399,915	S	*	10/1998	McEachen	D23/214
D457,597	S	*	5/2002	Chen	D23/220
D492,005	S	*	6/2004	Wang	D23/214
D699,321	S		2/2014	Karihara		
8,887,821	B2		11/2014	Cordell et al.		
D724,696	S		3/2015	Barmoav		
D726,871	S		4/2015	Keynan		

FIG. 1 is a perspective view of a splash sprinkler showing my new design;
FIG. 2 is a front elevational view thereof;
FIG. 3 is a rear elevational view thereof;
FIG. 4 is a left side elevational view thereof;
FIG. 5 is a right side elevational view thereof;
FIG. 6 is a top plan view thereof;
FIG. 7 is a bottom plan view thereof; and,
FIG. 8 is another perspective view thereof.
The broken lines throughout the drawing figures and all areas between the broken lines adjacent to the circular solid lines in FIGS. 7 and 8 depict portions of the splash sprinkler that form no part of the claimed design.
The oblique shading lines in the drawings are included to denote the reflective quality of surface planes on the splash sprinkler.

1 Claim, 8 Drawing Sheets



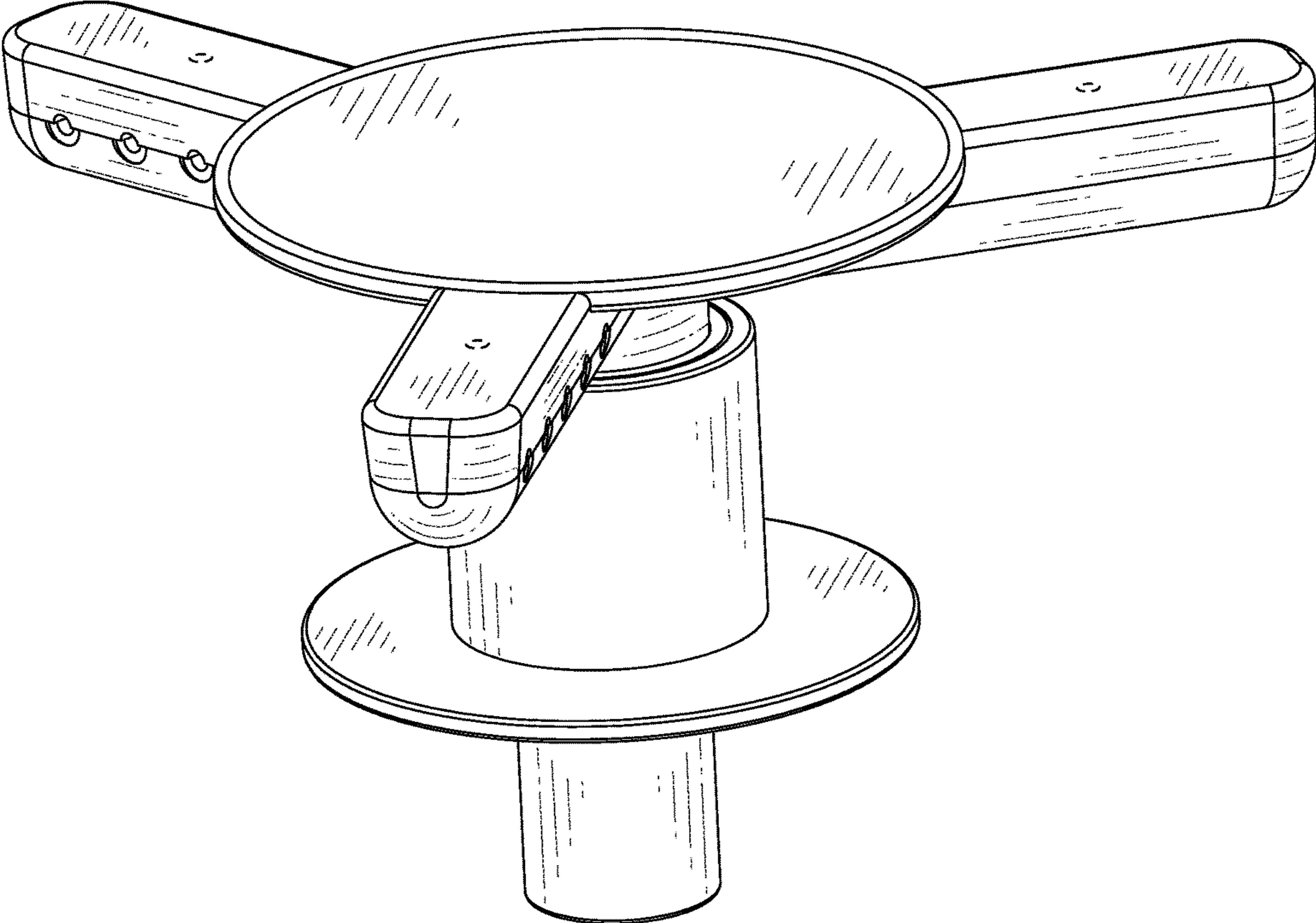


FIG.1

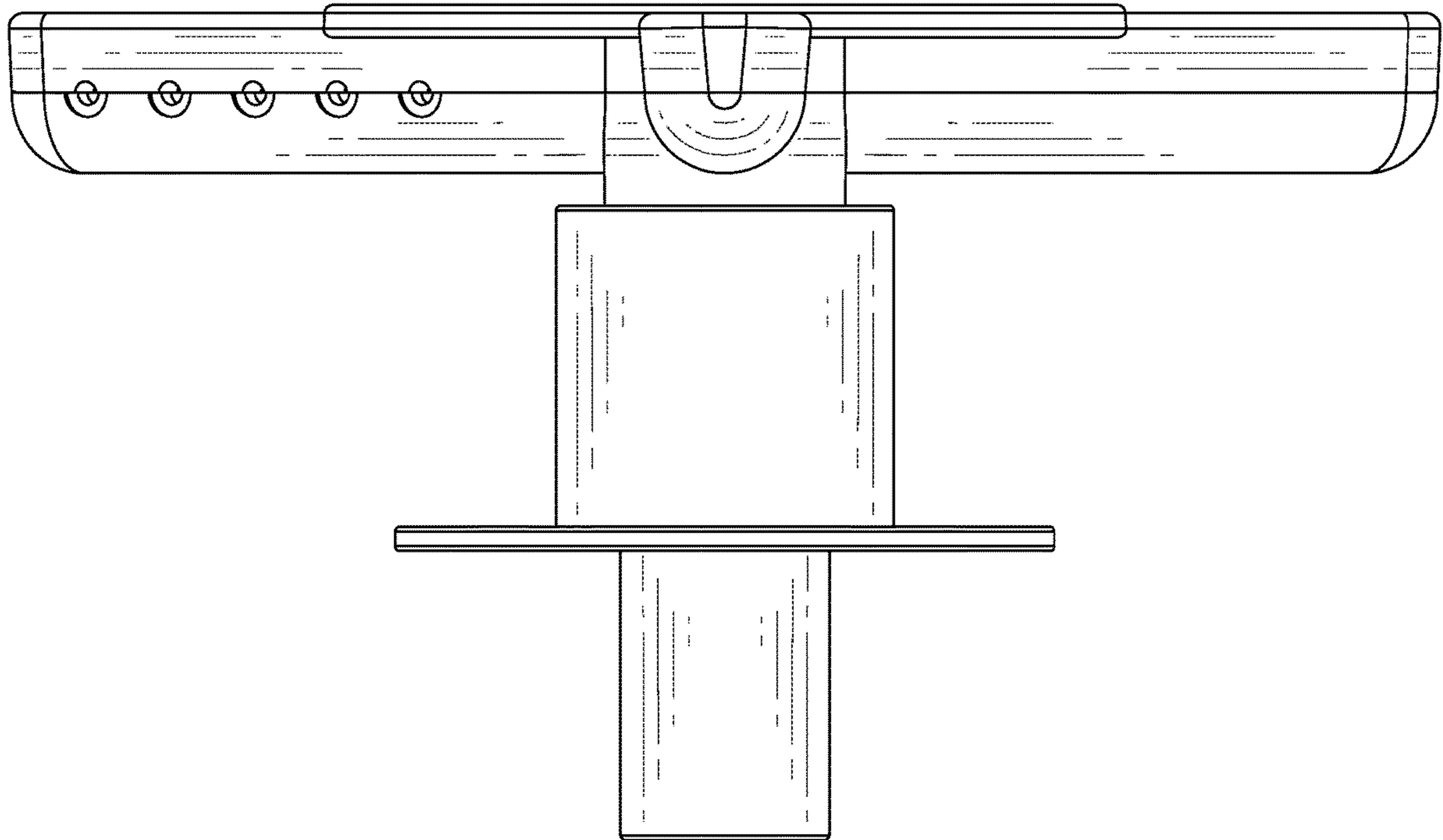


FIG.2

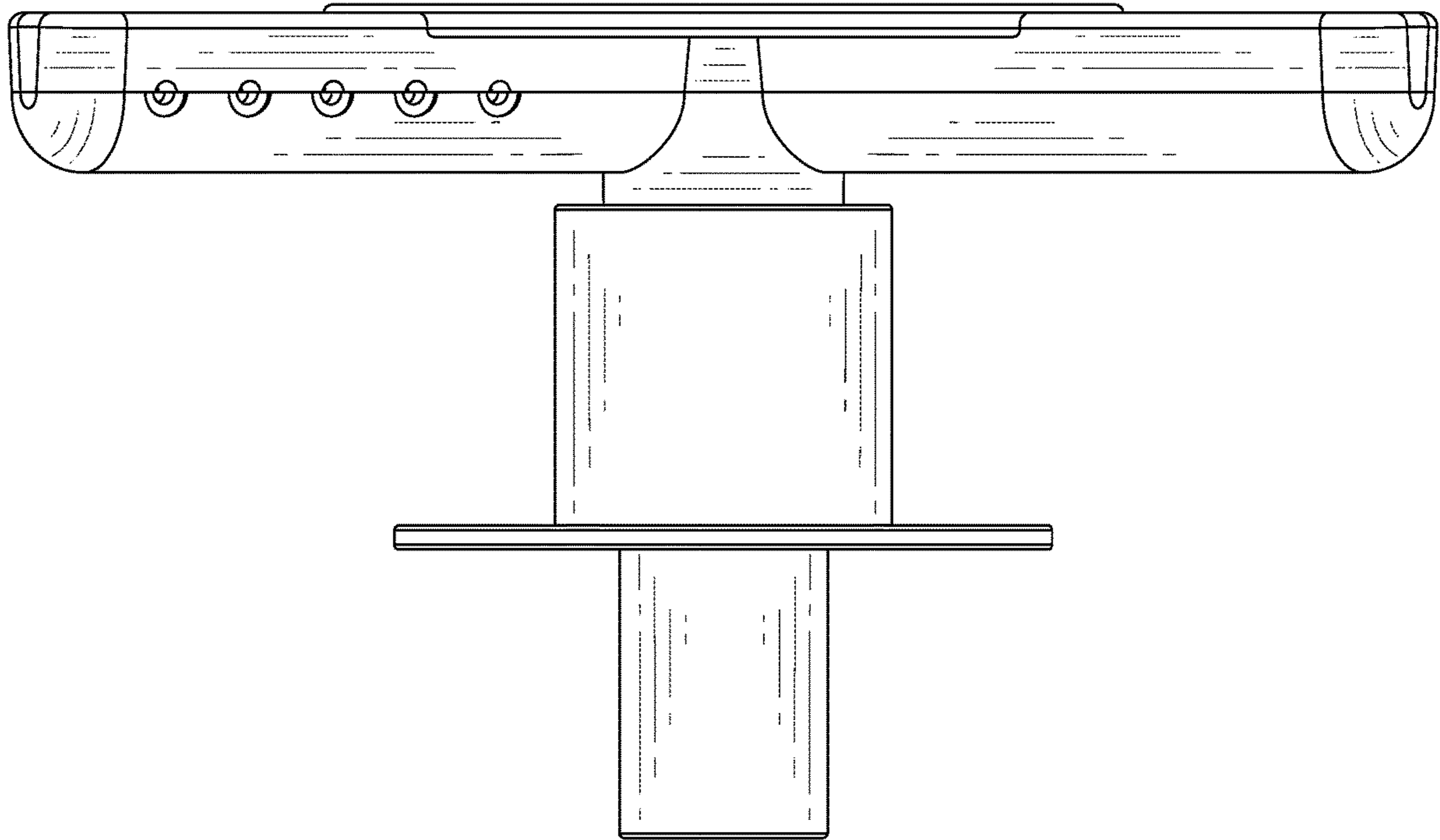


FIG.3

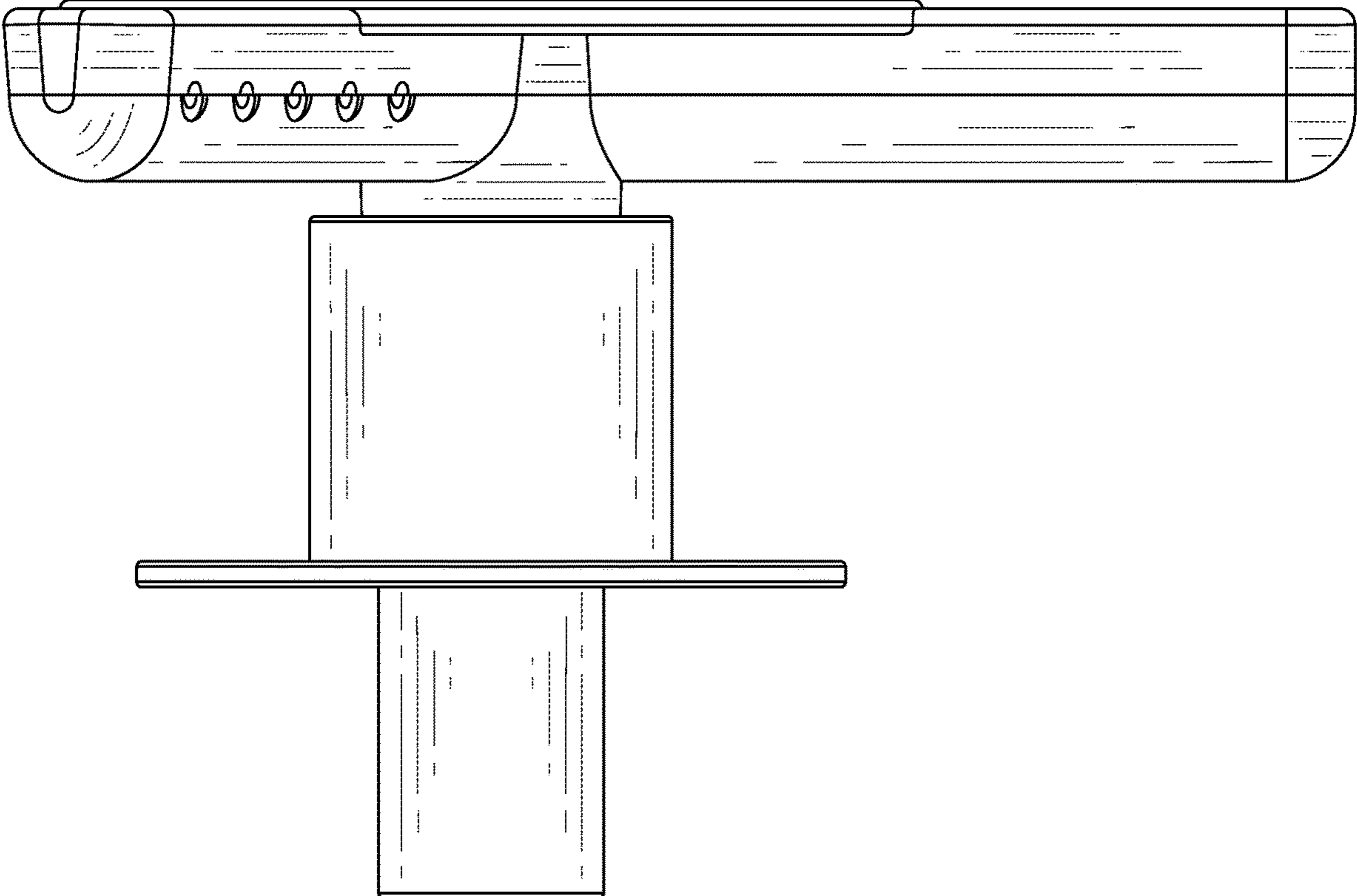


FIG.4

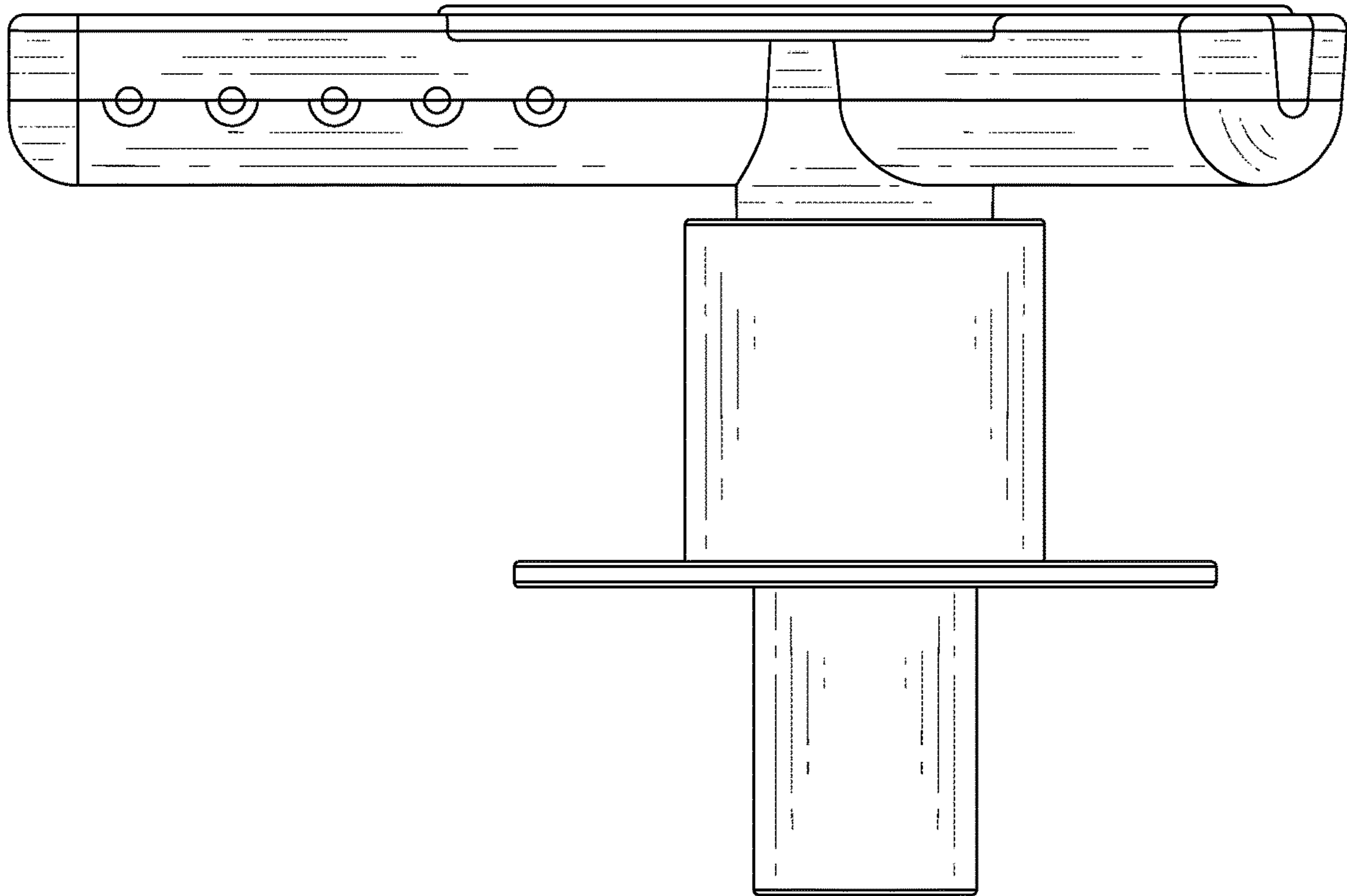


FIG.5

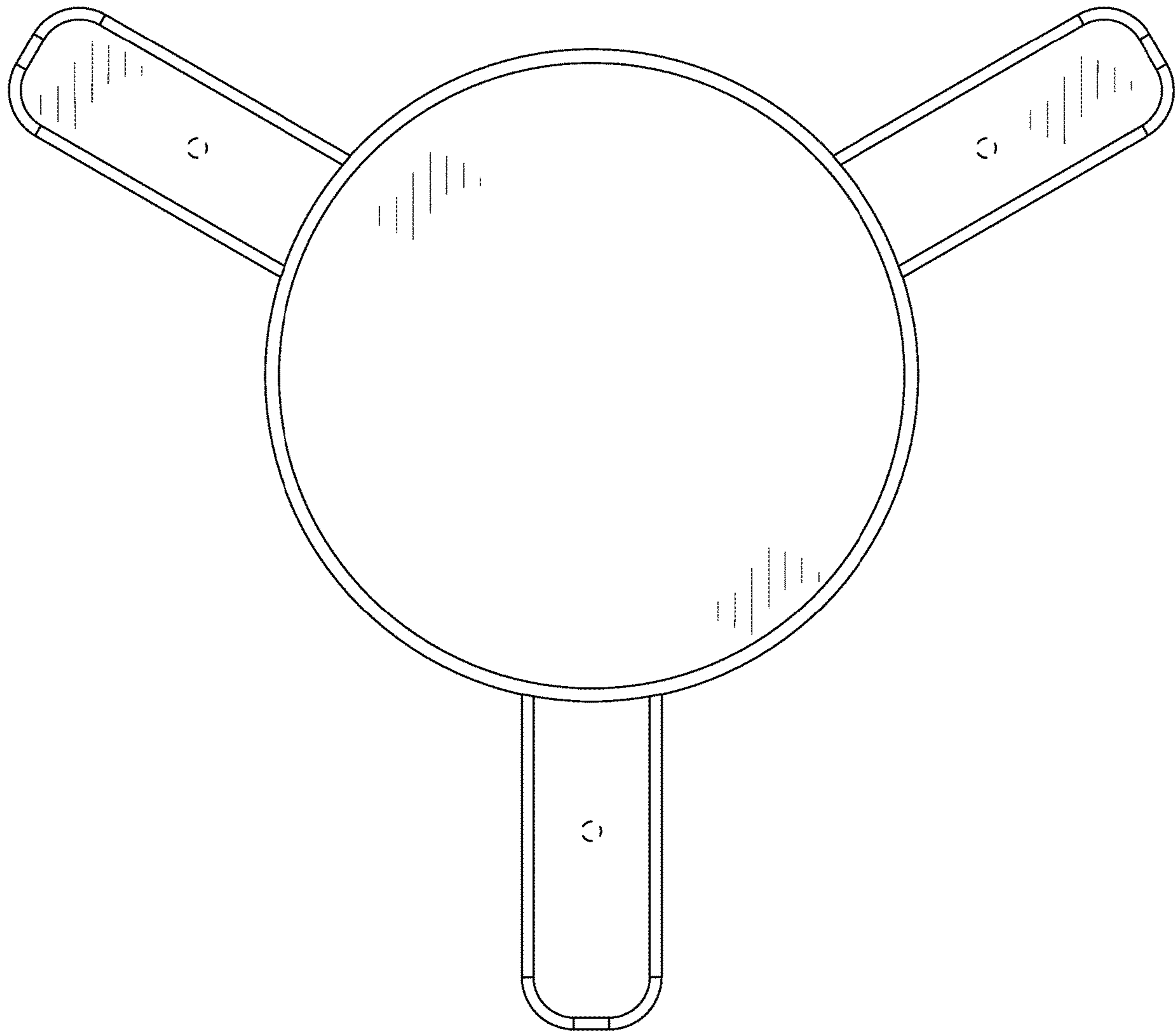


FIG. 6

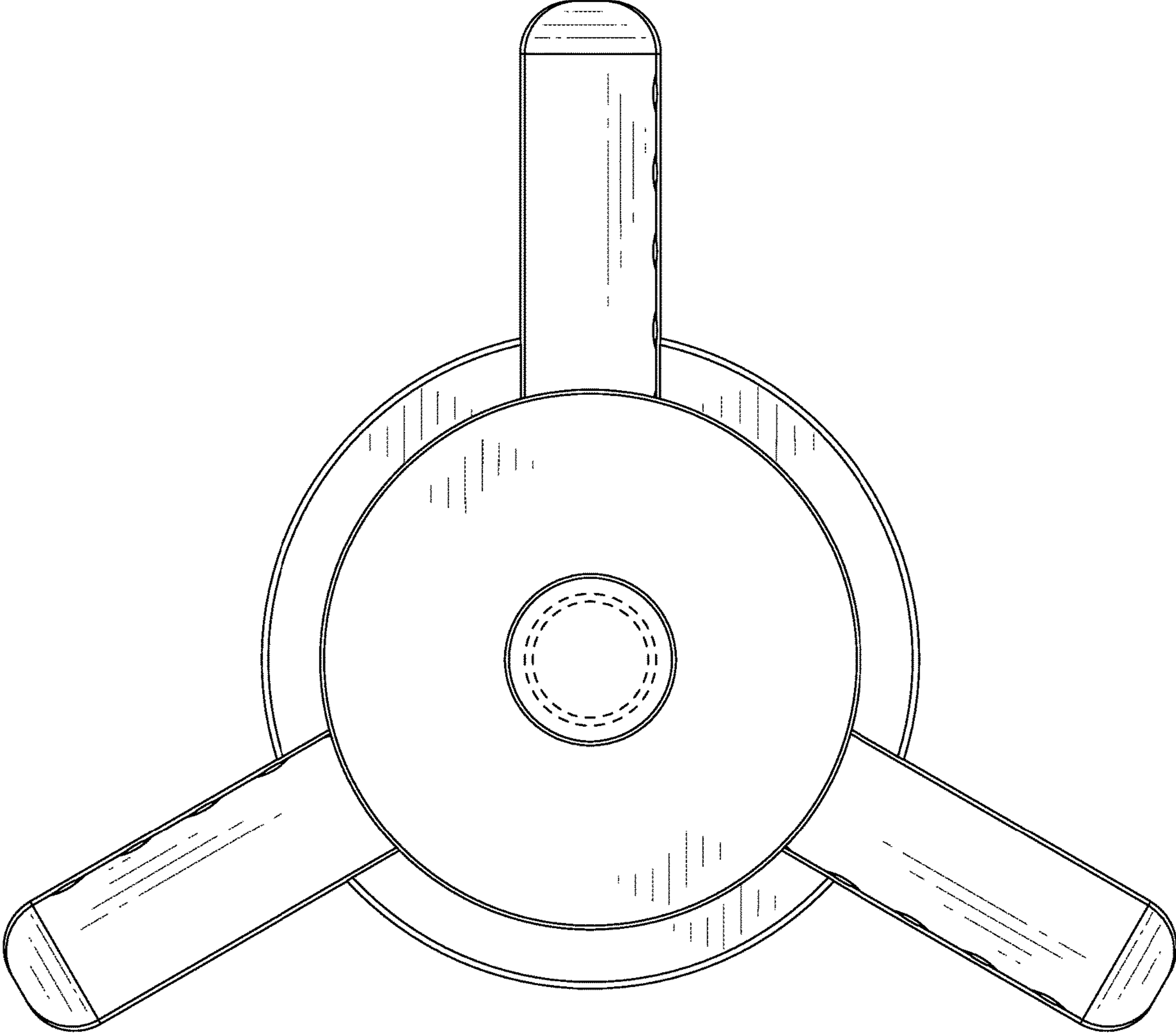


FIG. 7

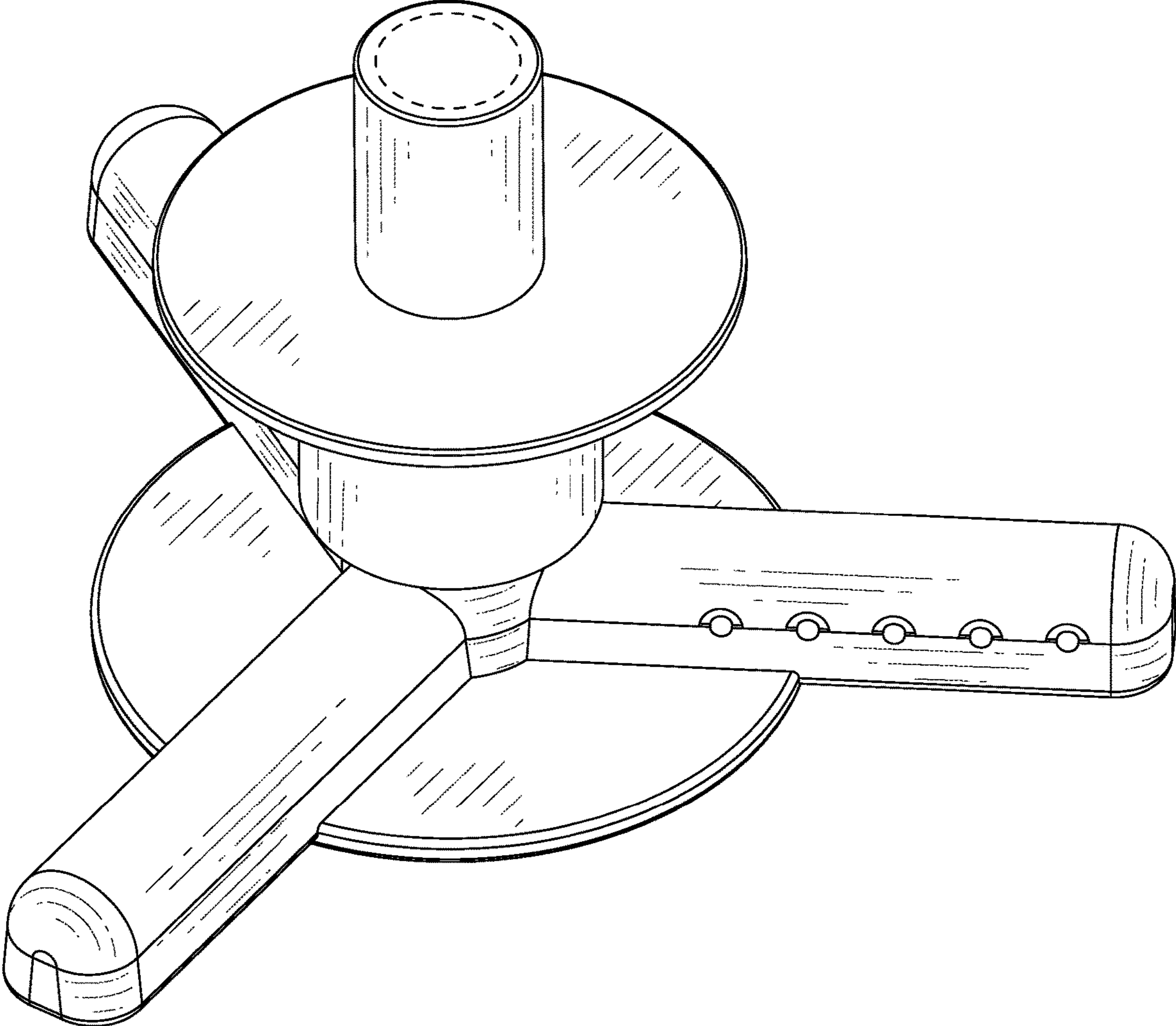


FIG. 8