



US00D927640S

(12) **United States Design Patent**  
**Zhang**

(10) **Patent No.:** **US D927,640 S**

(45) **Date of Patent:** **\*\* Aug. 10, 2021**

(54) **SHOWER HEAD**

(71) Applicant: **Xinrui Zhang**, Kaiping (CN)

(72) Inventor: **Xinrui Zhang**, Kaiping (CN)

(\*\*) Term: **15 Years**

(21) Appl. No.: **29/720,167**

(22) Filed: **Jan. 10, 2020**

(51) **LOC (13) Cl.** ..... **23-01**

(52) **U.S. Cl.**  
USPC ..... **D23/213**

(58) **Field of Classification Search**  
USPC ..... D23/213, 214, 215, 223, 224, 226, 229  
CPC ..... A61H 9/0021; A61H 33/00; B05B 1/00;  
B05B 1/14; B05B 1/185; B05B 1/08;  
B05B 1/02; B05B 1/26; B05B 12/002;  
B05B 1/18; B05B 9/01

See application file for complete search history.

(56) **References Cited**

**U.S. PATENT DOCUMENTS**

D557,764 S	*	12/2007	Schonherr	.....	D23/213
D630,706 S	*	1/2011	Giggs	.....	D23/213
D678,465 S	*	3/2013	Zhadanov	.....	D23/213
D680,617 S	*	4/2013	Zhadanov	.....	D23/213
D705,392 S	*	5/2014	Bailey	.....	D23/213
D724,180 S	*	3/2015	Lin	.....	D23/213
D842,967 S	*	3/2019	Farley	.....	D23/213
D901,630 S	*	11/2020	Wu	.....	D23/213
D907,743 S	*	1/2021	Wu	.....	D23/213
D908,836 S	*	1/2021	Wu	.....	D23/213
11,000,860 B2	*	5/2021	Wu	.....	E03C 1/055
2021/0086205 A1	*	3/2021	Downey	.....	A47K 3/28
2021/0129161 A1	*	5/2021	Xu	.....	B05B 1/18

**OTHER PUBLICATIONS**

R Flory 3.75" High-Pressure Shower Head Anti-leak Fixed Showerhead 360°, Nov. 20, 2019, Amazon.com, Jun. 3, 2021 .URL: https://www.

amazon.com/dp/B081RR4PYL/ref=sbl\_dp\_x\_B004GGU5H2\_0 (Year: 2019).\*

Moen 23026 Adler 3.5-Inch 4-Function Showerhead, Chrome, Nov. 4, 2012, Amazon.com, Jun. 10, 2021.URL: https://www.amazon.com/Moen-23026-Multi-Function-Shower-Collection/dp/B00A1CK4QC (Year: 2012).\*

6-Spray 4.4 in. Single Wall Mount Fixed Shower Head in Chrome, Sep. 10, 2017, Homedepot.com, Jun. 10, 2021.URL: https://www.homedepot.com/p/Delta-6-Spray-4-4-in-Single-Wall-Mount-Fixed-Shower-Head-in-Chrome-75641/301138547 (Year: 2017).\*

High Pressure Shower Head Hopopro 5 Modes Bathroom Showerhead 4.1 Inch High Flow Shower Head, Jul. 1, 2019, Amazon.com, Jun. 10, 2021. URL: https://www.amazon.com/Pressure-Showerhead-Upgraded-Settings-Multi-Functional/dp/B07SQ4R65K (Year: 2019).\*

(Continued)

*Primary Examiner* — Jack Reickel  
*Assistant Examiner* — Keith J Wilson  
(74) *Attorney, Agent, or Firm* — Rumit Ranjit Kanakia

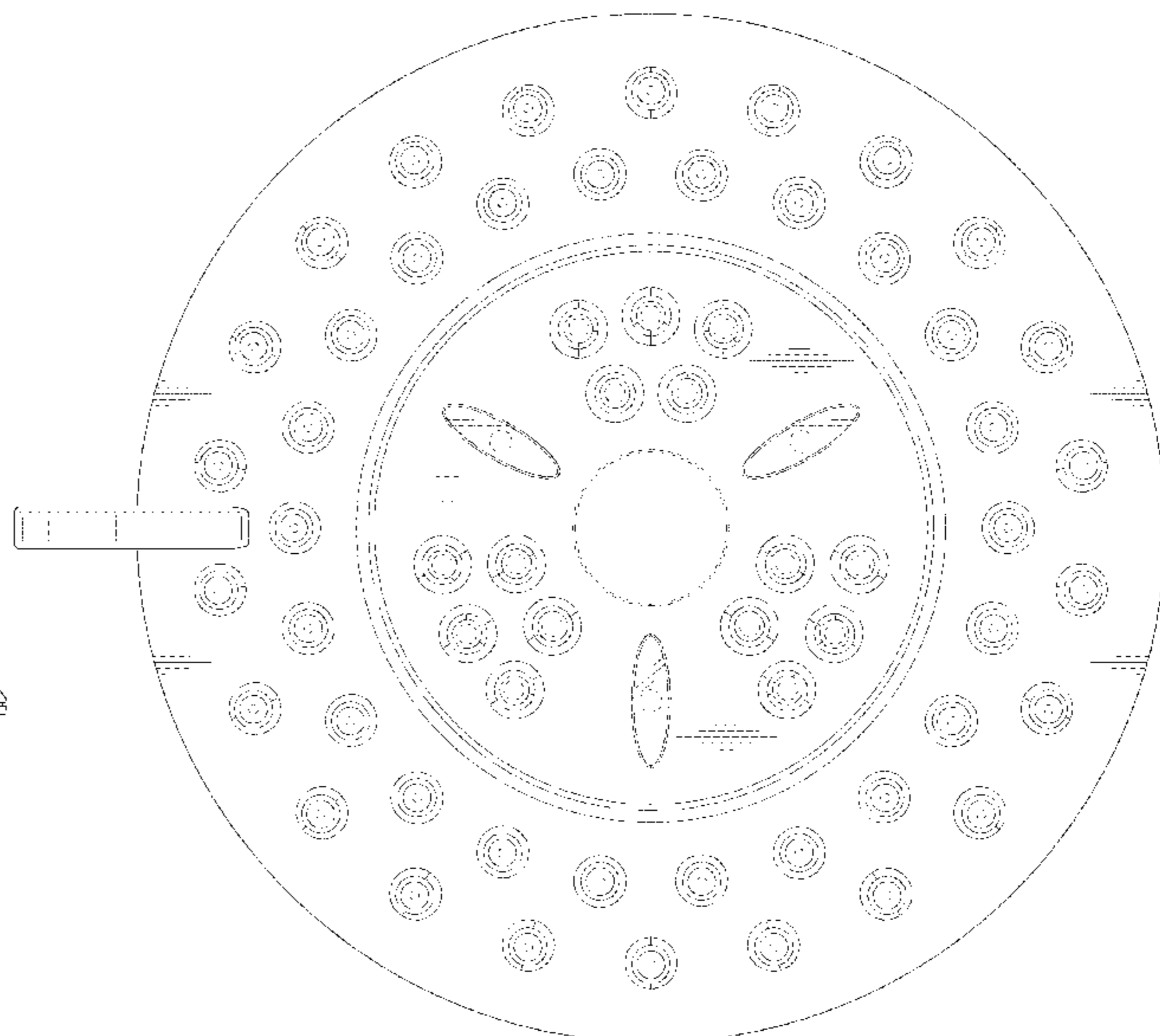
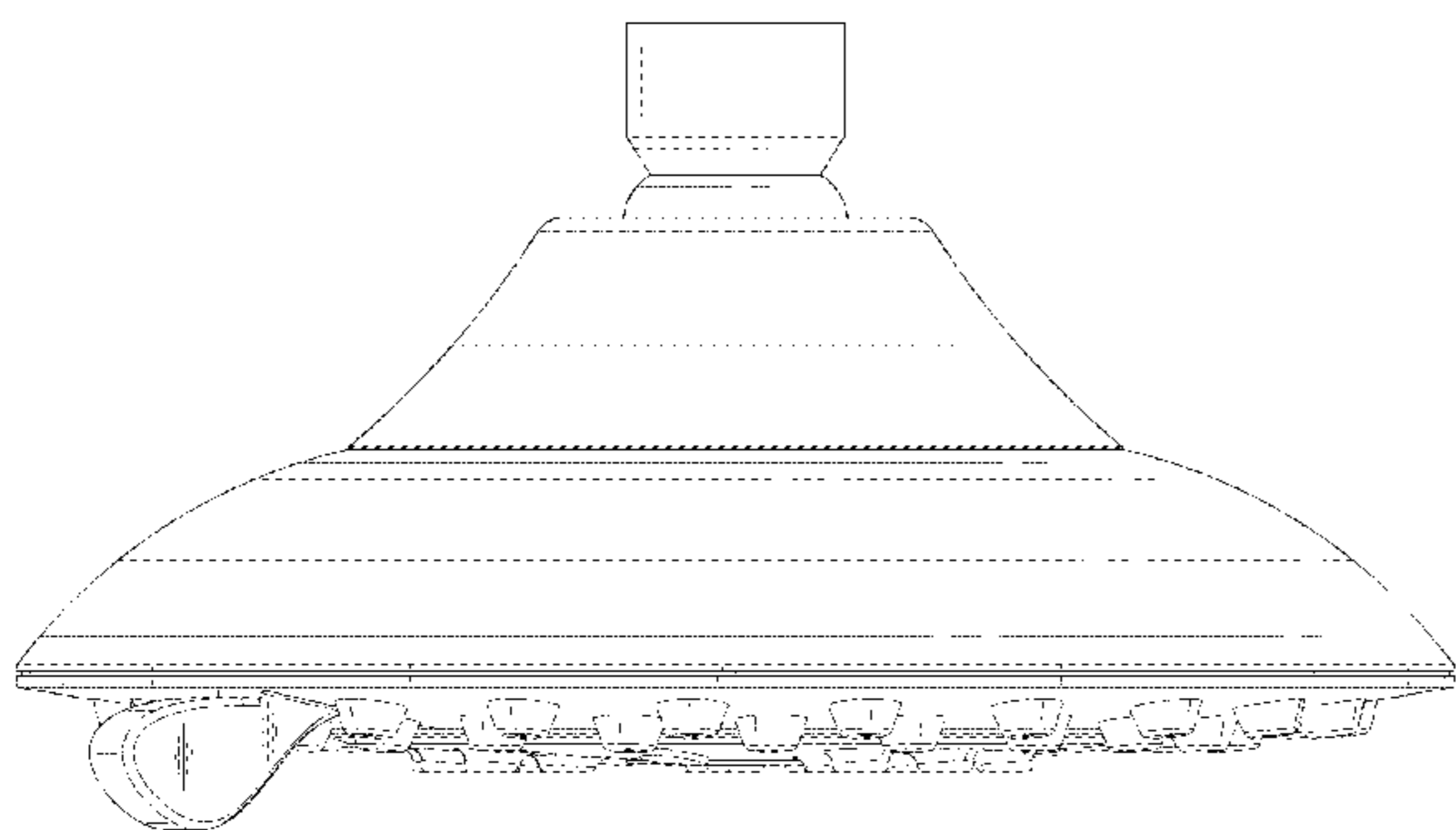
(57) **CLAIM**

I claim the ornamental design for a shower head, as shown and described.

**DESCRIPTION**

FIG. 1 is a Perspective view of a shower head showing my new design;  
FIG. 2 is other Perspective view thereof;  
FIG. 3 is a Front view thereof;  
FIG. 4 is a Back view thereof;  
FIG. 5 is a Left-side view thereof;  
FIG. 6 is a Right-side view thereof;  
FIG. 7 is a Top view thereof; and,  
FIG. 8 is a Bottom view thereof.  
The broken lines shown represent portions of a shower head and form no part of the claimed design.

**1 Claim, 8 Drawing Sheets**



(56)

**References Cited**

OTHER PUBLICATIONS

Lavmere 7-Spray 4.2 in. Single Wall Mount Fixed Adjustable Shower Head in Chrome, Mar. 29, 2019, Homedepot, Jun. 10, 2021 <https://www.homedepot.com/p/Glacier-Bay-Lavmere-7-Spray-4-2-in-Single-Wall-Mount-Fixed-Adjustable-Shower-Head-in-Chrome-HD51716-X0001/305351351> (Year: 2019).\*

Homewerks Worldwide 228628 SHWR HP BN5Spr Fix Shower Head, Brushed Nickel, Sep. 12, 2017, Amazon.com, Jun. 10, 2021 <https://www.amazon.com/Homewerks-Worldwide-228628-BN5Spr-Shower/dp/B075KMSQWC> (Year: 2017).\*

\* cited by examiner

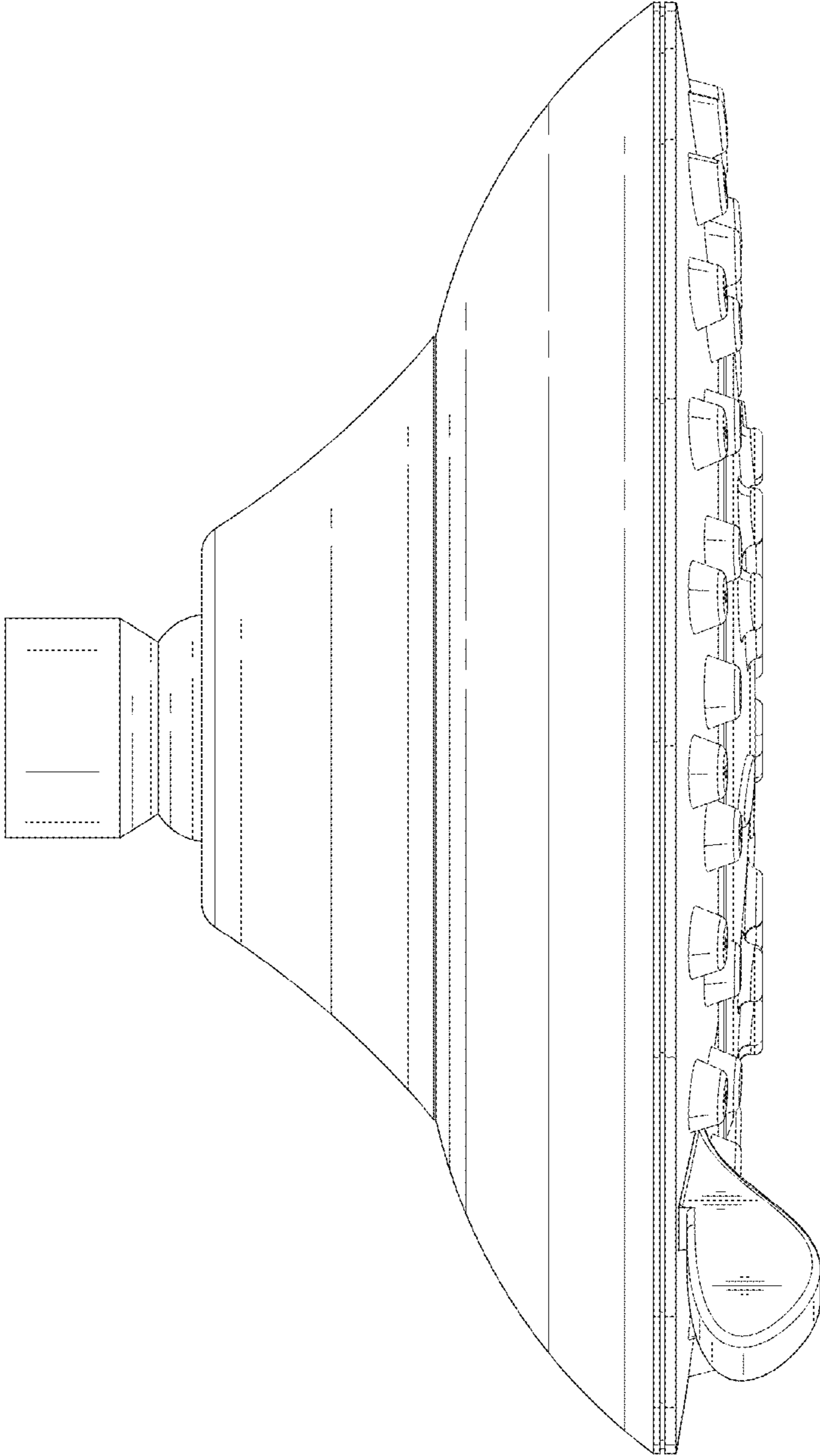


FIG. 1

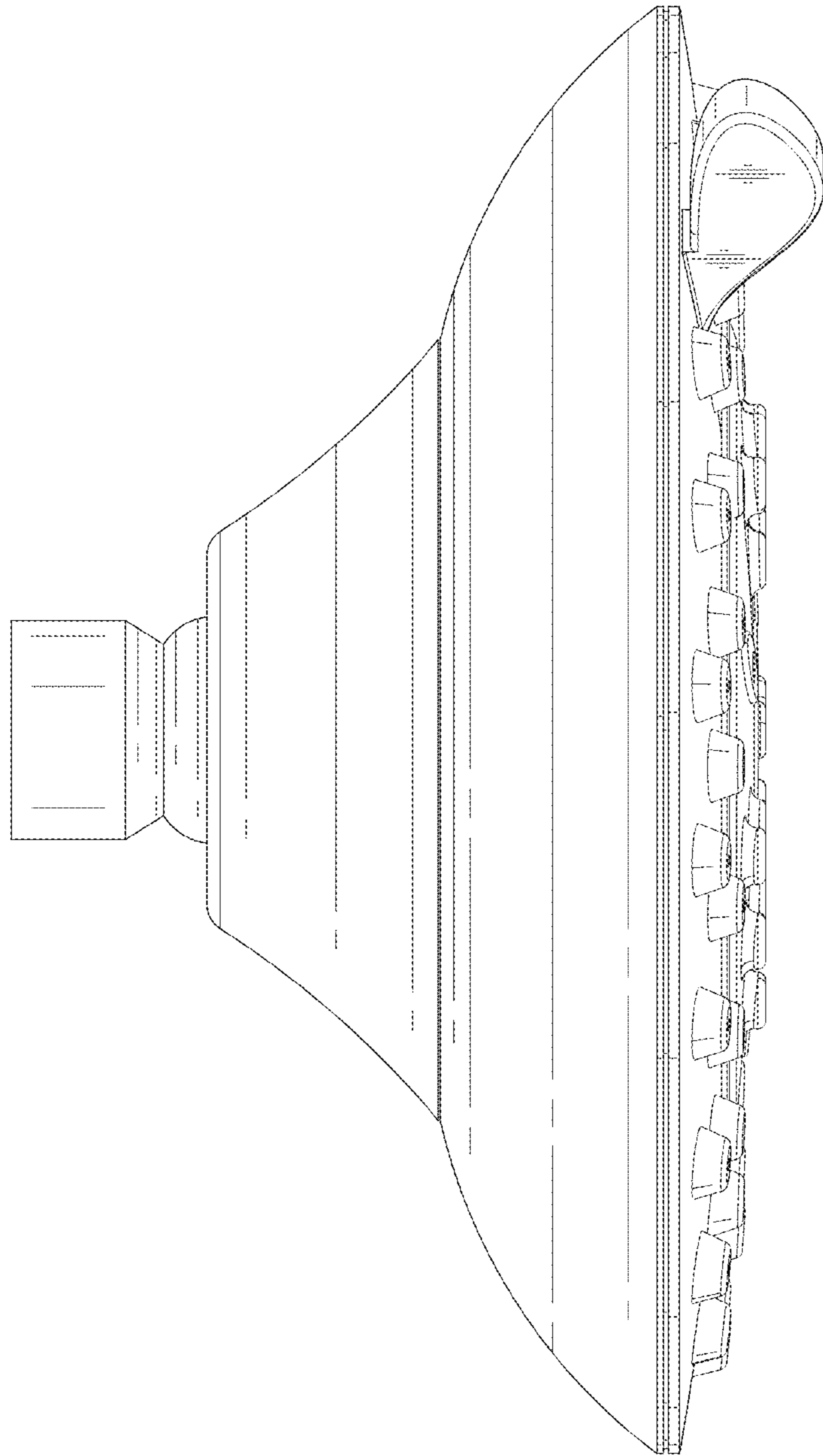


FIG. 2

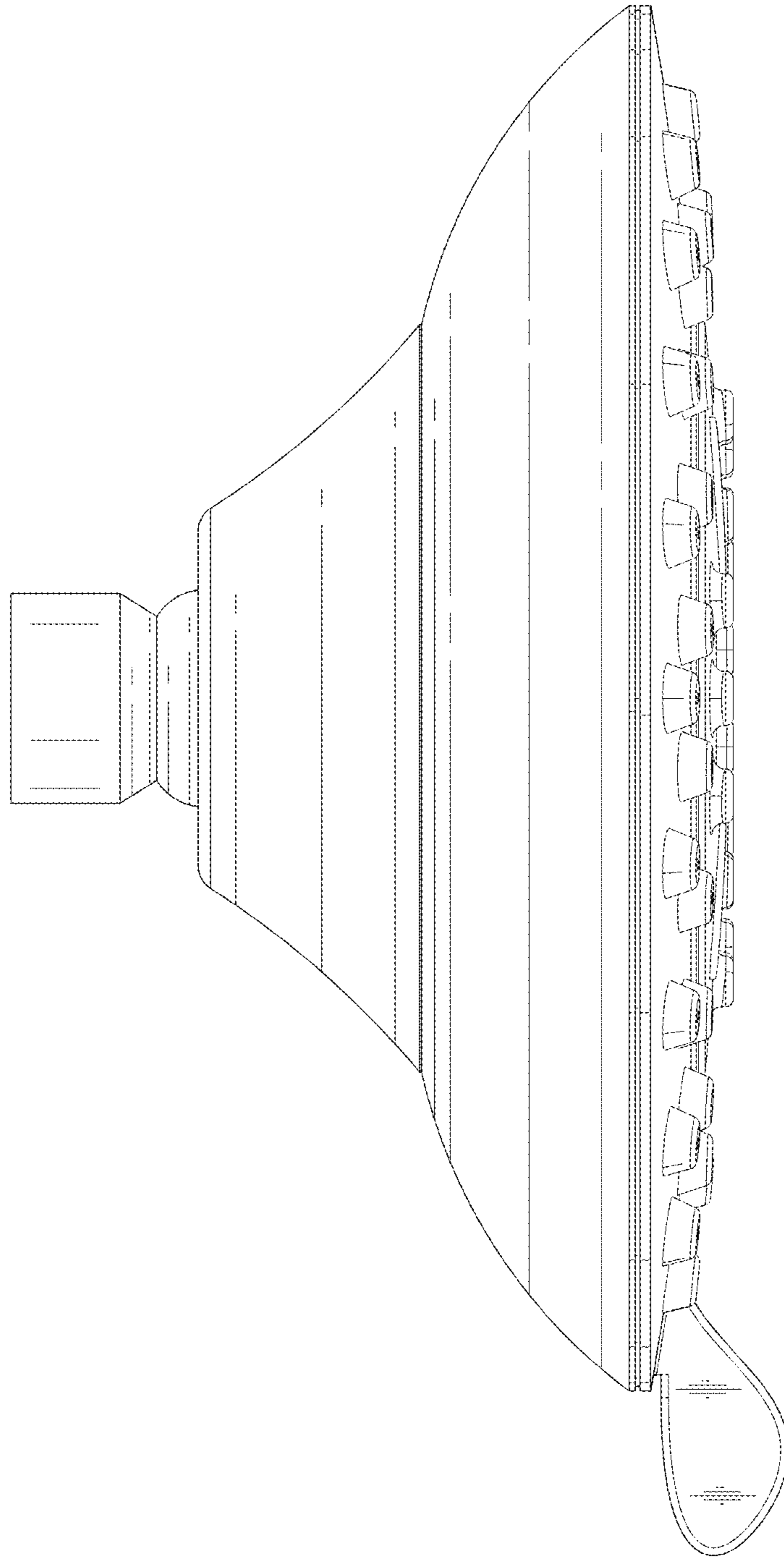


FIG. 3

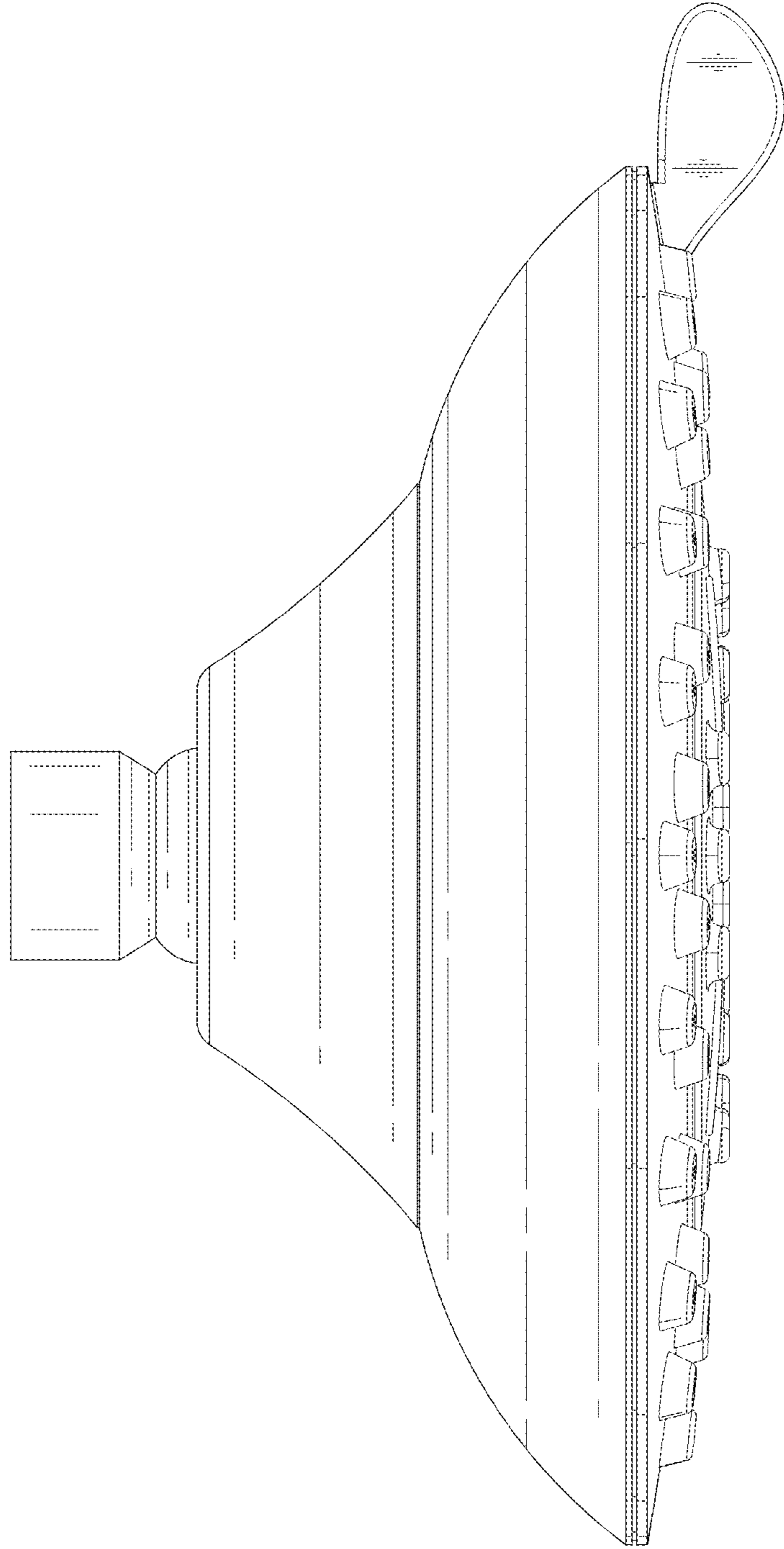


FIG. 4

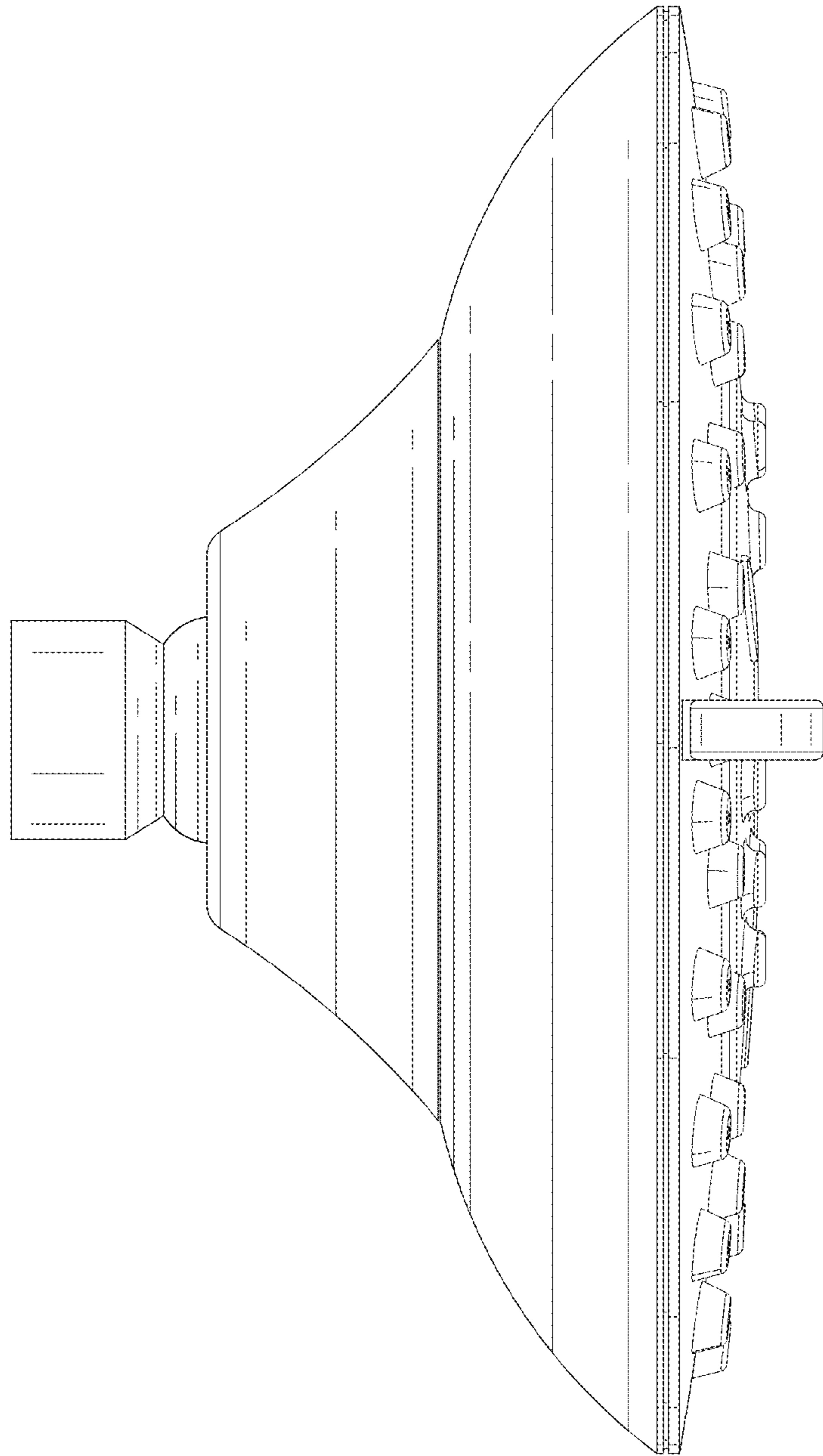


FIG. 5

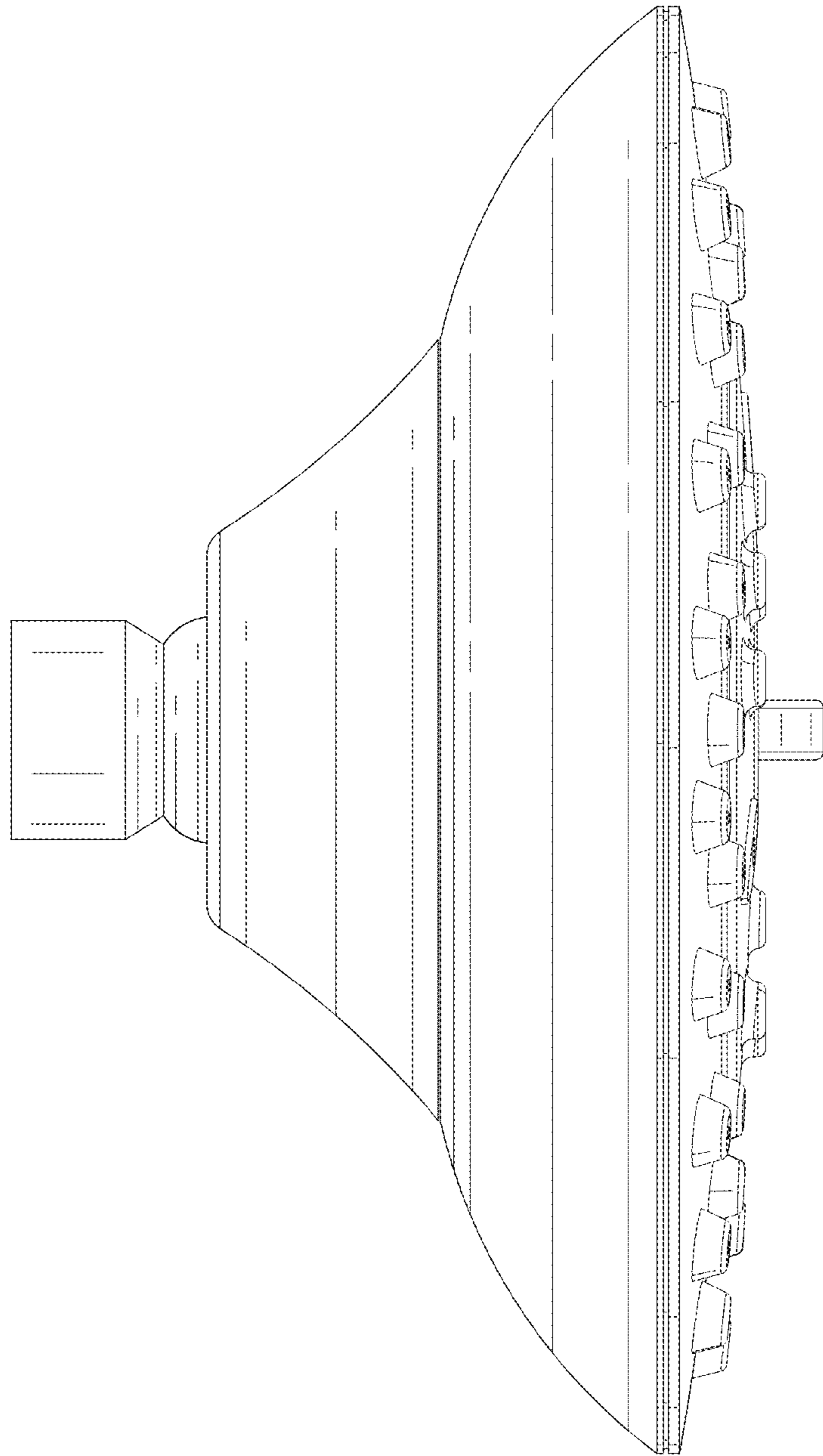


FIG. 6



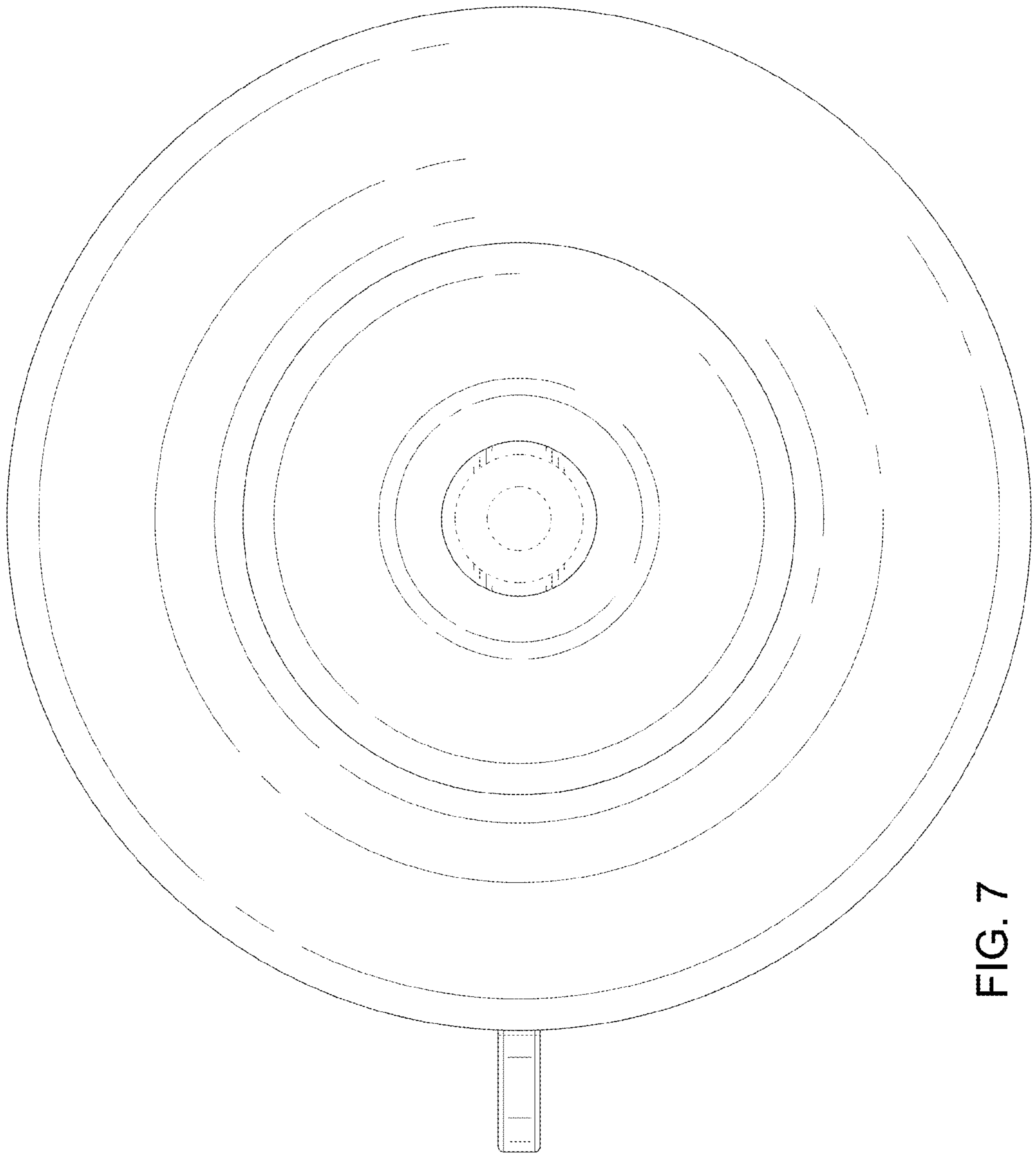


FIG. 7

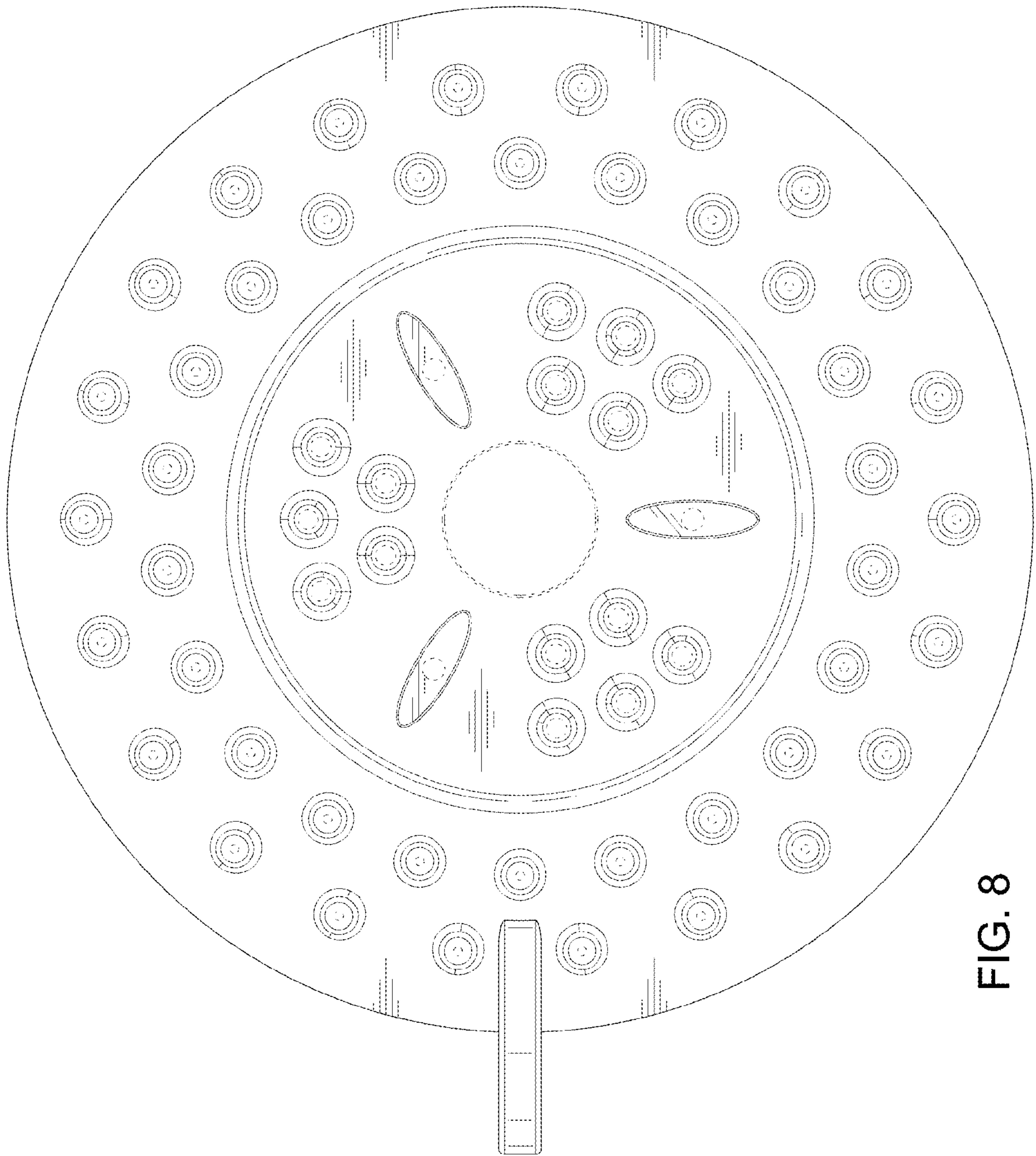


FIG. 8