



US00D927639S

(12) **United States Design Patent**
Zhang

(10) **Patent No.:** **US D927,639 S**

(45) **Date of Patent:** **** Aug. 10, 2021**

(54) **SHOWER HEAD**

(71) Applicant: **Xinrui Zhang**, Kaiping (CN)

(72) Inventor: **Xinrui Zhang**, Kaiping (CN)

(**) Term: **15 Years**

(21) Appl. No.: **29/720,166**

(22) Filed: **Jan. 10, 2020**

(51) **LOC (13) Cl.** **23-01**

(52) **U.S. Cl.**
USPC **D23/213**

(58) **Field of Classification Search**

USPC D23/213, 214, 215, 223, 224, 226, 229

CPC A61H 9/0021; A61H 33/00; B05B 1/00;

B05B 1/14; B05B 1/185; B05B 1/08;

B05B 1/02; B05B 1/26; B05B 12/002;

B05B 1/18; B05B 9/01

See application file for complete search history.

(56) **References Cited**

U.S. PATENT DOCUMENTS

D432,211	S	*	10/2000	Chan	D23/229
D557,764	S	*	12/2007	Schönherr	D23/213
D604,802	S	*	11/2009	Schönherr	D23/213
D634,401	S	*	3/2011	Flowers	D23/213
D637,266	S	*	5/2011	Flowers	D23/213
D652,106	S	*	1/2012	Yoo	D23/213
D724,180	S	*	3/2015	Lin	D23/213
D791,277	S	*	7/2017	Eads	D23/213
D901,630	S	*	11/2020	Wu	D23/213
D907,743	S	*	1/2021	Wu	D23/213
D908,836	S	*	1/2021	Wu	D23/213
11,000,860	B2	*	5/2021	Wu	E03C 1/055
2021/0086205	A1	*	3/2021	Downey	A47K 3/28
2021/0129161	A1	*	5/2021	Xu	B05B 1/18

OTHER PUBLICATIONS

American Standard 1660.625.295 Traditional 5-Function Showerhead, Dec. 30, 2010, Amazon.com, Jun. 3, 2021 https://www.amazon.com/dp/B004GGU5H2/ref=sbl_dpx_B00FVBWHFO_0 (Year: 2010).*
Key West Multifunction Shower Head, Dec. 2020, signaturehardware.com, Jun. 9, 2021, URL: <https://www.signaturehardware.com/key-west-multifunction-shower-head.html> (Year: 2020).*

Shower Head High Pressure Shower, Dec. 4, 2019, Amazon.com Jun. 9, 2021, URL: <https://www.amazon.com/Shower-Head-Fixed-Pressure-heads/dp/B0829KSNYC> (Year: 2019).*

Hotel Spa—Shower Head High Pressure with High Flow Showerhead Jul. 30, 2015, amazon.com, Jun. 9, 2021 https://www.amazon.com/dp/B00JWR2OQK/ref=sbl_dpx_B08H7Y75SX_0 (Year: 2015).*

(Continued)

Primary Examiner — Jack Reickel

Assistant Examiner — Keith J Wilson

(74) *Attorney, Agent, or Firm* — Rumit Ranjit Kanakia

(57) **CLAIM**

I claim the ornamental design for a shower head, as shown and described.

DESCRIPTION

FIG. 1 is a Perspective view of a shower head showing my new design;

FIG. 2 is other Perspective view thereof;

FIG. 3 is a Front view thereof;

FIG. 4 is a Back view thereof;

FIG. 5 is a Left-side view thereof;

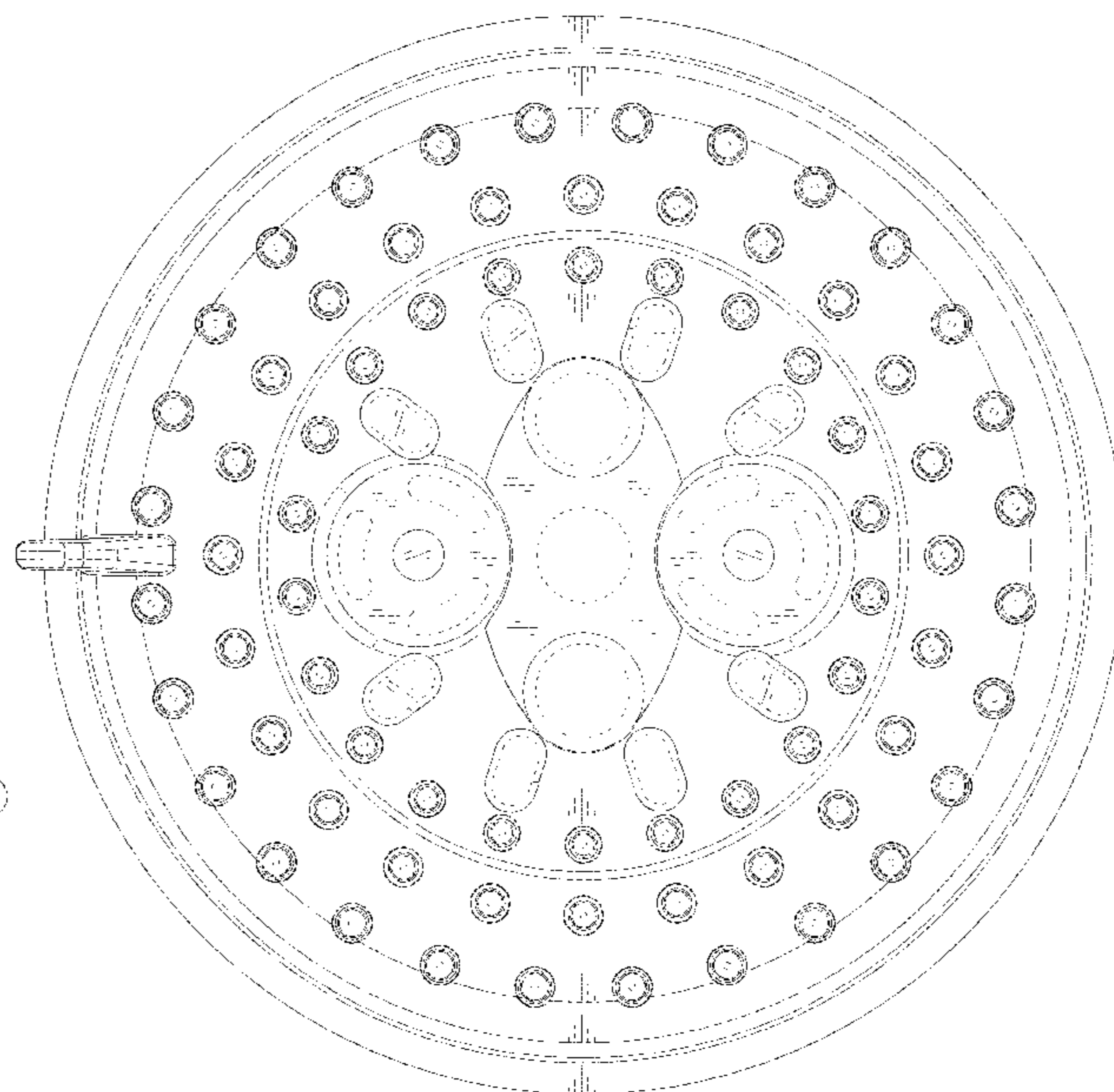
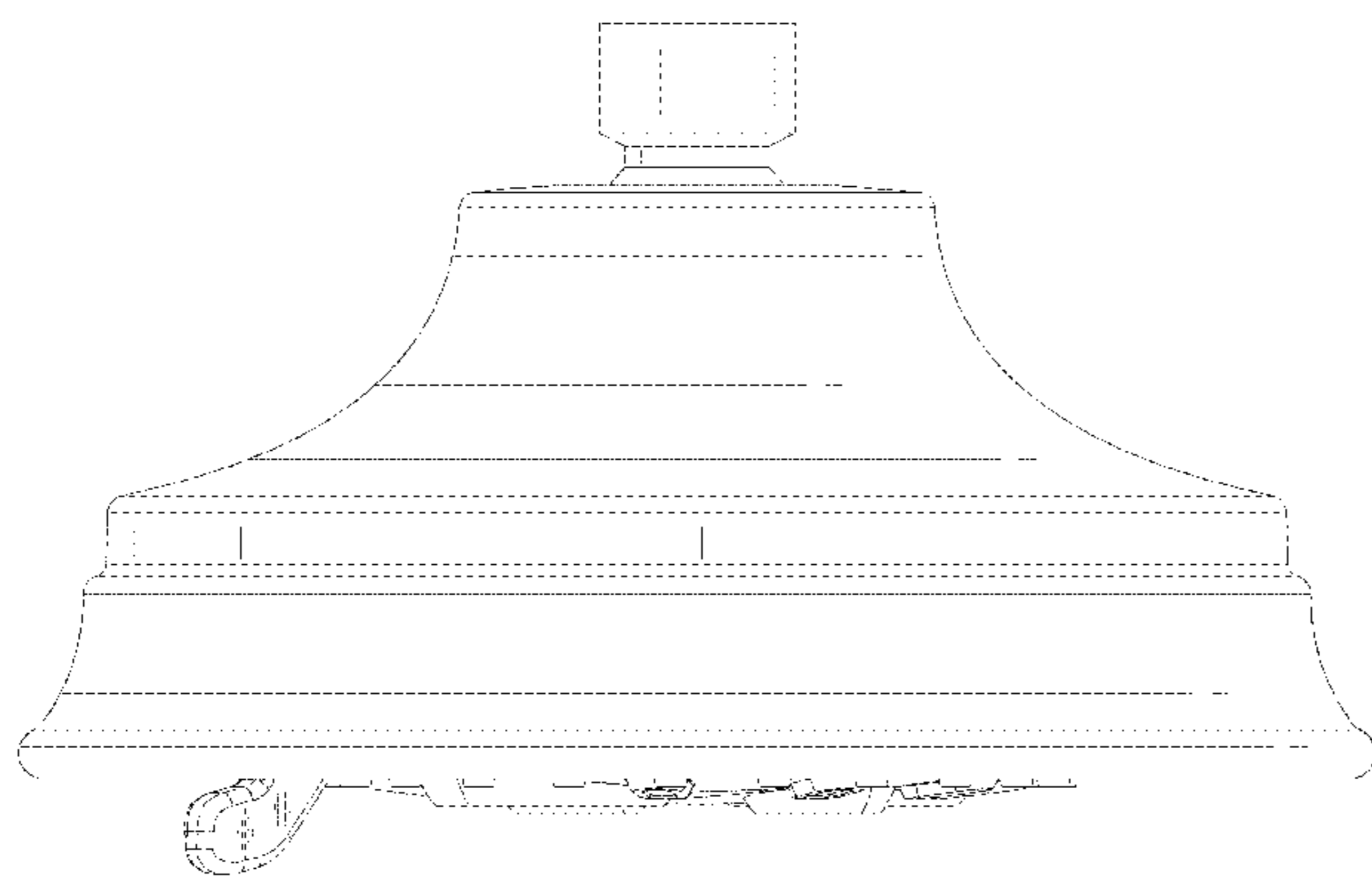
FIG. 6 is a Right-side view thereof;

FIG. 7 is a Top view thereof; and,

FIG. 8 is a Bottom view thereof.

The broken lines shown represent portions of a shower head and form no part of the claimed design.

1 Claim, 8 Drawing Sheets



(56)

References Cited

OTHER PUBLICATIONS

Oxygenics 88546 PowerMassage Brushed Nickel Fixed Shower Head, Mar. 1, 2013, Amazon.com, Jun. 9, 2021 <https://www.amazon.com/Oxygenics-Standard-88546-PowerMassage-Brushed/dp/B00BC3PAJU/> (Year: 2013).*

Wall Mounted Showerheads Abs Chrome Finish 4 Inch High Pressure Shower Head, May 22, 2020, Amazon.com, Jun. 9, 2021 https://www.amazon.com/dp/B0892JHXJL/ref=sbl_dpx_B00BC3PAJU_0 (Year: 2020).*

* cited by examiner

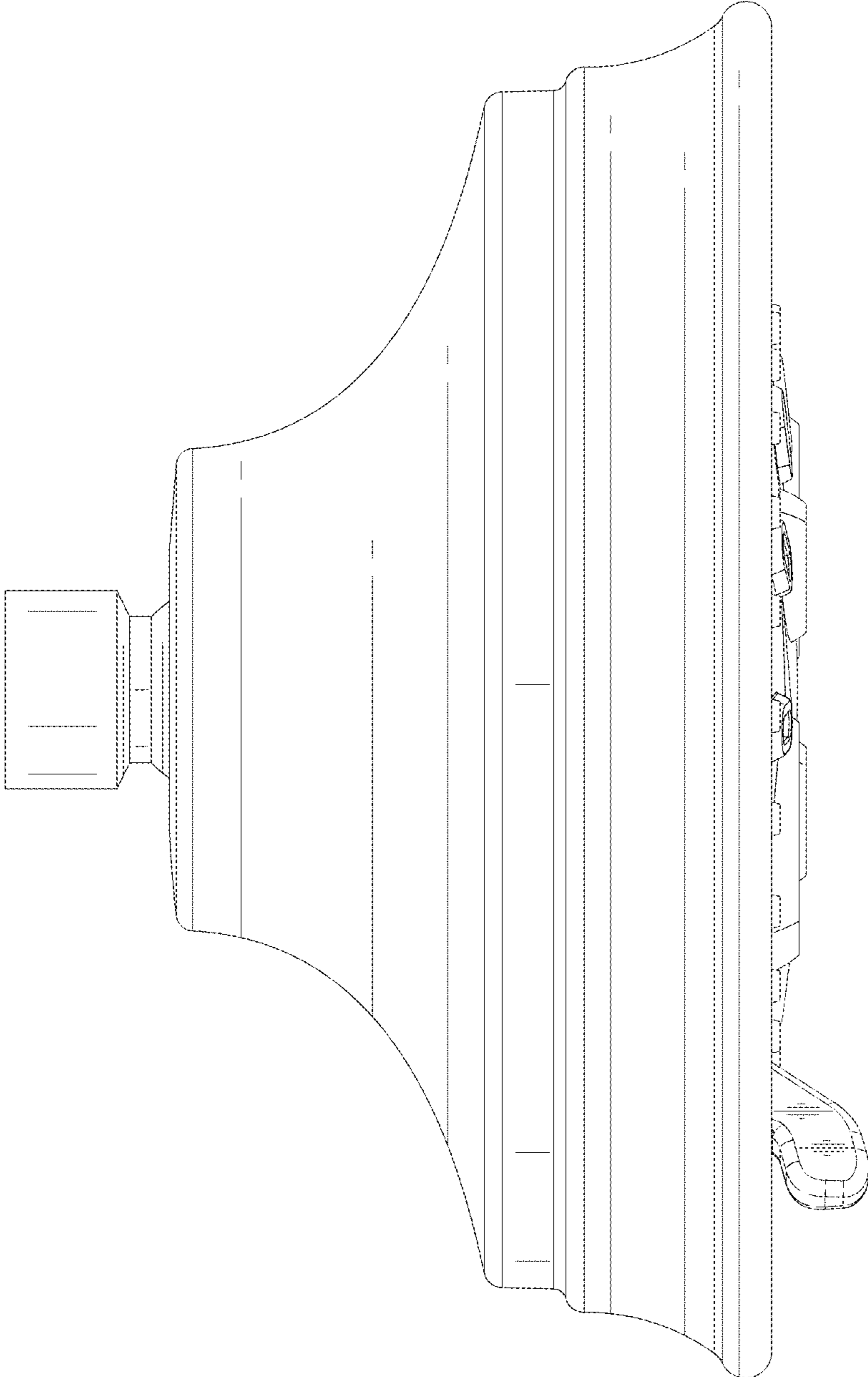


FIG. 1

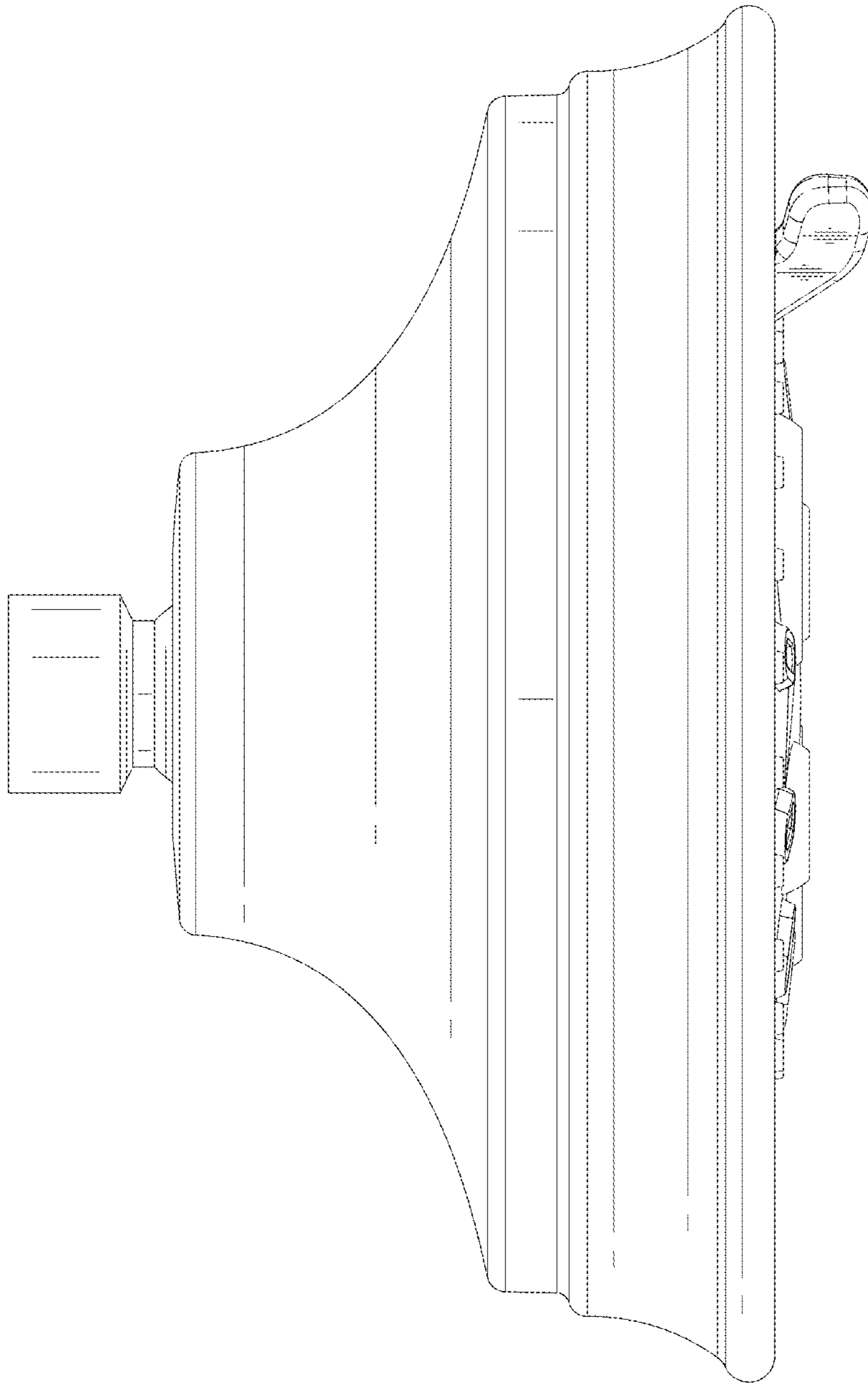


FIG. 2

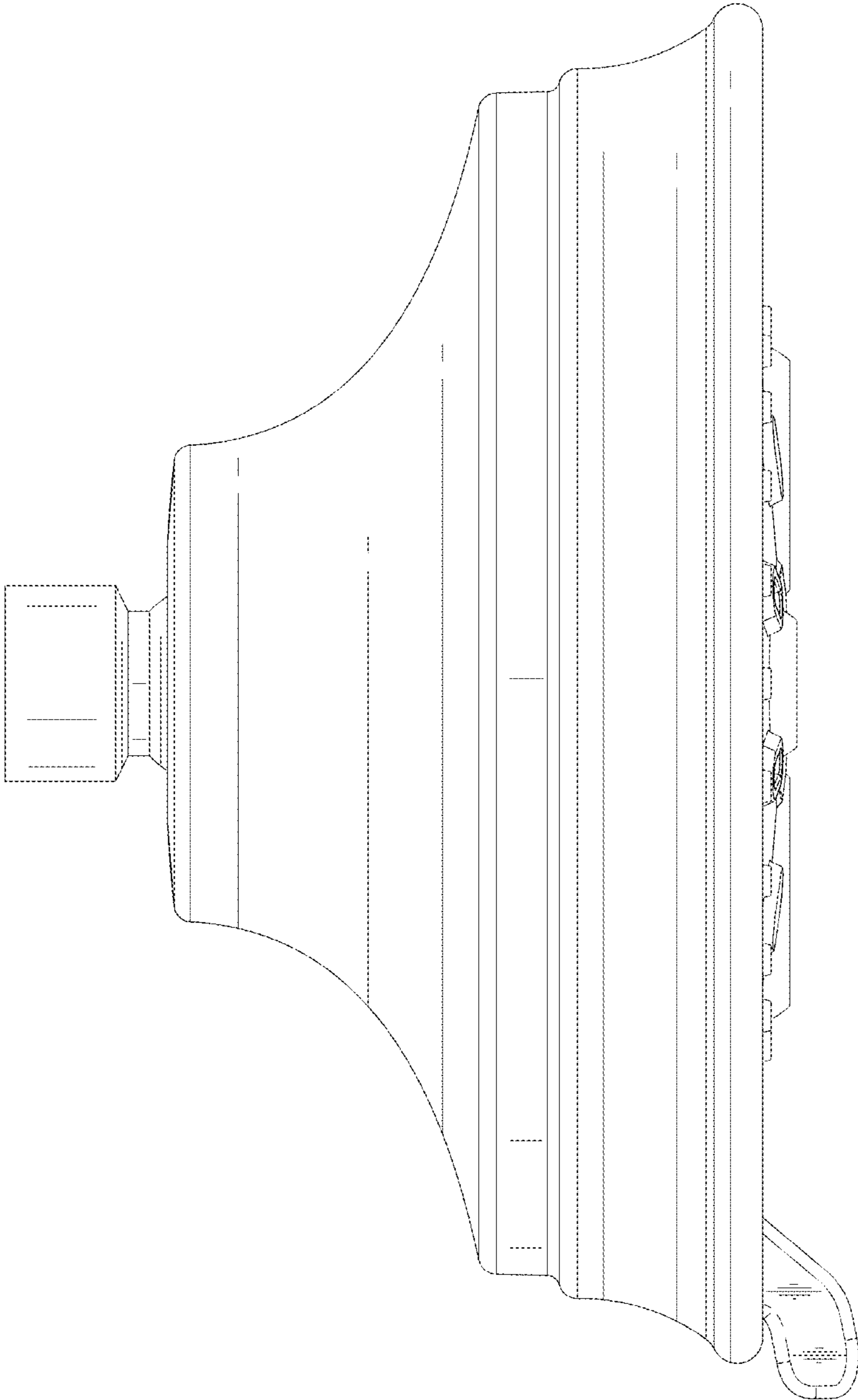


FIG. 3

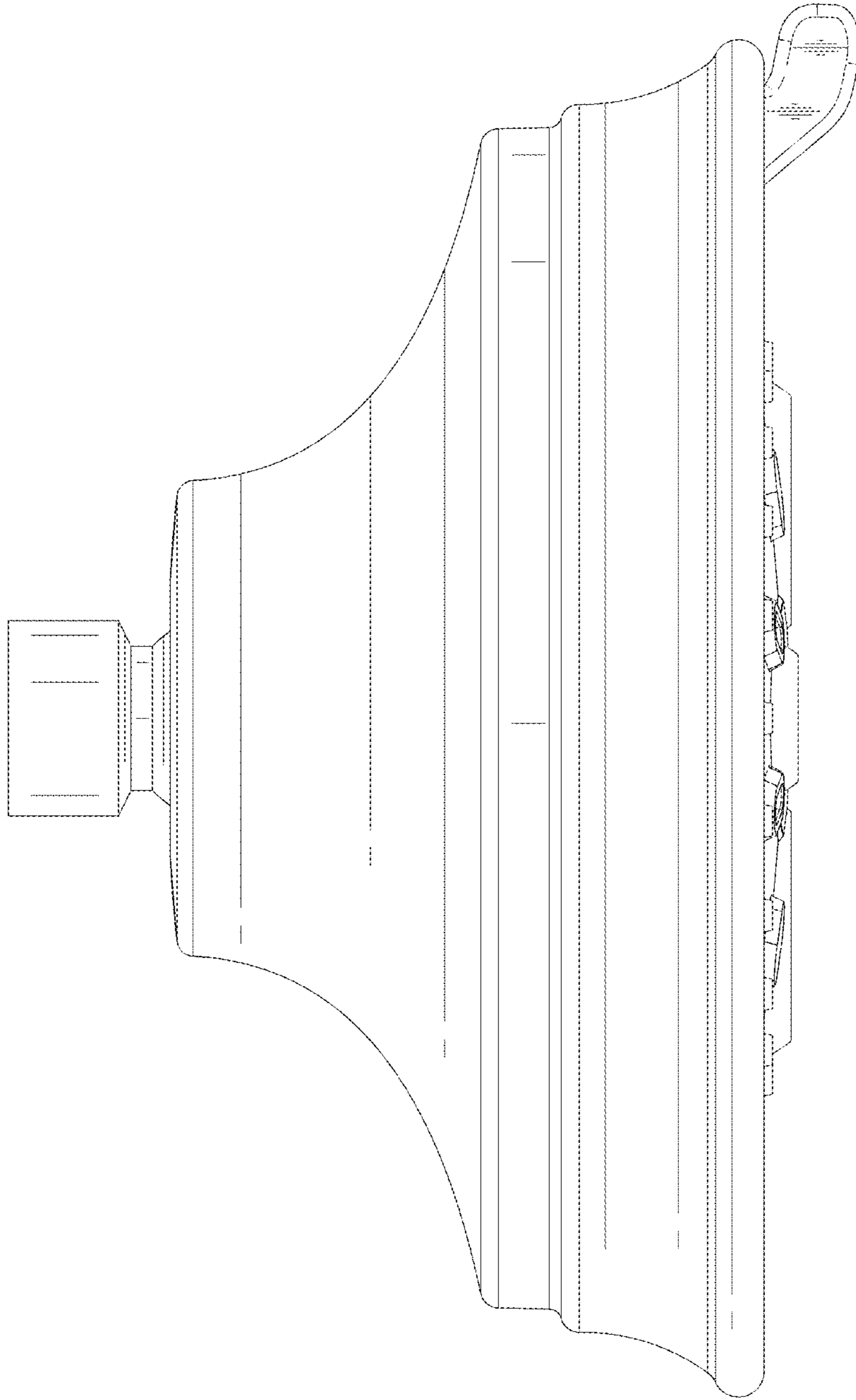


FIG. 4

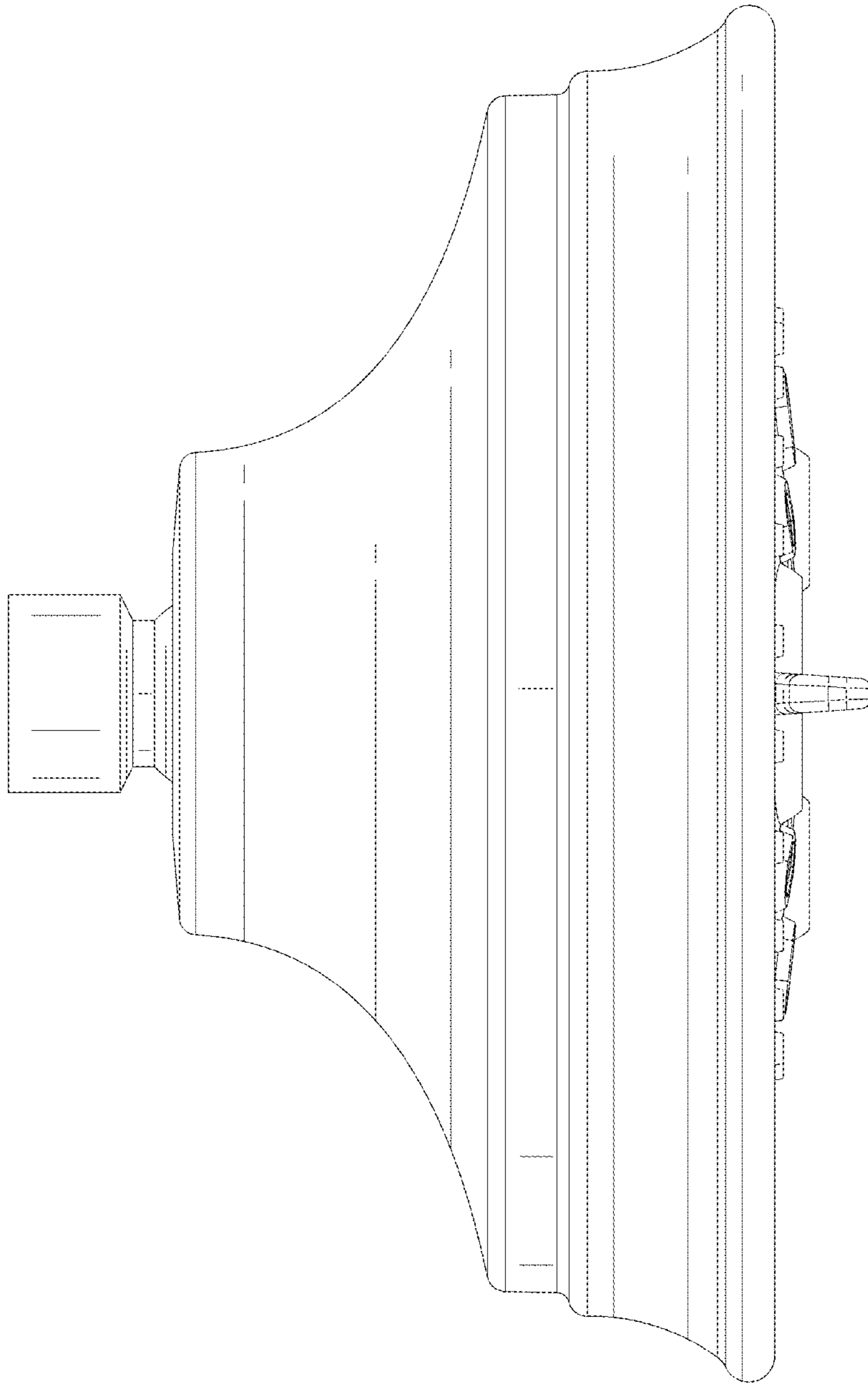


FIG. 5

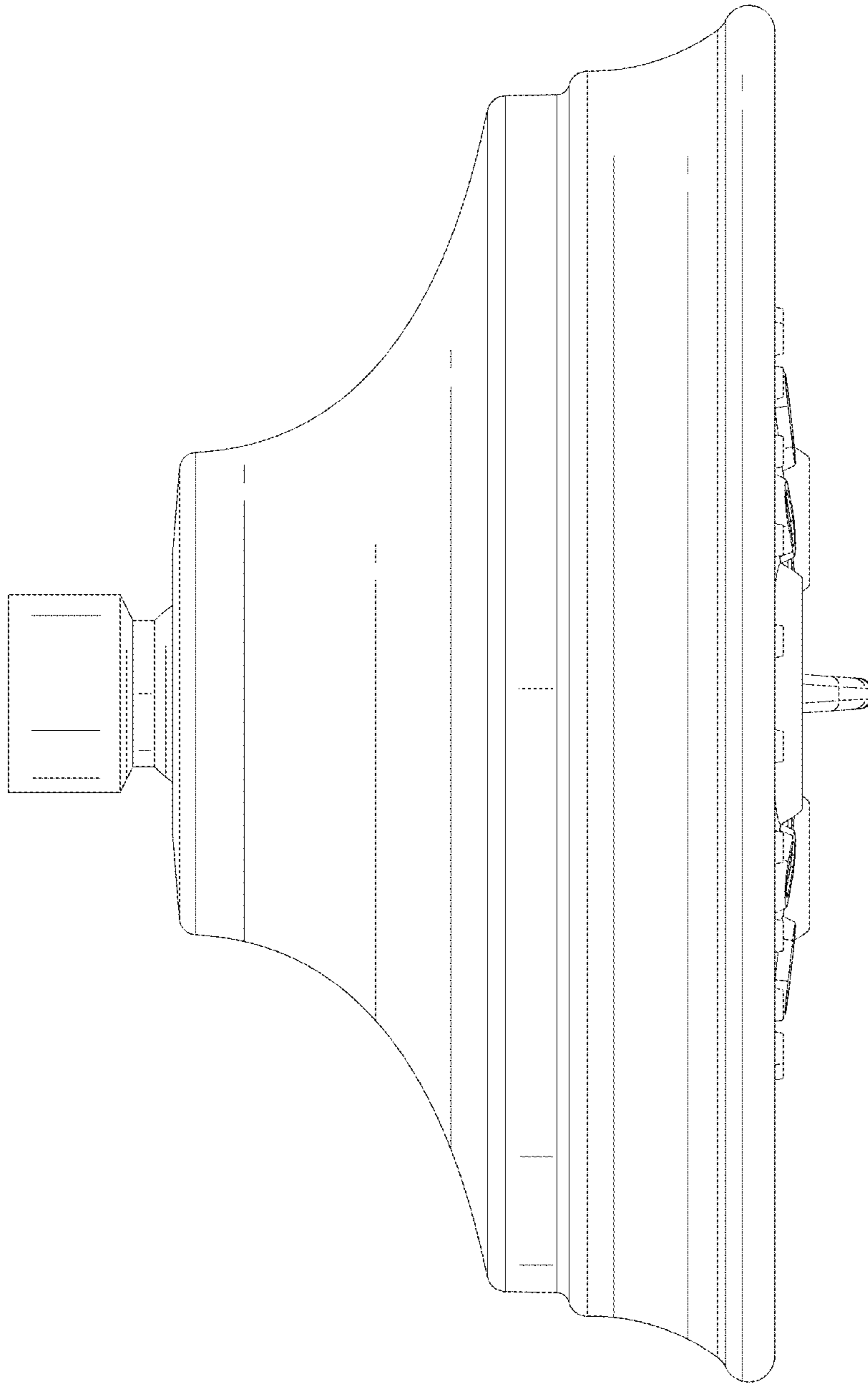


FIG. 6

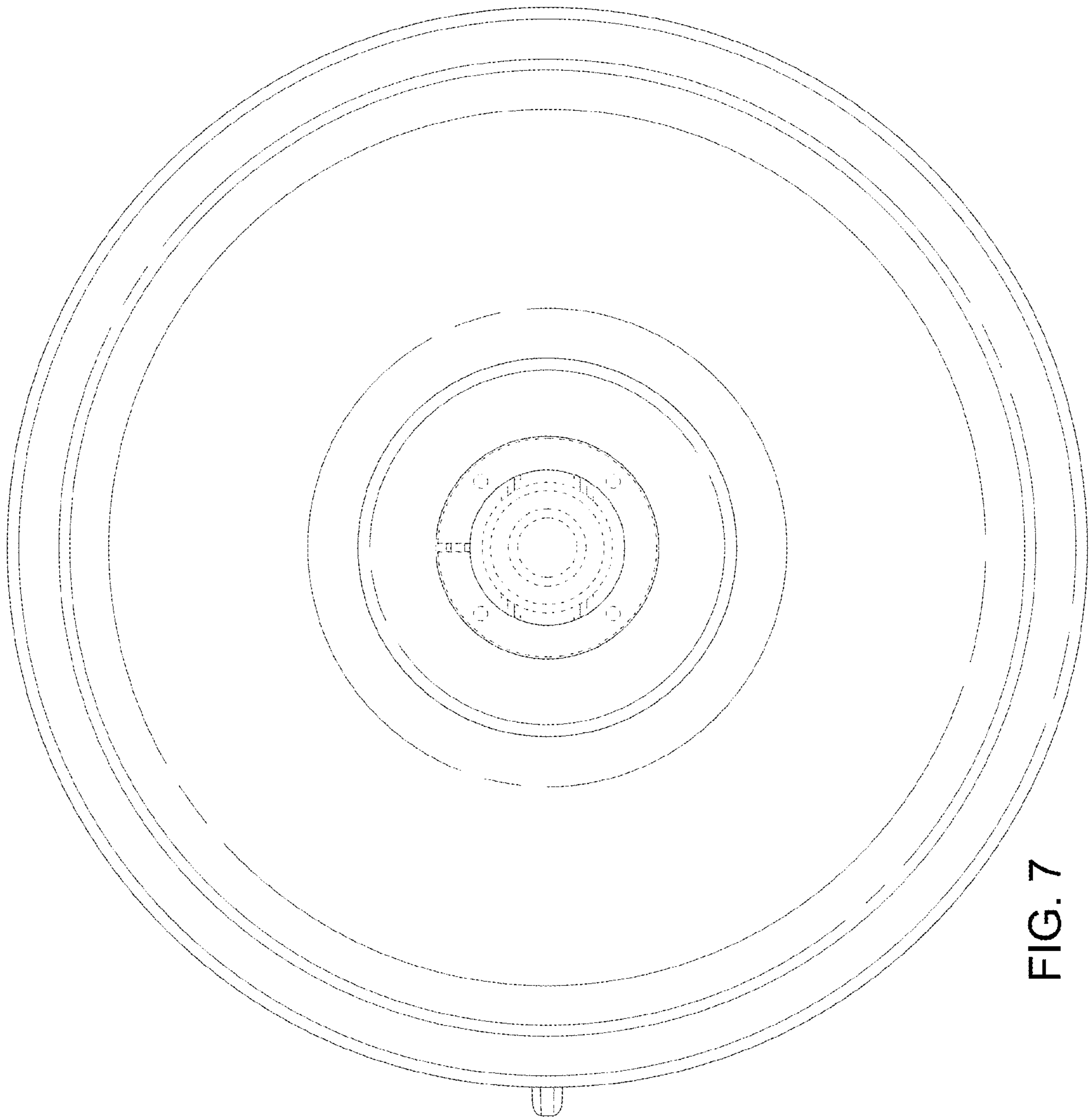


FIG. 7

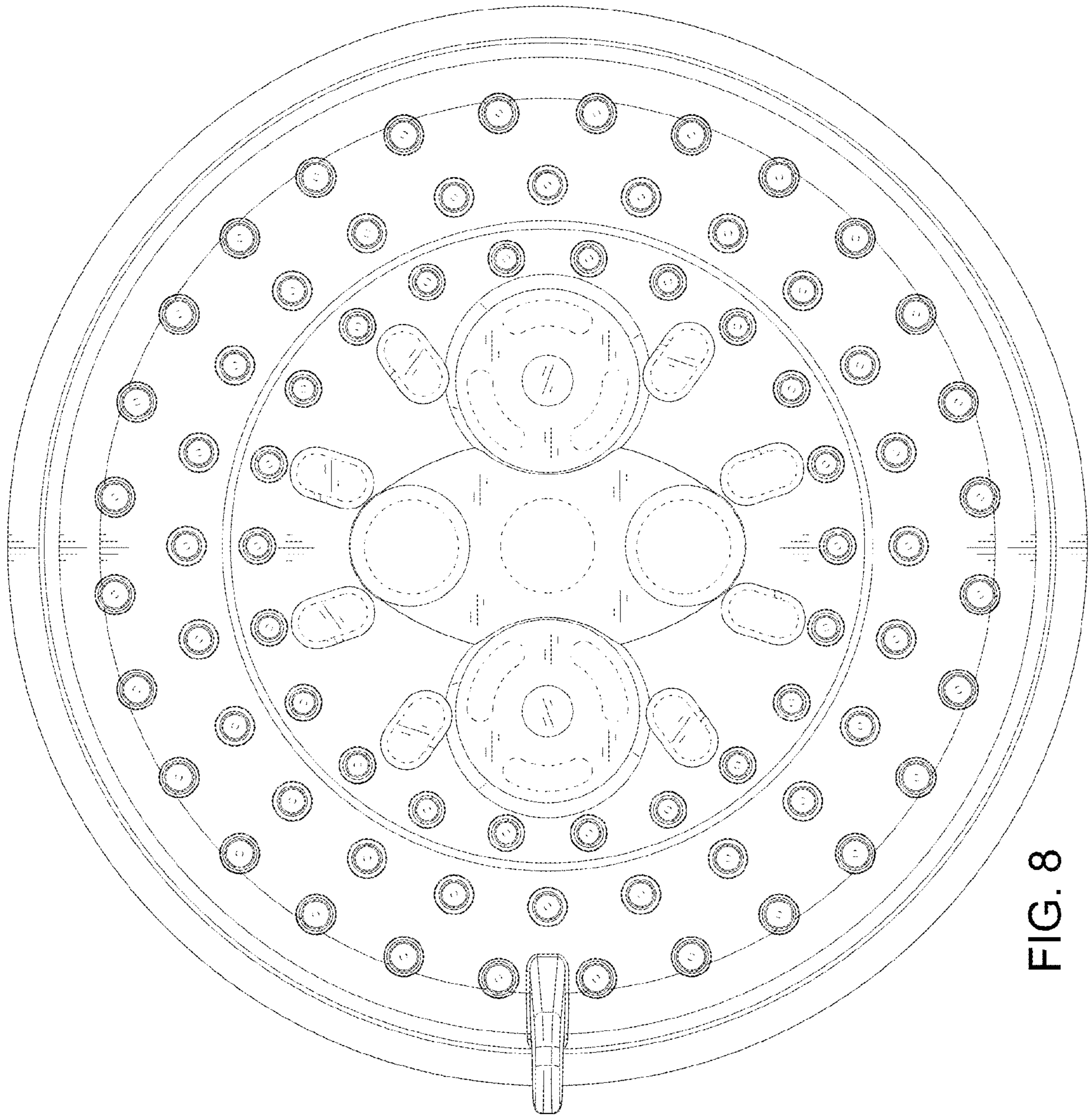


FIG. 8