



US00D927638S

(12) **United States Design Patent**
Cocks et al.

(10) **Patent No.:** **US D927,638 S**

(45) **Date of Patent:** **** Aug. 10, 2021**

(54) **SHOWER ROSE**

(71) Applicant: **Phoenix Industries Pty Ltd**, Bayswater (AU)

(72) Inventors: **Andrew John Cocks**, Bayswater (AU);
Ban Hsi Liu, Bayswater (AU)

(73) Assignee: **Phoenix Industries Pty Ltd**, Bayswater (AU)

(**) Term: **15 Years**

(21) Appl. No.: **29/702,800**

(22) Filed: **Aug. 22, 2019**

(30) **Foreign Application Priority Data**

Feb. 22, 2019 (AU) 201910942

(51) **LOC (13) Cl.** **23-01**

(52) **U.S. Cl.**
USPC **D23/213**

(58) **Field of Classification Search**
USPC D23/207, 213, 214, 215, 223, 224, 226,
D23/229, 230

CPC A61H 9/0021; A61H 33/00; B05B 1/00;
B05B 1/14; B05B 1/185; B05B 1/08;
B05B 1/02; B05B 1/26; B05B 12/002;
B05B 1/18; B05B 9/01

See application file for complete search history.

(56) **References Cited**

U.S. PATENT DOCUMENTS

D487,498 S	3/2004	Blomstrom	
D496,987 S	10/2004	Glunk	
D498,514 S	11/2004	Haug	
D508,730 S	8/2005	Blomstrom	
D512,120 S	11/2005	Haug	
D513,525 S	1/2006	Hang	
D519,187 S *	4/2006	Tse D23/213
D524,406 S	7/2006	Hoernig	

(Continued)

FOREIGN PATENT DOCUMENTS

AU	308198	7/2006
AU	308199	7/2006

(Continued)

OTHER PUBLICATIONS

Kohler shower head rite temp, Amazon, retrieved on [Aug. 28, 2019] <https://www.amazon.com/Kohler-TS99764-4-CP-Rite-Temp-showerhead-Polished/dp/> (Year: 2017).*

(Continued)

Primary Examiner — Jack Reickel

Assistant Examiner — Keith J Wilson

(74) *Attorney, Agent, or Firm* — Womble Bond Dickinson (US) LLP

(57) **CLAIM**

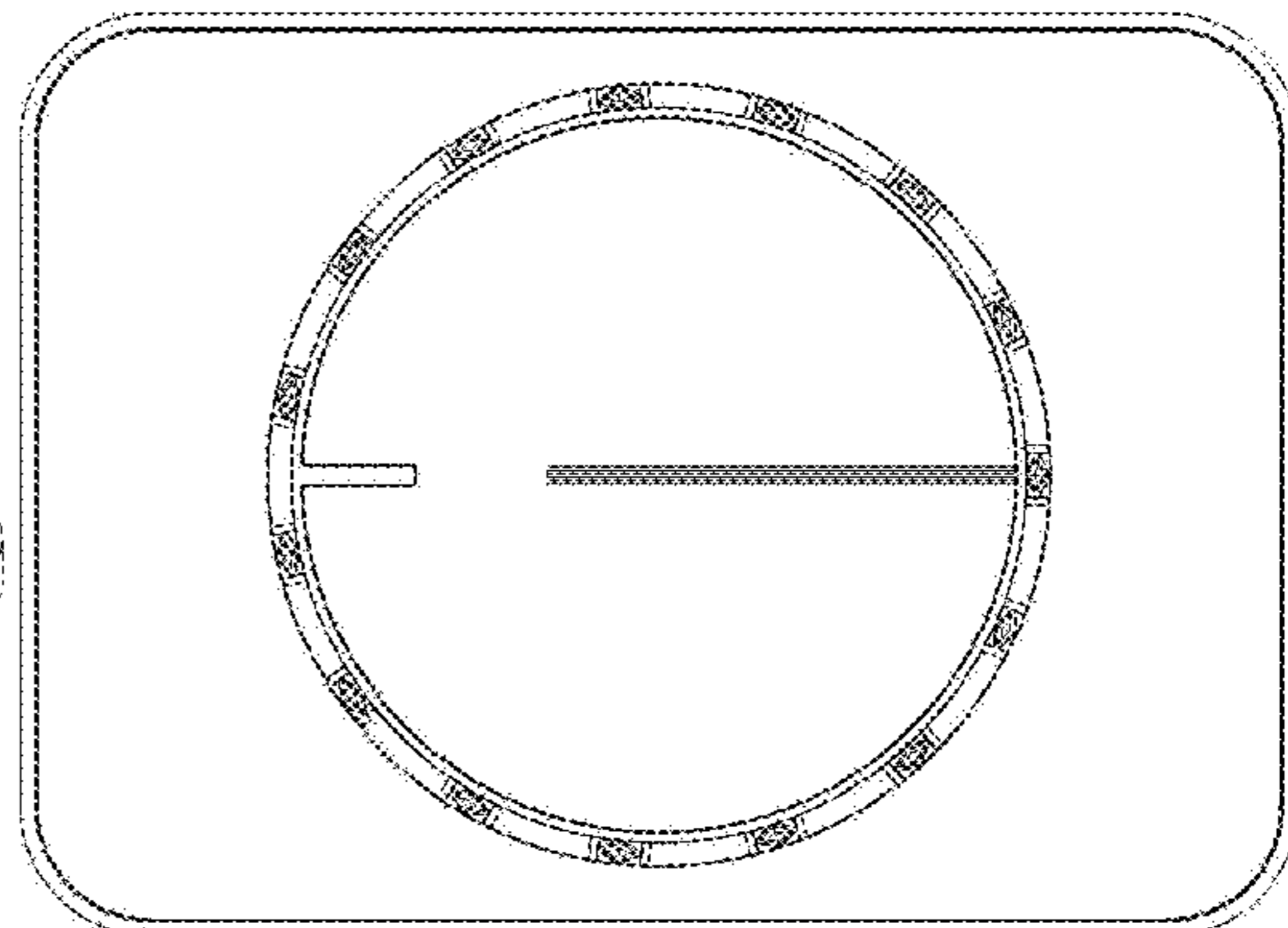
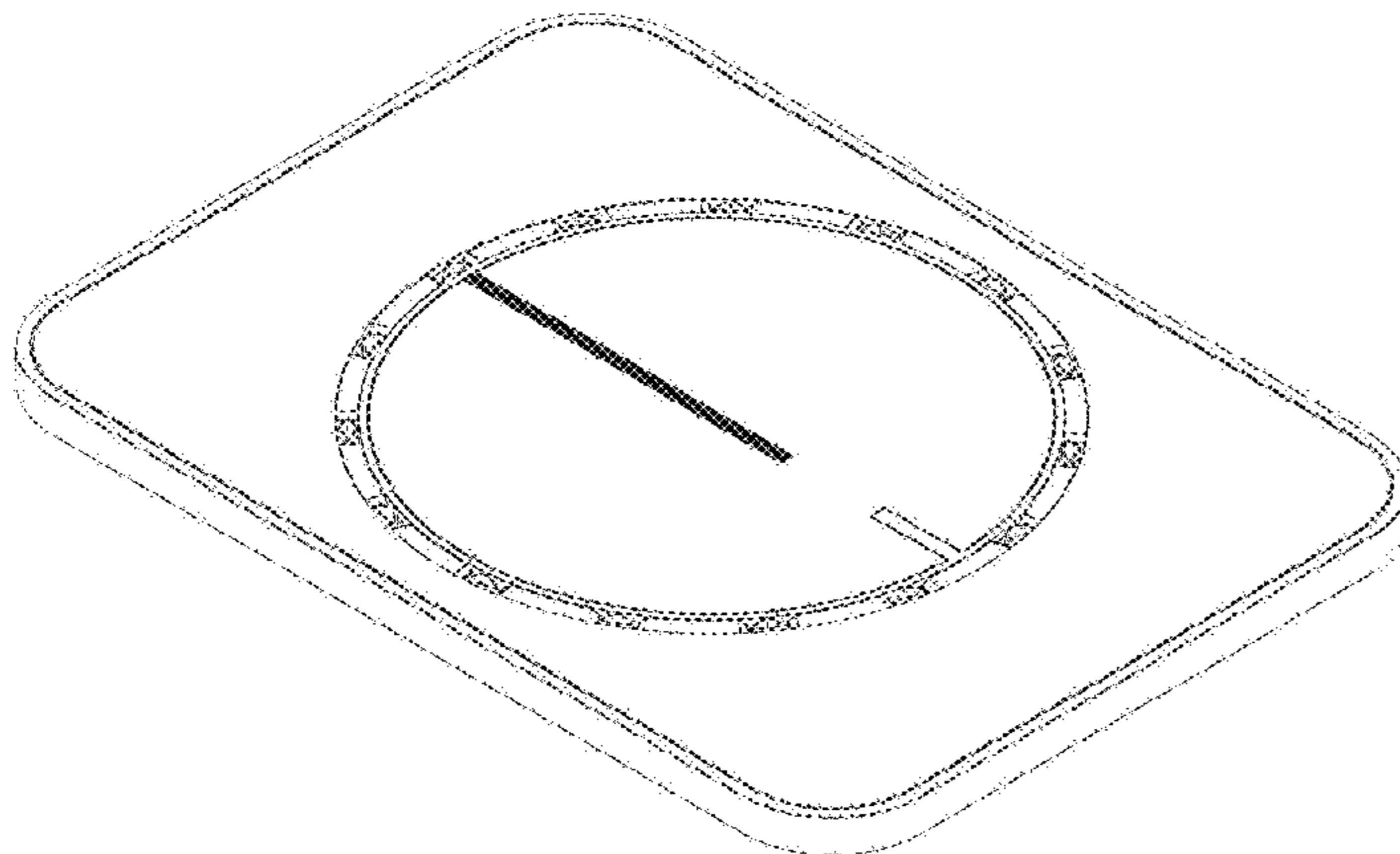
The ornamental design for a shower rose, as shown and described.

DESCRIPTION

FIG. 1 is an isometric bottom view of a shower rose according to our new design;
FIG. 2 is an isometric top view thereof;
FIG. 3 is a top view thereof;
FIG. 4 is a front view thereof;
FIG. 5 is a side view thereof, the opposite side view being identical;
FIG. 6 is a bottom view thereof;
FIG. 7 is an isometric side view thereof;
FIG. 8 is an enlarged view of a portion of the shower rose indicated in FIG. 7; and,
FIG. 9 is an enlarged view of a portion of the shower rose indicated in FIG. 2.

The views not shown form no part of the claimed design.

1 Claim, 5 Drawing Sheets



(56)

References Cited

U.S. PATENT DOCUMENTS

D524,412 S 7/2006 Blomstrom
 D540,427 S 4/2007 Bouroullec
 D556,855 S 12/2007 Mullenmeister
 D562,937 S 2/2008 Schoenherr
 D564,066 S 3/2008 Lammel
 D565,703 S 4/2008 Lammel
 D566,228 S 4/2008 Neagoe
 D566,231 S 4/2008 Lammel
 D590,917 S 4/2009 Schoenherr
 D593,640 S 6/2009 Schoenherr
 D604,802 S * 11/2009 Schoenherr D23/213
 D613,370 S 4/2010 Allard
 D622,809 S * 8/2010 Montgomery D23/213
 D624,155 S * 9/2010 Yokoyama D23/213
 D634,401 S * 3/2011 Flowers D23/213
 D637,266 S * 5/2011 Flowers D23/213
 D639,382 S * 6/2011 Flowers D23/213
 D649,623 S * 11/2011 Flowers D23/213
 D654,983 S 2/2012 Schoenherr
 D655,386 S 3/2012 Schoenherr
 D655,783 S 3/2012 Schoenherr
 D656,582 S * 3/2012 Flowers D23/213
 D659,167 S 5/2012 Cocks
 D659,794 S 5/2012 Flowers
 D665,479 S 8/2012 Cocks
 D669,156 S 10/2012 Schoenherr
 D669,962 S * 10/2012 Schoenherr D23/213
 D672,010 S 12/2012 Verdeflor
 D680,619 S 4/2013 Zhadanov
 D681,776 S 5/2013 Cutler
 D681,781 S 5/2013 Cutler
 D687,924 S 8/2013 Newson
 D694,357 S 11/2013 Brodey
 D694,358 S * 11/2013 Schoenherr D23/213
 D694,359 S 11/2013 Schoenherr
 D694,361 S 11/2013 Schoenherr
 D694,856 S 12/2013 Madsen
 D697,177 S 1/2014 Schoenherr
 D707,328 S 6/2014 Schoenherr
 D707,330 S 6/2014 Schoenherr
 D710,973 S 8/2014 Madsen
 D713,004 S 9/2014 Schoenherr
 D713,496 S 9/2014 Schoenherr
 D713,498 S 9/2014 Schoenherr
 D714,421 S 9/2014 Flowers
 8,851,398 B2 10/2014 Li
 D718,418 S 11/2014 Georgeson
 8,991,432 B2 3/2015 Zhou
 D730,493 S 5/2015 Sehl
 9,027,857 B2 5/2015 Kull
 D733,258 S 6/2015 Sandee
 9,046,261 B2 6/2015 Zhang
 D736,347 S 8/2015 Tan
 D736,348 S 8/2015 Tan
 D737,931 S 9/2015 Schoenherr
 D737,932 S 9/2015 Nikles
 D738,991 S 9/2015 Brodey
 D743,507 S 11/2015 Georgeson
 D746,955 S 1/2016 Corder
 D749,694 S 2/2016 Madsen
 D751,174 S 3/2016 Schoenherr
 D751,175 S 3/2016 Schoenherr
 D751,176 S 3/2016 Schoenherr
 D752,711 S 3/2016 Georgeson
 D757,894 S * 5/2016 Schoenherr D23/213
 D757,895 S 5/2016 Schoenherr
 D758,532 S * 6/2016 Schoenherr D23/213
 9,387,495 B2 7/2016 Schumacher
 D778,402 S 2/2017 Schoenherr
 D778,404 S 2/2017 Schoenherr
 D779,038 S 2/2017 Hanna
 D779,039 S 2/2017 Hanna
 D785,131 S * 4/2017 Cimino D23/200
 D787,458 S 5/2017 Kim
 D791,277 S 7/2017 Eads

D793,527 S * 8/2017 Zanger D23/213
 D801,475 S 10/2017 Naslund
 D803,350 S 11/2017 Tian
 D808,499 S 1/2018 Naslund
 D809,094 S 1/2018 Naslund
 D810,233 S 2/2018 Winter
 D810,234 S 2/2018 Winter
 D810,861 S 2/2018 Weaver
 D811,524 S 2/2018 Bossini
 D813,348 S 3/2018 Bossini
 D820,388 S 6/2018 Seum
 D820,949 S 6/2018 Reinecker
 D821,542 S 6/2018 Reinecker
 D822,157 S 7/2018 L'Henaff
 D824,485 S 7/2018 Montoya
 D828,491 S 9/2018 Schoenherr
 D828,511 S 9/2018 Liu et al.
 D828,512 S 9/2018 Liu et al.
 D828,516 S 9/2018 Liu et al.
 D828,909 S 9/2018 Liu et al.
 D832,398 S 10/2018 Lin
 D833,575 S 11/2018 Soulier
 D839,384 S 1/2019 Svendsen
 D840,503 S 2/2019 Stein
 D841,121 S 2/2019 Kiefer
 D841,125 S 2/2019 Lai
 D841,126 S 2/2019 Lai
 D842,429 S 3/2019 Huang
 D842,430 S 3/2019 Huang
 D842,431 S 3/2019 Cacka
 D842,967 S 3/2019 Farley
 D844,749 S 4/2019 Cocks et al.
 D846,077 S 4/2019 Liu
 D846,701 S 4/2019 Liu
 D846,702 S 4/2019 Liu
 D847,302 S 4/2019 Cocks et al.
 D849,191 S * 5/2019 Cocks D23/213
 D849,696 S 5/2019 Adenau
 D851,207 S 6/2019 Cocks et al.
 D855,759 S 8/2019 Winter
 D855,760 S 8/2019 Lee
 D856,475 S 8/2019 Gessi
 D861,830 S 10/2019 Quinn
 D865,132 S 10/2019 Hoogendoorn et al.
 D865,133 S 10/2019 Hoogendoorn et al.
 D866,715 S 11/2019 Liu et al.
 D868,213 S 11/2019 Hoogendoorn et al.
 D888,195 S 6/2020 Cocks et al.
 D902,346 S * 11/2020 Cocks D23/213
 D903,050 S * 11/2020 Ando D23/213
 D908,188 S * 1/2021 Seum D23/213
 2016/0265201 A1 9/2016 Hoogendoorn et al.
 2021/0048160 A1 * 2/2021 Wang F21V 33/004

FOREIGN PATENT DOCUMENTS

AU 308201 7/2006
 AU 308202 7/2006
 AU 314560 6/2007
 AU 314563 6/2007
 AU 321286 10/2008
 AU 328364 11/2009
 AU 328365 11/2009
 AU 334096 12/2010
 AU 336356 5/2011
 AU 336357 5/2011
 AU 337781 7/2011
 AU 337782 7/2011
 AU 344493 9/2012
 AU 344494 9/2012
 AU 350490 8/2013
 AU 355991 6/2014
 AU 355992 6/2014
 AU 355993 6/2014
 AU 355994 6/2014
 AU 357542 9/2014
 AU 357840 9/2014
 AU 357842 9/2014
 AU 357843 9/2014

(56)

References Cited

FOREIGN PATENT DOCUMENTS

OTHER PUBLICATIONS

AquaDance, Chrome Hot Oval Square Style 6-setting High-Pressure Luxury Shower Head, Aug. 27, 2018, Amazon.com, site visited Mar. 25, 2021:URL <https://www.amazon.com/High-Pressure-Adjustable-Connection-All-Chrome-Manufacturer/dp/B07GVPYLQ3/> (Year: 2018).*

Amazon; *8 Inch Rainfall Shower Head*; WaterPoint; available at https://www.amazon.com/Inch-Rainfall-Shower-Head-WaterPoint/dp/B07R62JT94/ref=sr_1_1_75?keywords=showerhead&qid=1566490142&s=gateway&sr=8-75; available prior to Aug. 22, 2019. Toi Basin Mixer, Phoenix Tapware, Showers & Accessories, <http://www.phoenixtapware.com.au/products/toi-basin-mixer>, known at least as early as Oct. 25, 2016, 3 pgs.

Toi Wall Basin/Bath Mixer Set, <http://www.phoenixtapware.com.au/toi-wall-basin-mixer-set180mm>, known at least as early as Oct. 25, 2016, 3 pgs.

Toi Sink Mixer Squareline, Phoenix Tapware, Showers & Accessories, <http://www.phoenixtapware.com.au/toi-sink-mixer-180mm-squareline>, known at least as early as Oct. 25, 2016, 3 pgs.

* cited by examiner

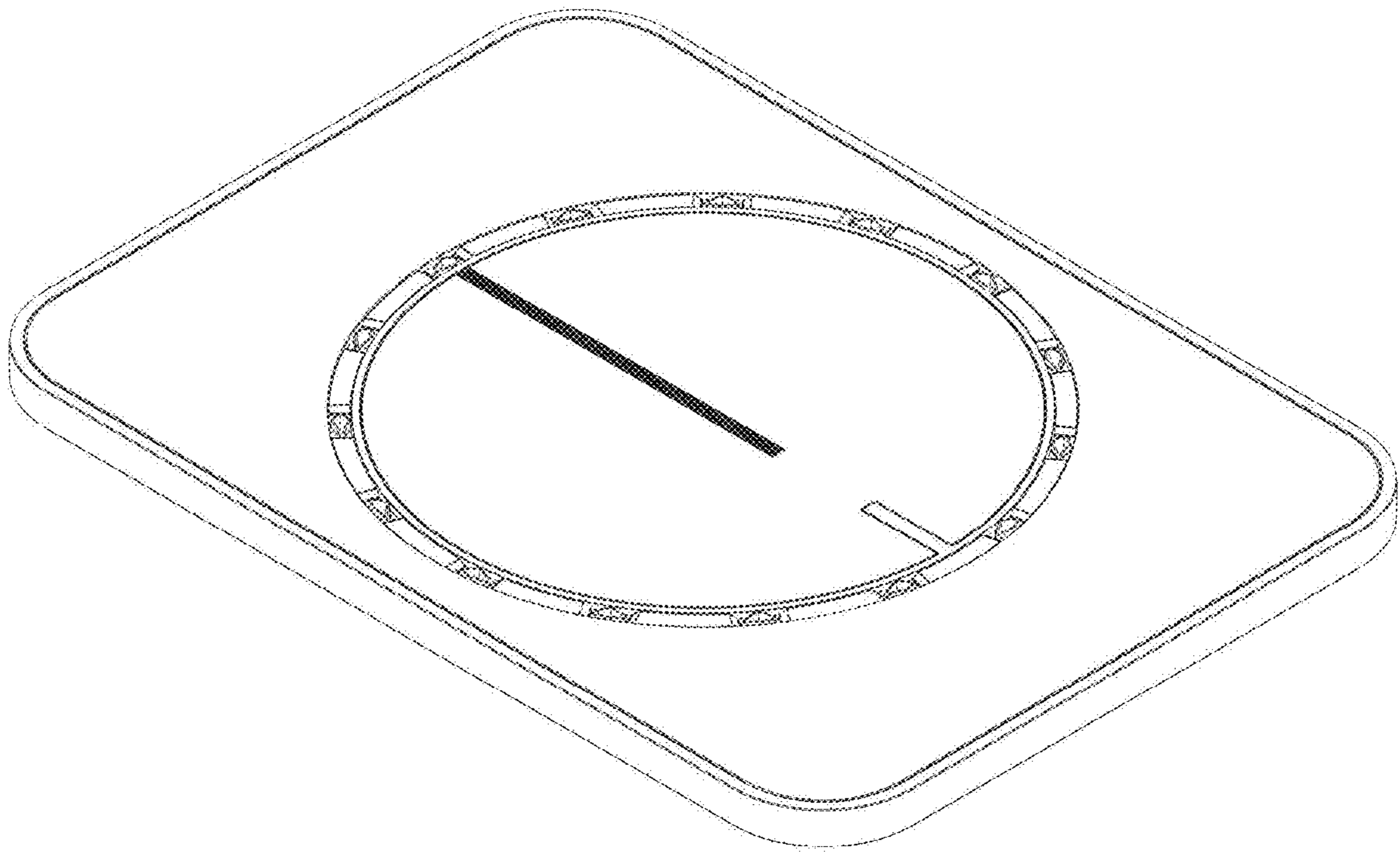


FIG. 1

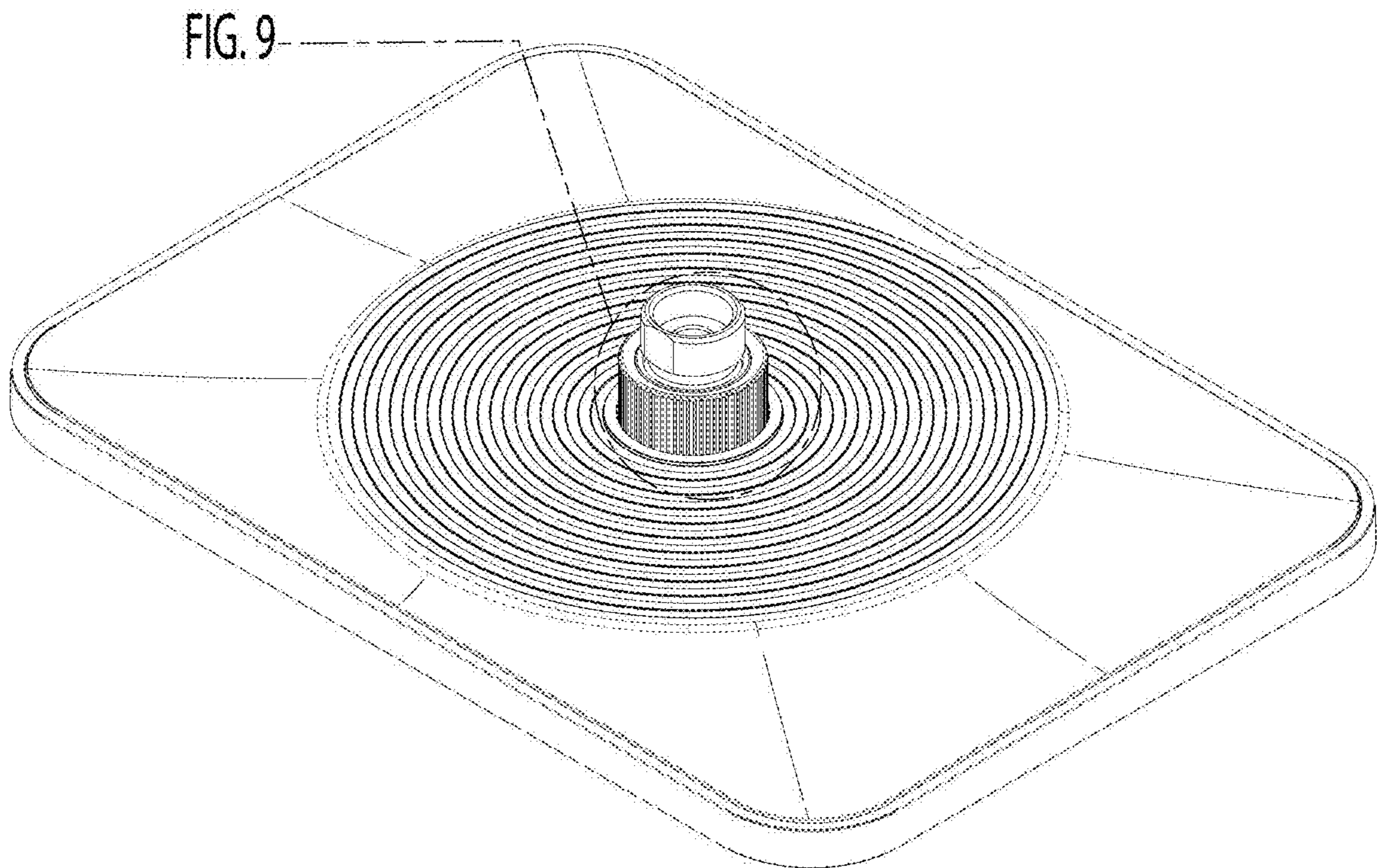


FIG. 9

FIG. 2

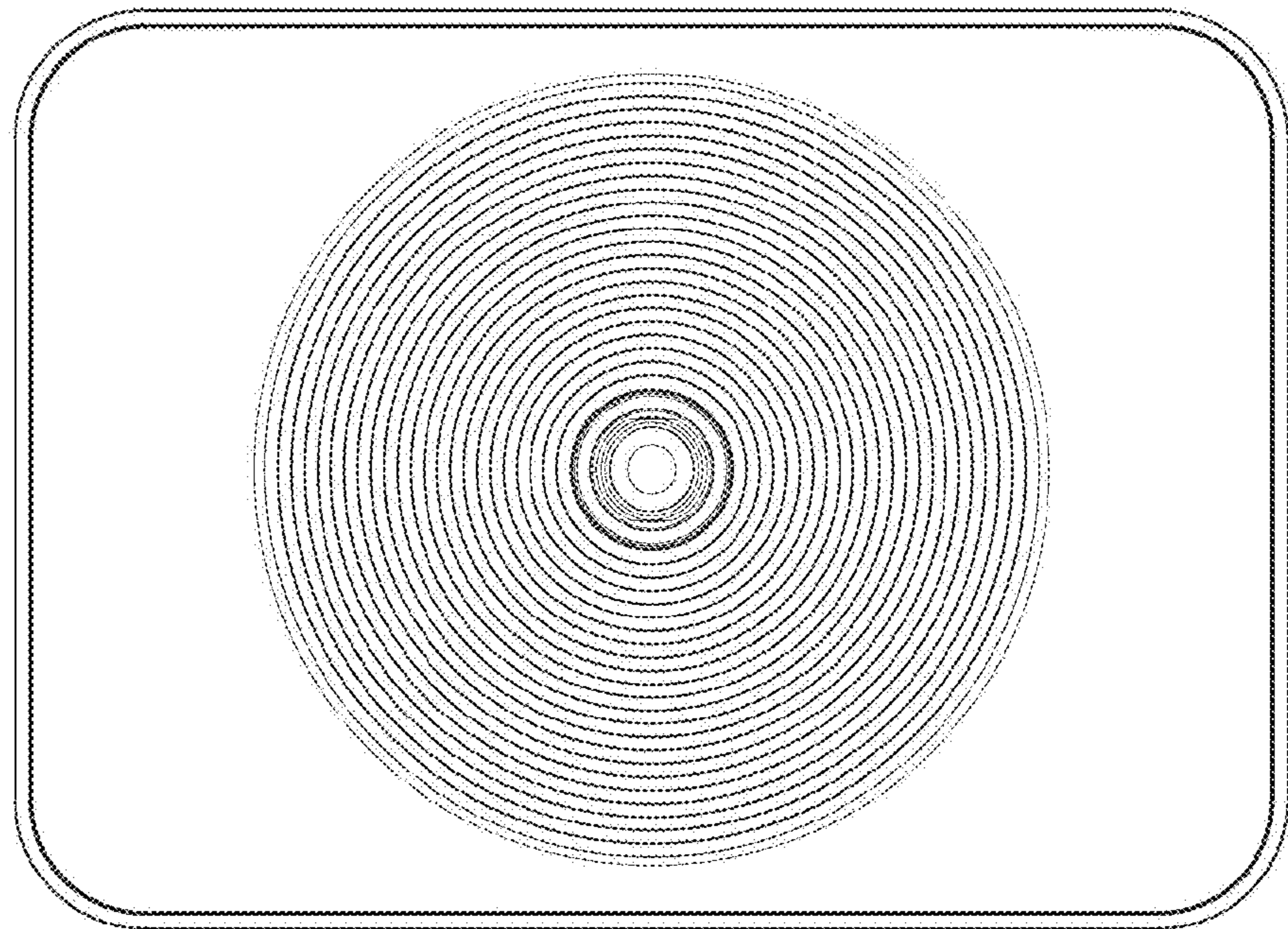


FIG. 3

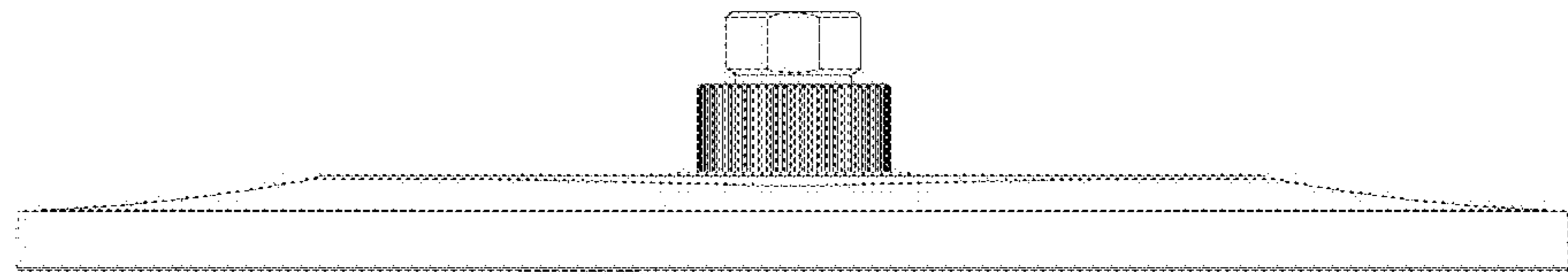


FIG. 4

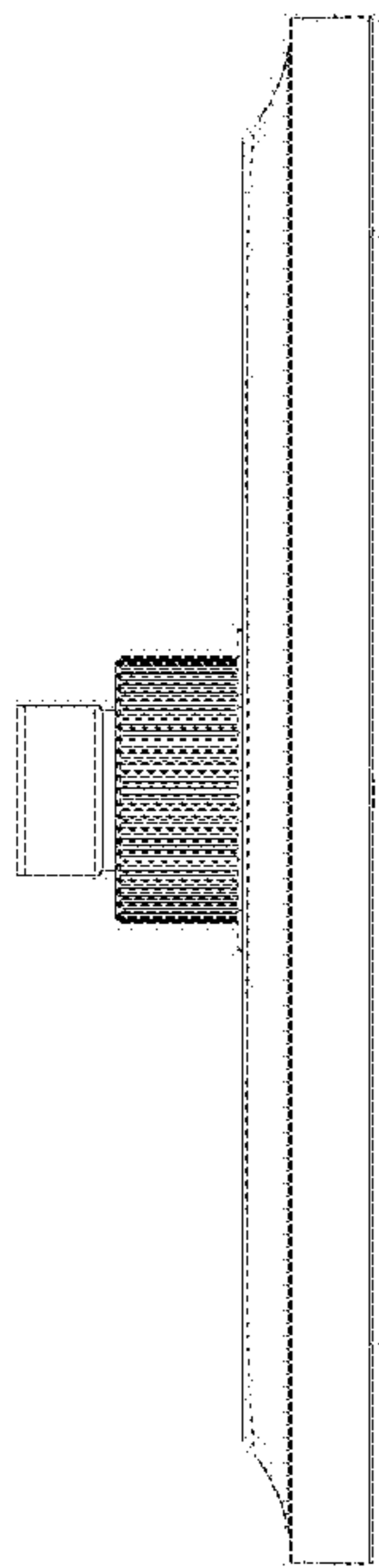


FIG. 5

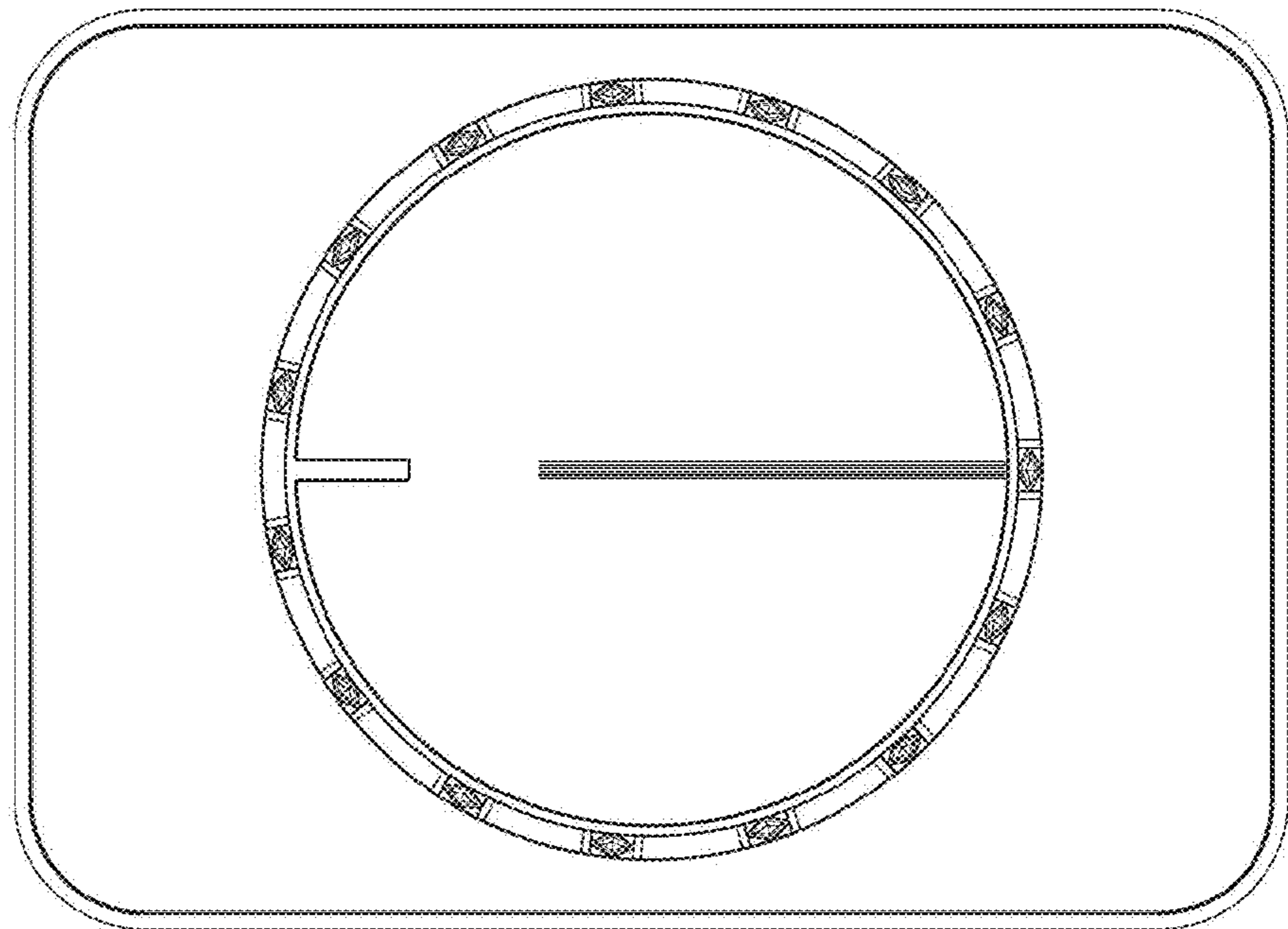


FIG. 6

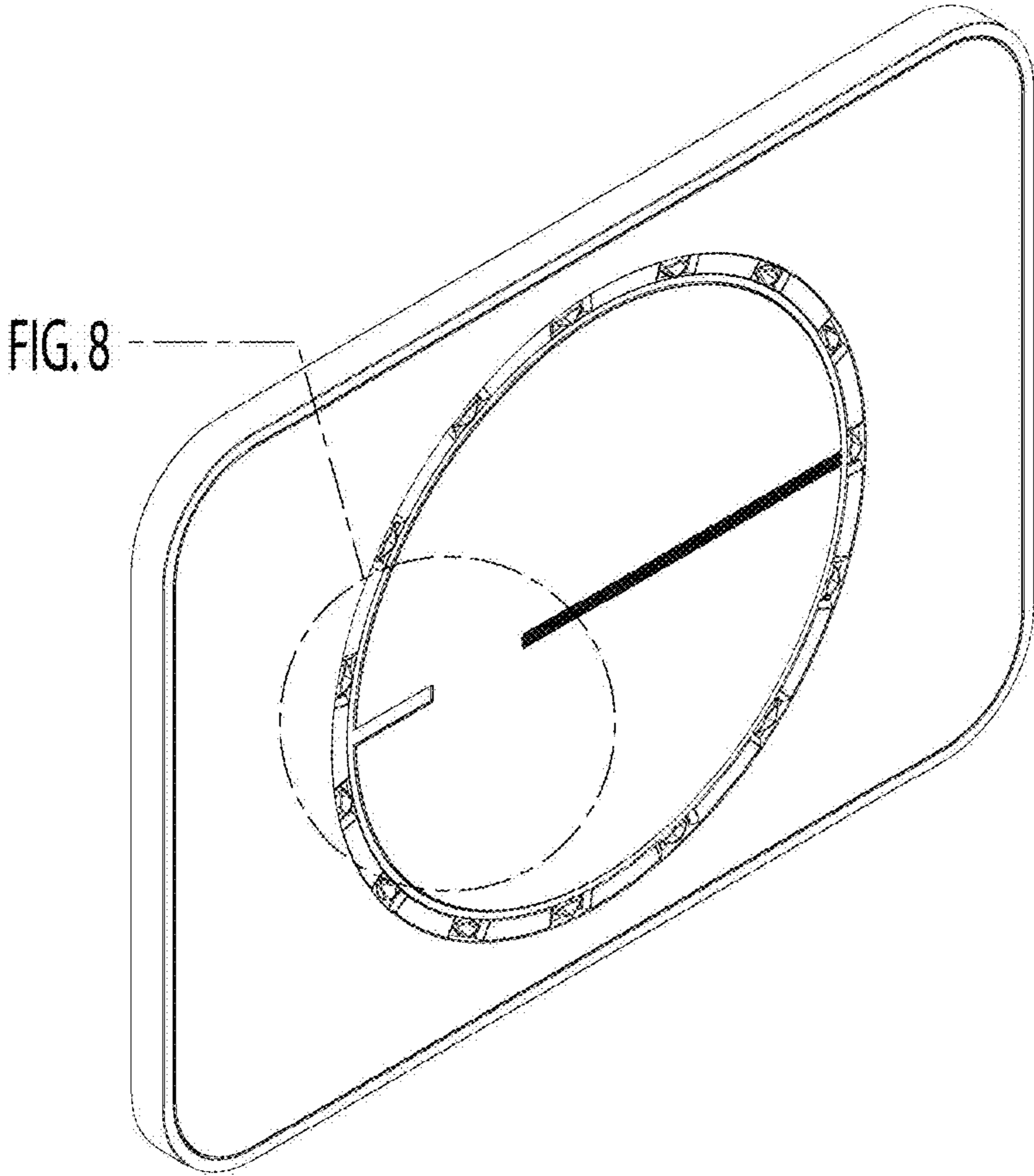


FIG. 7

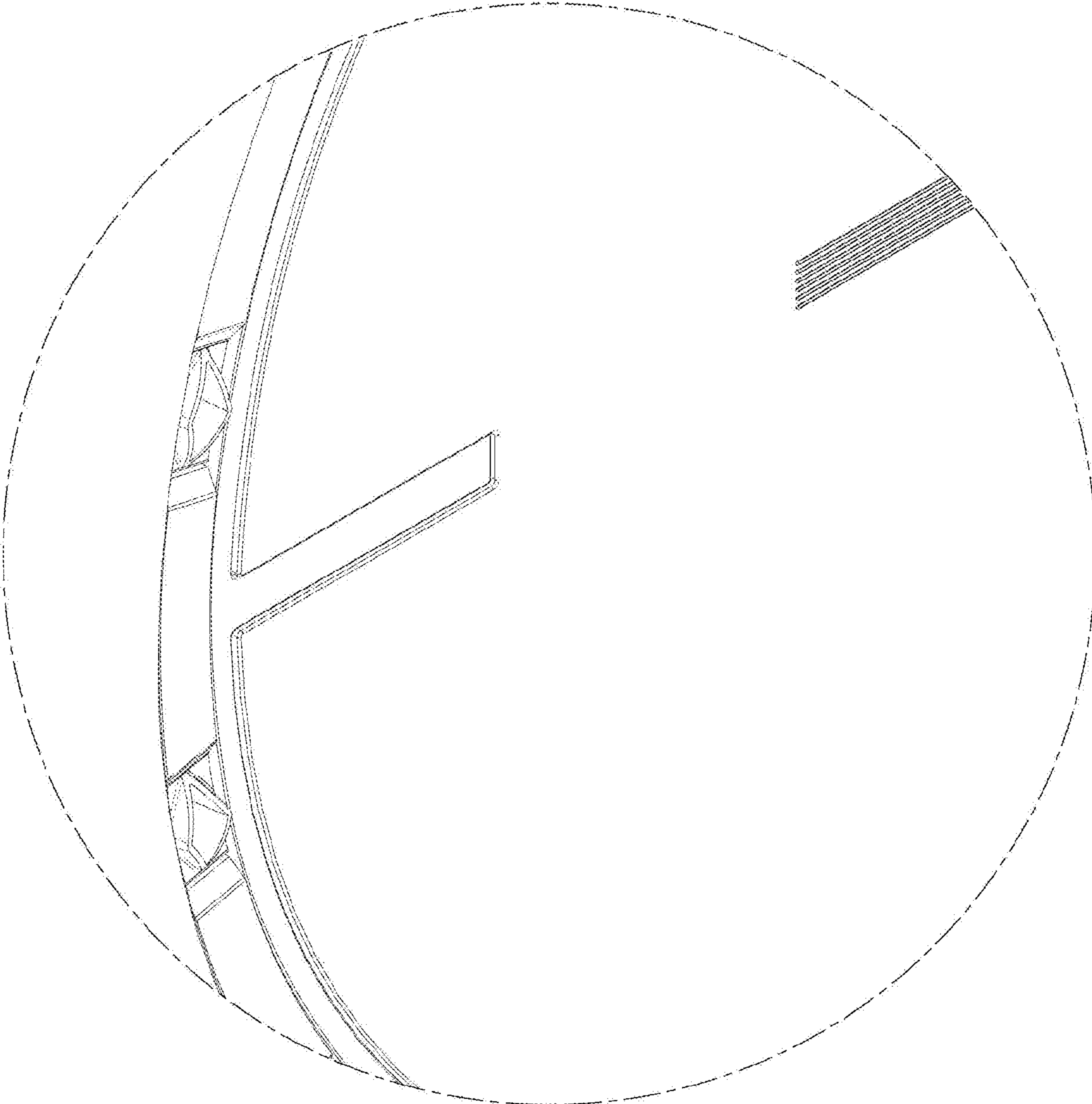


FIG. 8

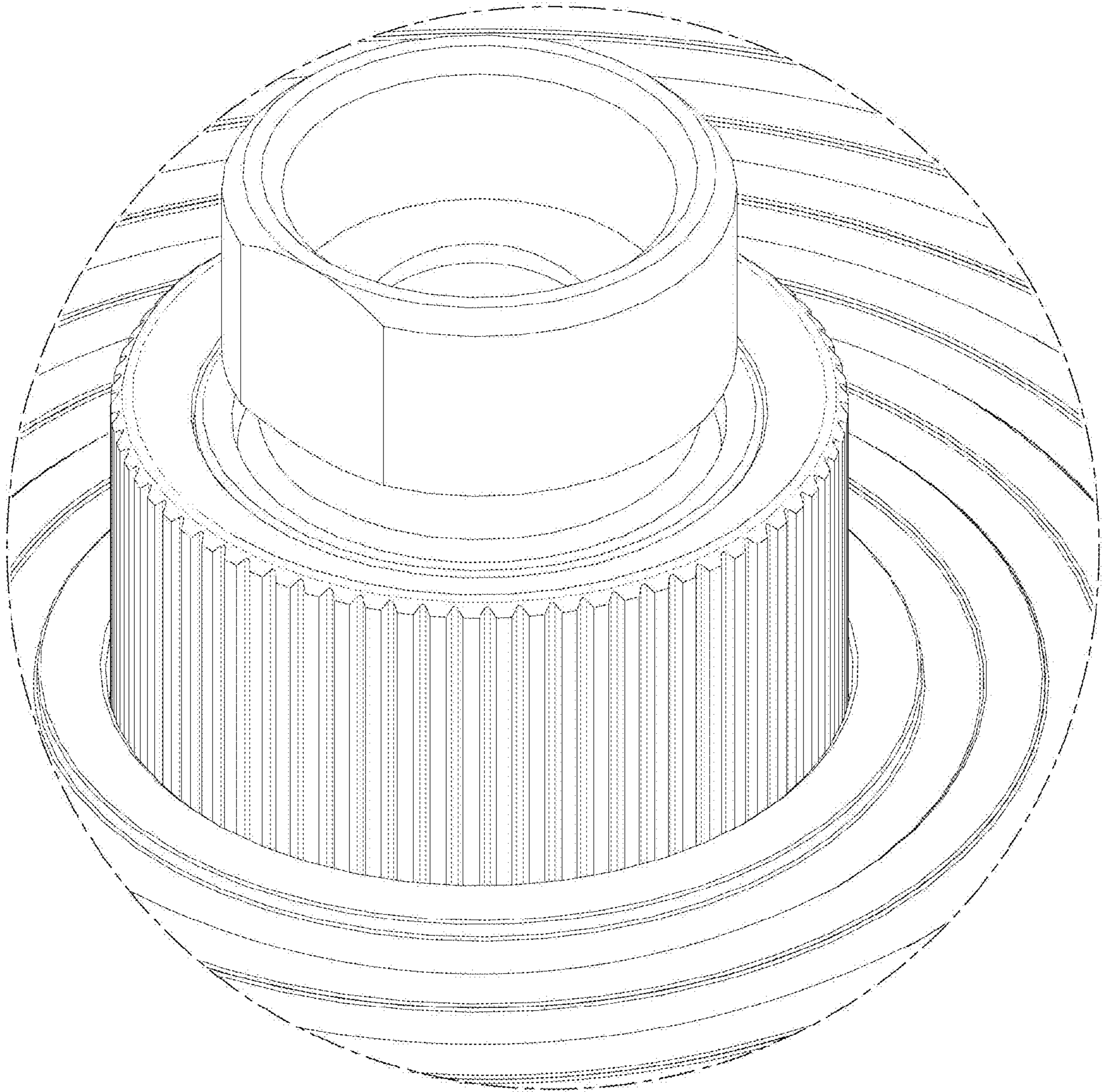


FIG. 9