



US00D927635S

(12) **United States Design Patent**
Choi et al.

(10) **Patent No.:** **US D927,635 S**

(45) **Date of Patent:** **** Aug. 10, 2021**

(54) **WATER TANK FOR INDOOR PLANT CULTIVATOR**

(71) Applicant: **LG ELECTRONICS INC.**, Seoul (KR)

(72) Inventors: **Kyukwan Choi**, Seoul (KR); **Sunil Cho**, Seoul (KR); **Joosang Kim**, Seoul (KR); **Minsub Kim**, Seoul (KR)

(73) Assignee: **LG ELECTRONICS INC.**, Seoul (KR)

(**) Term: **15 Years**

(21) Appl. No.: **29/697,526**

(22) Filed: **Jul. 9, 2019**

(30) **Foreign Application Priority Data**

Jan. 9, 2019 (WO) WIPO78932

(51) **LOC (13) Cl.** **23-01**

(52) **U.S. Cl.**
USPC **D23/202**

(58) **Field of Classification Search**
USPC D23/202; D15/79, 89, 90; D11/144, 155
CPC A01G 27/02; A01G 27/06; A01G 31/00; F25D 25/025
See application file for complete search history.

(56) **References Cited**

U.S. PATENT DOCUMENTS

- 8,590,993 B2 * 11/2013 Lee F25D 25/025
312/404
- 8,621,783 B2 * 1/2014 Tsai A01G 27/02
47/79
- D734,784 S * 7/2015 Kim D15/89
- D774,114 S * 12/2016 Lee D15/89
- D786,949 S * 5/2017 Onrat D15/89
- D790,609 S * 6/2017 Kim D15/89

(Continued)

OTHER PUBLICATIONS

“Urban Cultivator Residential user manual” Jan. 21, 2016, Urbancultivator.net, site visited Mar. 31, 2021: <https://www.urbancultivator.net/assets/UC-R-usermanual.pdf> (Year: 2016).*

(Continued)

Primary Examiner — Jack Reickel

Assistant Examiner — Bobby W Jones, II

(74) *Attorney, Agent, or Firm* — Birch, Stewart, Kolasch & Birch, LLP

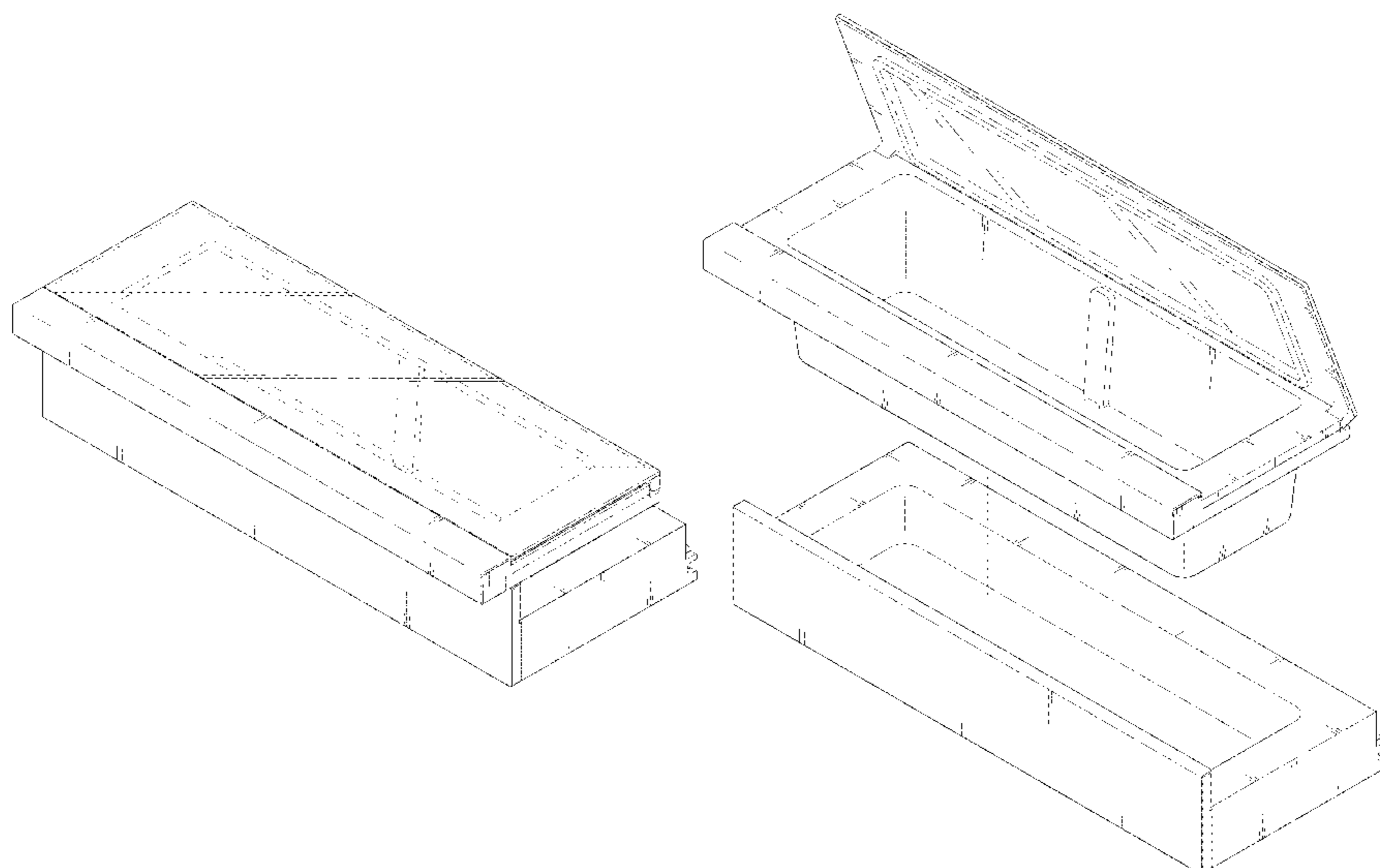
(57) **CLAIM**

The ornamental design for a water tank for indoor plant cultivator, as shown and described.

DESCRIPTION

FIG. 1 is a front perspective view of a water tank for indoor plant cultivator showing our new design;
 FIG. 2 is a front view thereof;
 FIG. 3 is a rear view thereof;
 FIG. 4 is a left side view thereof where the right side view is a mirror image;
 FIG. 5 is a top plan view thereof;
 FIG. 6 is a bottom plan view thereof;
 FIG. 7 is an another front perspective view showing the state in which the top cover has been opened;
 FIG. 8 is an exploded view showing a state in which the upper main body is separated from the lower part;
 FIG. 9 is a reference view showing the state the claimed design has been installed in an indoor plant cultivator; and,
 FIG. 10 is a reference view showing the use status in which the upper main body is separated by sliding from the indoor plant cultivator.
 The broken lines depict portions of the water tank for indoor plant cultivator that form no part of the claimed design.

1 Claim, 10 Drawing Sheets



(56)

References Cited

U.S. PATENT DOCUMENTS

D800,185 S * 10/2017 Onrat D15/89
 D802,631 S * 11/2017 Seo D15/90
 9,903,635 B2 * 2/2018 Eicher F25D 25/025
 10,436,500 B2 * 10/2019 Jo F25D 25/021
 2004/0031705 A1 * 2/2004 DeTemple, II B65D 43/0212
 206/213.1
 2006/0016211 A1 * 1/2006 Lyvers F25D 25/025
 62/440
 2008/0083163 A1 * 4/2008 Amsellem A01G 9/042
 47/66.6
 2012/0079845 A1 * 4/2012 Hong F25D 25/025
 62/407
 2012/0126680 A1 * 5/2012 Lee F25D 25/025
 312/408
 2013/0221824 A1 * 8/2013 Jeon F25D 25/025
 312/404
 2014/0312759 A1 * 10/2014 Song F25D 23/069
 312/405.1

2015/0022072 A1 * 1/2015 Haltmeyer A47B 97/00
 312/401
 2016/0265816 A1 * 9/2016 Gillette F25D 25/025
 2016/0366919 A1 * 12/2016 van Someren Greve
 A23L 3/3418
 2017/0131016 A1 * 5/2017 Eicher F25D 25/021
 2017/0303515 A1 * 10/2017 Lu F25D 31/006
 2018/0149415 A1 * 5/2018 Jo F25D 25/025
 2018/0209713 A1 * 7/2018 Yun F25D 11/02
 2018/0238611 A1 * 8/2018 Saunders F25C 5/22
 2018/0347871 A1 * 12/2018 Park F25B 21/04

OTHER PUBLICATIONS

“GardenChef Soil Planting 2018” Sep. 18, 2018, YouTube, site visited Apr. 5, 2021: <https://www.youtube.com/watch?v=9YotRv3nieo> (Year: 2018).*
 “Family Garden user manual” Dec. 22, 2020, Rise Gardens, site visited Apr. 5, 2021: https://cdn.shopify.com/s/files/1/0245/4614/8404/files/Family_Garden_-_User_Manual_-_V6_1.pdf (Year: 2020).*

* cited by examiner

FIG. 1

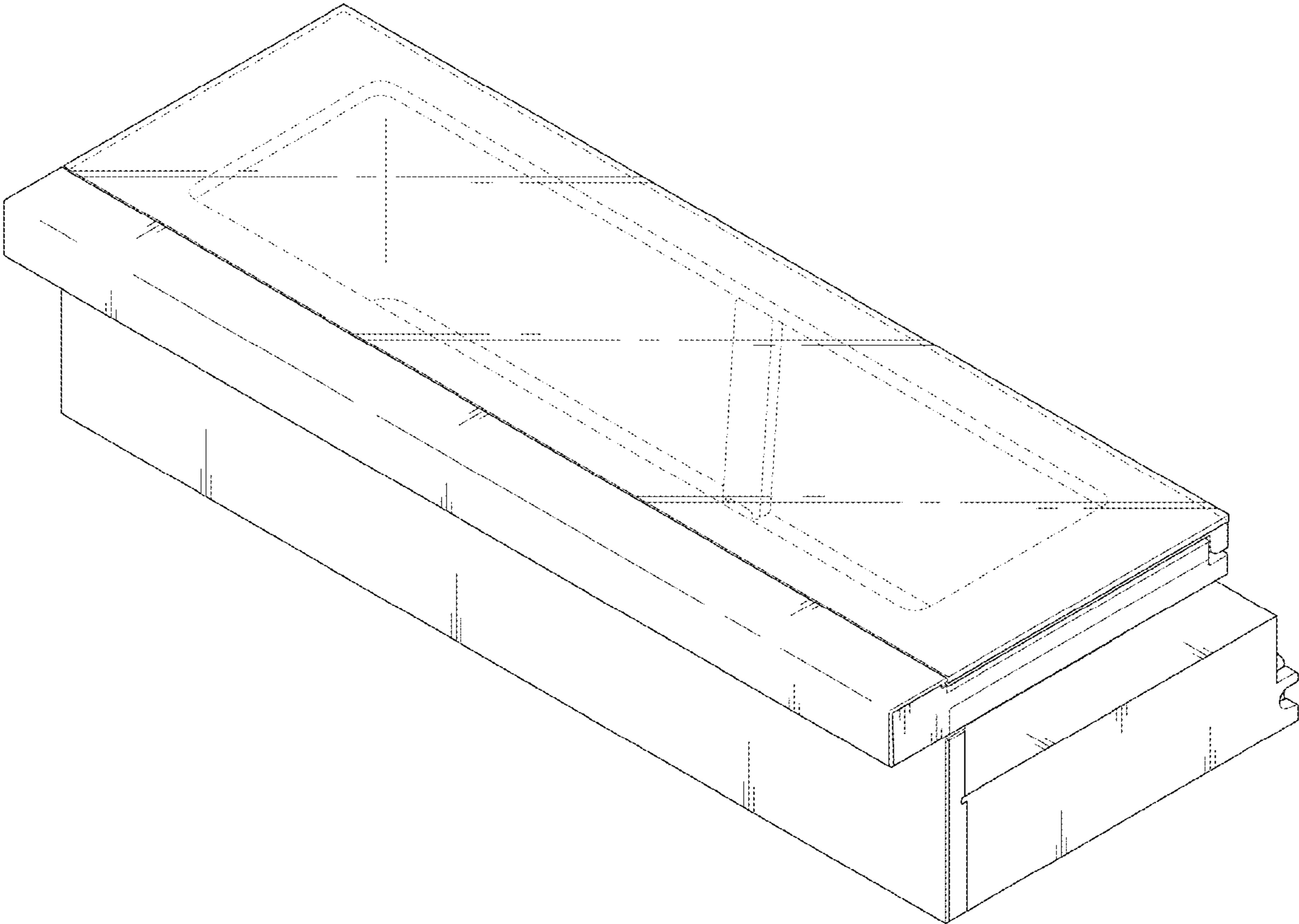


FIG. 2

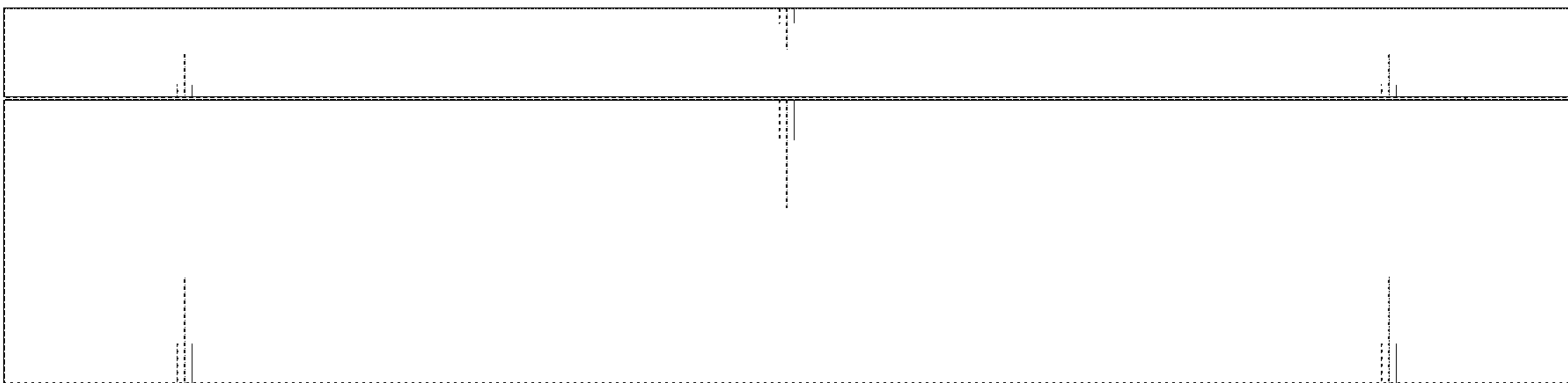


FIG. 3

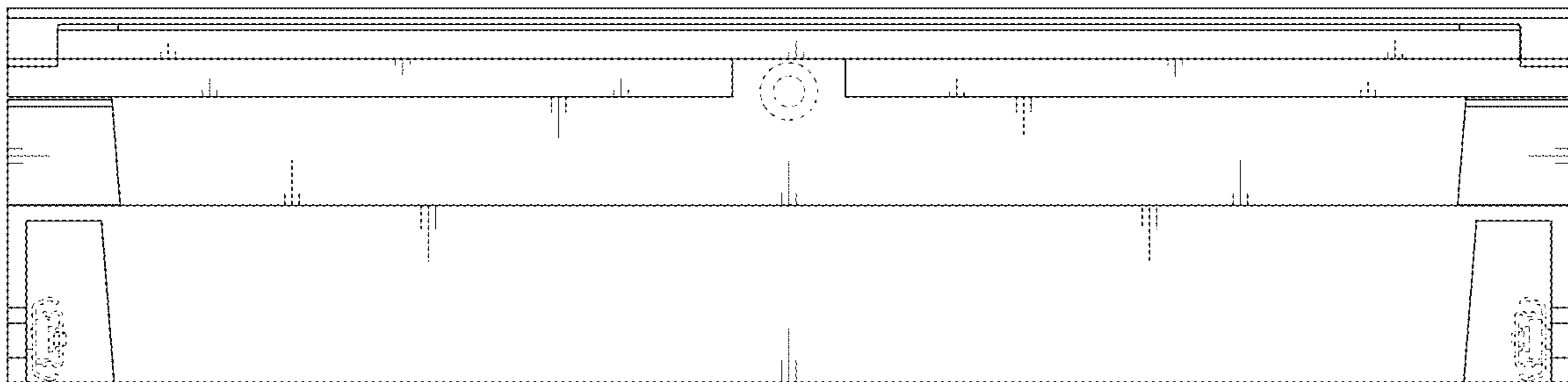


FIG. 4

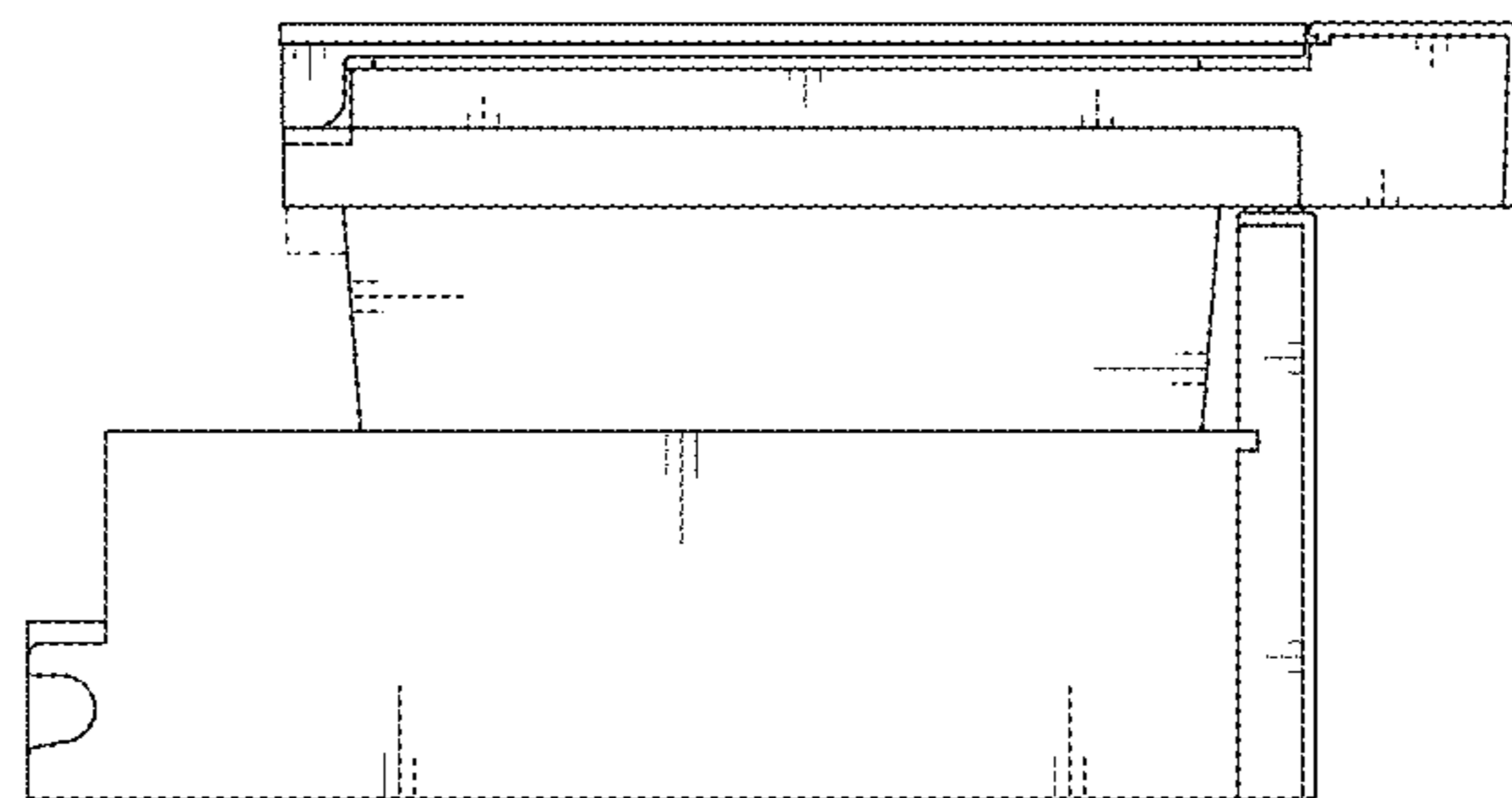


FIG. 5

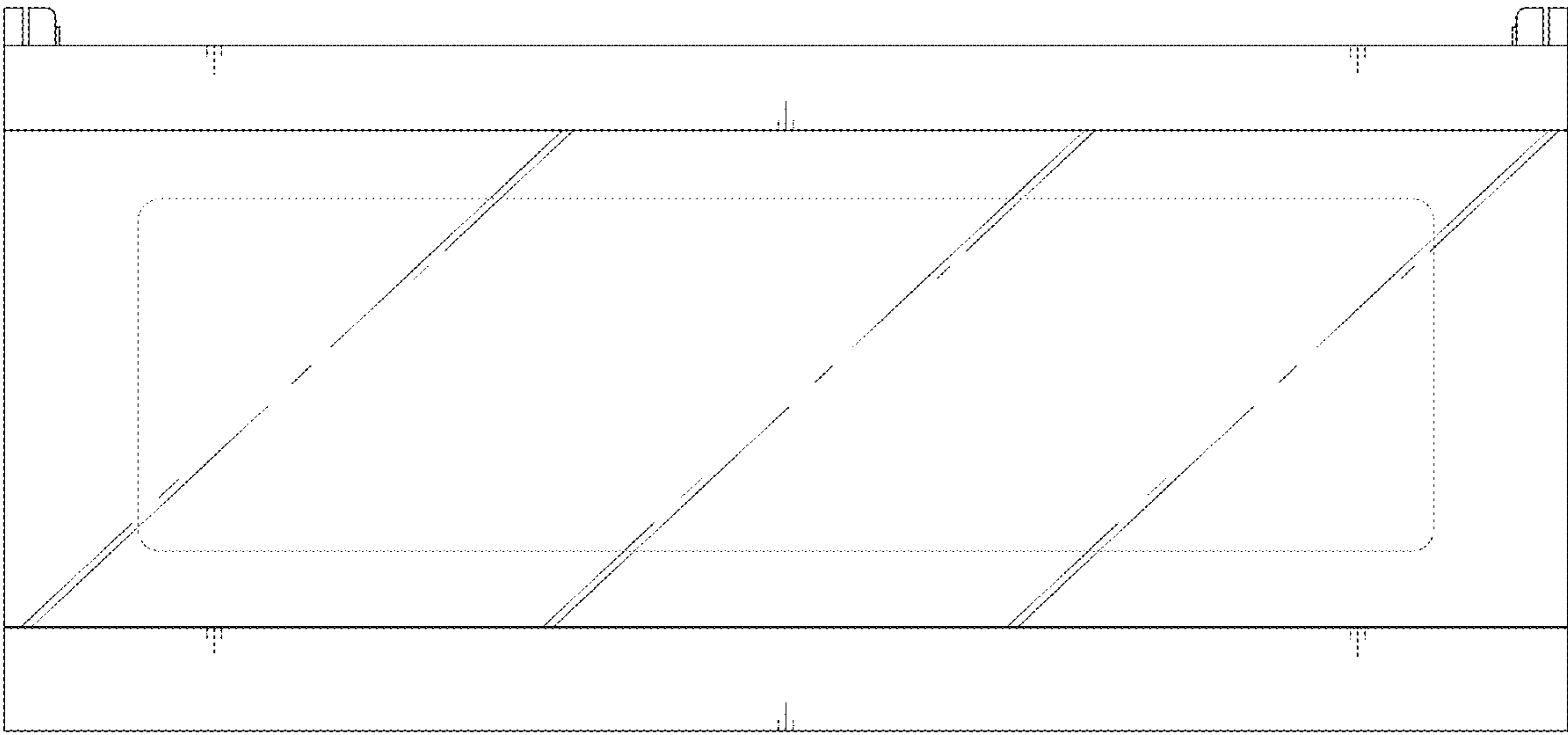


FIG. 6

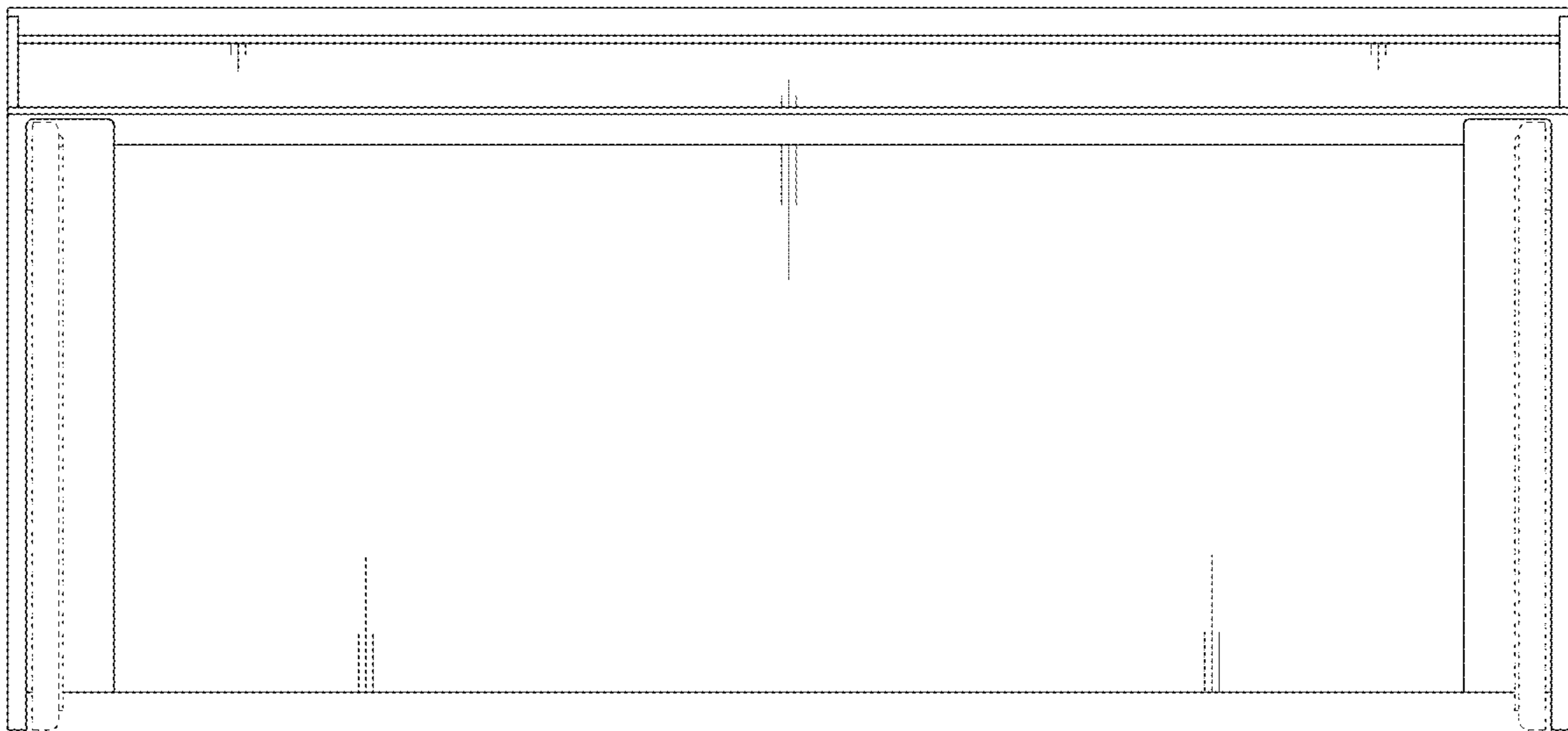


FIG. 7

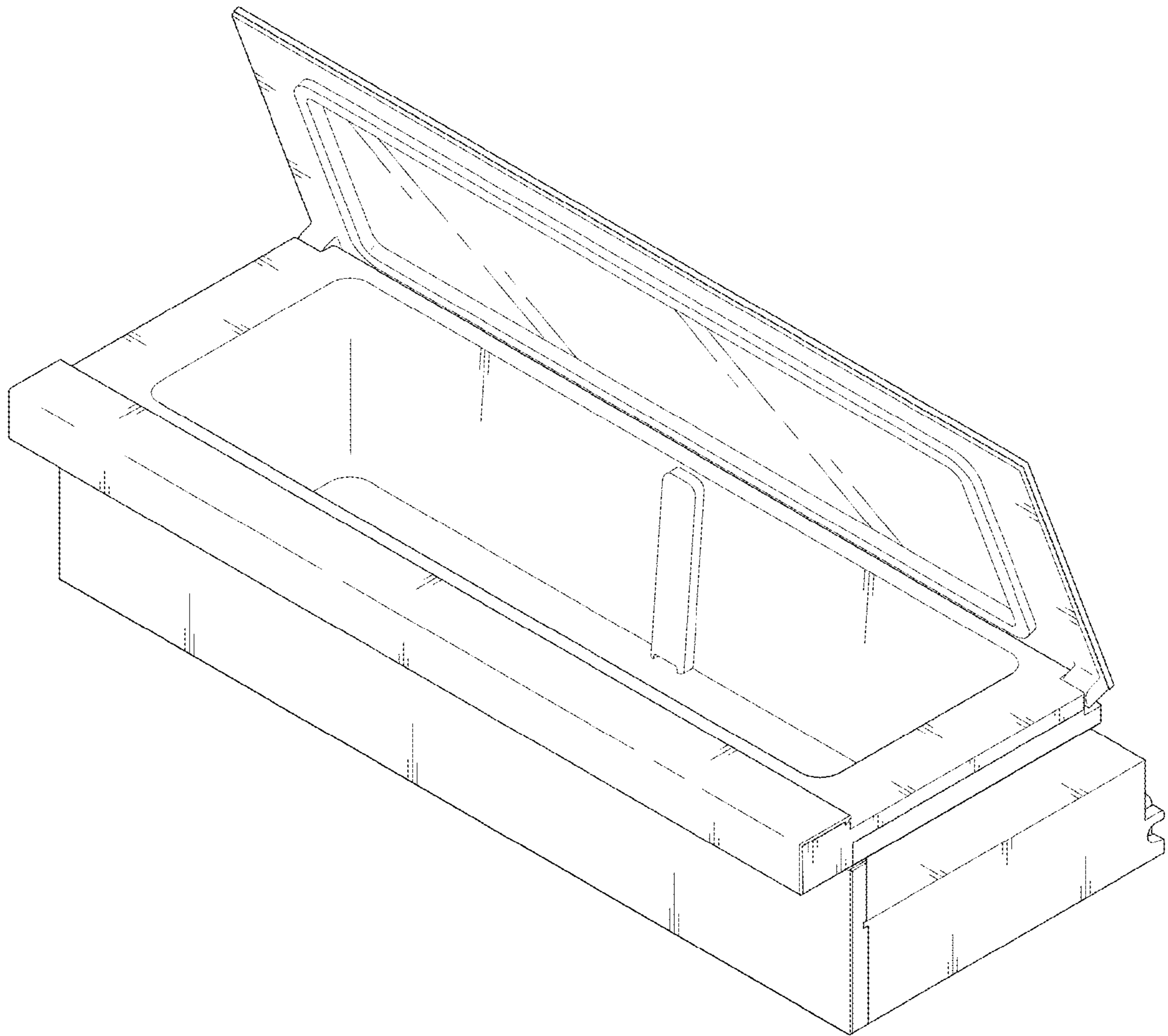


FIG. 8

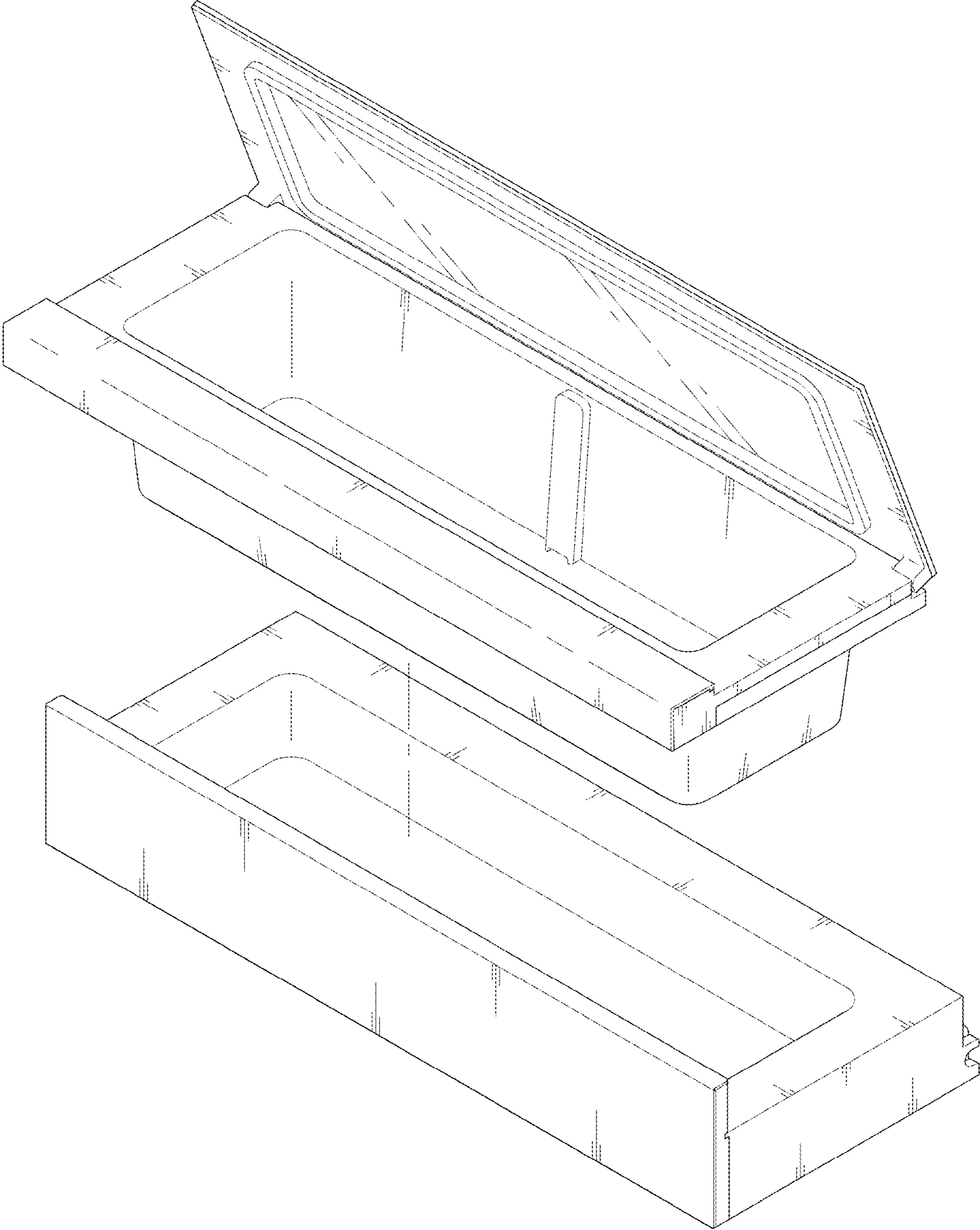


FIG. 9

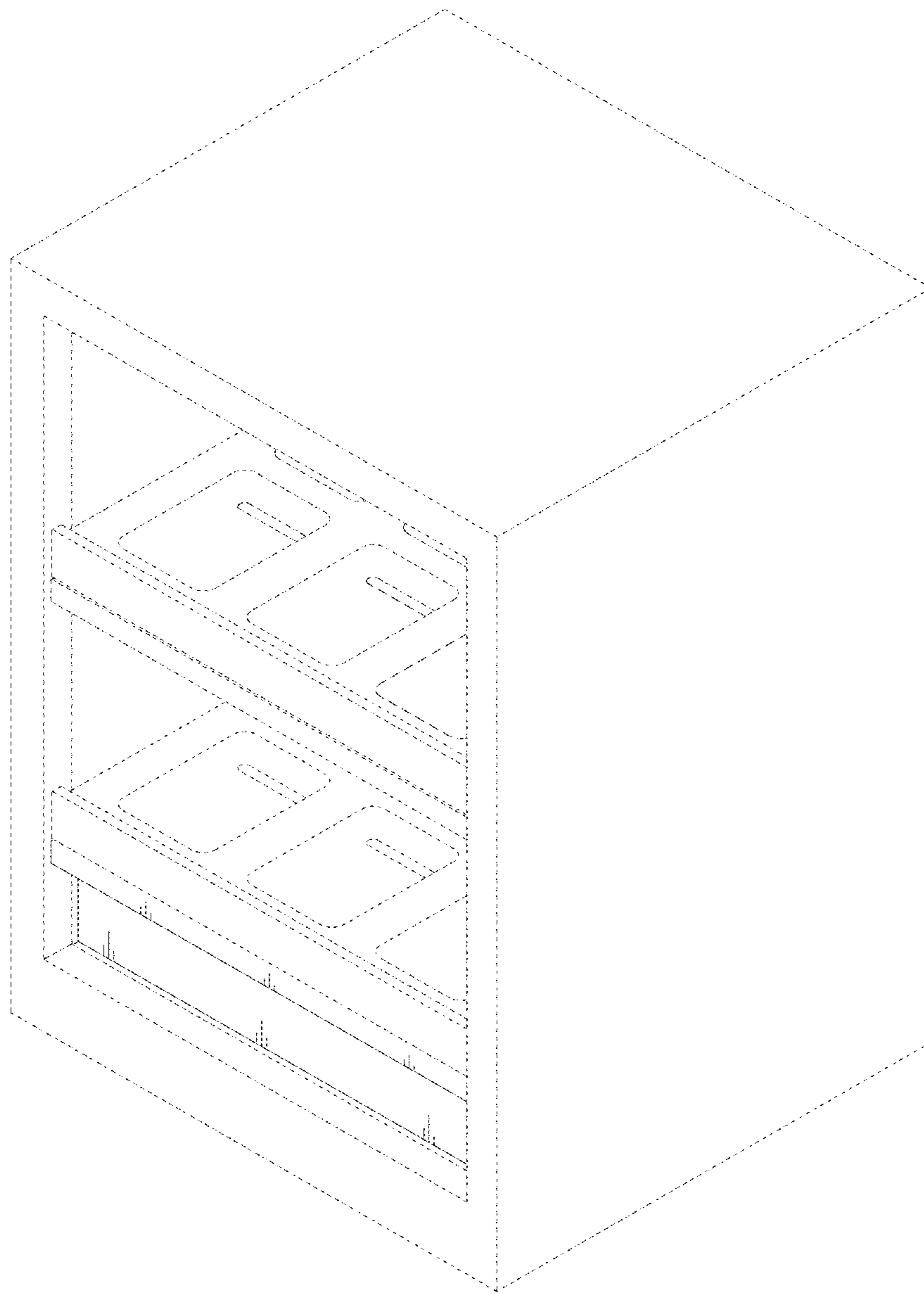


FIG. 10

