



US00D927634S

(12) **United States Design Patent**  
**Hu**

(10) **Patent No.:** **US D927,634 S**

(45) **Date of Patent:** **\*\* Aug. 10, 2021**

(54) **GUNSTOCK**

(71) Applicant: **Shih-Che Hu**, Tainan (TW)

(72) Inventor: **Shih-Che Hu**, Tainan (TW)

(\*\*) Term: **15 Years**

(21) Appl. No.: **29/670,781**

(22) Filed: **Nov. 20, 2018**

(51) **LOC (13) Cl.** ..... **22-01**

(52) **U.S. Cl.**

USPC ..... **D22/111**; D22/108

(58) **Field of Classification Search**

USPC ..... D22/100, 103, 104, 105, 108, 109, 110,  
D22/111, 199; D21/567, 573, 574, 575

CPC ..... F41C 23/04; F41C 23/08; F41C 23/16;  
F41G 1/02; F41G 1/027; F41G 1/06;  
F41A 17/46; F41A 19/11

See application file for complete search history.

(56) **References Cited**

**U.S. PATENT DOCUMENTS**

D607,078 S *	12/2009	Chu	.....	D22/109
D620,546 S *	7/2010	Fitzpatrick	.....	D22/111
D643,498 S *	8/2011	Burt	.....	D22/111
D655,777 S *	3/2012	Burt	.....	D22/108
D702,792 S *	4/2014	Burt	.....	D22/103
D712,998 S *	9/2014	Gomez	.....	D22/108
D714,413 S *	9/2014	Kerbrat	.....	D22/104
D753,782 S *	4/2016	Vazquez	.....	D22/108
9,541,347 B2 *	1/2017	Maugham	.....	F41C 23/04
D792,550 S *	7/2017	Smith	.....	D22/111
D795,982 S *	8/2017	Ottosen	.....	D22/108
D810,225 S *	2/2018	Huang	.....	D22/108
10,054,394 B2 *	8/2018	Jen	.....	F41C 23/04
10,060,699 B1 *	8/2018	Hu	.....	F41C 23/04
10,088,268 B2 *	10/2018	Hewes	.....	F41C 23/14
D840,495 S *	2/2019	Kindig	.....	D22/111
D847,933 S *	5/2019	Windfeldt	.....	D22/108
D865,898 S *	11/2019	Windfeldt	.....	D22/108
D882,014 S *	4/2020	Jen	.....	D22/108

D883,419 S *	5/2020	Windfeldt	.....	D22/108
D893,664 S *	8/2020	Hu	.....	D22/111
D897,480 S *	9/2020	Shi	.....	D22/108
D899,549 S *	10/2020	Hu	.....	D22/111
D900,269 S *	10/2020	Huang	.....	D22/108
D901,616 S *	11/2020	Kincel	.....	D22/111
D906,464 S *	12/2020	Acarreta	.....	D22/108
D907,157 S *	1/2021	Faifer	.....	D22/108

(Continued)

**OTHER PUBLICATIONS**

“Sig Sauer MPX / MCX Collapsible Stock, Black”, [online] midwestgunworks.com [retrieved on Nov. 4, 2019], Retrieved from the Internet: <<https://www.midwestgunworks.com/page/mgwi/prod/STOCK-X-COLLAPS-BLK>>.\*

(Continued)

*Primary Examiner* — Mojtaba Tehrani

(74) *Attorney, Agent, or Firm* — Raymond Chan

(57) **CLAIM**

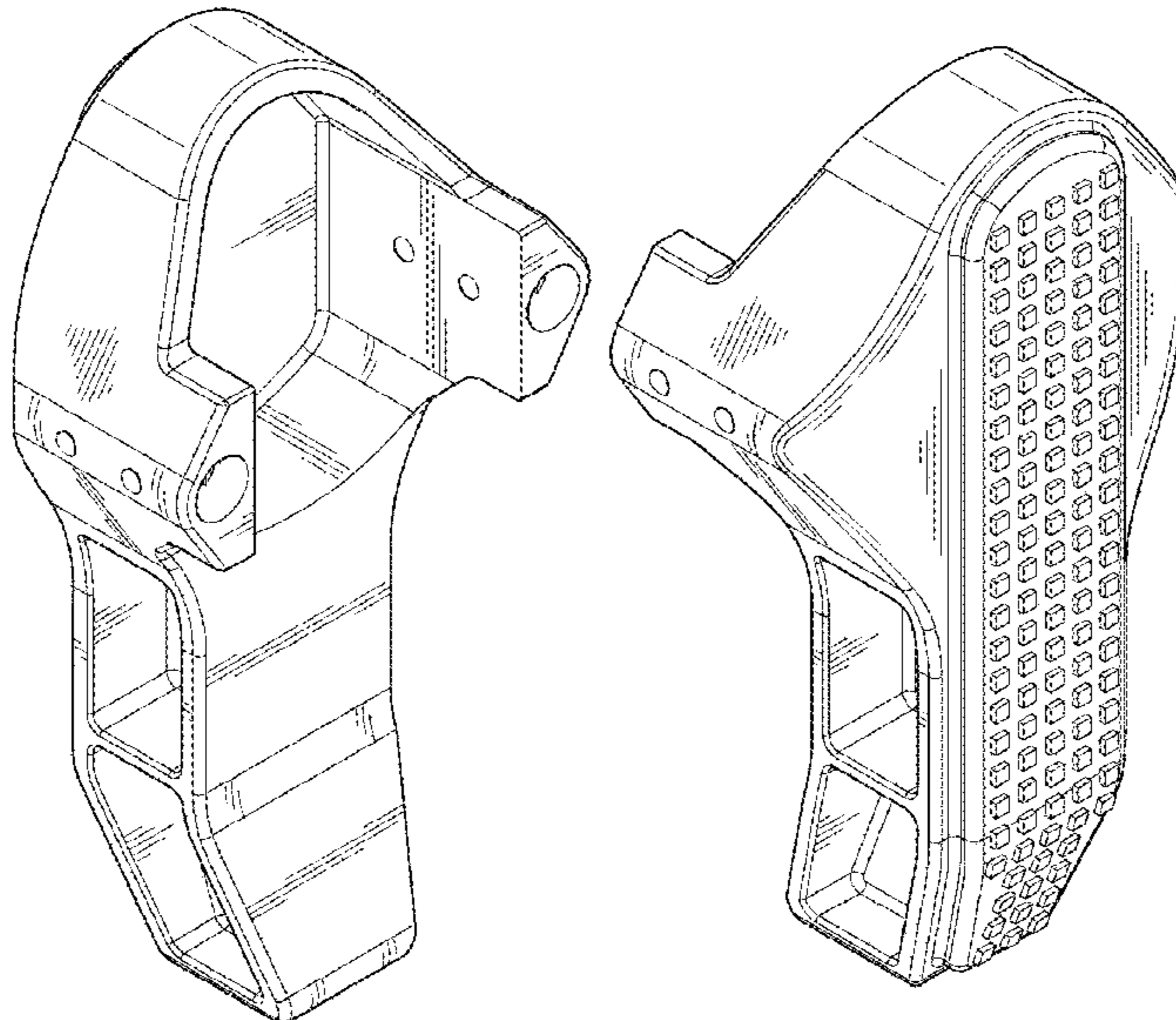
The ornamental design for a gunstock, as shown and described.

**DESCRIPTION**

FIG. 1 is a front perspective view of gunstock showing my new design;  
FIG. 2 is a front view thereof;  
FIG. 3 is a rear view thereof;  
FIG. 4 is a left end view thereof;  
FIG. 5 is a right end view thereof;  
FIG. 6 is a top view thereof;  
FIG. 7 is a bottom view thereof; and,  
FIG. 8 is a rear perspective view thereof.

The evenly broken line within the drawings depicts unclaimed portion of the gunstock; the dash-dot broken line depicts the boundary of the claimed design. The broken lines form no part of the claimed design.

**1 Claim, 6 Drawing Sheets**



(56)

**References Cited**

U.S. PATENT DOCUMENTS

2016/0116249 A1\* 4/2016 Maugham ..... F41C 23/04  
42/74  
2016/0305738 A1\* 10/2016 Huang ..... F41C 23/04  
2017/0241737 A1\* 8/2017 Keller, II ..... F41C 23/14

OTHER PUBLICATIONS

“HK MP5 / HK94 Collapsible Stock”, [online] gunpartscorp.com [retrieved on Nov. 4, 2019], Retrieved from the Internet: <<https://www.gunpartscorp.com/products/1086890>>.\*

“HK93 & HK33 A3 Retractable Stock Black German”, [online] guntechtexas.com [retrieved on Nov. 4, 2019], Retrieved from the Internet: <<https://guntechtexas.com/product/hk-93-33-stock/>>.\*

“KWA Tanker-Style Stock Set”, [online] kausa.com [Retrieved on Apr. 9, 2021]. Retrieved from the Internet: <<https://store.kausa.com/product/kwa-tanker-style-stock-set/>>.\*

“KWA VM4 Ronin T6 | Perfect for CQB?? | Airsoft Unboxing & Review”, [online] Jag Airsoft [Published on May 31, 2020]. Retrieved from the Internet: <<https://www.youtube.com/watch?v=CCwZIPVML8s>>.\*

\* cited by examiner

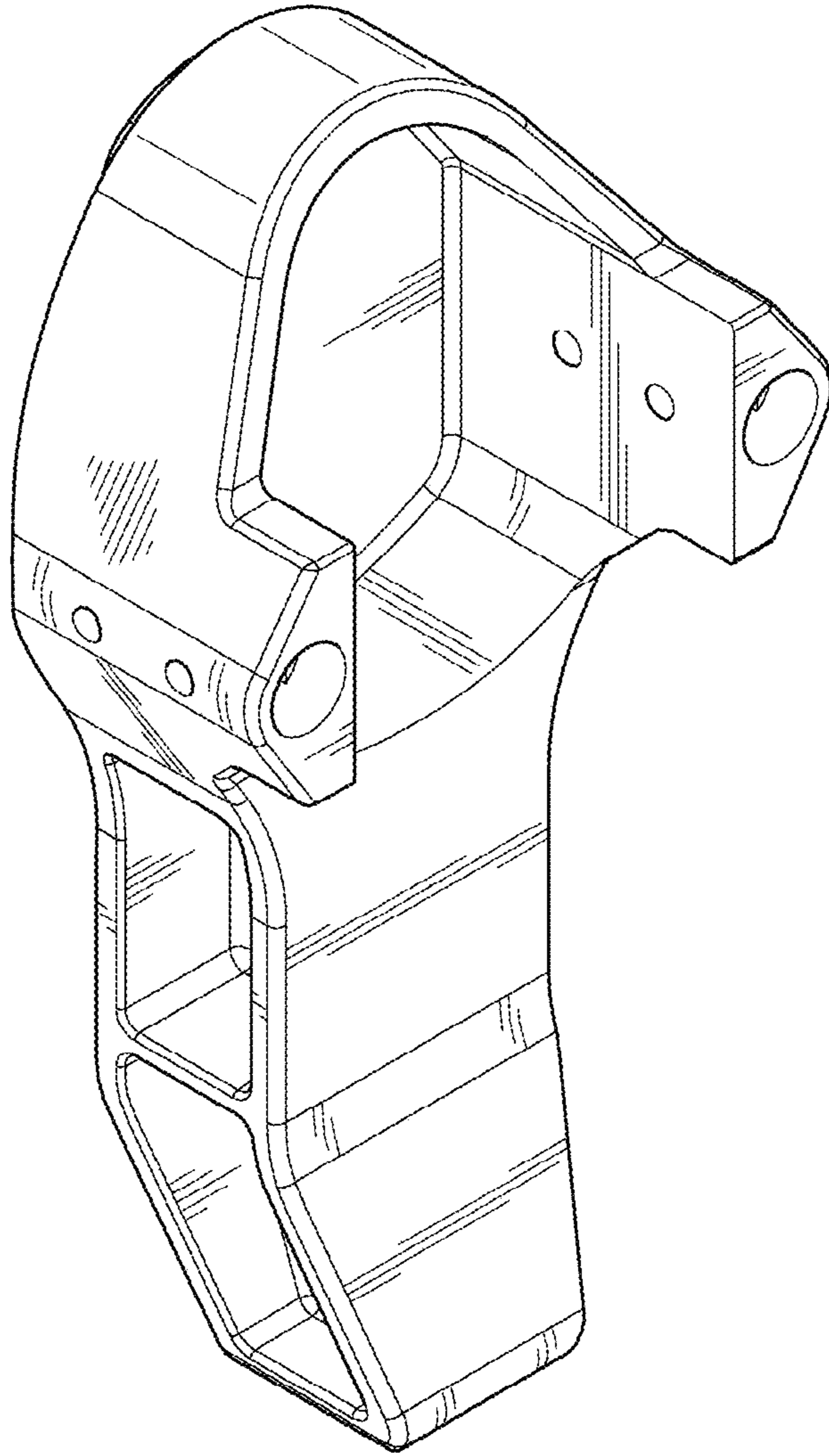


FIG. 1

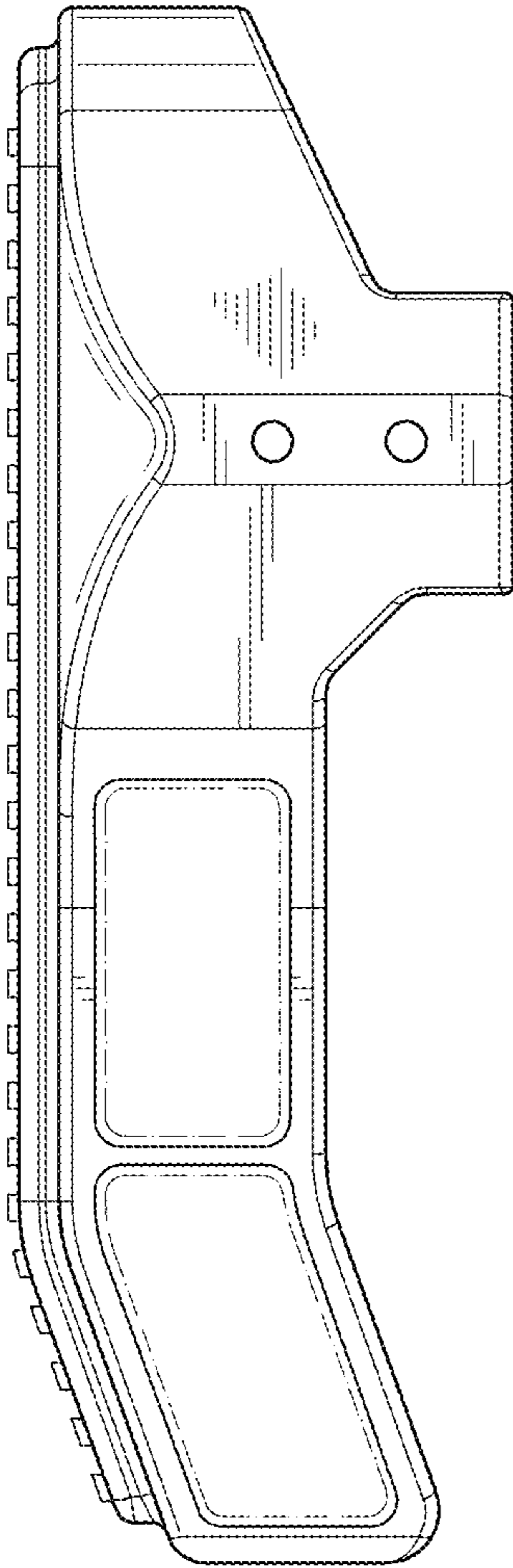


FIG. 2

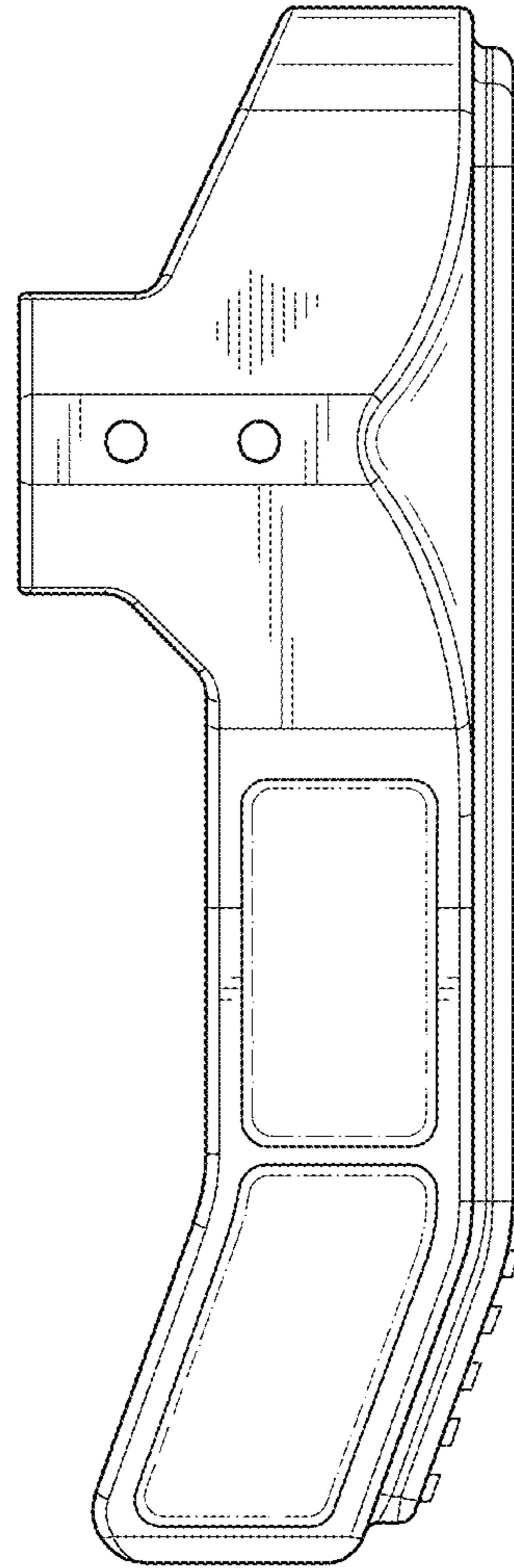


FIG. 3

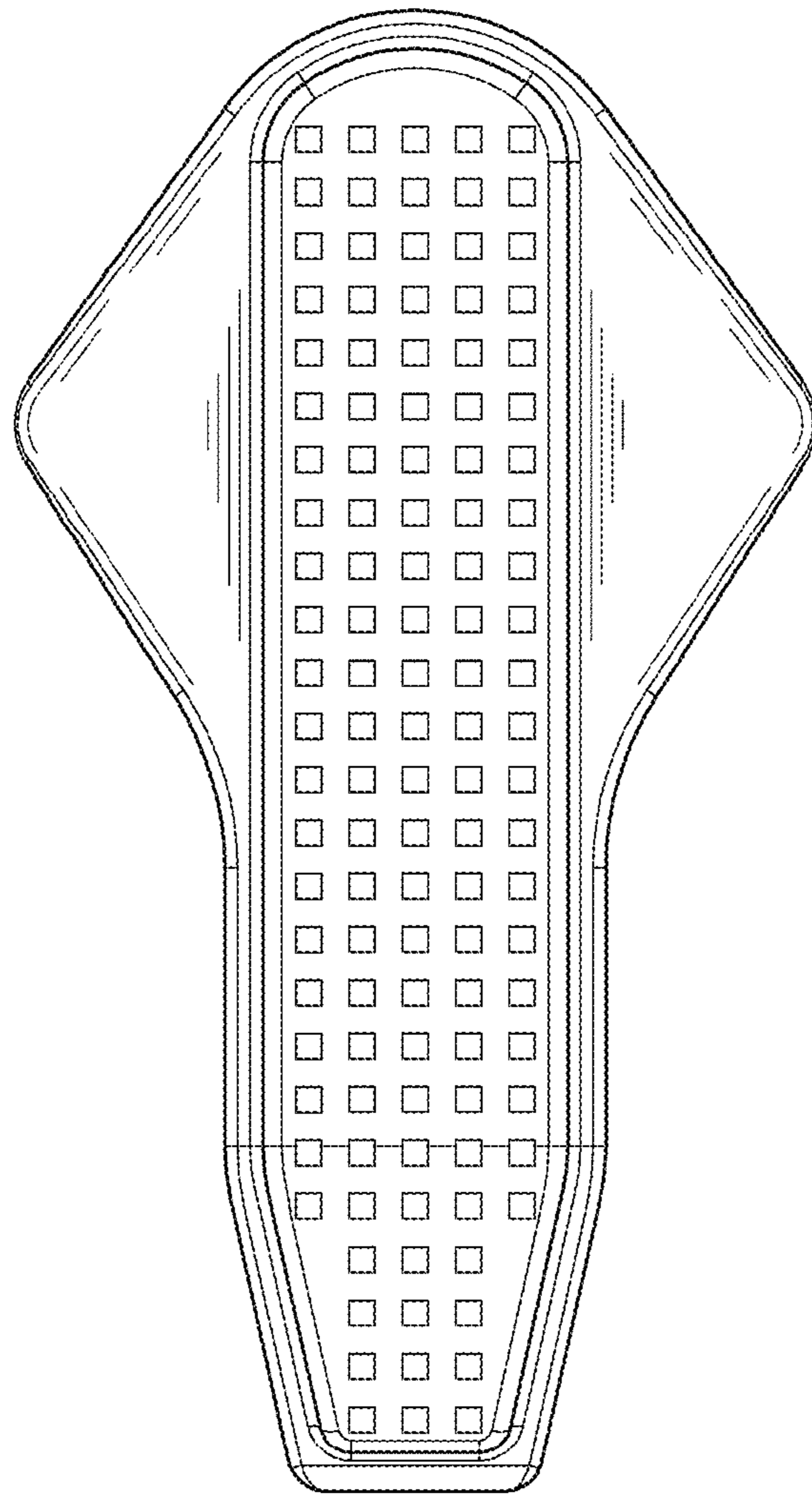


FIG. 4

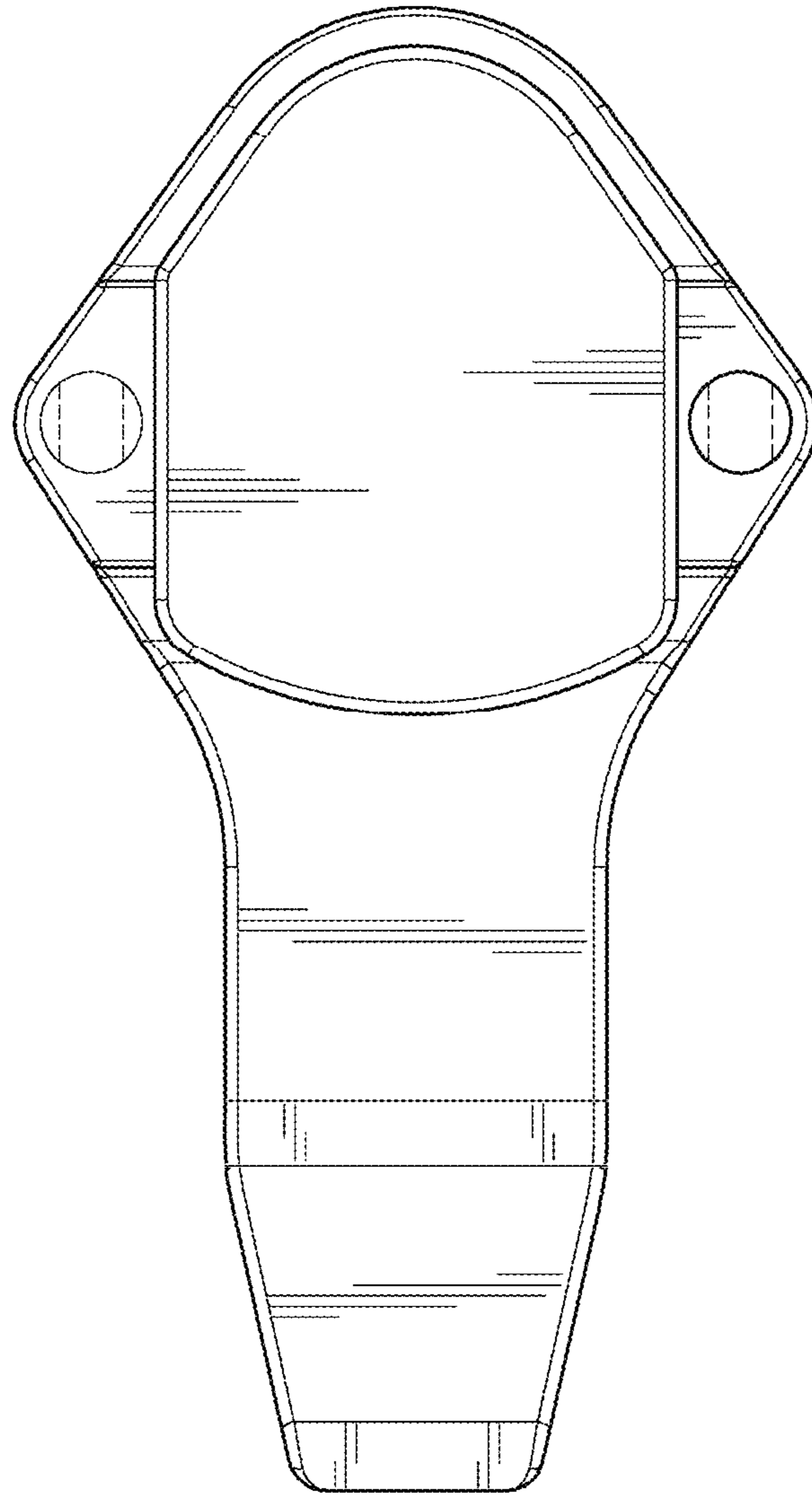


FIG. 5

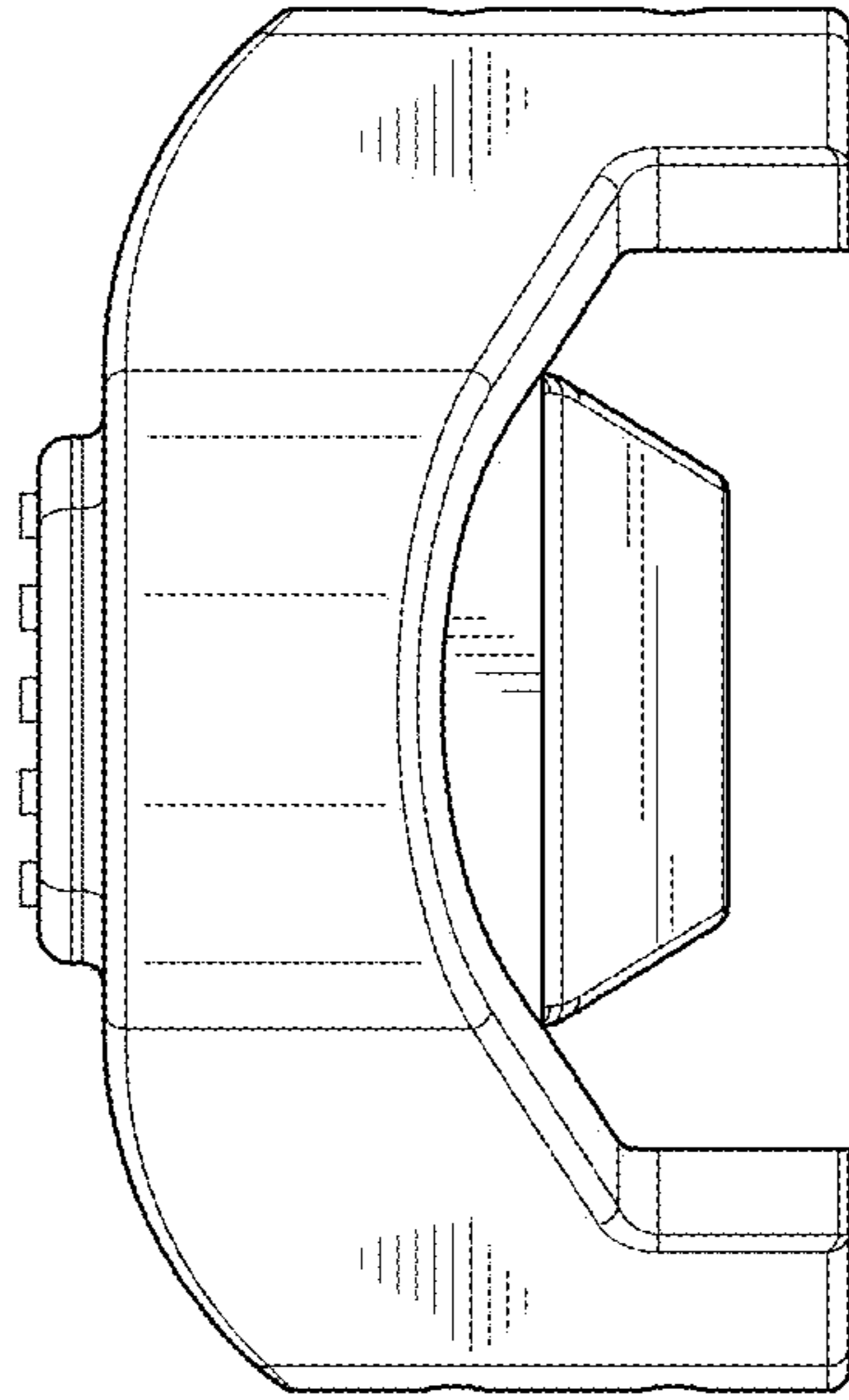


FIG. 6

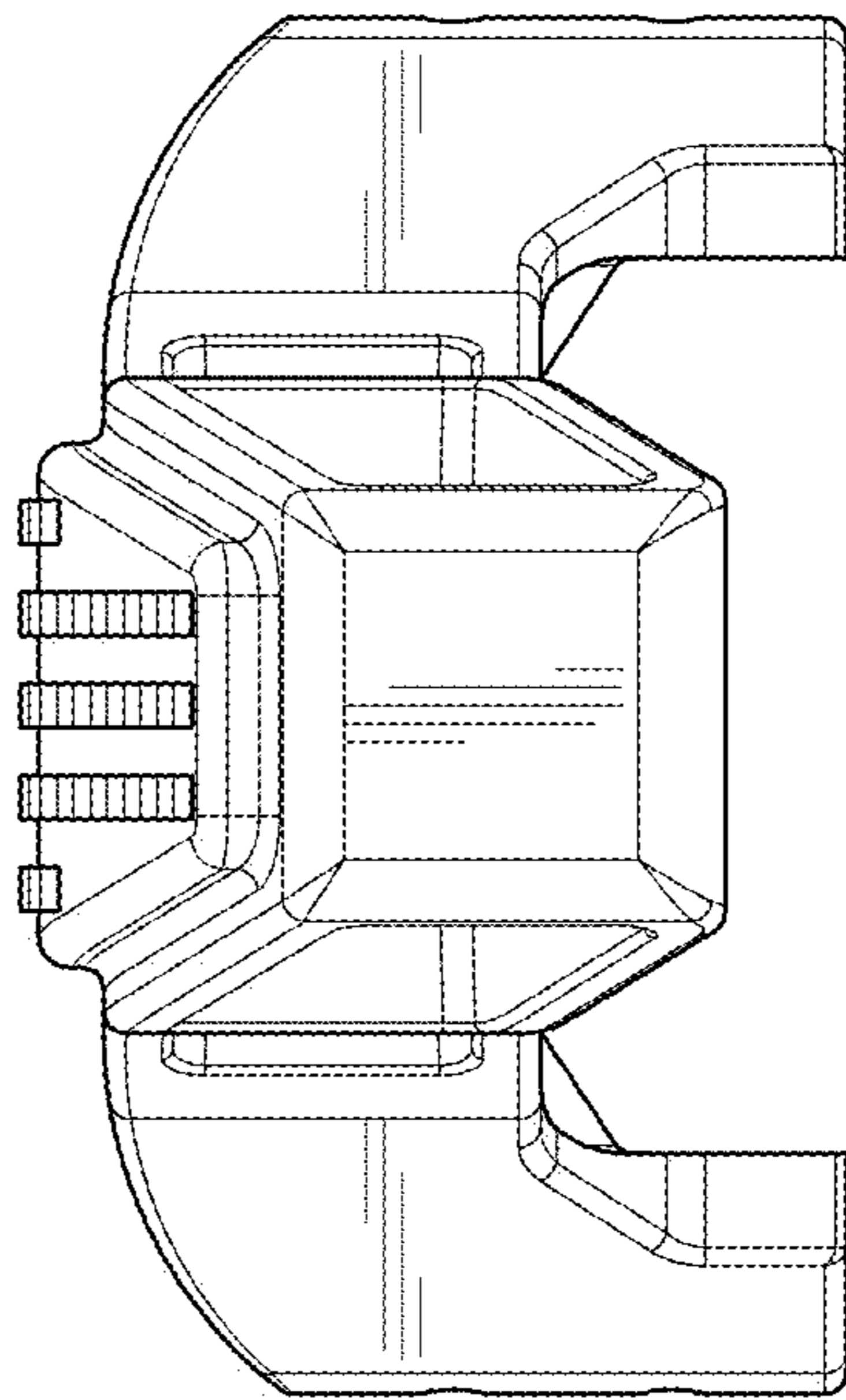


FIG. 7

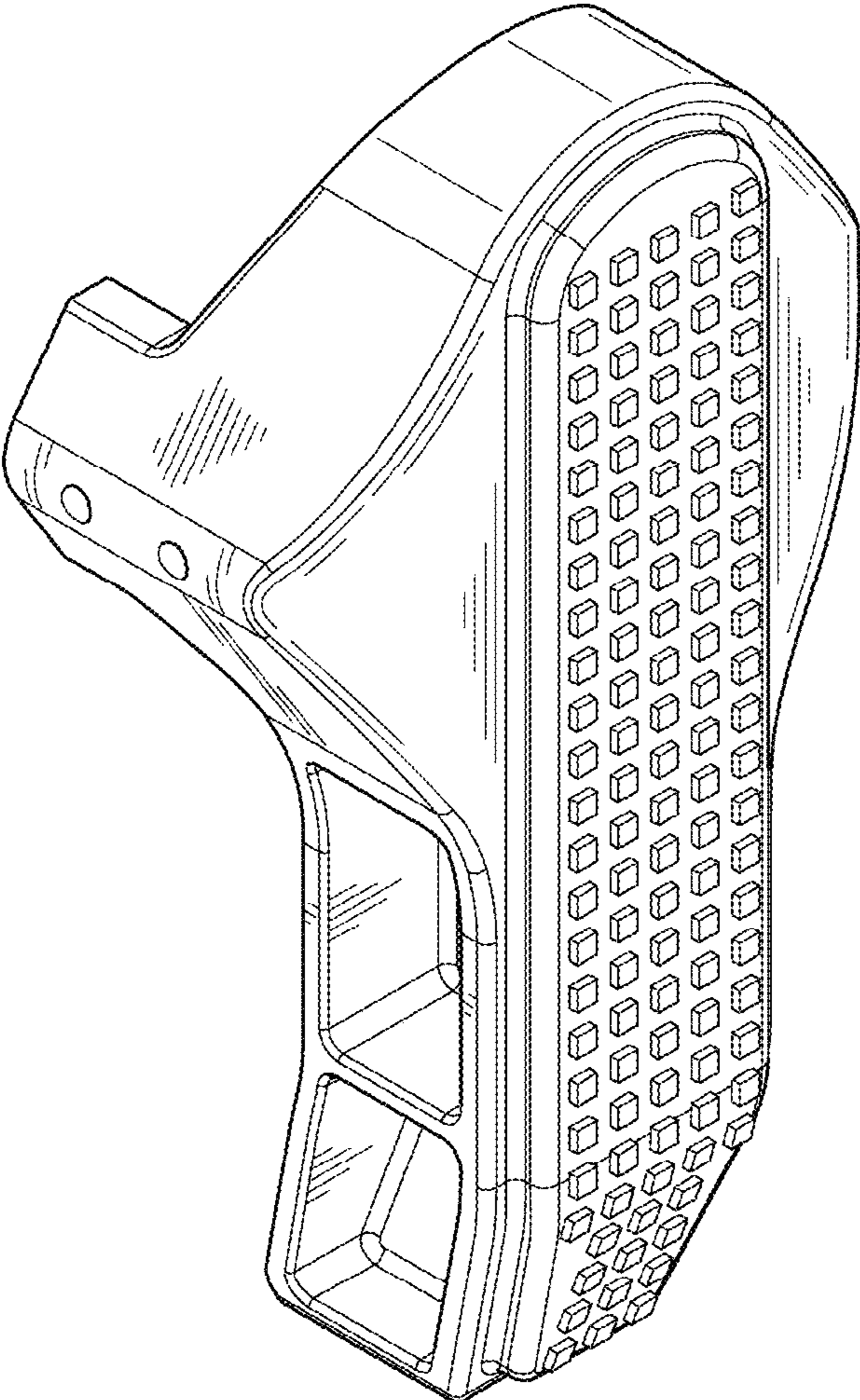


FIG. 8