



US00D927633S

(12) **United States Design Patent**
Li

(10) **Patent No.:** **US D927,633 S**

(45) **Date of Patent:** **** Aug. 10, 2021**

(54) **GUN SIGHT TOOL**

(71) Applicant: **Guangzhou Shengye Electronic Commerce Co., Ltd.**, Guangzhou (CN)

(72) Inventor: **Huicai Li**, Guangzhou (CN)

(73) Assignee: **Guangzhou Shengye Electronic Commerce Co., Ltd.**, Guangzhou (CN)

(**) Term: **15 Years**

(21) Appl. No.: **29/776,944**

(22) Filed: **Apr. 1, 2021**

(51) **LOC (13) Cl.** **22-01**

(52) **U.S. Cl.**
USPC **D22/108**

(58) **Field of Classification Search**
USPC D22/108; D8/14-16, 51, 71-72, 80, 83, D8/88, 89
CPC F41G 1/545; F41G 1/54
See application file for complete search history.

(56) **References Cited**

U.S. PATENT DOCUMENTS

D622,807 S 8/2010 Stone
D829,294 S 9/2018 Cheng et al.

2013/0276318 A1* 10/2013 Schmidt F41G 1/545
33/645
2014/0295380 A1* 10/2014 Amis F41G 3/323
434/21
2017/0003103 A1* 1/2017 Moore F41G 1/467
2018/0080738 A1* 3/2018 Patton F41G 11/003
2019/0011225 A1* 1/2019 Sun F41G 1/545
2020/0271416 A1* 8/2020 Knuppel, Jr. F41G 1/545

* cited by examiner

Primary Examiner — Michael A. Pratt

(74) *Attorney, Agent, or Firm* — ScienBiziP, P.C.

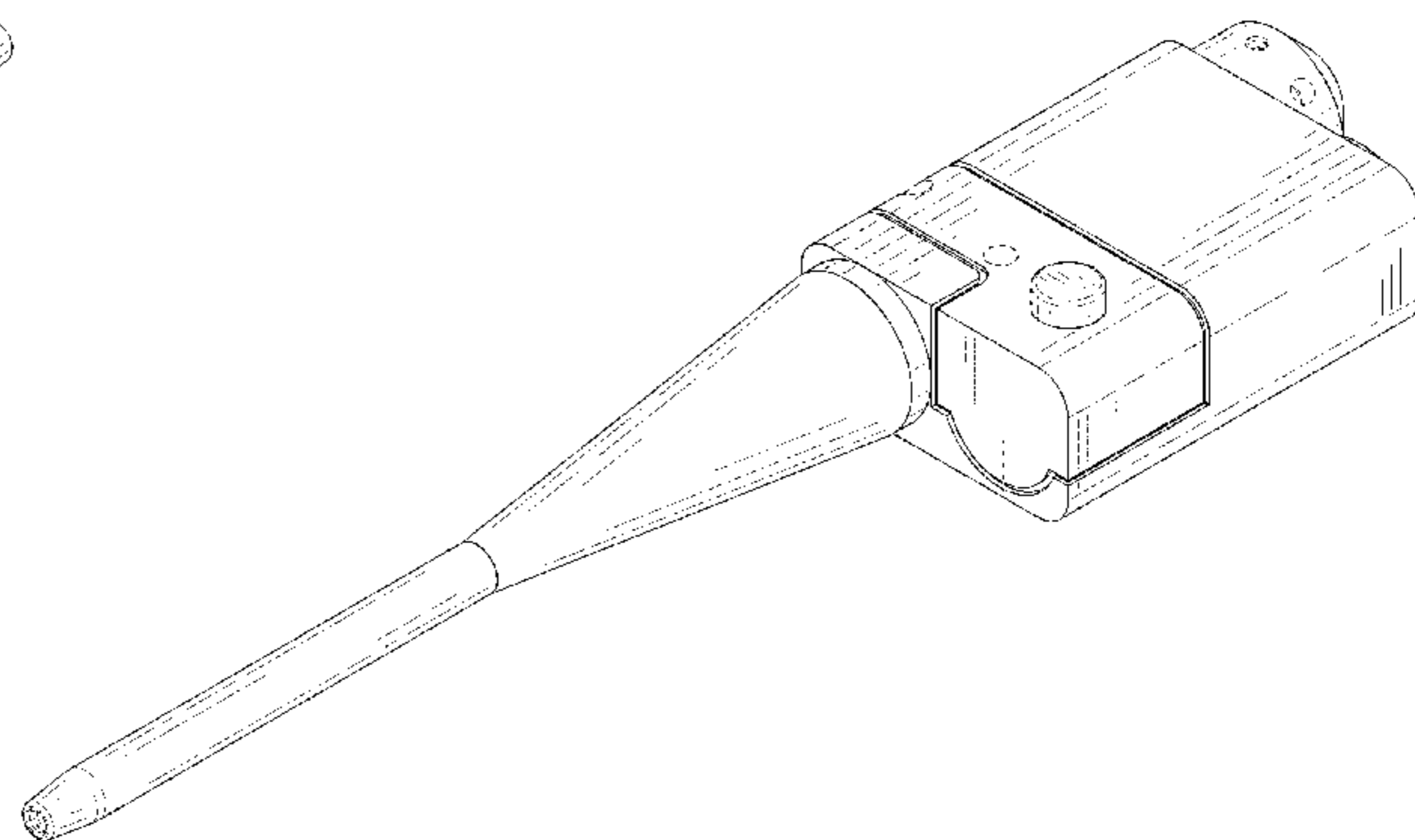
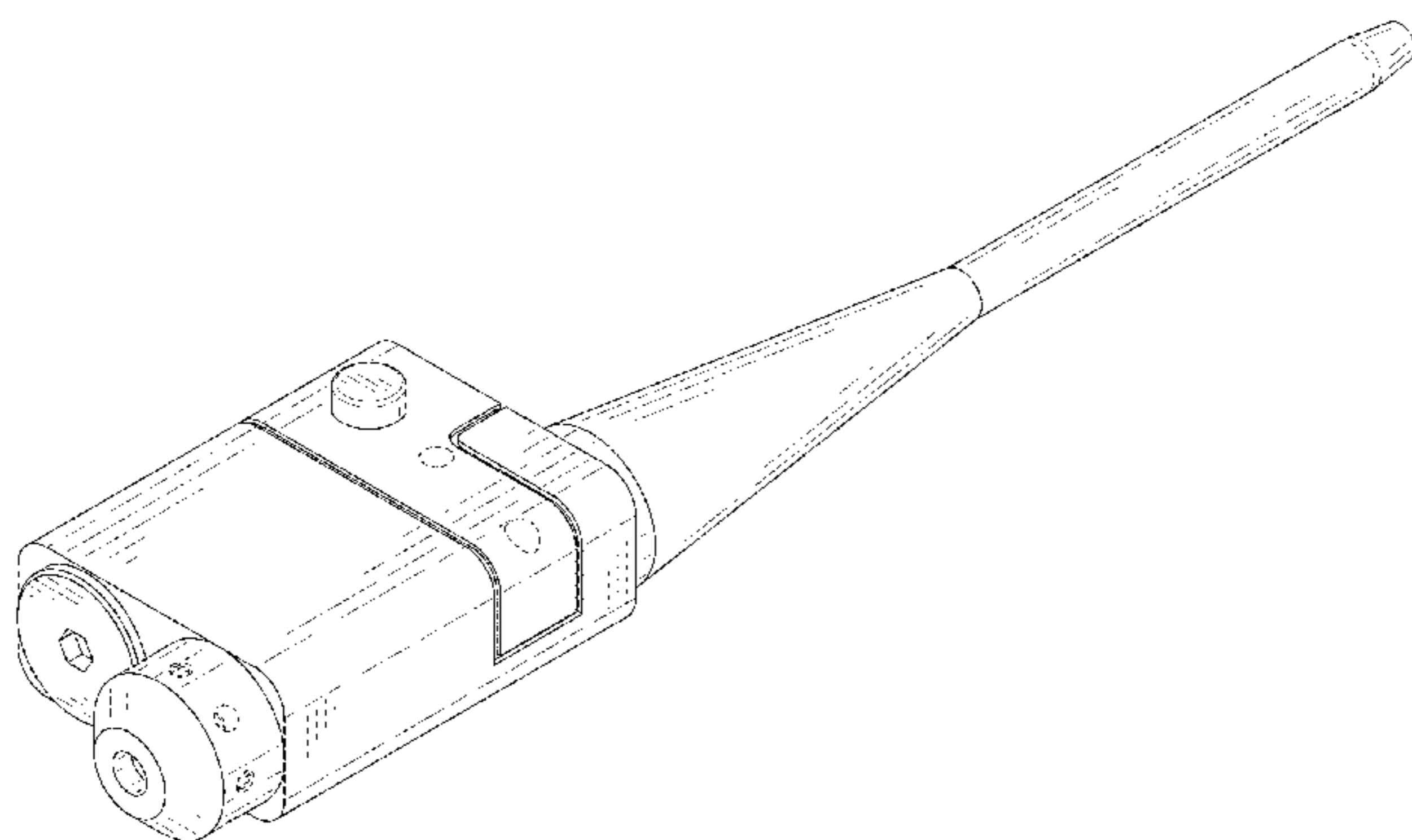
(57) **CLAIM**

The ornamental design for a gun sight tool, as shown and described.

DESCRIPTION

FIG. 1 is a front, left, and top perspective view of a gun sight tool, showing my design.
FIG. 2 is a rear, left, and bottom perspective view thereof.
FIG. 3 is a front elevation view thereof.
FIG. 4 is a rear elevation view thereof.
FIG. 5 is a bottom plan view thereof.
FIG. 6 is a top plan view thereof.
FIG. 7 is a left side elevation view thereof; and,
FIG. 8 is a right side elevation view thereof.

1 Claim, 8 Drawing Sheets



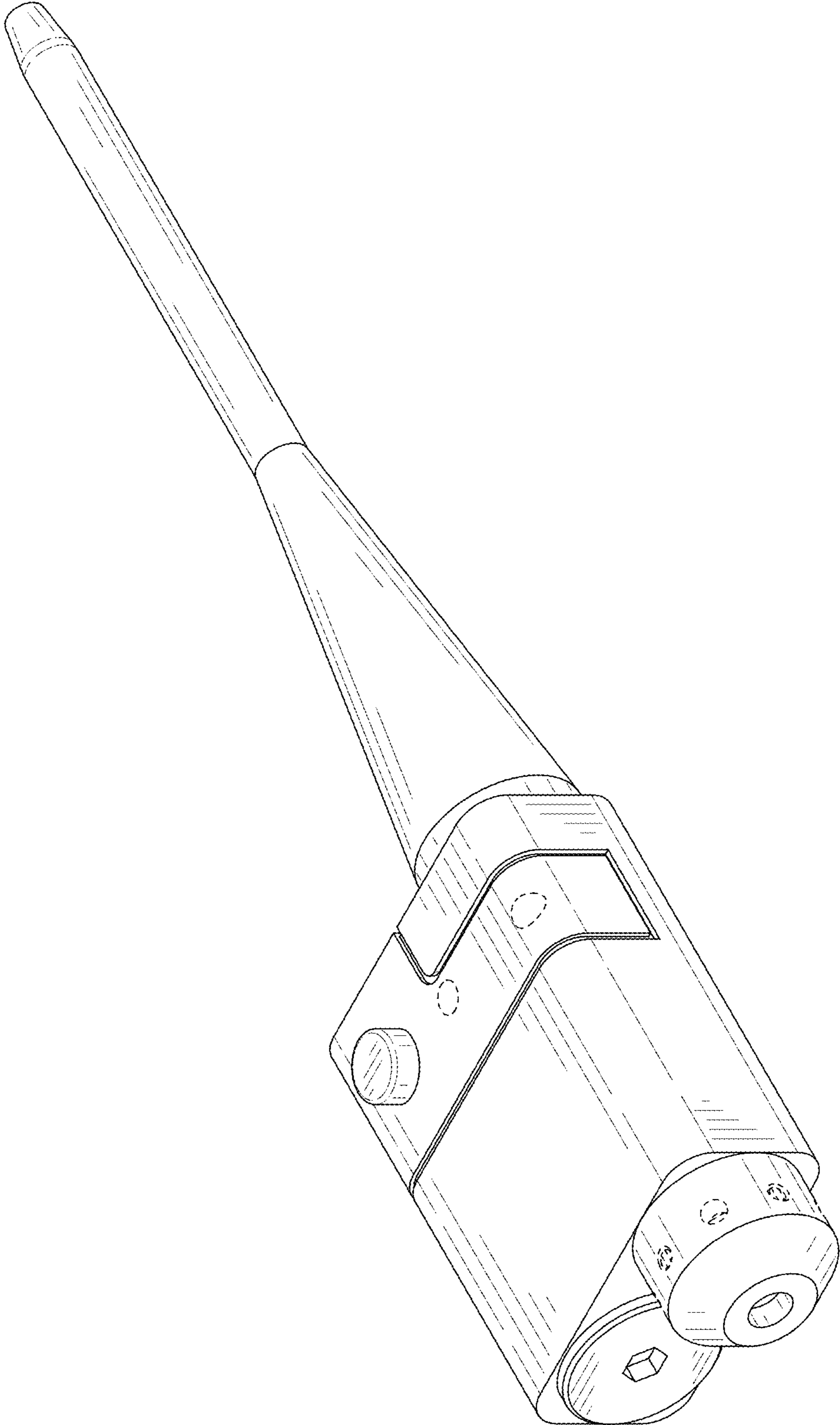


FIG. 1

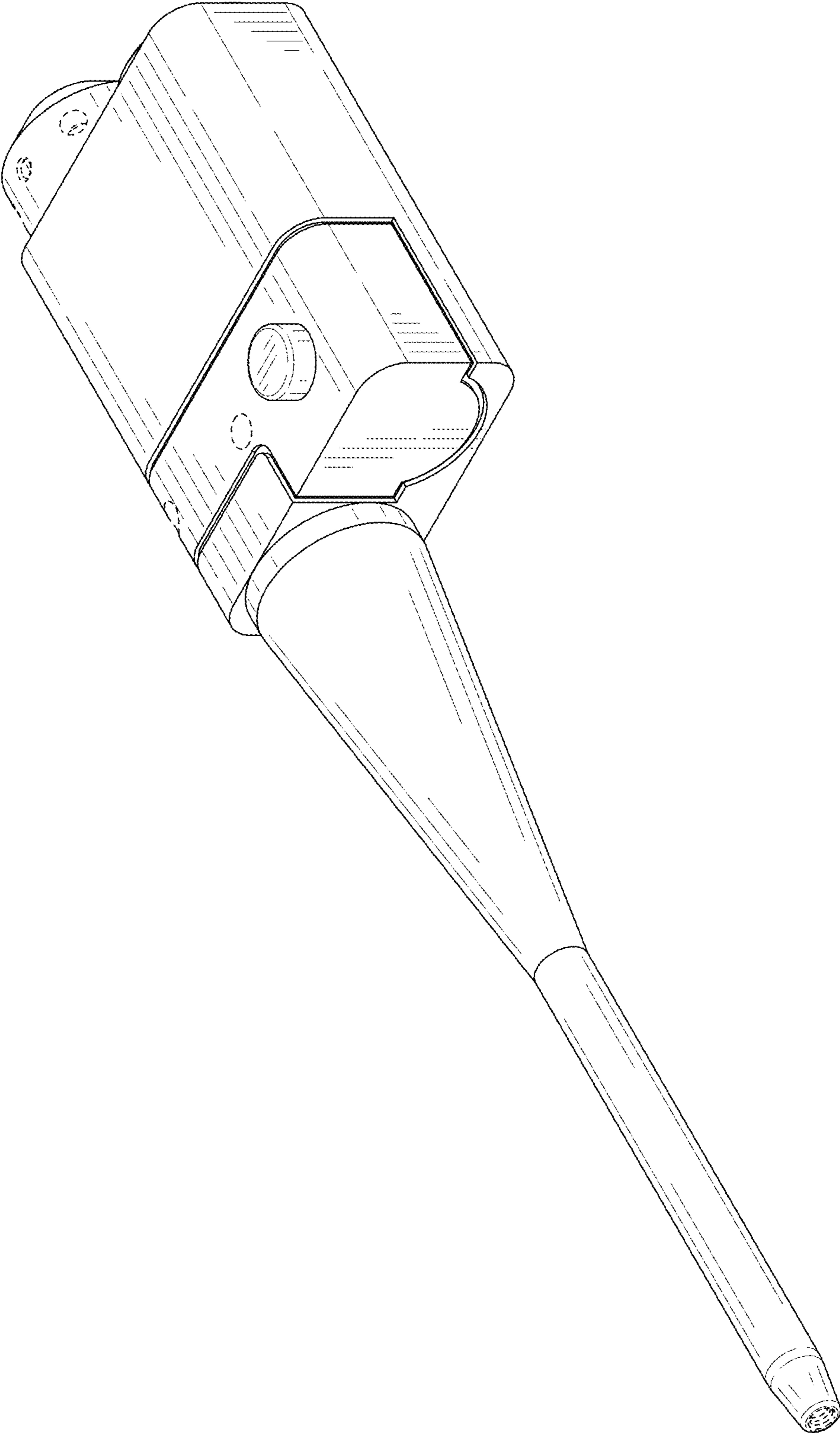


FIG. 2

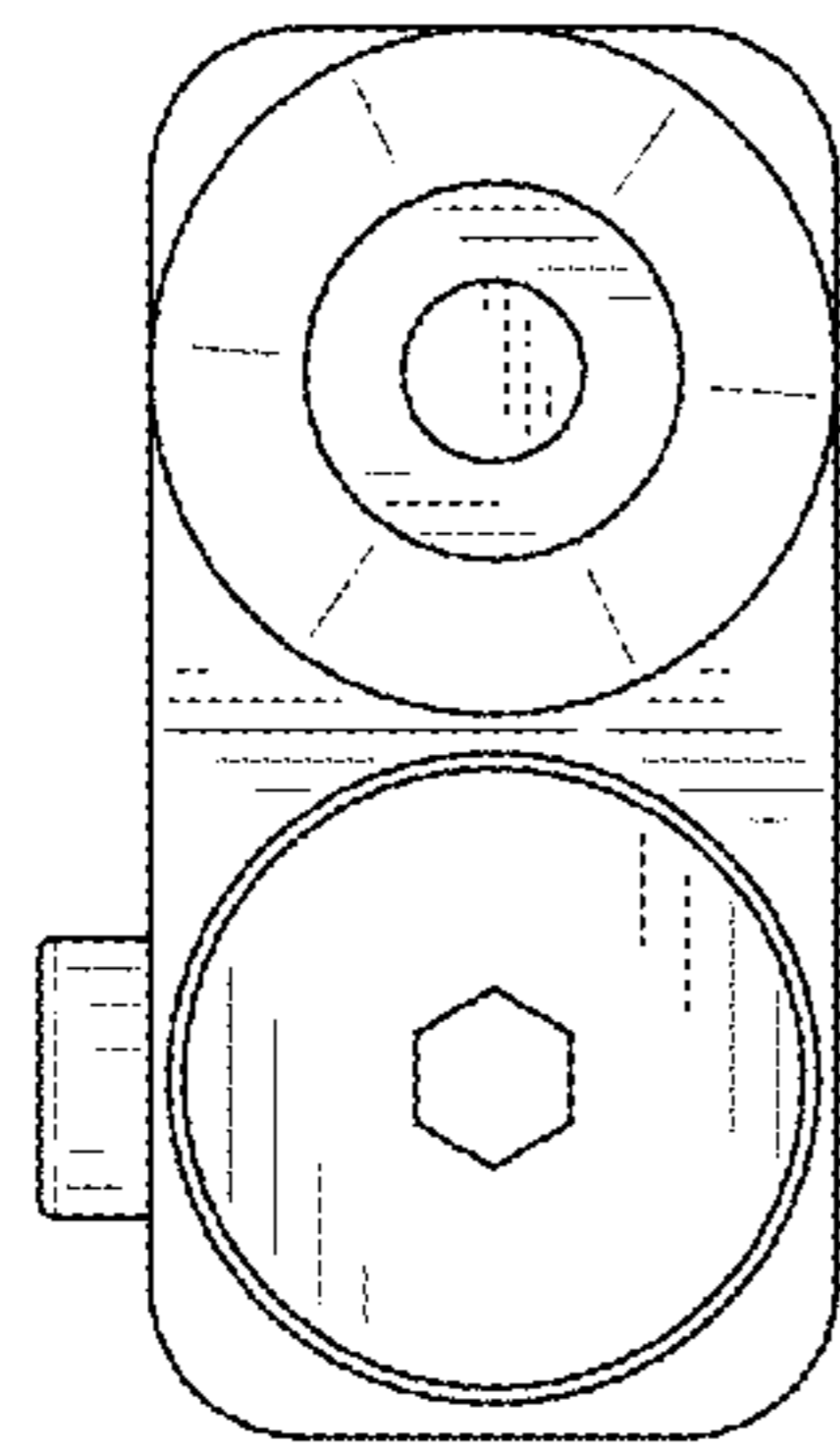


FIG. 3

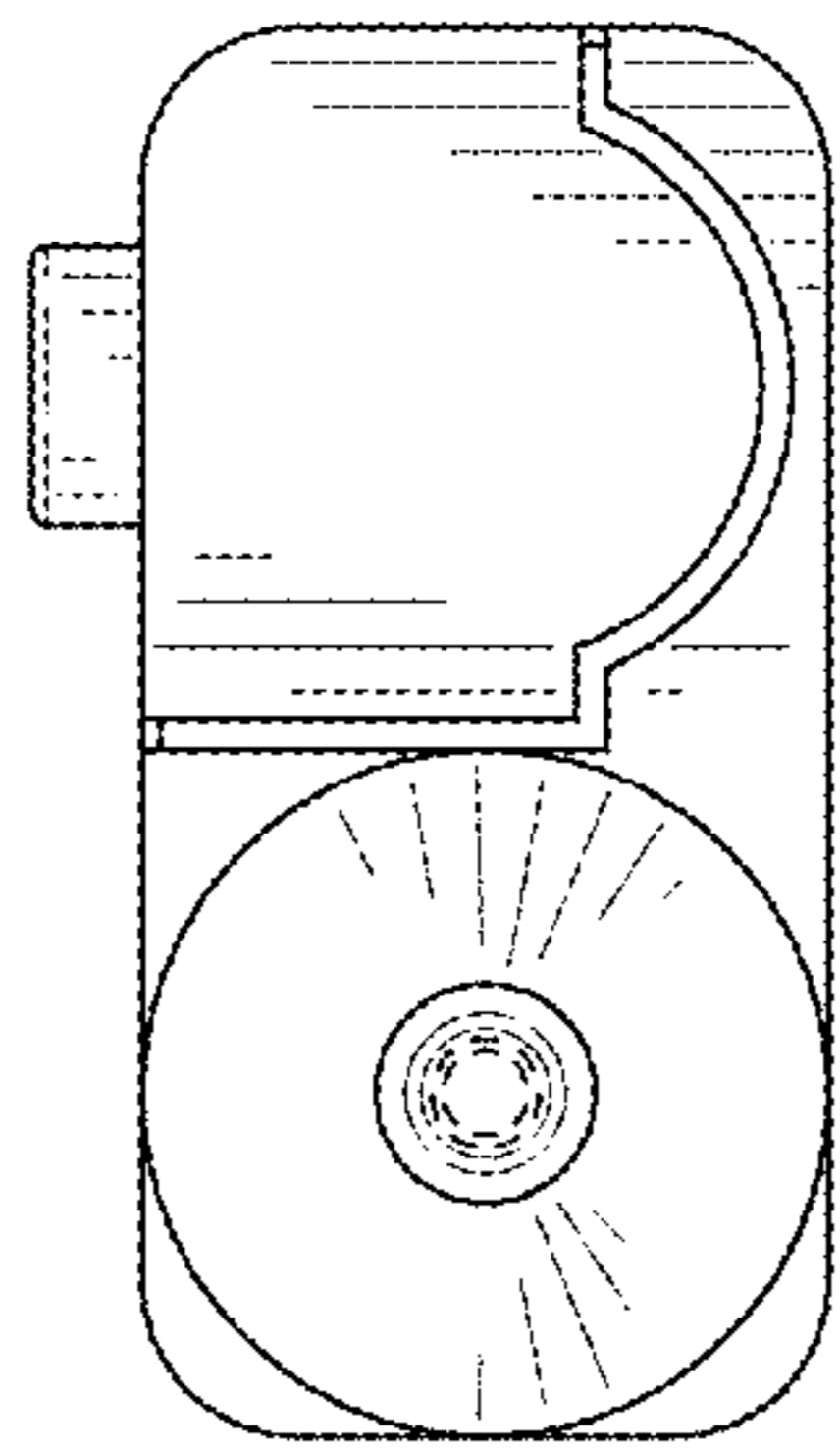


FIG. 4

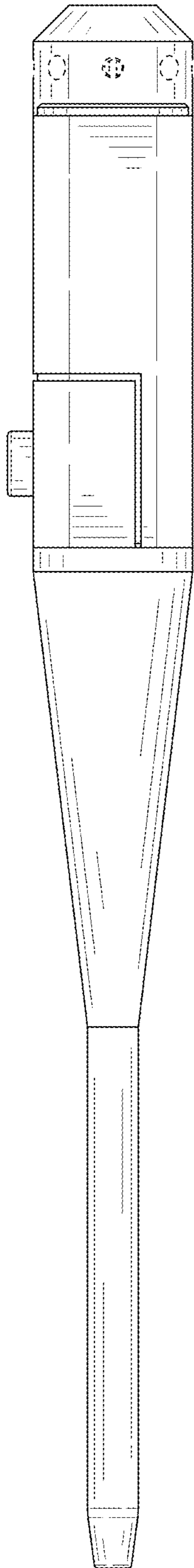


FIG. 5

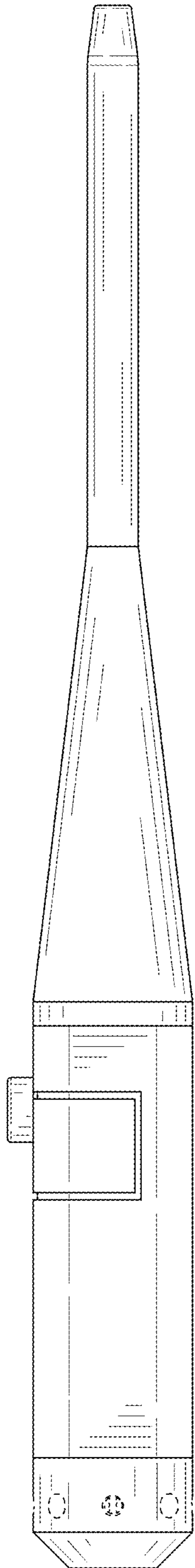


FIG. 6

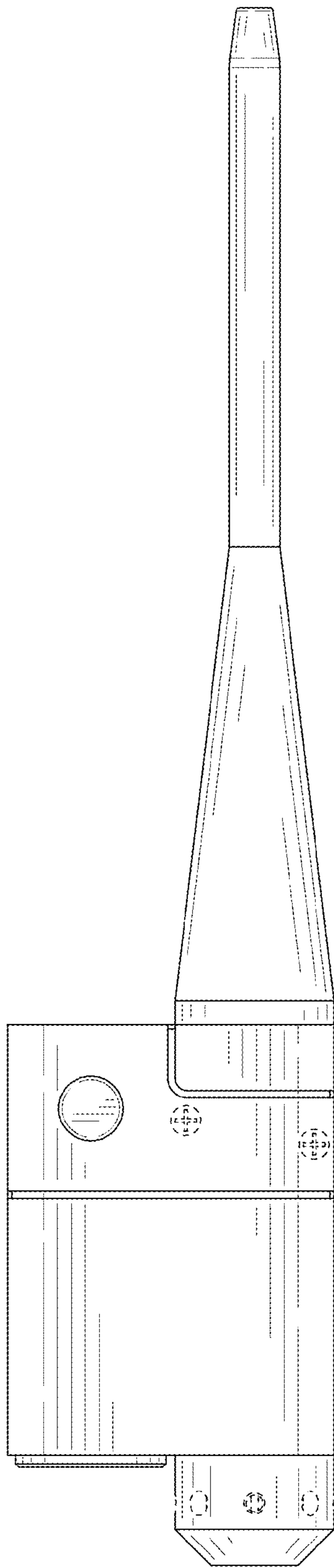


FIG. 7

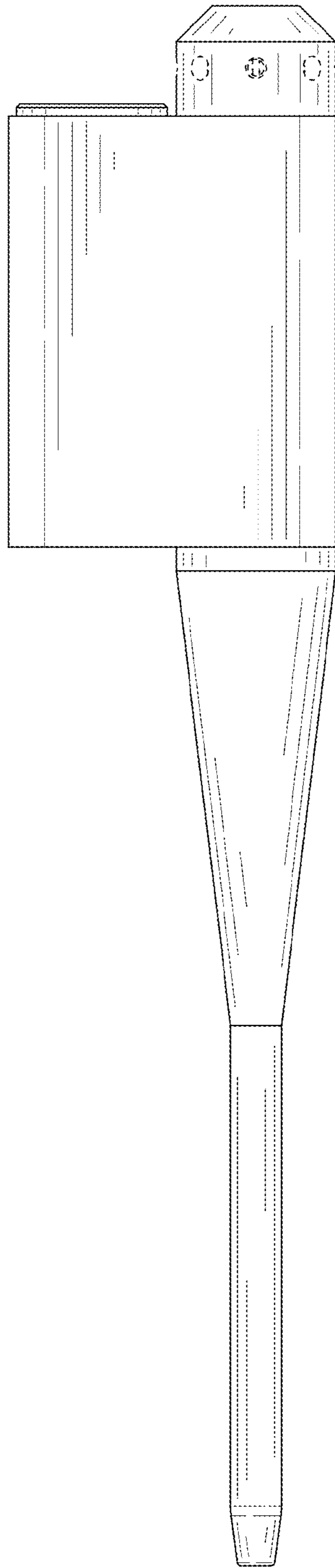


FIG. 8