



US00D927632S

(12) **United States Design Patent**  
**Li**

(10) **Patent No.:** **US D927,632 S**

(45) **Date of Patent:** **\*\* Aug. 10, 2021**

(54) **GUN SIGHT TOOL**

(71) Applicant: **Guangzhou Shengye Electronic Commerce Co., Ltd.**, Guangzhou (CN)

(72) Inventor: **Huicai Li**, Guangzhou (CN)

(73) Assignee: **Guangzhou Shengye Electronic Commerce Co., Ltd.**, Guangzhou (CN)

(\*\*) Term: **15 Years**

(21) Appl. No.: **29/776,942**

(22) Filed: **Apr. 1, 2021**

(51) **LOC (13) Cl.** ..... **22-01**

(52) **U.S. Cl.**  
USPC ..... **D22/108**

(58) **Field of Classification Search**  
USPC ..... D22/108; D8/14-16, 51, 71-72, 80, 83, D8/88, 89  
CPC ..... F41G 1/545; F41G 1/54  
See application file for complete search history.

(56) **References Cited**

U.S. PATENT DOCUMENTS

- 4,756,111 A \* 7/1988 Lapier ..... F41G 11/004  
42/128
- D335,805 S 5/1993 Ransom
- 5,222,302 A \* 6/1993 DeBatty ..... F41G 1/54  
42/121
- 5,442,860 A \* 8/1995 Palmer ..... F41G 1/545  
33/286
- 9,593,908 B2 \* 3/2017 Hancosky ..... F41G 1/38

- 9,777,991 B1 \* 10/2017 Guelli ..... F41G 1/383
- 10,458,751 B2 \* 10/2019 Rocque ..... F41G 1/42  
D904,548 S 12/2020 Chen
- 2013/0276318 A1 \* 10/2013 Schmidt ..... F41G 1/545  
33/645
- 2014/0295380 A1 \* 10/2014 Amis ..... F41G 3/323  
434/21
- 2017/0003103 A1 \* 1/2017 Moore ..... F41G 1/467
- 2018/0080738 A1 \* 3/2018 Patton ..... F41G 11/003
- 2019/0011225 A1 \* 1/2019 Sun ..... F41G 1/545
- 2020/0271416 A1 \* 8/2020 Knipple, Jr. .... F41G 1/545

\* cited by examiner

Primary Examiner — Michael A. Pratt

(74) Attorney, Agent, or Firm — ScienBiziP, P.C.

(57) **CLAIM**

The ornamental design for a gun sight tool, as shown and described.

**DESCRIPTION**

FIG. 1 is a front, right, and top perspective view of a gun sight tool, showing my design.

FIG. 2 is a rear, left, and top perspective view thereof.

FIG. 3 is a front elevation view thereof.

FIG. 4 is a rear elevation view thereof.

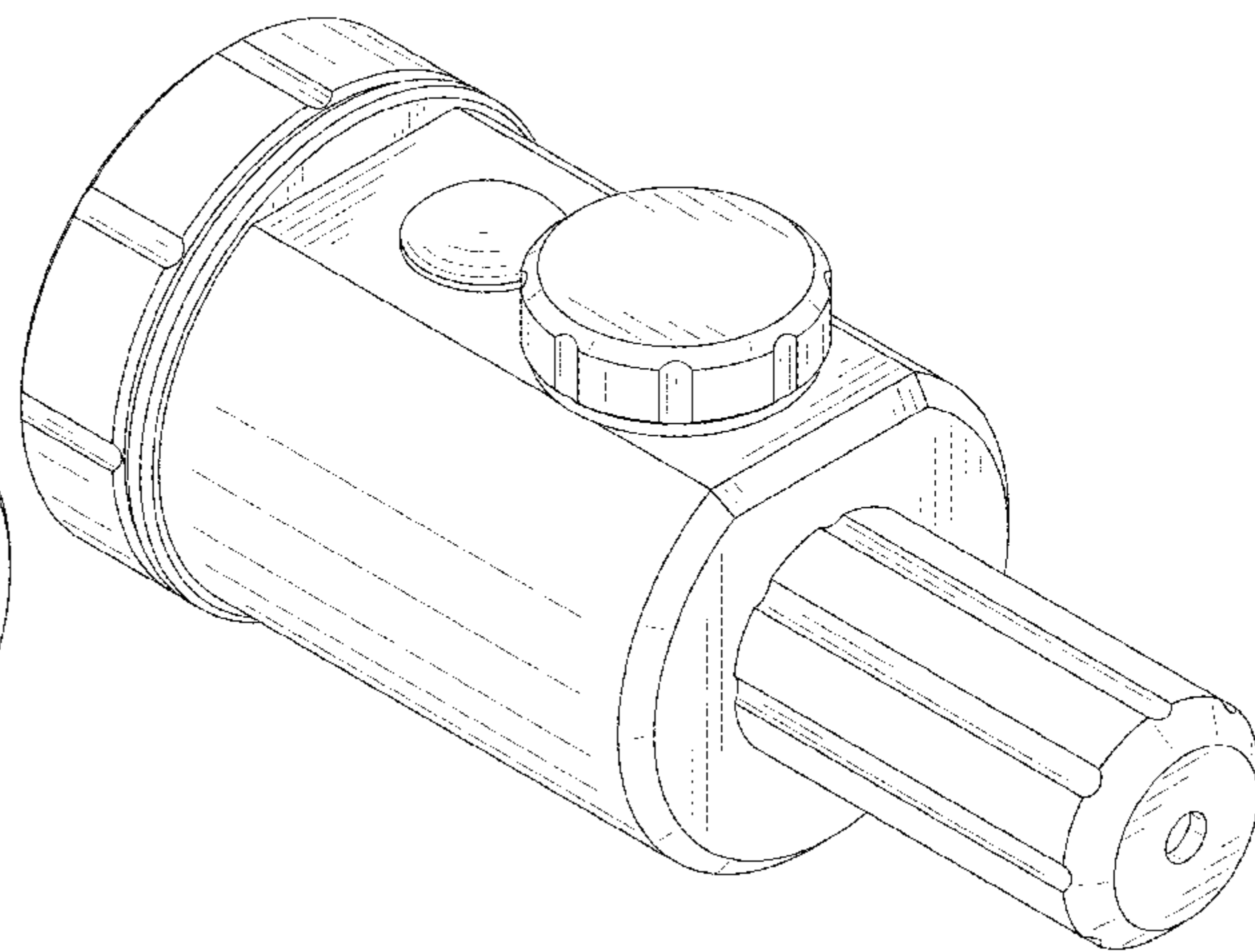
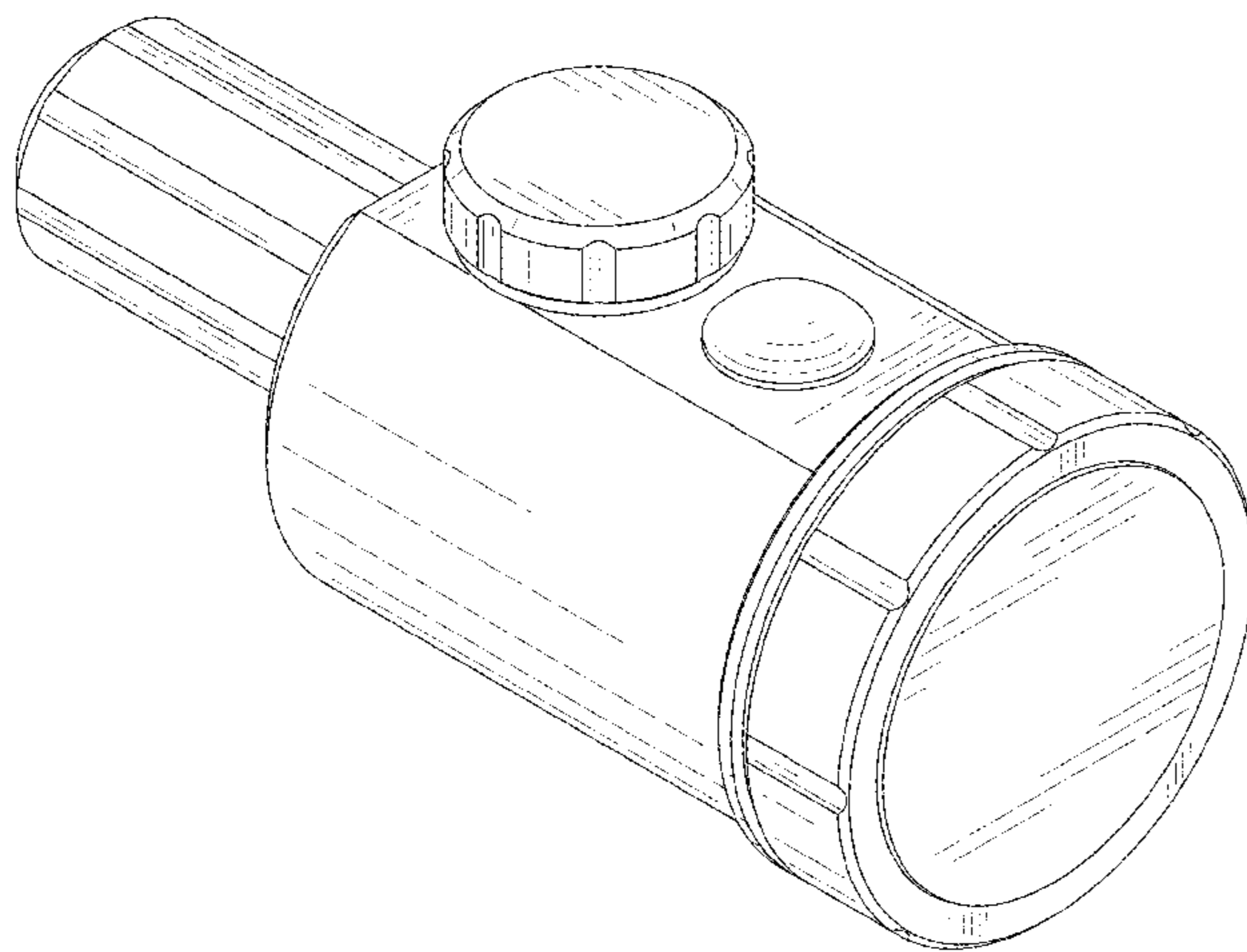
FIG. 5 is a left side elevation view thereof.

FIG. 6 is a right side elevation view thereof.

FIG. 7 is a top plan view thereof; and,

FIG. 8 is a bottom plan view thereof.

**1 Claim, 8 Drawing Sheets**



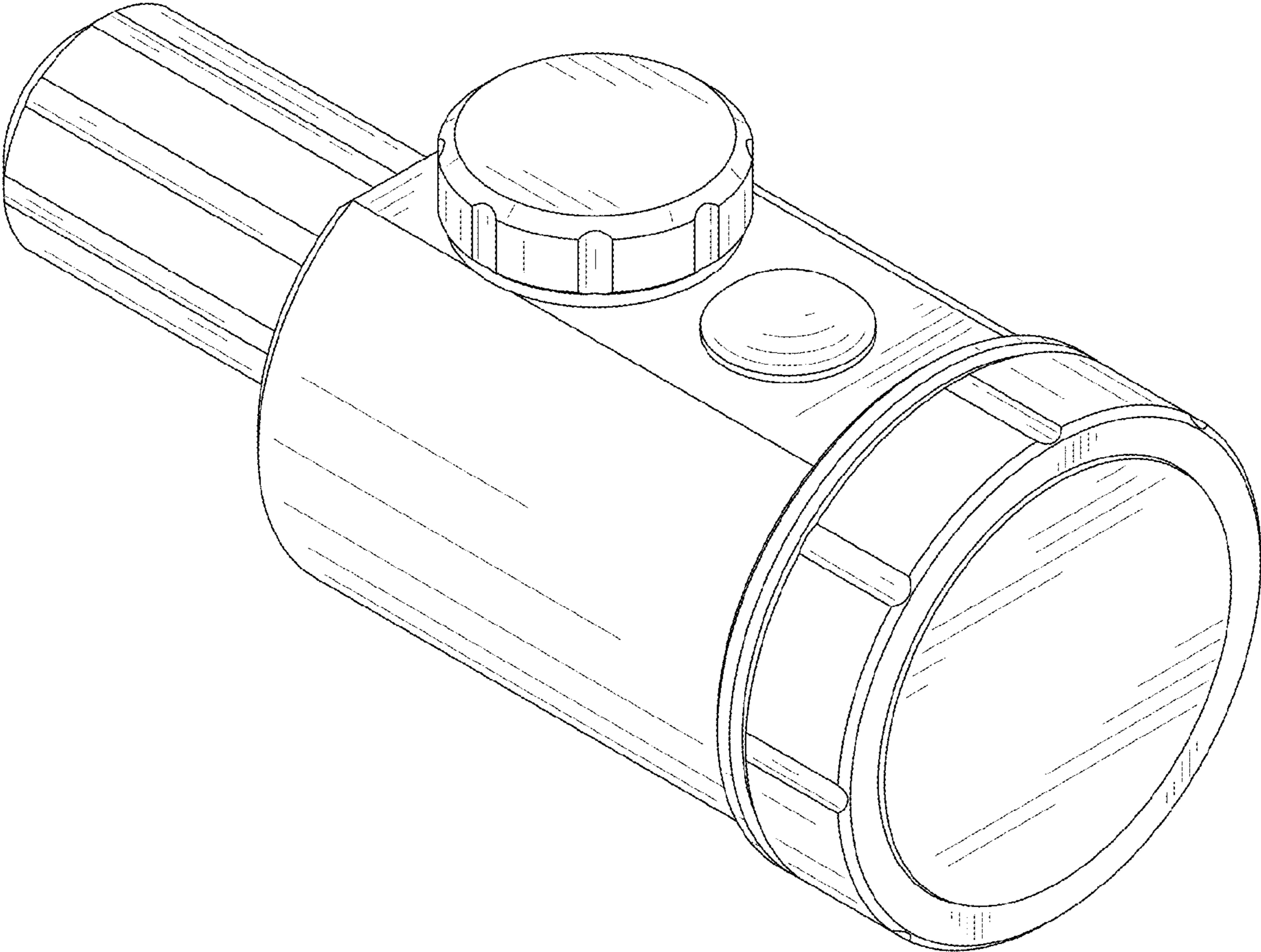


FIG. 1

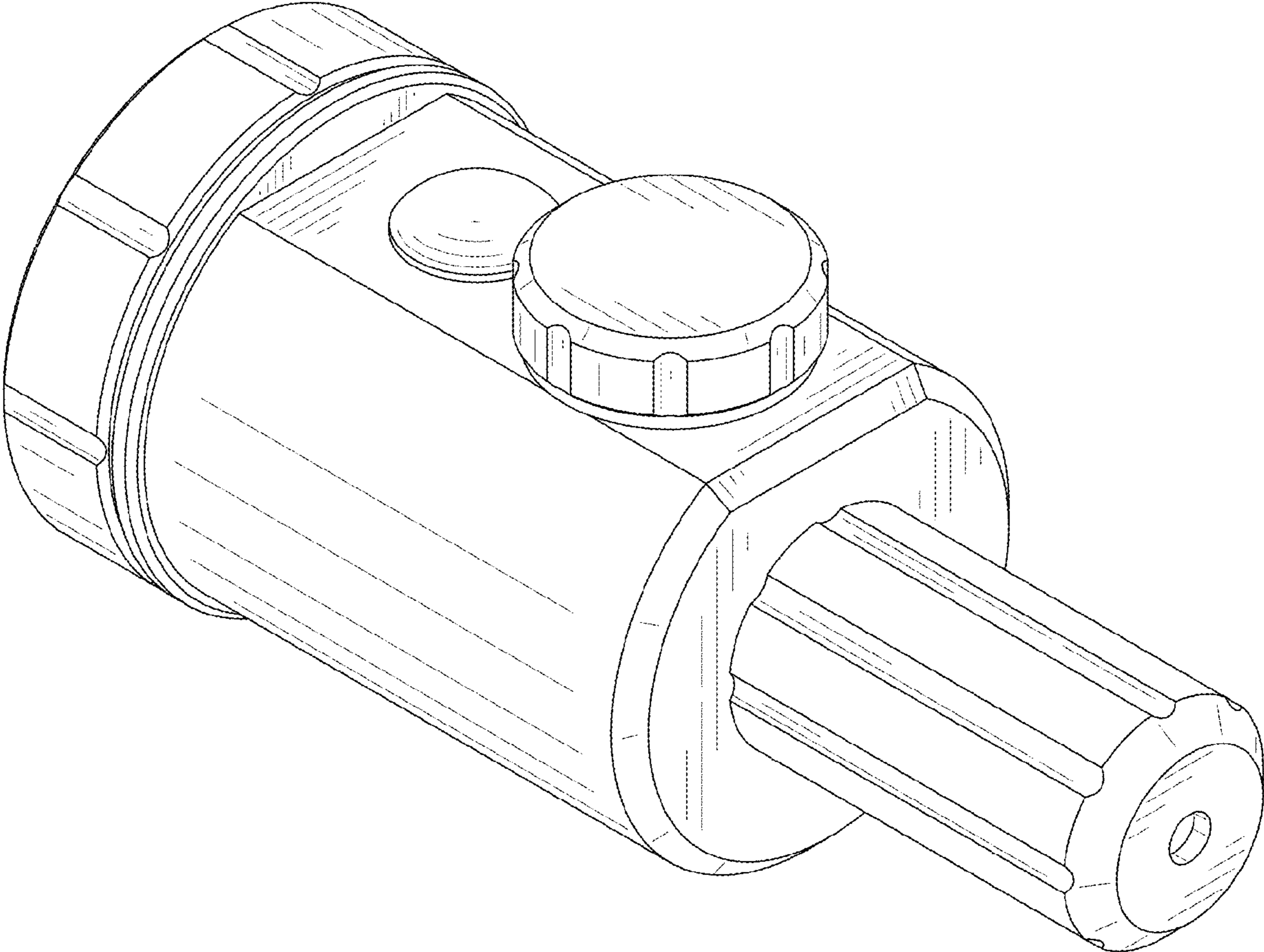


FIG. 2

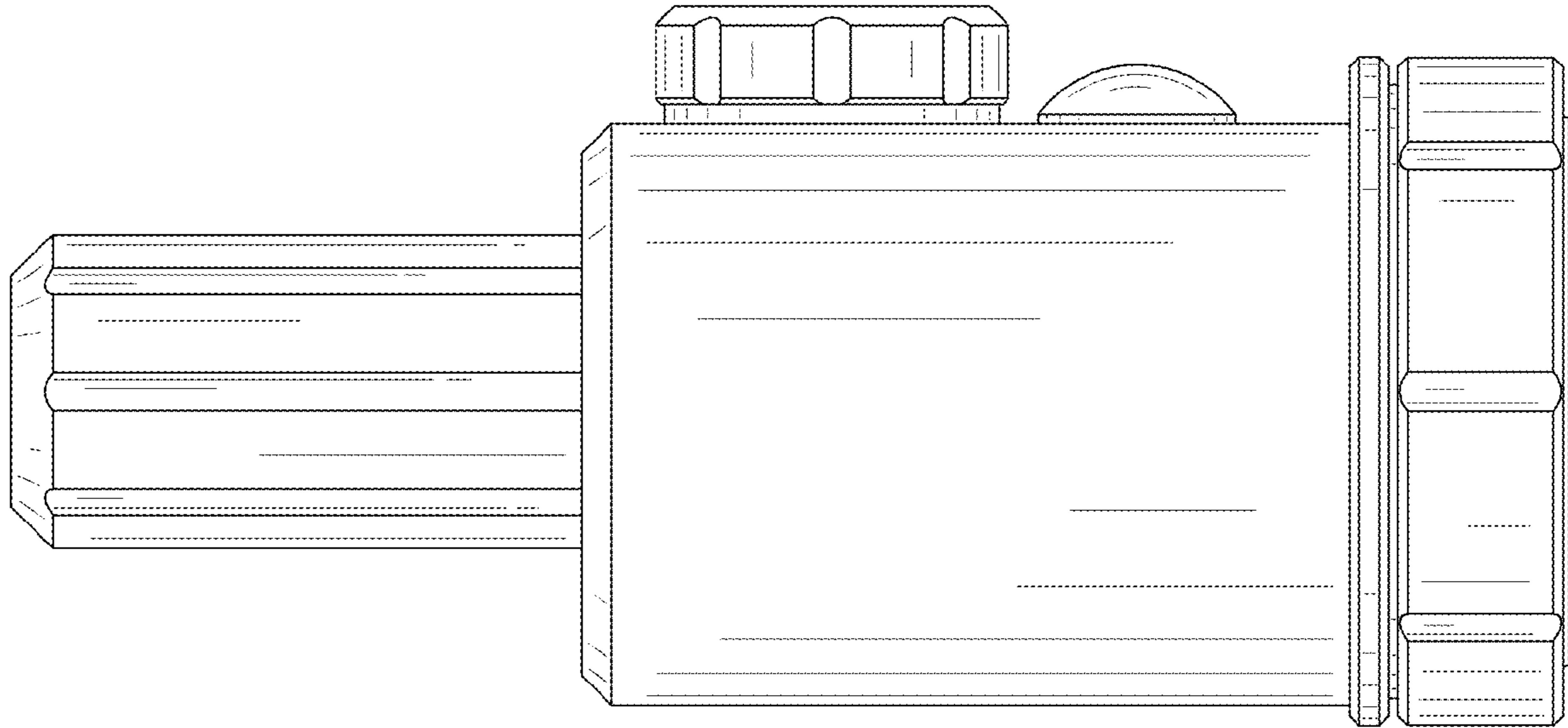


FIG. 3

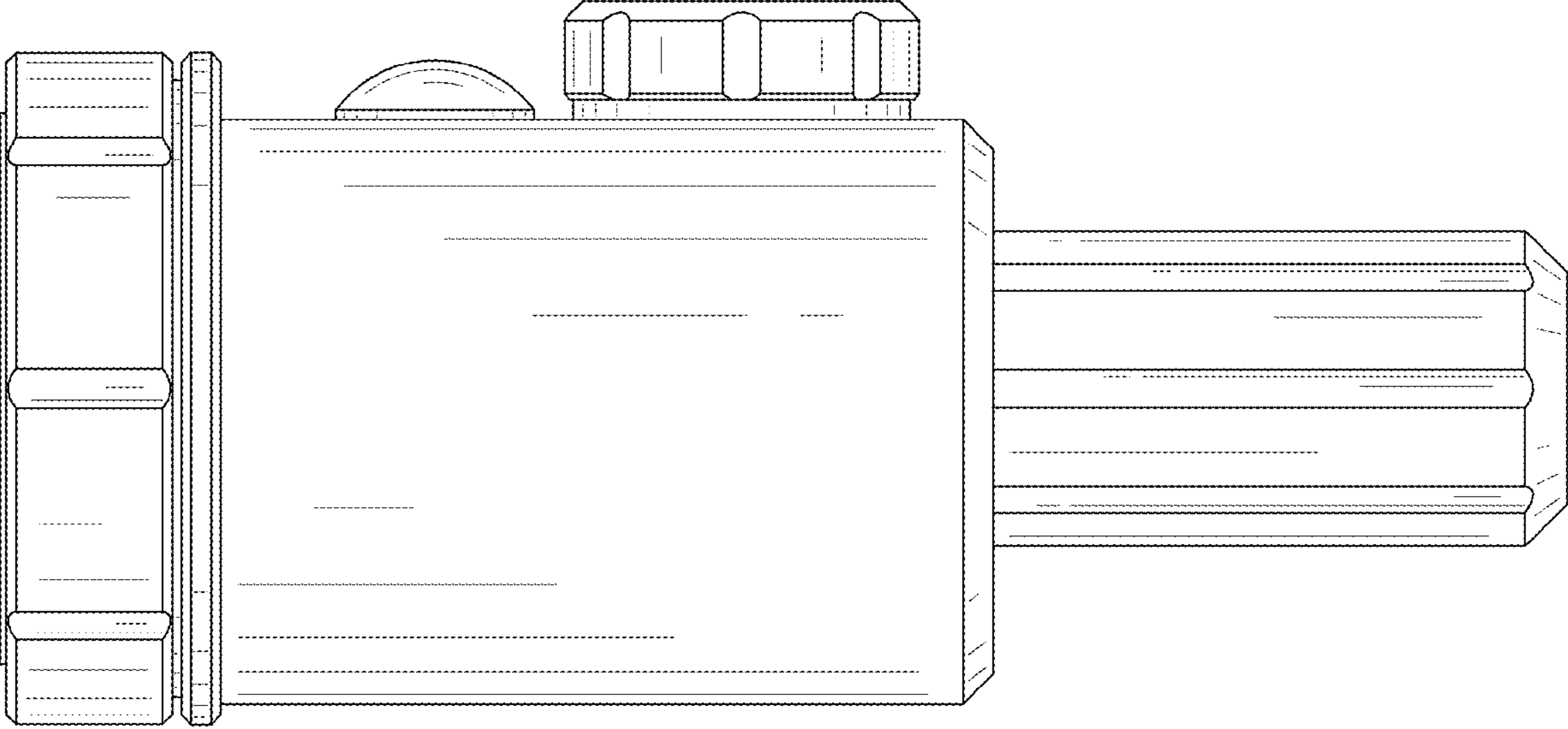


FIG. 4

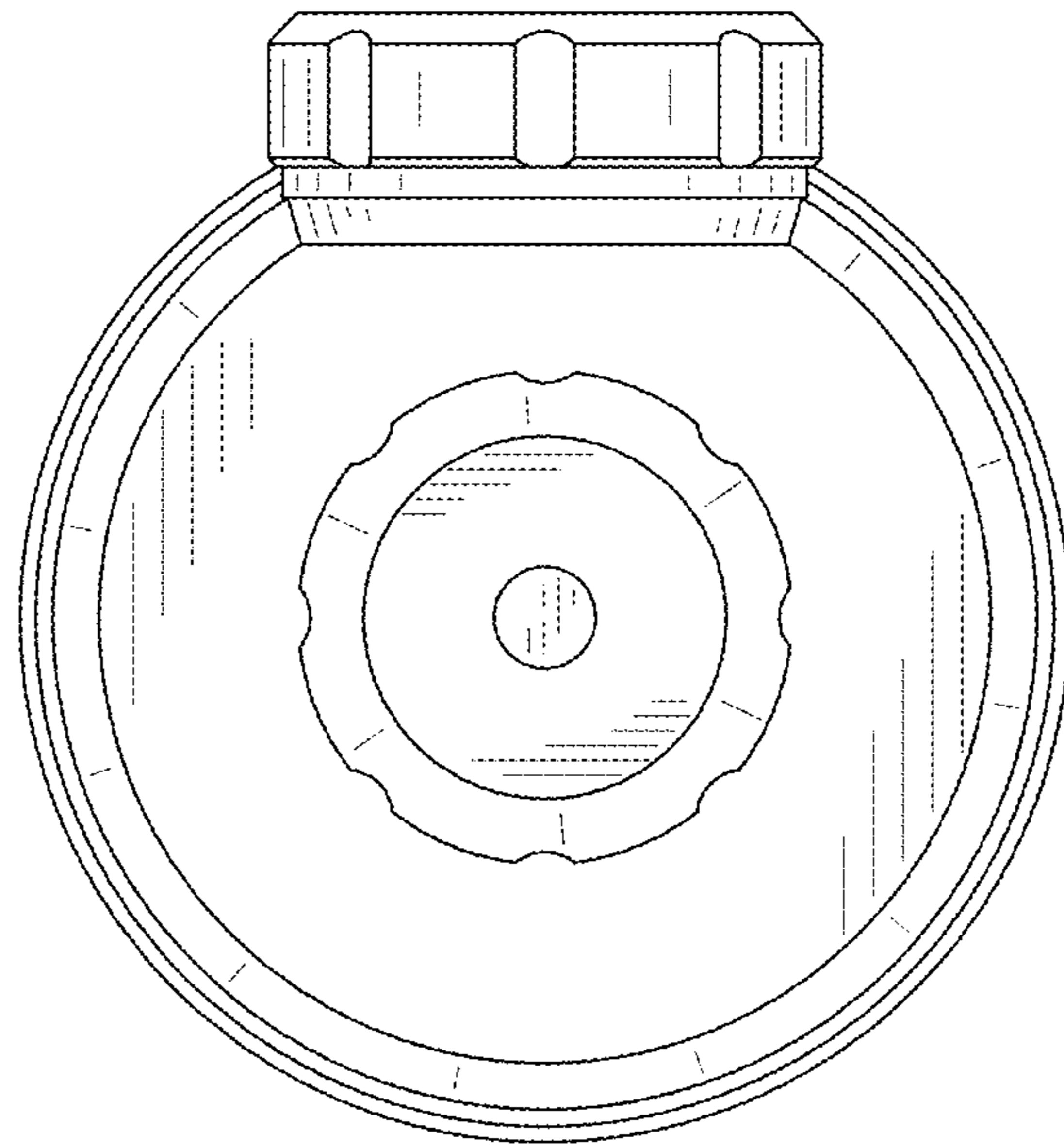


FIG. 5

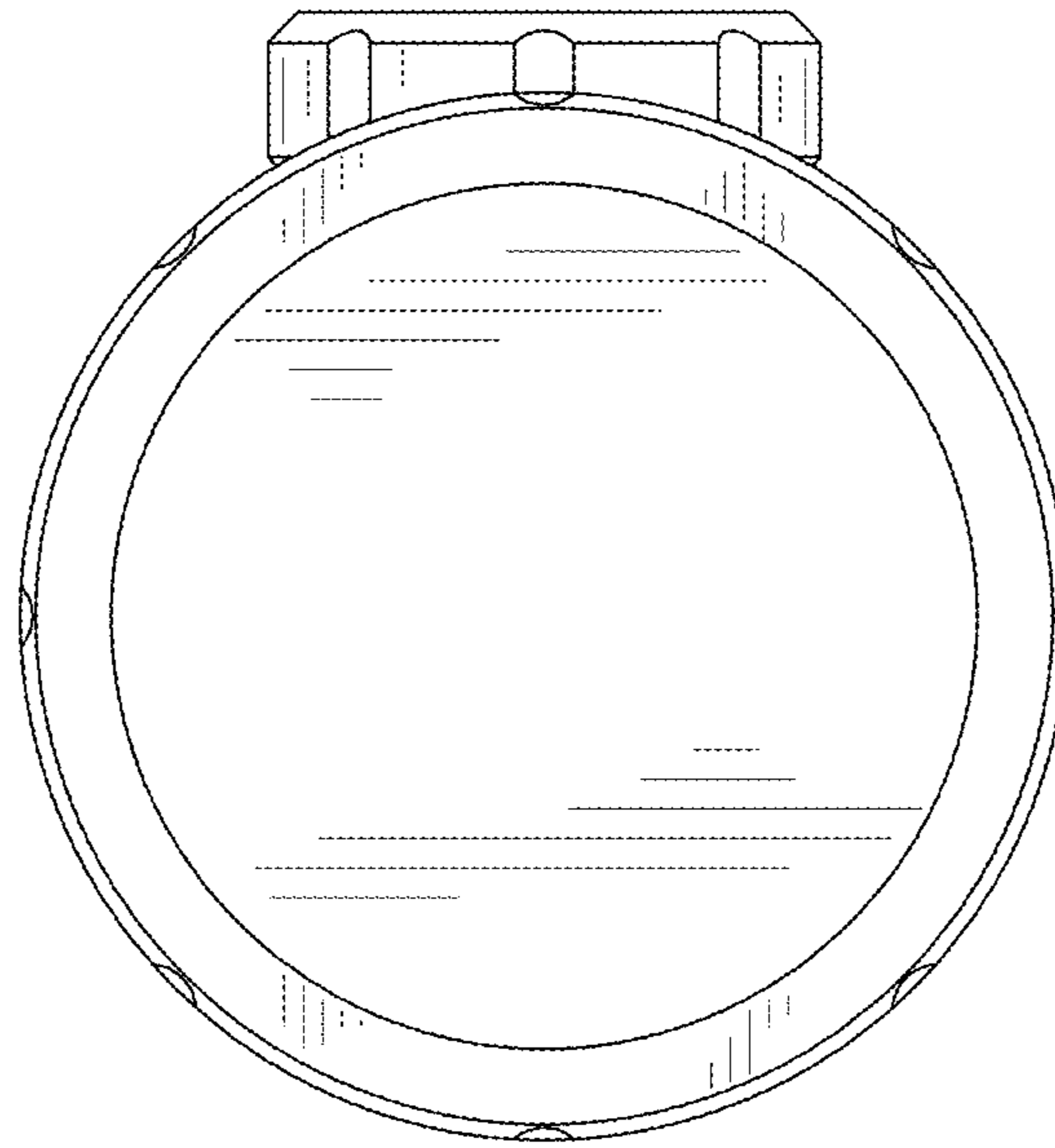


FIG. 6

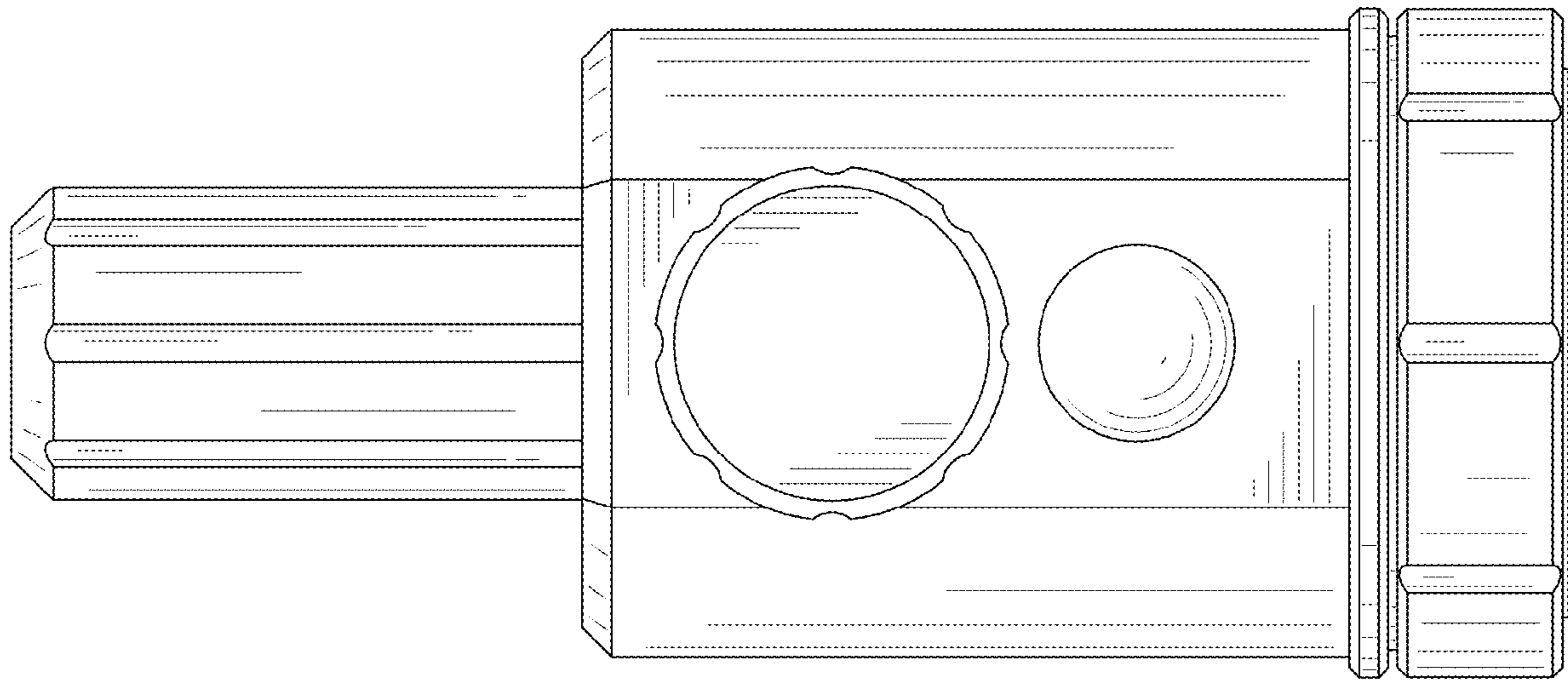


FIG. 7



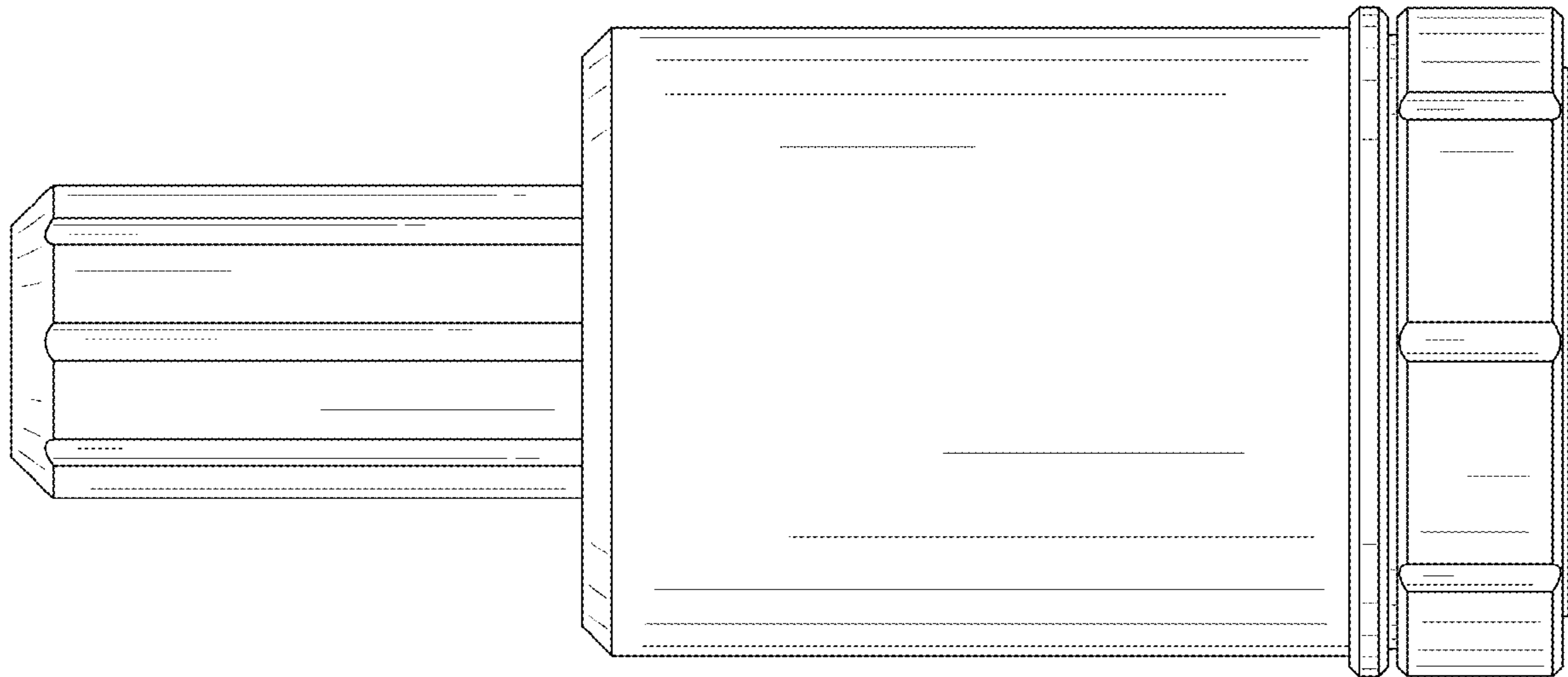


FIG. 8