



US00D927628S

(12) **United States Design Patent** (10) **Patent No.:** **US D927,628 S**  
**Plante et al.** (45) **Date of Patent:** **\*\* Aug. 10, 2021**

- (54) **INFLATABLE SHUTTLE BOAT**
- (71) Applicant: **Indian Industries, Inc.**, Evansville, IN (US)
- (72) Inventors: **Thomas M. Plante**, Woodbury, MN (US); **Michael Christopher Shine**, St. Paul, MN (US)
- (73) Assignee: **Indian Industries, Inc.**, Evansville, IN (US)
- (\*\*) Term: **15 Years**
- (21) Appl. No.: **29/712,085**
- (22) Filed: **Nov. 5, 2019**
- (51) **LOC (13) Cl.** ..... **21-02**
- (52) **U.S. Cl.**  
USPC ..... **D21/801**
- (58) **Field of Classification Search**  
USPC ..... D21/572, 801, 803, 808, 809; D6/595, D6/596, 597, 598, 601  
CPC ..... B63B 32/20; B63B 32/22; B63B 32/51; B63B 32/54; B63B 35/58; B63B 35/607; B63B 35/613; B63B 35/62  
See application file for complete search history.

D394,891 S *	6/1998	Peterson	.....	D12/316
D398,694 S *	9/1998	Boddy	.....	D12/316
D529,979 S *	10/2006	Peterson	.....	D21/809
D531,250 S *	10/2006	Peterson	.....	D21/809
D919,730 S *	5/2021	Goldman	.....	D21/808

**OTHER PUBLICATIONS**

Inflatable Flying Fish Tube Banana Boat—Inflatable Flying Towable [online], [retrieved on May 25, 2021], Retrieved from <<https://www.inflatable-zone.com/products/free-shipping-inflatable-flying-fish-tube-banana-boat-inflatable-flying-towable-inflatable-zone-tm>>.

(Continued)

*Primary Examiner* — Zenia I Bennett

(74) *Attorney, Agent, or Firm* — Woodard, Emhardt, Henry, Reeves & Wagner, LLP

(57) **CLAIM**

We claim the ornamental design for an inflatable shuttle boat, as shown and described.

**DESCRIPTION**

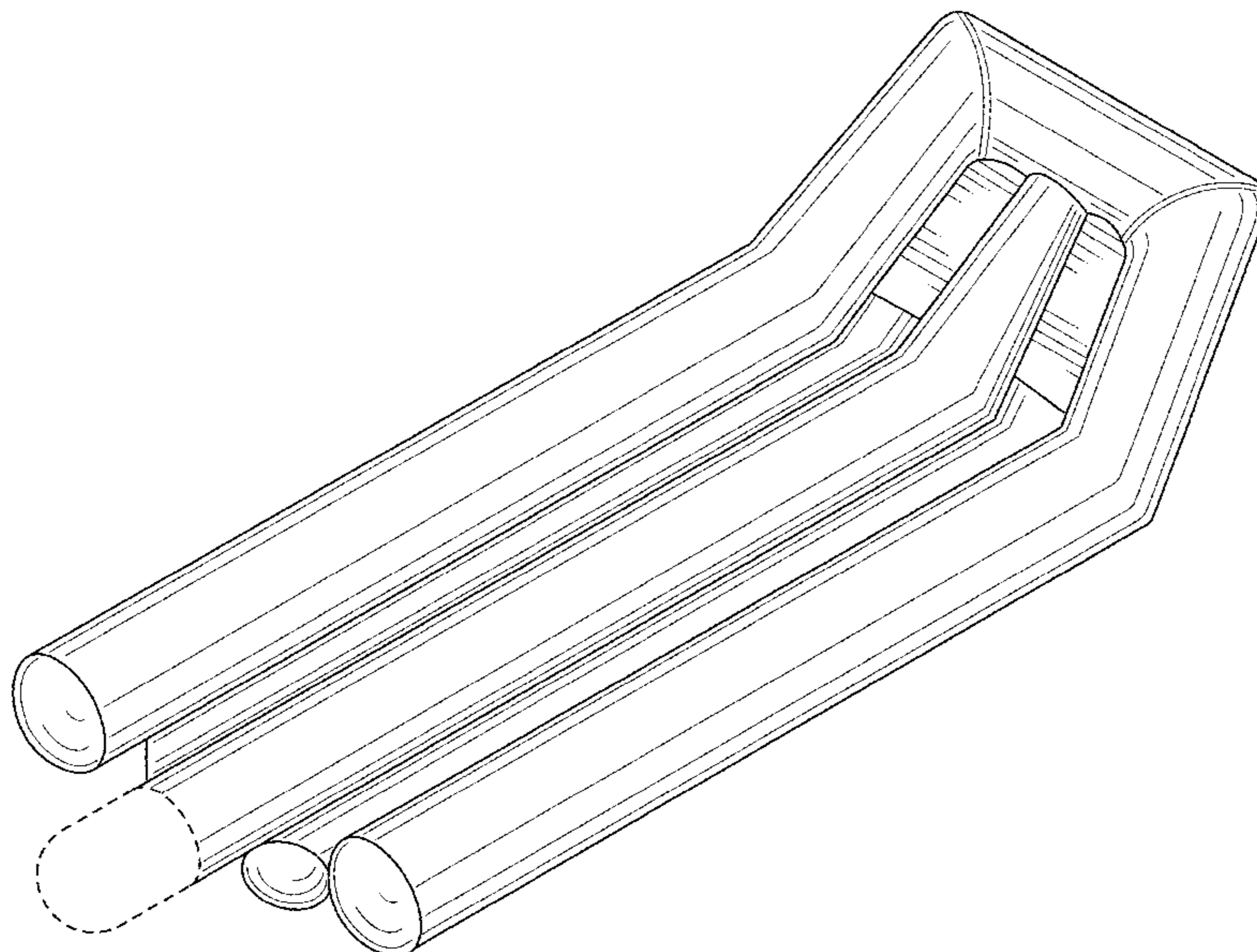
FIG. 1 is a perspective view of an inflatable shuttle boat. FIG. 2 is a top planar view of the inflatable shuttle boat depicted in FIG. 1. FIG. 3 is a side planar view of the inflatable shuttle boat depicted in FIG. 1. FIG. 4 is a bottom planar view of the inflatable shuttle boat depicted in FIG. 1. FIG. 5 is an aft end planar view of the inflatable shuttle boat depicted in FIG. 1; and, FIG. 6 is a bow end planar view of the inflatable shuttle boat depicted in FIG. 1. The broken lines in the drawings illustrate portions of the inflatable shuttle boat that form no part of the claimed design and may depict environmental subject matter only.

**1 Claim, 5 Drawing Sheets**

(56) **References Cited**

**U.S. PATENT DOCUMENTS**

2,620,493 A *	12/1952	Brelsford	.....	A47C 27/081
				5/700
2,717,399 A *	9/1955	Backhouse	.....	B63C 11/49
				441/135
D206,335 S *	11/1966	Solipasso	.....	D12/11
4,723,329 A *	2/1988	Vaccaro	.....	A47C 15/006
				441/129
D308,403 S *	6/1990	LaForce, Jr.	.....	D12/316
D349,145 S *	7/1994	Haughey	.....	D21/809
5,458,517 A *	10/1995	Ellis	.....	A47C 15/006
				441/129



(56)

**References Cited**

## OTHER PUBLICATIONS

High Quality Inflatable Fly Fish Boat—Inflatable Towable Fly Boat Inflatable Zone [online], [retrieved on May 25, 2021], Retrieved from <<https://www.inflatable-zone.com/products/high-quality-inflatable-fly-fish-boat-inflatable-towable-fly-boat-inflatable-zone-tm>>.

Inflatable Flying Fish Boat Towables Toys for Water Tours, Inflatable Zone [online], [retrieved on May 25, 2021], Retrieved from <[https://www.inflatable-zone.com/products/free-shipping-inflatable-flying-fish-boat-towables-toys-for-water-tours-inflatable-zone-tm?\\_pos=5&\\_sid=cbcfbc6a2&\\_ss=r](https://www.inflatable-zone.com/products/free-shipping-inflatable-flying-fish-boat-towables-toys-for-water-tours-inflatable-zone-tm?_pos=5&_sid=cbcfbc6a2&_ss=r)>.

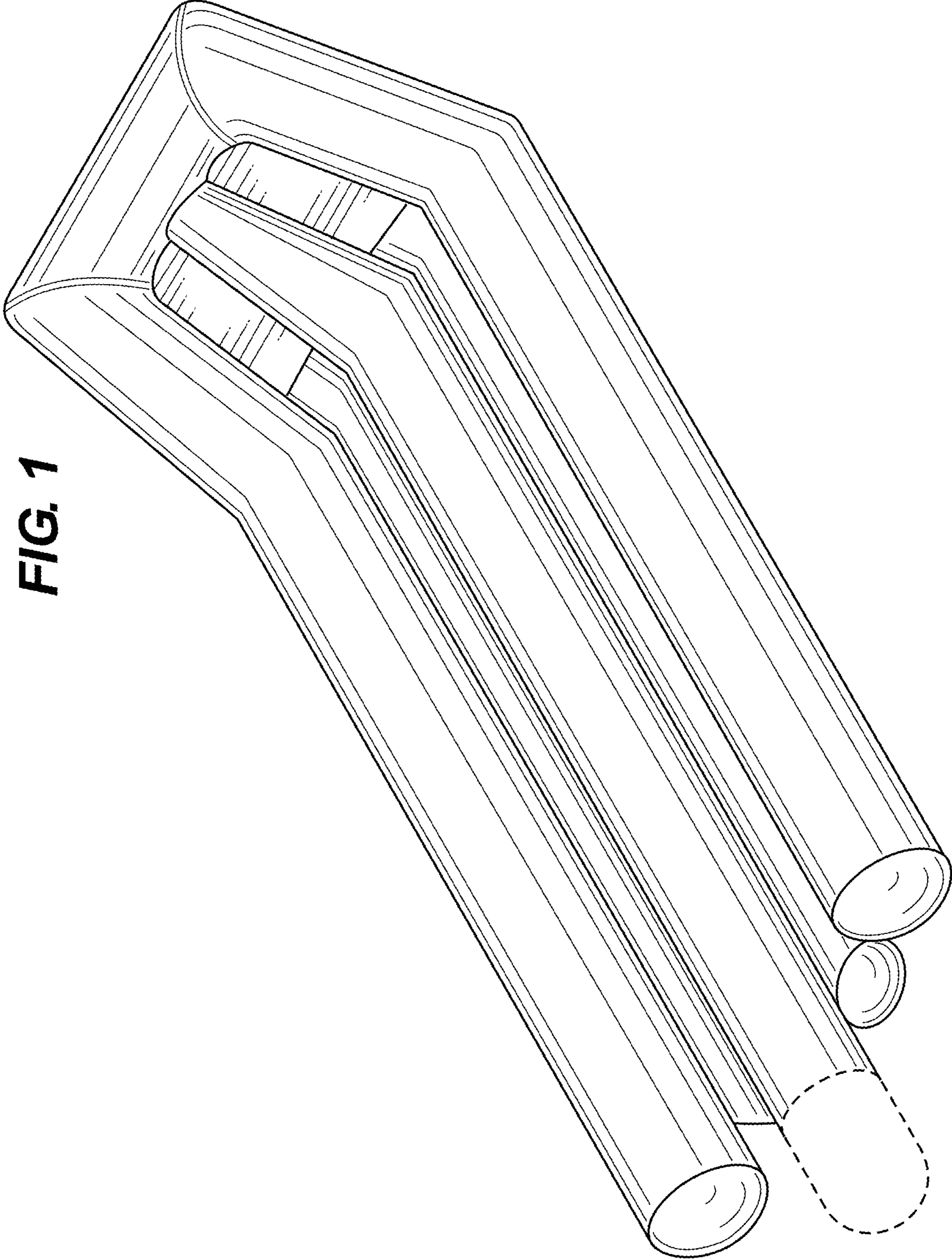
Island Hopper 12 Passenger Banana Taxi Elite Class Heavy Commercial Banana Boat [online], [retrieved on May 25, 2021], Retrieved from <<https://www.amazon.com/Island-Hopper-Passenger-Banana-Commercial/dp/B005S4RR54#:~:text=The%20Island%20Hopper%20%22Elite%20Class,1100%20denier%2040%20oz%20PVC>>.

Happybuy Banana Water Boat 10 Riders Raft for Boating 1543lbs Capacity, Banana Towable Tube Comfortable Seat, 16.4'x7' Inflatable Banana Water Sled with Electric Pump, for Lake Sea or Snowfield [online], [retrieved on May 25, 2021], Retrieved from <[https://www.amazon.com/Happybuy-Capacity-Comfortable-Inflatable-Snowfield/dp/B08DND7BMV/ref=\\_1\\_1\\_sspa?dchild=1&keywords=Happybuy+Banana+water+boat&qid=1624903977&sr=8-1-spons&psc=1&spLa=ZW5jcnlwdGVkUXVhbGlmaWVyPUEyWU03TjNQRjNDVk0wJmVuY3J5cHRlZElkPUEwNTY4NDQxMTZNVDZJNVZOQlkyOCZlbnNyeXB0ZWRBZEIkPUEwNTUwMjY0RjREQVhGMlNZRktBjndpZGdldE5hbWU9c3BfYXRmJmFjdGlvbjIjbGlja1JIZGlyZWNOJmRvTm90TG9nQ2xpY2s9dHJ1ZQ==](https://www.amazon.com/Happybuy-Capacity-Comfortable-Inflatable-Snowfield/dp/B08DND7BMV/ref=_1_1_sspa?dchild=1&keywords=Happybuy+Banana+water+boat&qid=1624903977&sr=8-1-spons&psc=1&spLa=ZW5jcnlwdGVkUXVhbGlmaWVyPUEyWU03TjNQRjNDVk0wJmVuY3J5cHRlZElkPUEwNTY4NDQxMTZNVDZJNVZOQlkyOCZlbnNyeXB0ZWRBZEIkPUEwNTUwMjY0RjREQVhGMlNZRktBjndpZGdldE5hbWU9c3BfYXRmJmFjdGlvbjIjbGlja1JIZGlyZWNOJmRvTm90TG9nQ2xpY2s9dHJ1ZQ==)>.

Waterboggan [online], [retrieved on May 25, 2021], Retrieved from <[https://www.ravesports.com/products/waterboggan?\\_pos=1&\\_sid=15b194660&\\_ss=r](https://www.ravesports.com/products/waterboggan?_pos=1&_sid=15b194660&_ss=r)>.

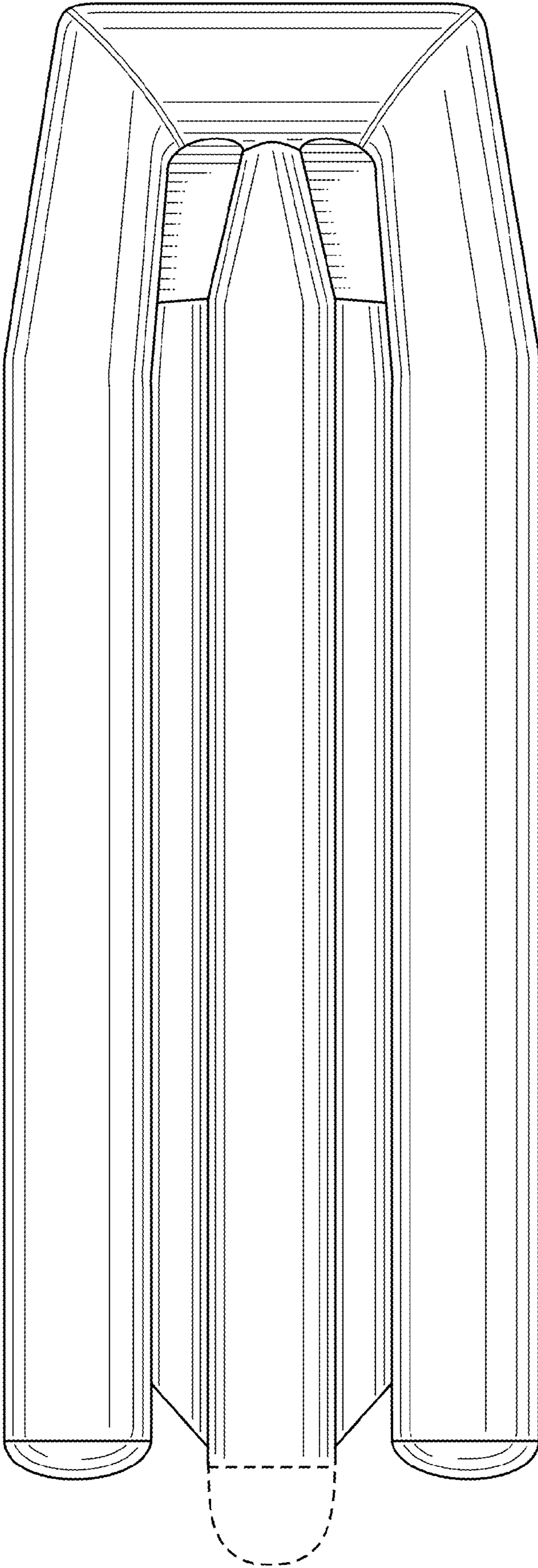
Waterboggan Operator's Manual, published Mar. 2008.

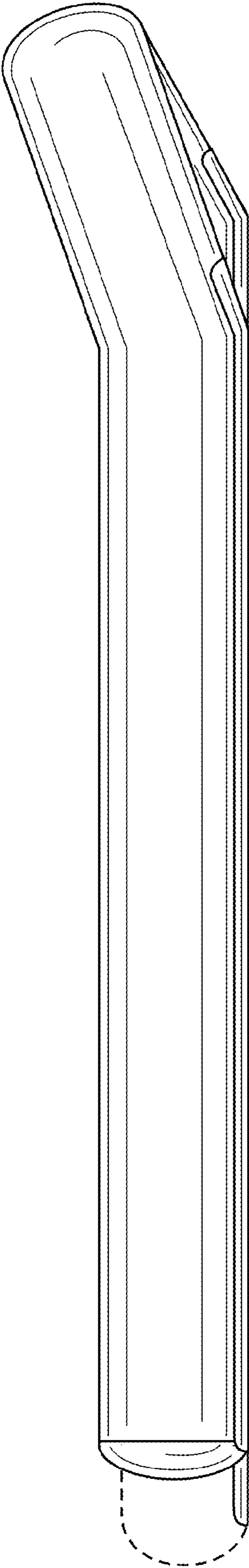
\* cited by examiner



**FIG. 1**

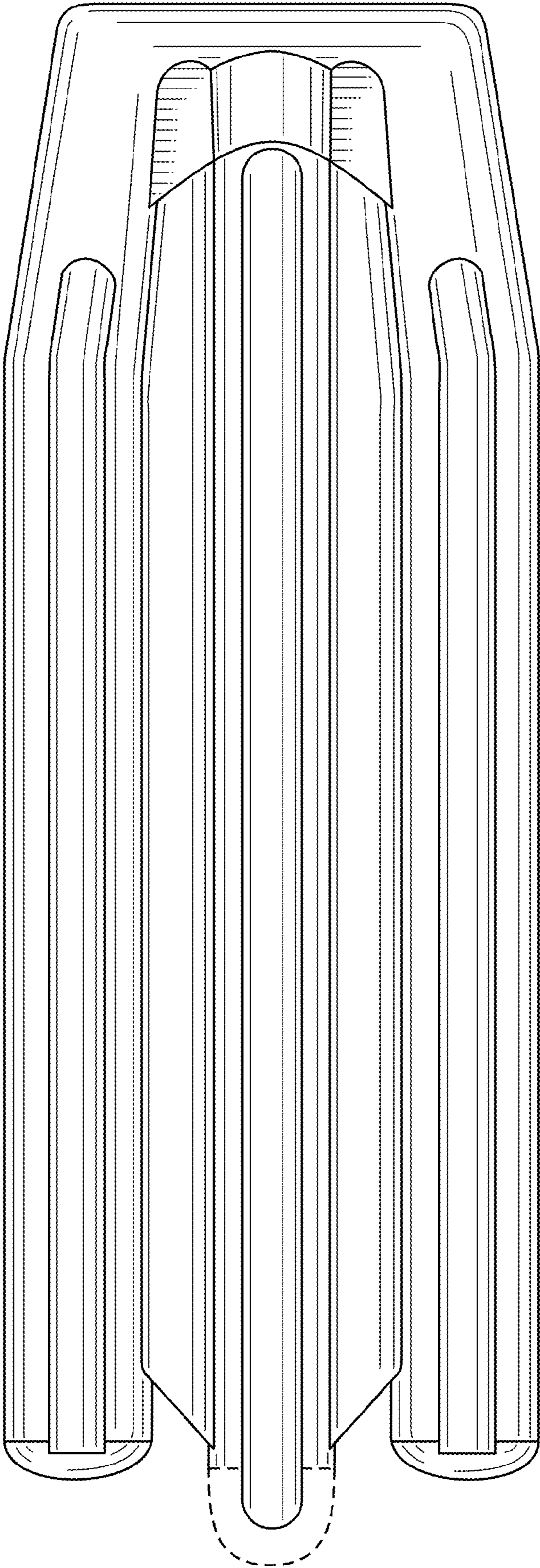
**FIG. 2**



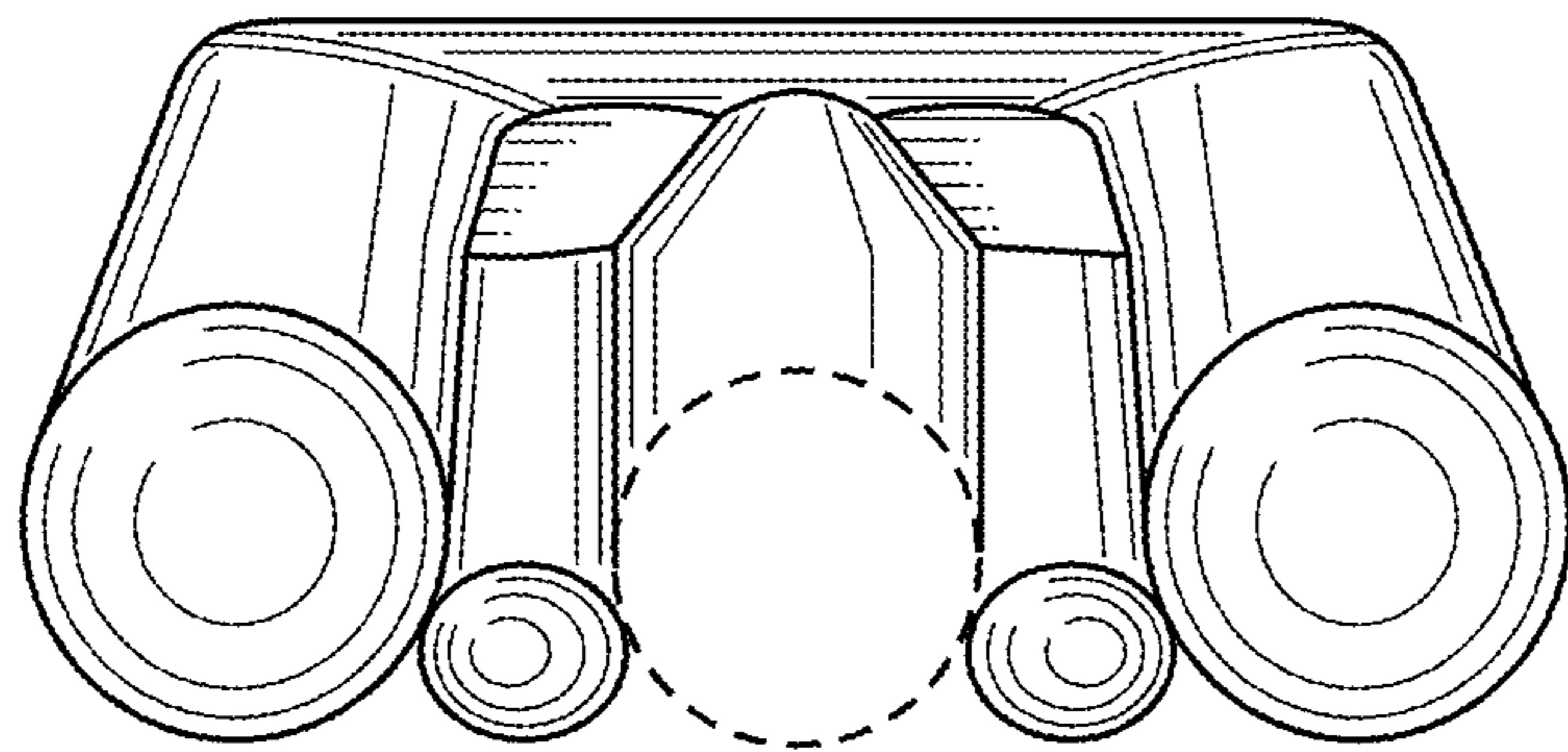


**FIG. 3**

**FIG. 4**



**FIG. 5**



**FIG. 6**

