



US00D927626S

(12) **United States Design Patent** (10) **Patent No.:** **US D927,626 S**
Conboy (45) **Date of Patent:** **** Aug. 10, 2021**

- (54) **BALL PICKUP AND STORAGE DEVICE** 5,464,262 A * 11/1995 Madrazo A63B 47/02
294/19.2
- (71) Applicant: **John S. Conboy**, Chesterfield, MO (US) D366,143 S 1/1996 Guzman
D380,026 S 6/1997 Frankel
D422,028 S 3/2000 Warner
6,142,544 A * 11/2000 Benzoni A63B 47/02
294/19.2
- (72) Inventor: **John S. Conboy**, Chesterfield, MO (US) D445,469 S * 7/2001 Loerop D21/721
6,302,460 B1 * 10/2001 Carr A63B 47/02
294/19.2
- (73) Assignee: **John S. Conboy**, Chesterfield, MO (US) 6,340,188 B1 * 1/2002 Cuti A63B 47/02
294/19.2

(**) Term: **15 Years**

(21) Appl. No.: **29/709,503**

(22) Filed: **Oct. 15, 2019**

(51) **LOC (13) Cl.** **21-02**

(52) **U.S. Cl.**
USPC **D21/796**

(58) **Field of Classification Search**
USPC D21/721, 789, 796
CPC A63B 57/20; A63B 47/00; A63B 47/02;
A63B 2102/02
See application file for complete search history.

(56) **References Cited**

U.S. PATENT DOCUMENTS

- 3,820,836 A * 6/1974 Seewagen et al. A63B 47/02
294/19.2
- D244,149 S 4/1977 Davis
- D250,361 S 11/1978 James
- 4,412,697 A * 11/1983 Verde A63B 47/02
294/19.2
- 4,461,504 A * 7/1984 Perez A63B 47/02
248/132
- 4,811,980 A * 3/1989 Ferrari A63B 47/02
294/19.2
- 5,294,161 A * 3/1994 Stap A63B 47/02
294/19.2
- 5,368,351 A * 11/1994 Cuti A63B 47/02
248/132

(Continued)

Primary Examiner — Mitchell I. Siegel

(74) *Attorney, Agent, or Firm* — Quinn IP Law

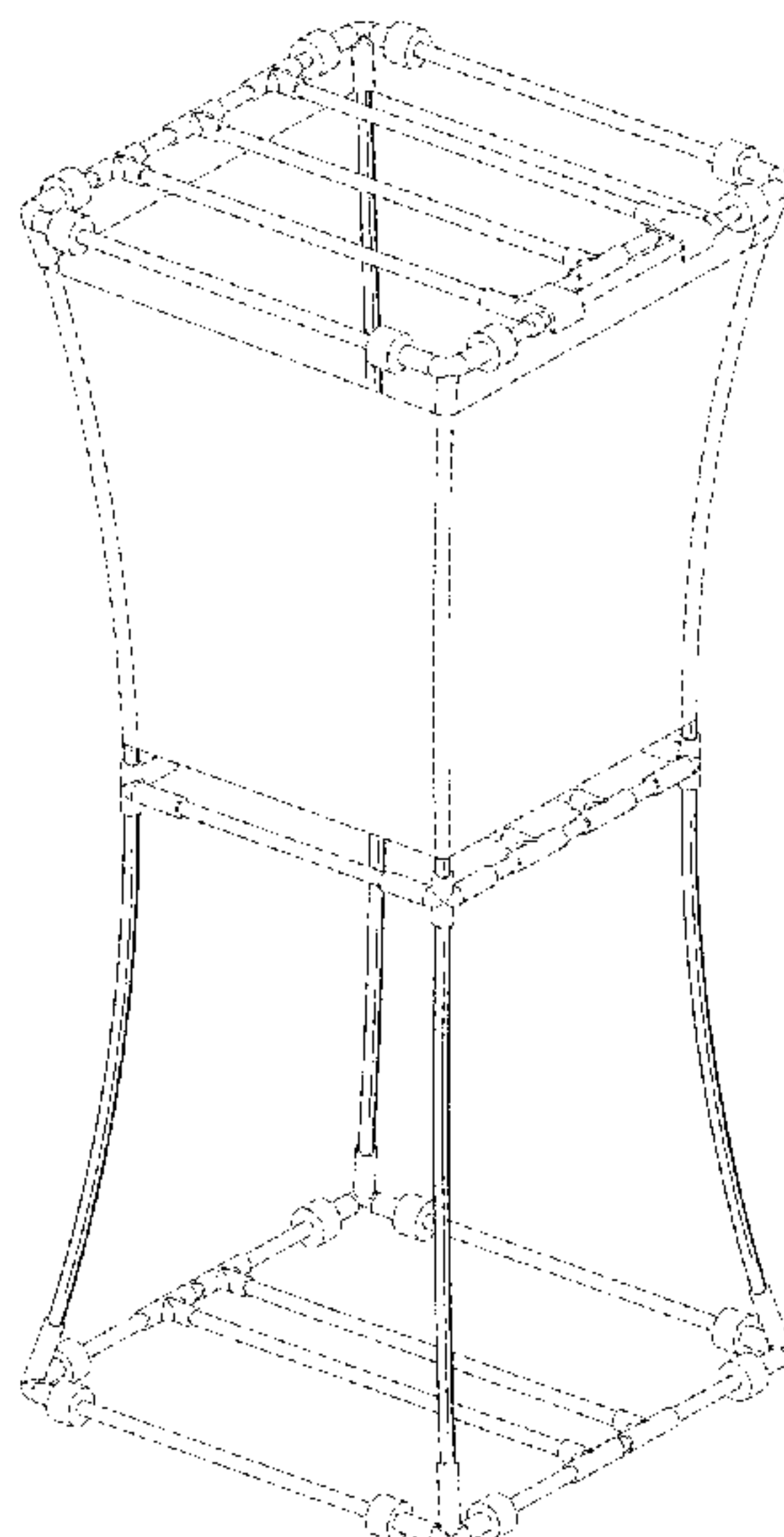
(57) **CLAIM**

The ornamental design for a ball pickup and storage device, as shown and described.

DESCRIPTION

FIG. 1 is a front, top perspective view of a ball pickup and storage device;
 FIG. 2 is a front elevation view of the ball pickup and storage device of FIG. 1;
 FIG. 3 is a rear elevation view of the ball pickup and storage device of FIG. 1;
 FIG. 4 is a right side view of the ball pickup and storage device of FIG. 1;
 FIG. 5 is a left side view of the ball pickup and storage device of FIG. 1;
 FIG. 6 is a top view of the ball pickup and storage device of FIG. 1;
 FIG. 7 is a bottom view of the ball pickup and storage device of FIG. 1; and,
 FIG. 8 is a front, top perspective view of a ball pickup and storage device of FIG. 1, being shown without the unclaimed elongated members on the top.
 The dashed broken lines represent structure or features which form no part of the claimed design.

1 Claim, 5 Drawing Sheets



(56)

References Cited

U.S. PATENT DOCUMENTS

D454,607	S *	3/2002	Cuti	D21/721
6,354,643	B1 *	3/2002	Podejko	A63B 47/02 280/47.34
D461,859	S *	8/2002	Dirks	D21/720
6,845,578	B1	1/2005	Lucas	
D517,139	S	3/2006	Kim	
D540,409	S	4/2007	Martin et al.	
7,377,565	B1 *	5/2008	Beavin	A63B 47/02 294/19.2
8,141,919	B2 *	3/2012	Turdo	A63B 71/0036 294/19.2
8,177,271	B2 *	5/2012	Zats	A63B 47/02 294/19.2
8,328,254	B1 *	12/2012	Zats	A63B 47/02 294/19.2
9,839,816	B2 *	12/2017	Qiu	F16M 13/06
10,035,528	B2 *	7/2018	Ilkovic	B62B 5/0485
10,946,252	B1 *	3/2021	Conboy	A63B 47/02
2006/0027983	A1 *	2/2006	Pederson	A63B 71/0036 280/47.35
2007/0191145	A1 *	8/2007	Winter	A63B 47/00 473/460
2008/0122233	A1	5/2008	Beavin	
2010/0323827	A1 *	12/2010	Misiak	A63B 47/00 473/460
2011/0204664	A1 *	8/2011	Turdo	A63B 47/02 294/19.2
2016/0256751	A1 *	9/2016	Barandao	A63B 47/02

* cited by examiner

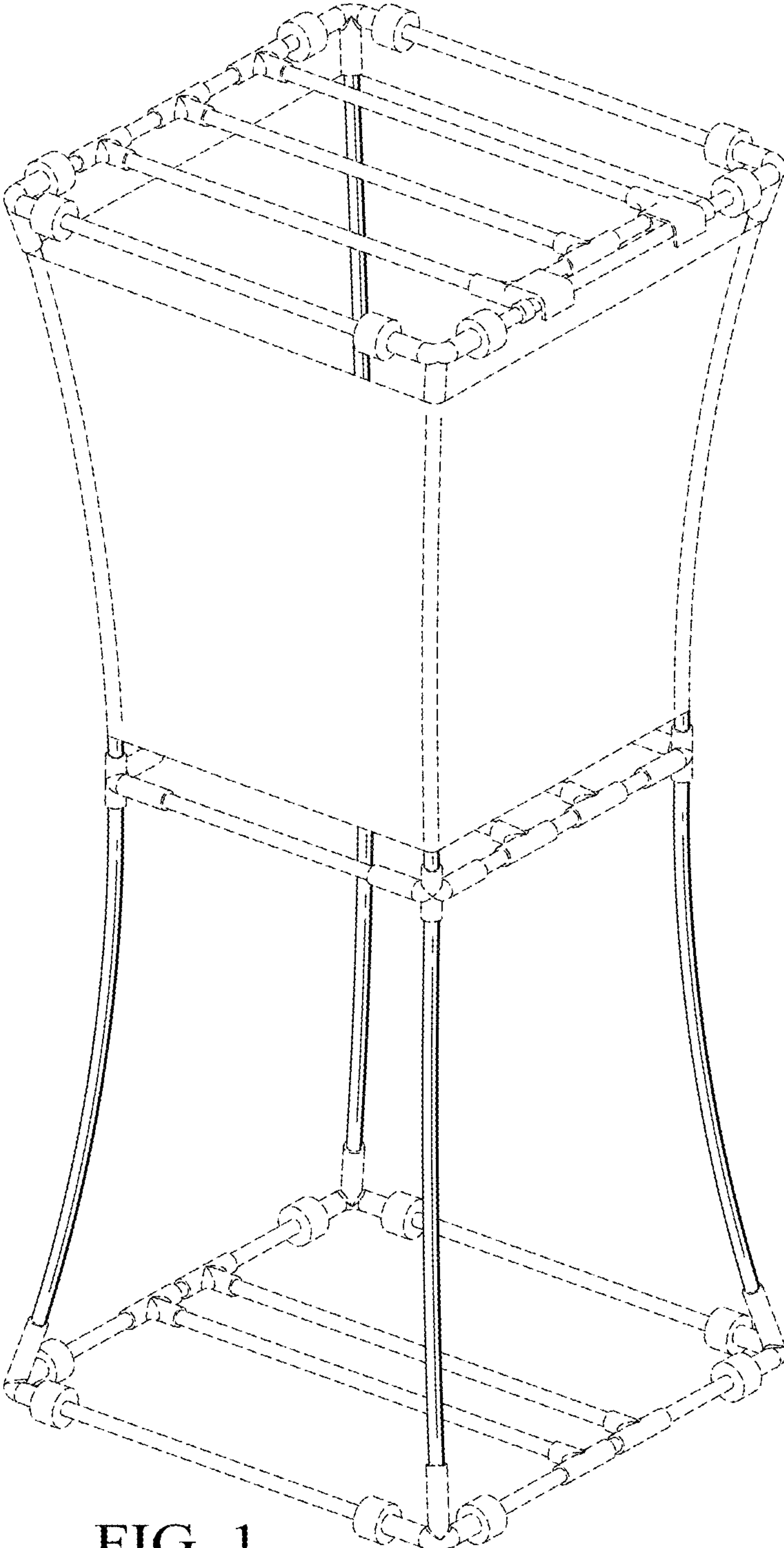


FIG. 1

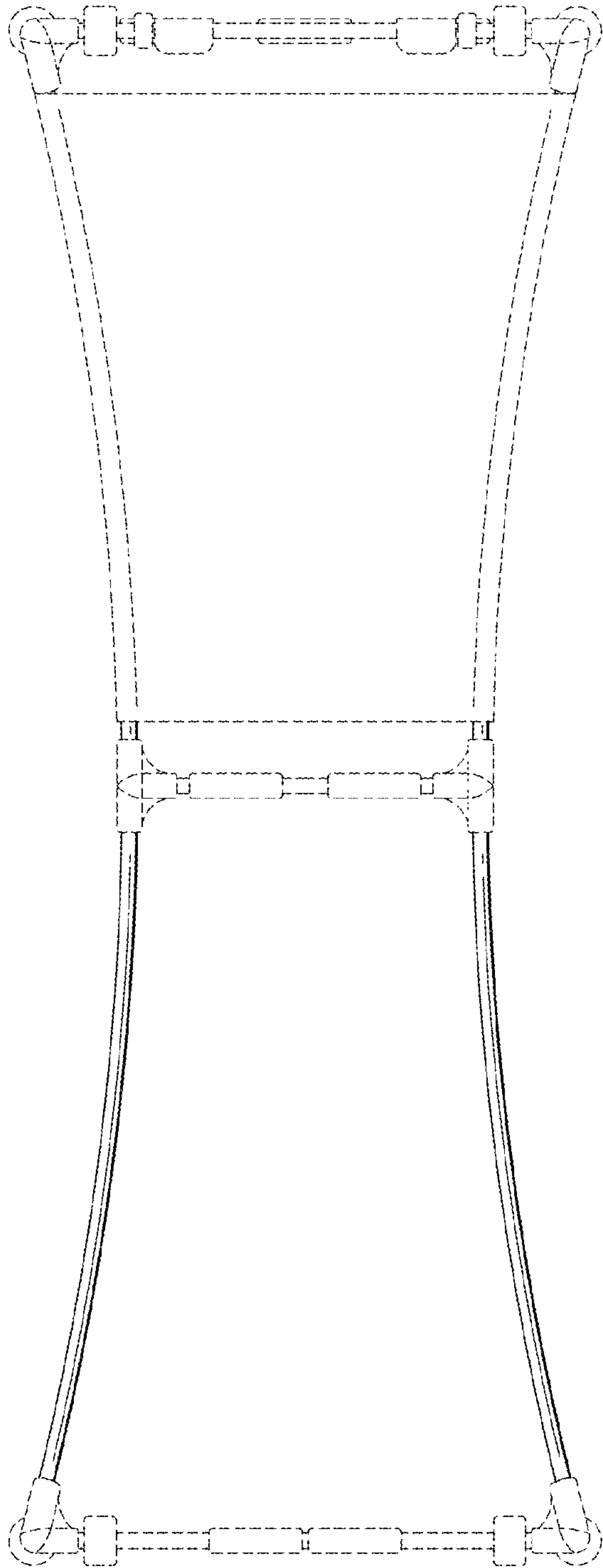


FIG. 2

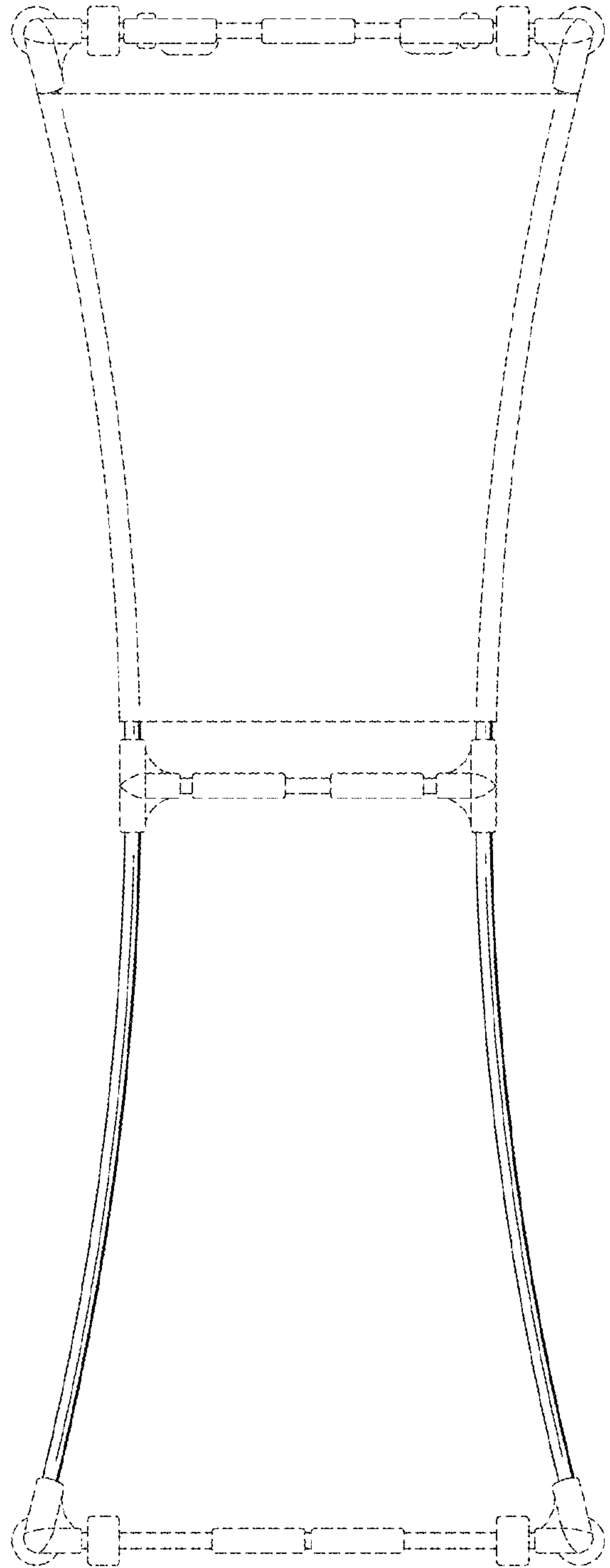


FIG. 3

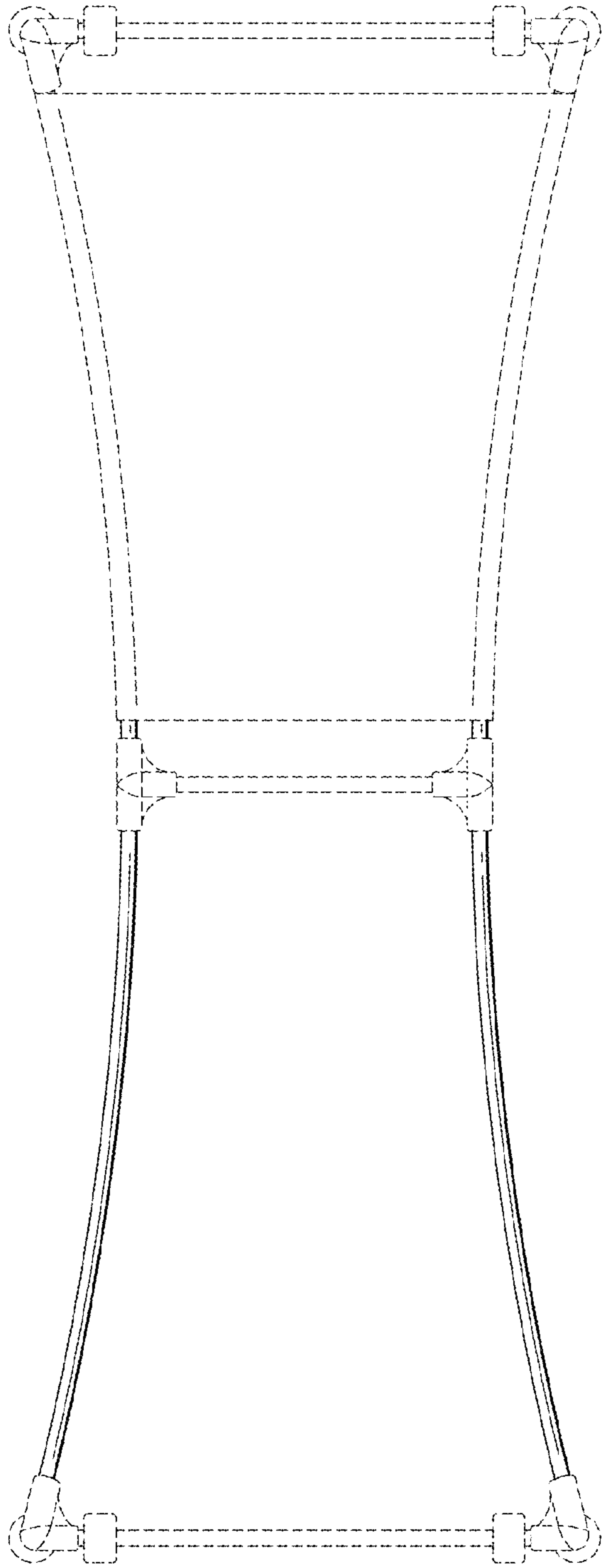


FIG. 4

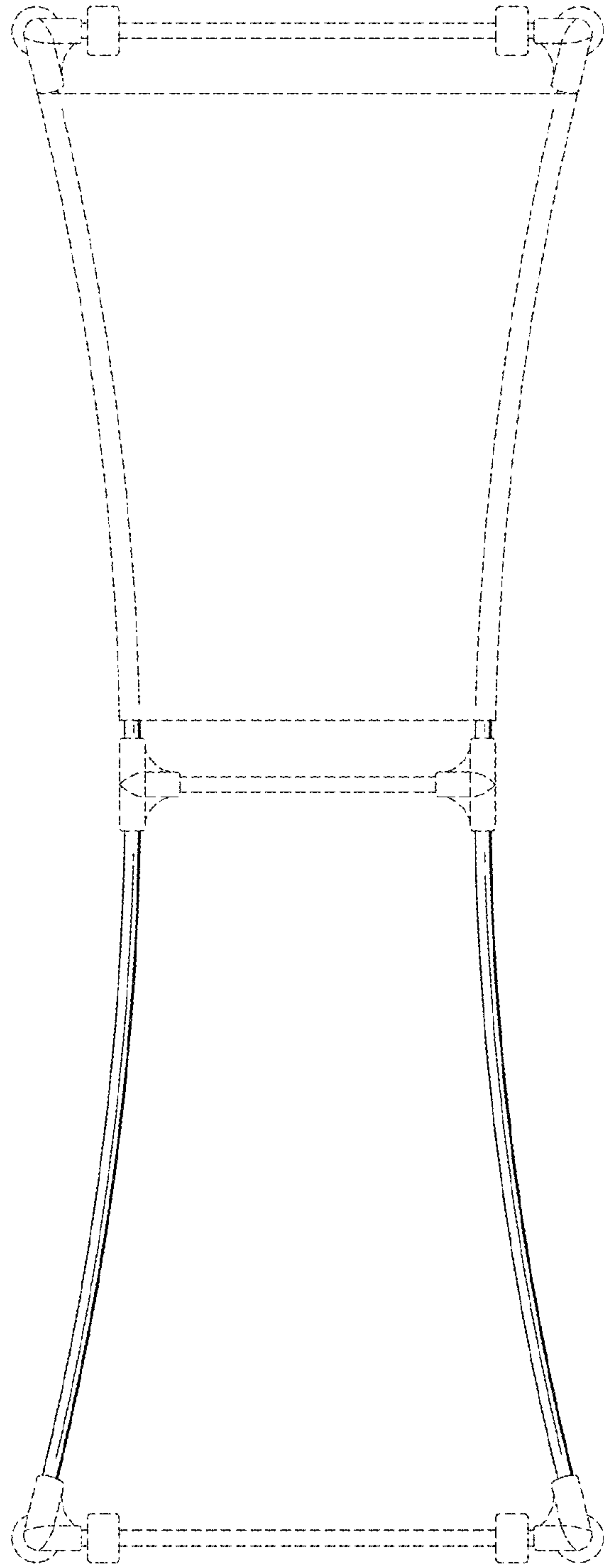


FIG. 5

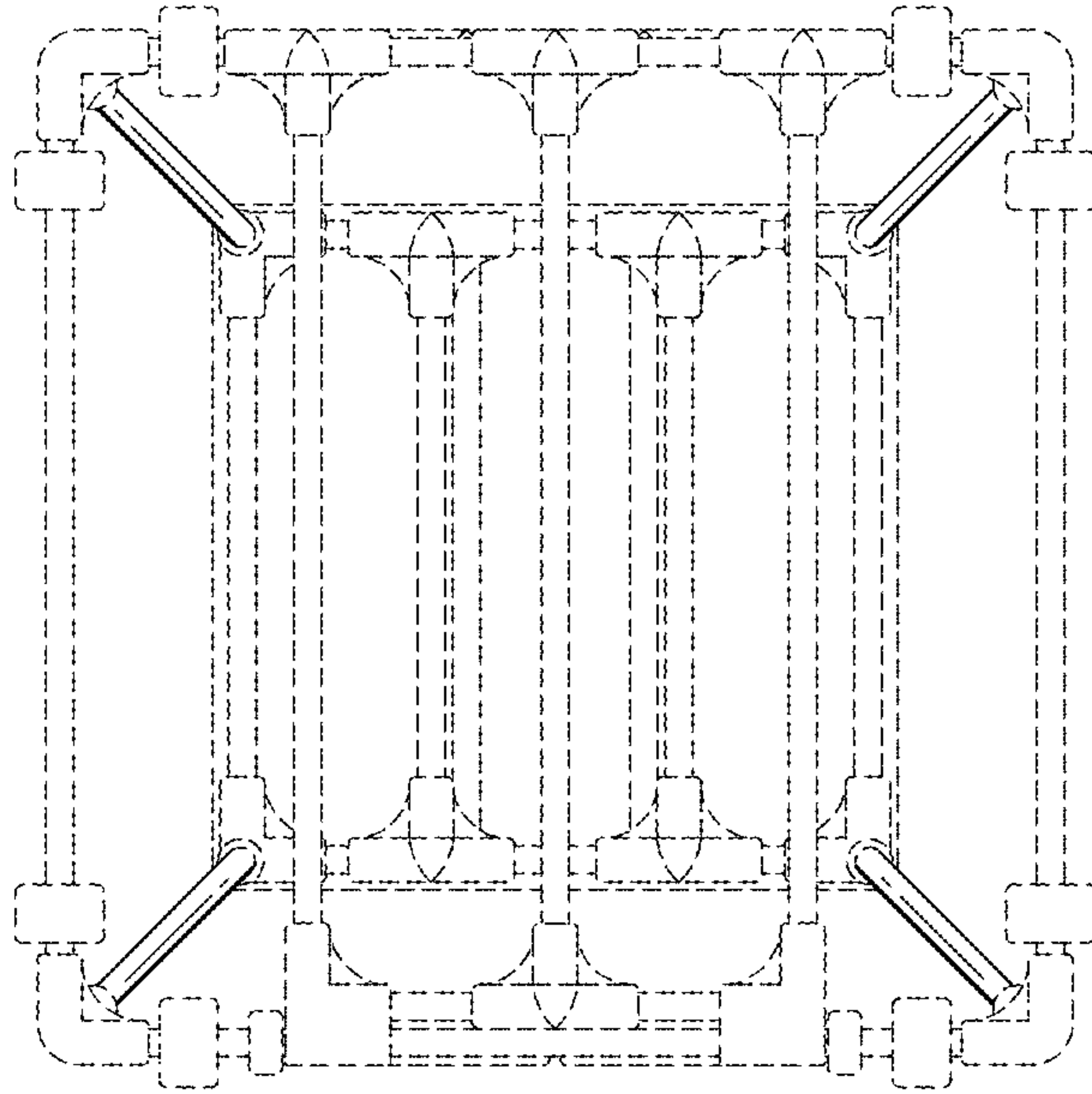


FIG. 6

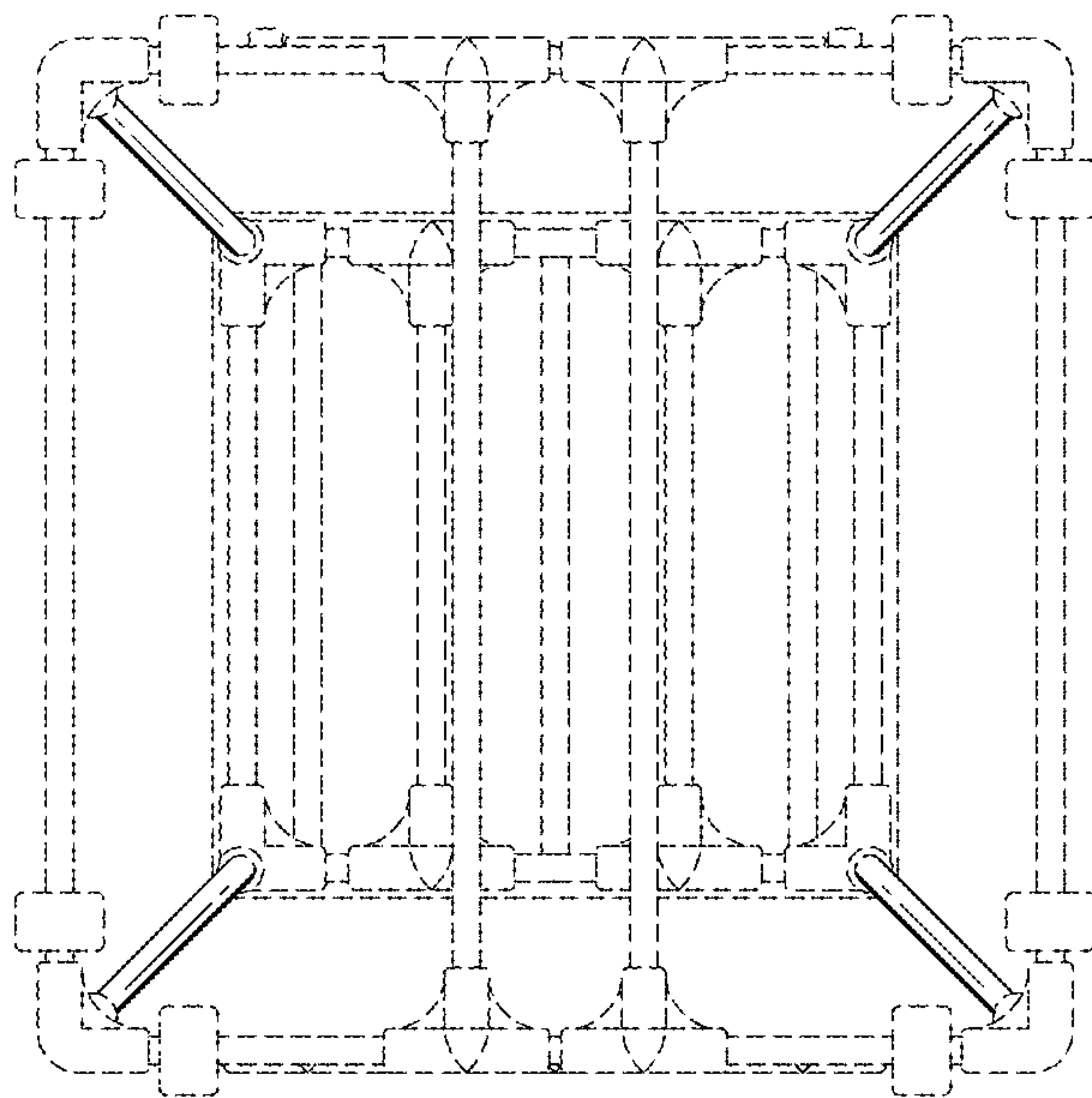


FIG. 7

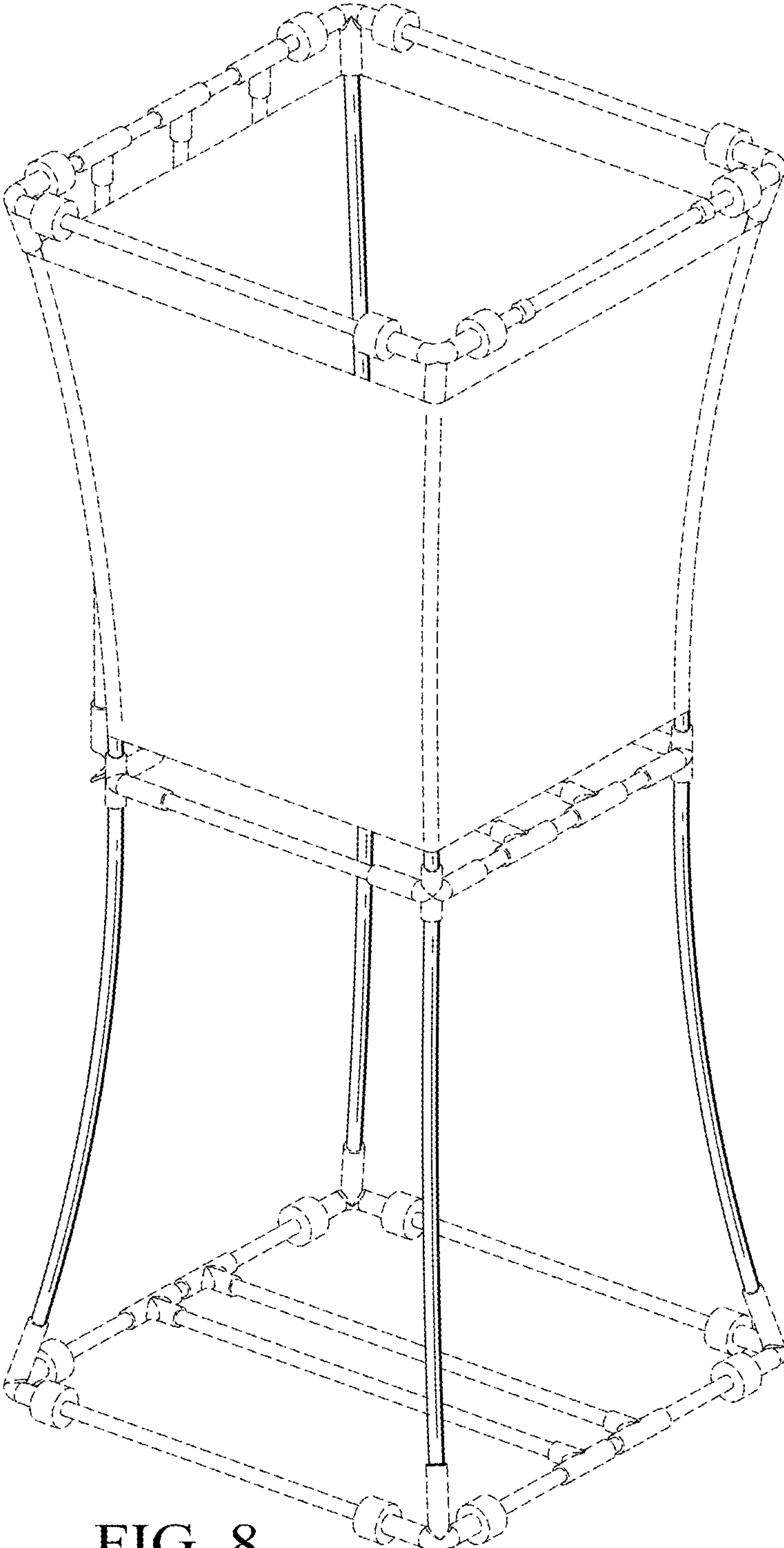


FIG. 8