



US00D927624S

(12) **United States Design Patent**
McHugh

(10) **Patent No.:** **US D927,624 S**

(45) **Date of Patent:** **** Aug. 10, 2021**

- (54) **PORTABLE PITCHING MOUND**
- (71) Applicant: **Kalan McHugh**, Mosinee, WI (US)
- (72) Inventor: **Kalan McHugh**, Mosinee, WI (US)
- (**) Term: **15 Years**
- (21) Appl. No.: **29/676,720**
- (22) Filed: **Jan. 14, 2019**
- (51) **LOC (13) Cl.** **21-02**
- (52) **U.S. Cl.**
USPC **D21/780**
- (58) **Field of Classification Search**
USPC D21/302, 303, 698, 699, 706, 780;
473/451, 452, 497, 499
CPC A63B 69/002; A63B 69/0013; A63B
2069/0006; A63B 2069/0008; A63B
2102/18; A63B 2102/182
See application file for complete search history.

- D388,849 S * 1/1998 Goeders D21/780
- 5,707,305 A * 1/1998 Goeders A63B 69/002
473/497
- 6,843,739 B2 * 1/2005 Putnam A63B 69/002
473/451
- D567,299 S * 4/2008 Hess D21/480
- 8,216,095 B2 * 7/2012 Weber A63C 19/02
473/497
- D705,374 S * 5/2014 Puccetti D21/780
- 9,227,124 B1 * 1/2016 Sparks A63B 69/0002
- 9,474,954 B2 * 10/2016 Lee A63B 71/02
- 2007/0117660 A1 * 5/2007 Roberts A63B 69/0002
473/497

(Continued)

Primary Examiner — Catherine A Tuttle
(74) *Attorney, Agent, or Firm* — Skinner and Associates;
Joel D. Skinner, Jr.

(57) **CLAIM**

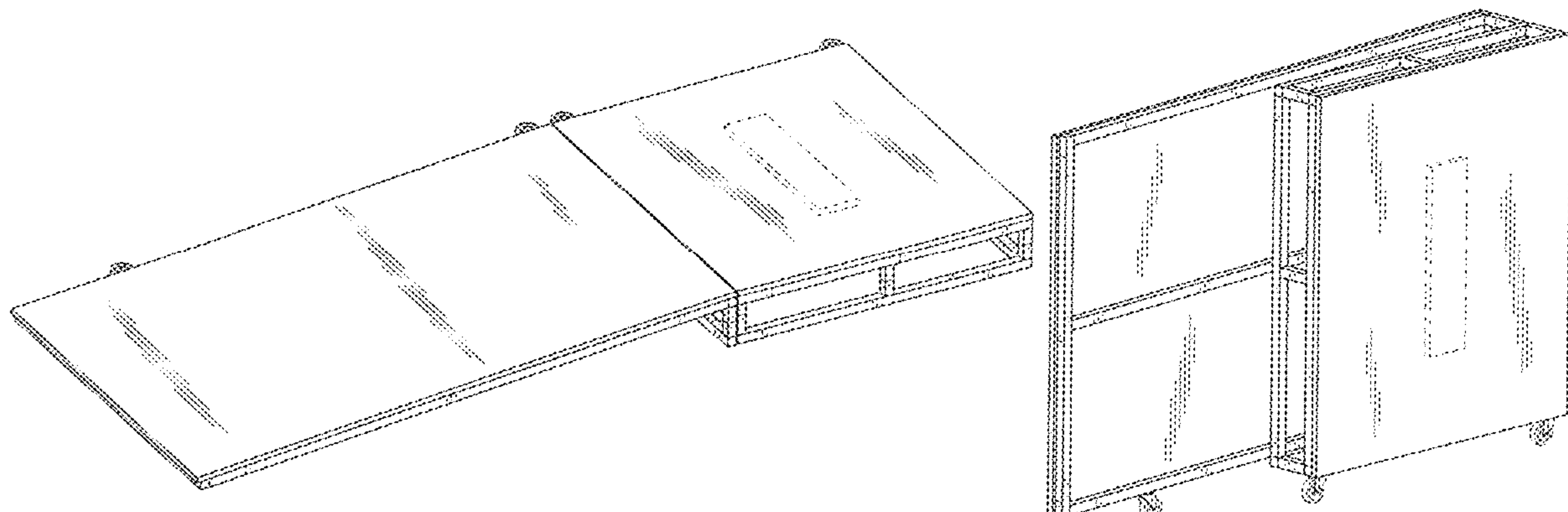
The ornamental design for a portable pitching mound, as shown and described.

DESCRIPTION

FIG. 1 is a top perspective view of a portable pitching mound, embodying my new design;
FIG. 2 is bottom perspective view thereof, showing the portable pitching mound being tipped for transport;
FIG. 3 is a left view thereof, as oriented in FIG. 1;
FIG. 4 is a right end view thereof;
FIG. 5 is a rear view thereof, as oriented in FIG. 1;
FIG. 6 is a front view thereof as oriented in FIG. 1;
FIG. 7 is a top view thereof.
FIG. 8 is a bottom view thereof; and,
FIG. 9 is a perspective view of the portable pitching mound as oriented in FIG. 8 but shown in a folded state.
The dashed lines shown in FIGS. 1, 3-7 and 9 depict a portion of the portable pitching mound that forms no part of the claimed design.

1 Claim, 7 Drawing Sheets

- (56) **References Cited**
U.S. PATENT DOCUMENTS
- 3,236,520 A * 2/1966 Friedman A63B 69/0002
473/452
- 3,703,285 A * 11/1972 Perry A63C 19/04
473/497
- 4,561,653 A * 12/1985 Wright A63B 71/00
473/497
- 4,666,155 A * 5/1987 Stille A63B 69/0002
273/DIG. 8
- 4,749,223 A * 6/1988 Goeders A63B 69/0002
473/497
- D303,823 S * 10/1989 Eke D21/780
- D304,359 S * 10/1989 Wright D21/780
- D315,382 S * 3/1991 Ragsdale D21/780
- 5,058,889 A * 10/1991 Burton A63B 69/0002
473/452
- D338,248 S * 8/1993 Beck D21/780
- 5,467,977 A * 11/1995 Beck A63B 69/0013
473/497



(56)

References Cited

U.S. PATENT DOCUMENTS

2007/0202970 A1* 8/2007 Miller A63B 69/0002
473/451
2009/0233740 A1* 9/2009 Gensler A63B 69/0002
473/497
2012/0270686 A1* 10/2012 Sparks A63B 21/02
473/451
2013/0345000 A1* 12/2013 Gangwer A63B 69/0002
473/497
2014/0057745 A1* 2/2014 Adair A63B 71/00
473/497
2016/0296822 A1* 10/2016 Semerano A63B 69/0002

* cited by examiner

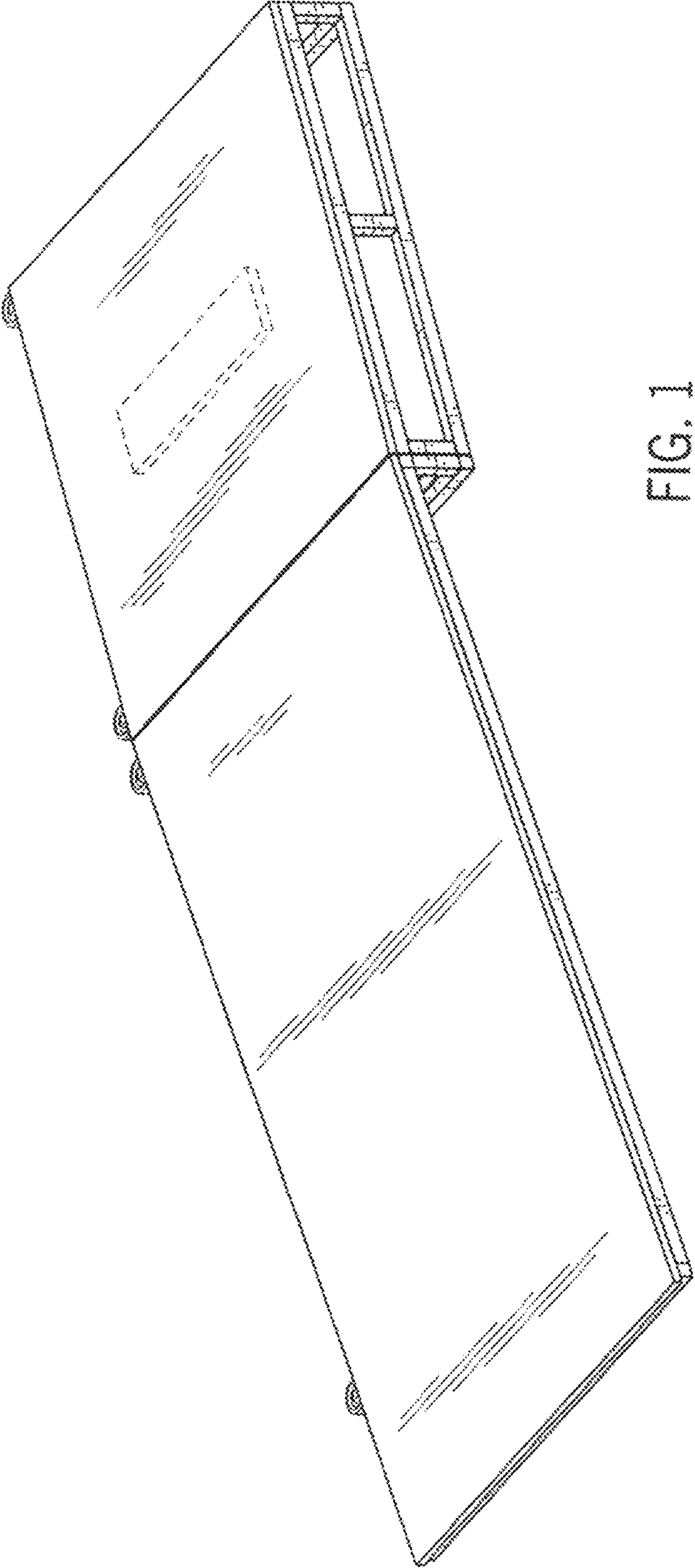


FIG. 1

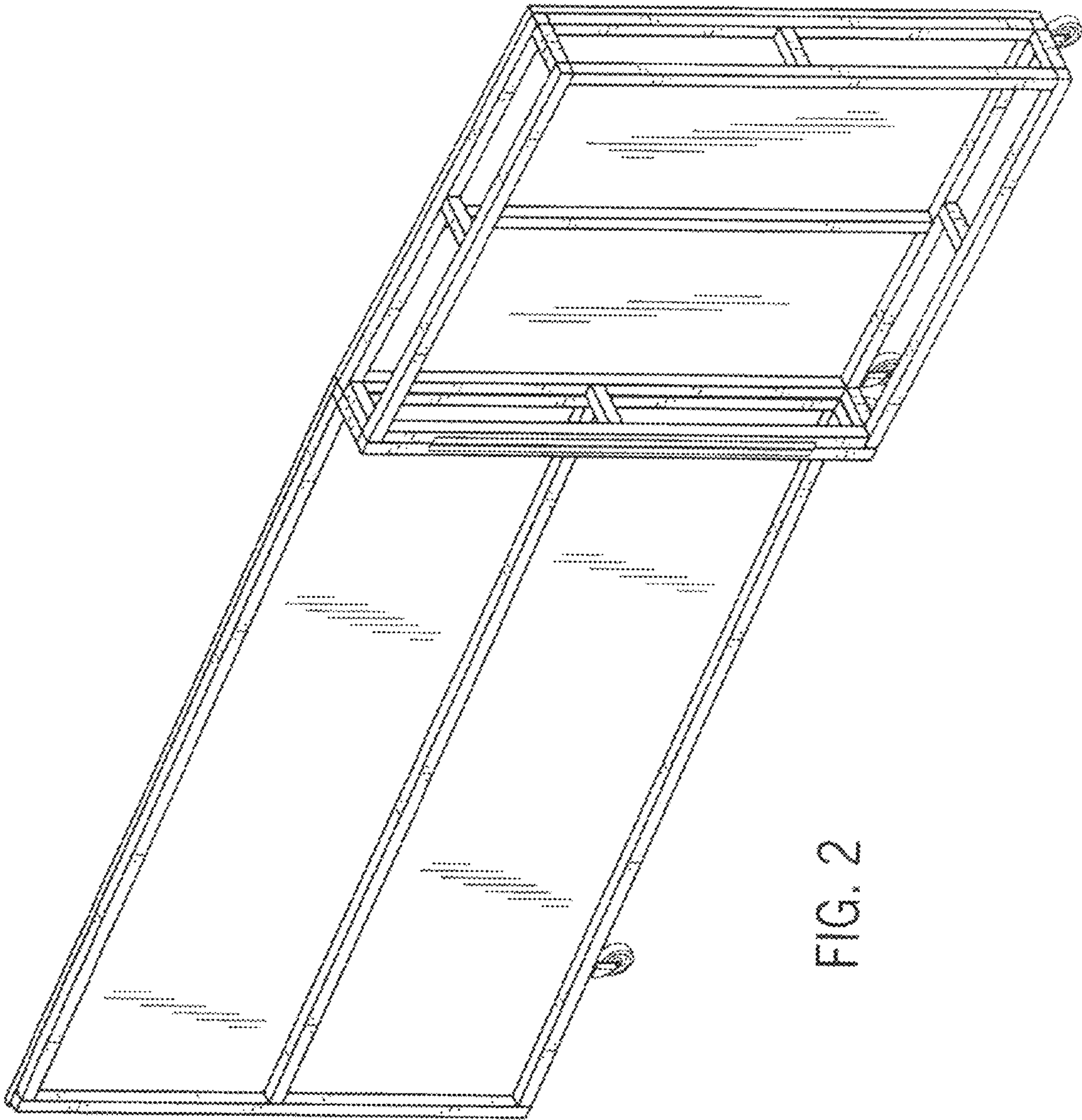


FIG. 2

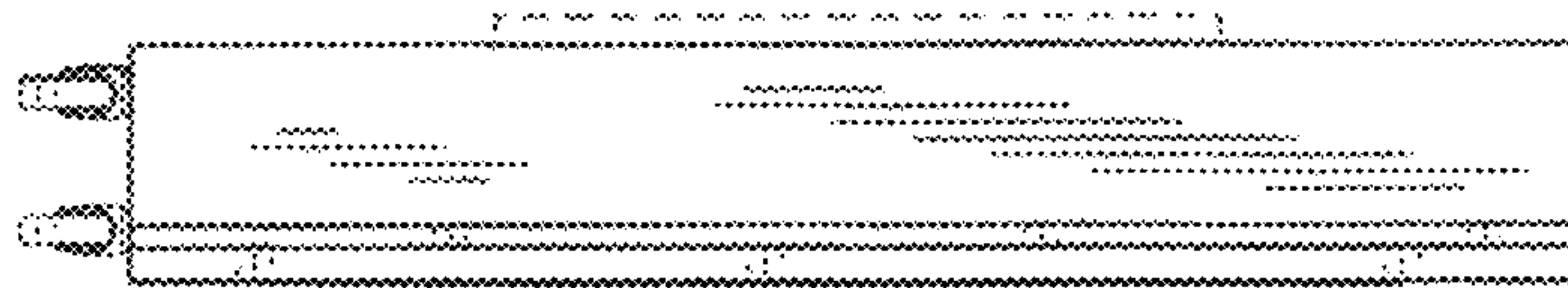


FIG. 3

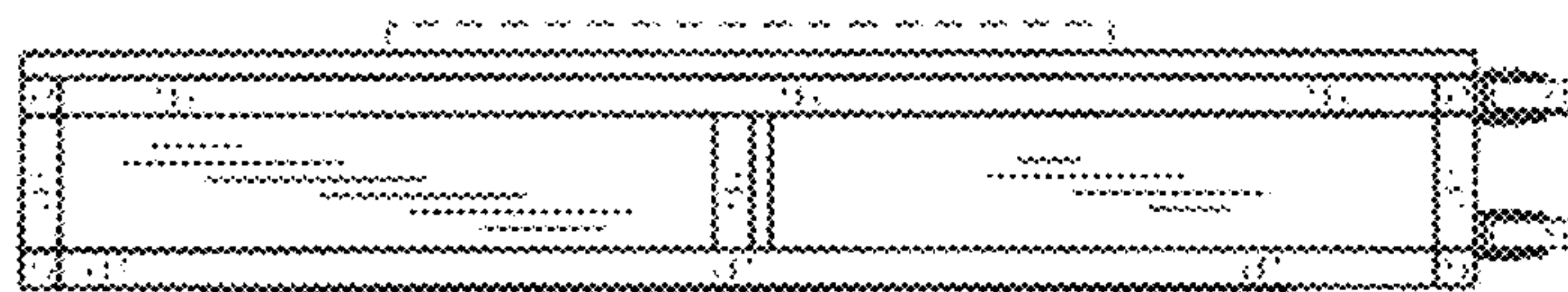


FIG. 4

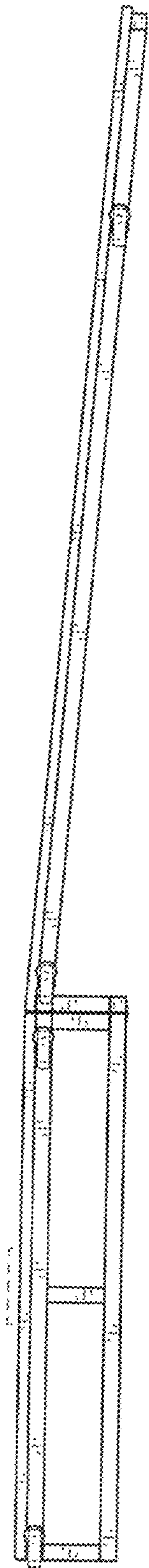


FIG. 5

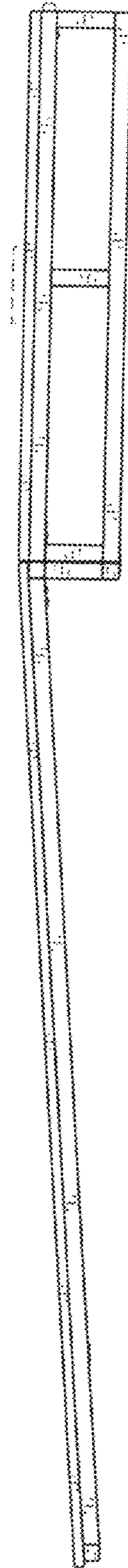


FIG. 6

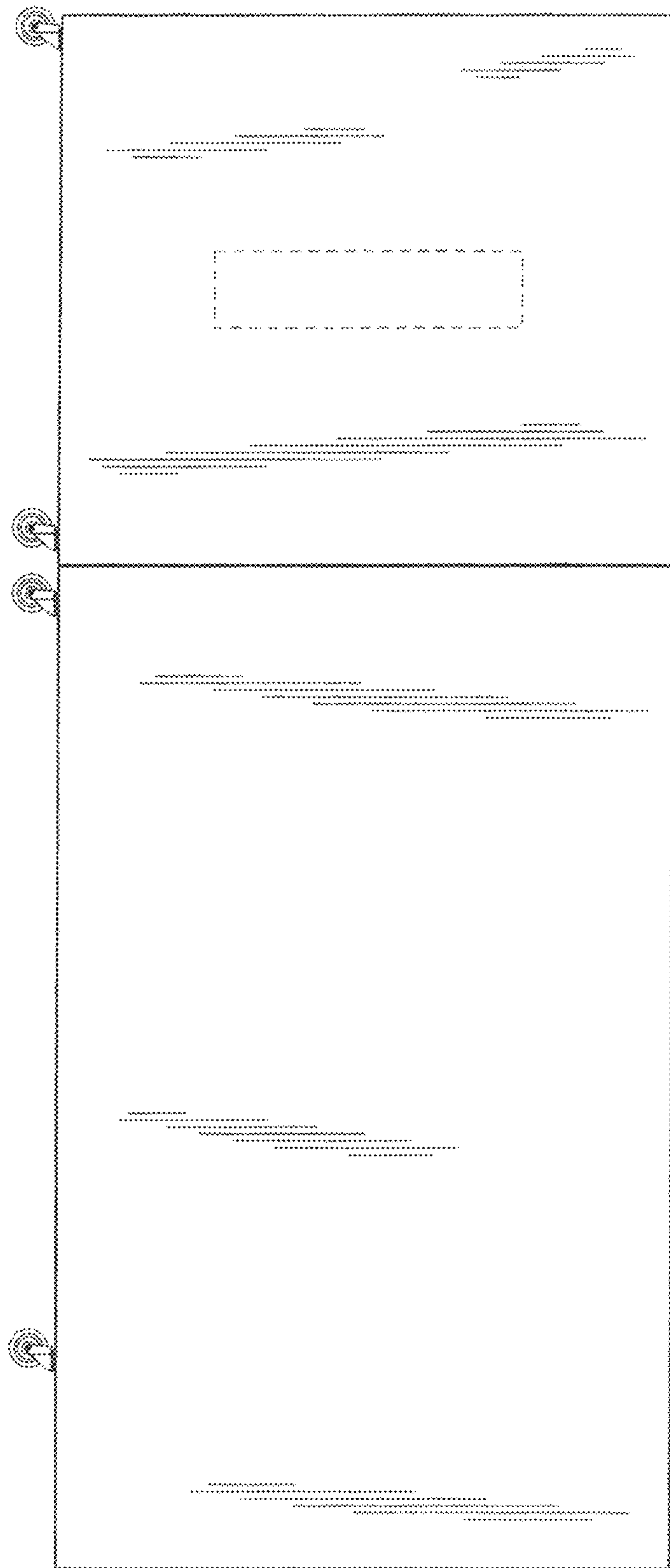


FIG. 7

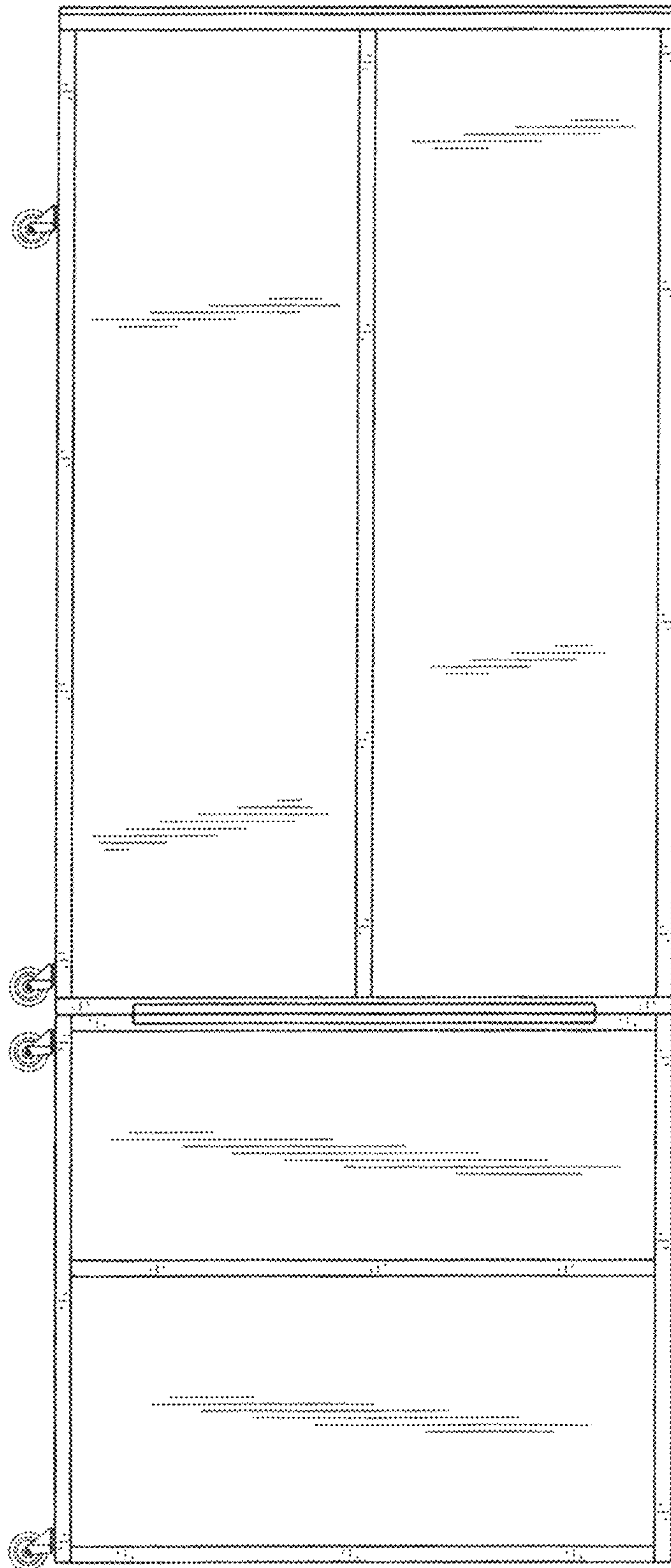


FIG. 8

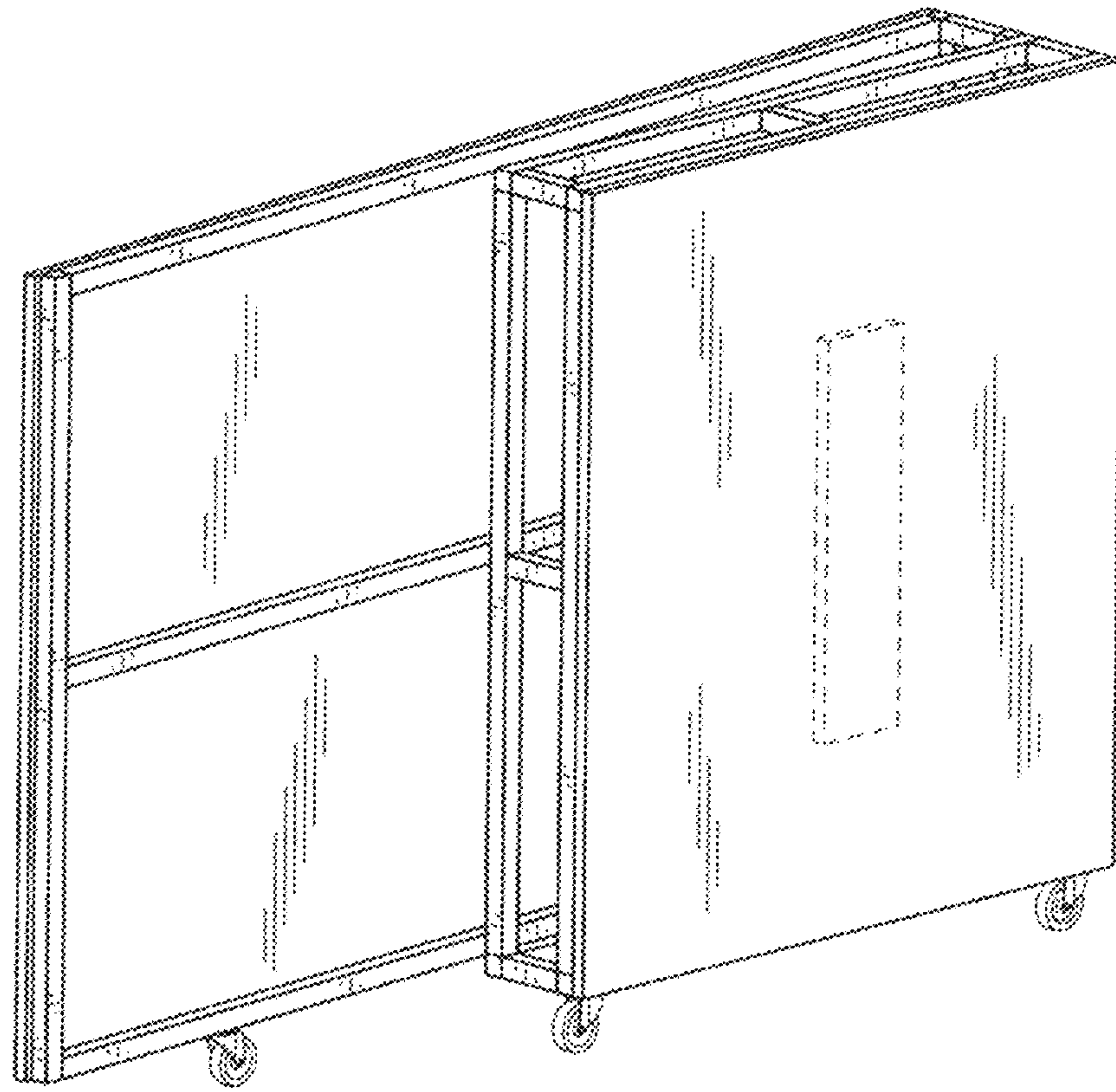


FIG. 9