



US00D927623S

(12) **United States Design Patent**
Fagerberg

(10) **Patent No.:** **US D927,623 S**

(45) **Date of Patent:** **** Aug. 10, 2021**

- (54) **SKATEBOARD DECK**
- (71) Applicant: **Acme Land Surf Co., LLC**, Austin, TX (US)
- (72) Inventor: **Richard Patrick Fagerberg**, Austin, TX (US)
- (73) Assignee: **Acme Land Surf Co., LLC**, Austin, TX (US)
- (**) Term: **15 Years**
- (21) Appl. No.: **29/714,027**
- (22) Filed: **Nov. 20, 2019**
- (51) **LOC (13) Cl.** **21-02**
- (52) **U.S. Cl.**
USPC **D21/765**
- (58) **Field of Classification Search**
USPC D21/419, 421, 423, 760, 763, 765, 771;
D12/1
CPC . A63C 17/0001; A63C 17/011; A63C 17/012;
A63C 17/013; A63C 17/014; A63C
17/015; A63C 17/017; A63C 2203/42
See application file for complete search history.

- 10,226,683 B2 * 3/2019 Chen A63C 17/0033
- 10,369,453 B2 * 8/2019 Bigler A63C 17/014
- D882,008 S * 4/2020 Kumada D21/765
- 2007/0254789 A1 * 11/2007 Odien A63B 26/003
482/146
- 2010/0330876 A1 * 12/2010 Carlson A63H 17/26
446/462
- 2015/0107922 A1 * 4/2015 Bigler A63C 17/12
180/181
- 2016/0001166 A1 * 1/2016 Kumada A63C 17/12
280/87.03
- 2016/0136508 A1 * 5/2016 Bigler A63C 17/014
180/181
- 2018/0221753 A1 * 8/2018 Chen A63C 17/0033

* cited by examiner

Primary Examiner — Cynthia M. Chin

(74) *Attorney, Agent, or Firm* — Brian F. Russell; Russell Ng PLLC

(57) **CLAIM**

The ornamental design for a skateboard deck, as shown and described.

DESCRIPTION

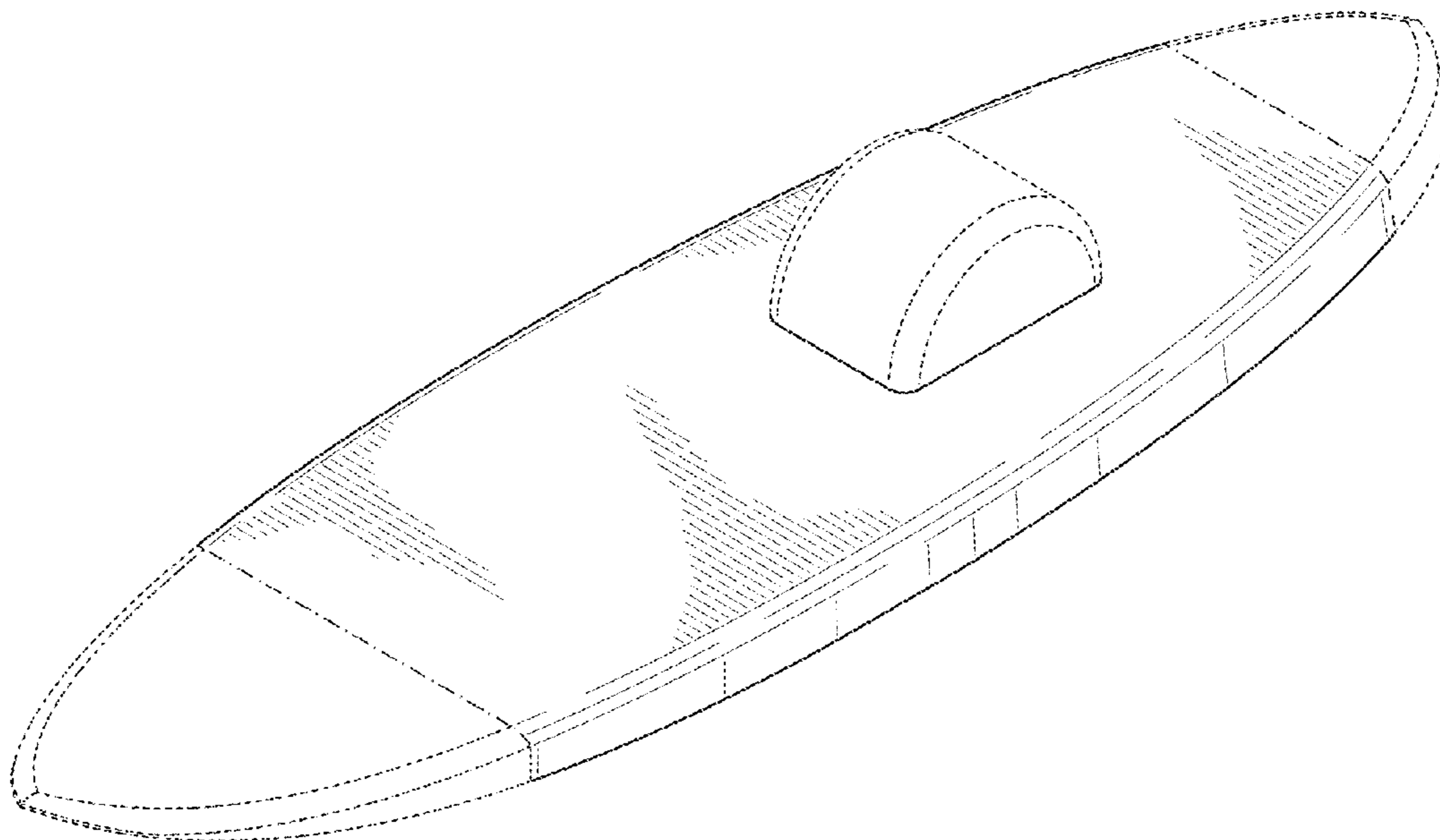
FIG. 1 is a top perspective view of the skateboard deck. FIG. 2 is a bottom perspective view of the skateboard deck. FIG. 3 is a front elevation view of the skateboard deck. FIG. 4 is a back elevation view of the skateboard deck. FIG. 5 is a left side elevation view of the skateboard deck. FIG. 6 is a right side elevation view of the skateboard deck. FIG. 7 is a top plan view of the skateboard deck; and, FIG. 8 is a bottom plan view of the skateboard deck. The evenly-dashed broken lines in the drawings illustrate portions of the skateboard deck that form no part of the claimed design. The dashed-dot broken lines in the drawings depict the boundary between claimed and unclaimed subject matter and form no part of the claimed design.

1 Claim, 6 Drawing Sheets

(56) **References Cited**

U.S. PATENT DOCUMENTS

- D456,047 S * 4/2002 Mandic D21/423
- D692,080 S * 10/2013 Hamborg D21/765
- 8,857,831 B1 * 10/2014 Rotondo A63C 17/012
280/87.042
- D768,252 S * 10/2016 Bigler D21/765
- D792,931 S * 7/2017 Desberg D21/765
- D797,875 S * 9/2017 Ma D21/765
- 9,808,704 B1 * 11/2017 Crossland A63C 17/0086
- D827,747 S * 9/2018 Ma D21/765
- D827,748 S * 9/2018 Desberg D21/765
- D838,793 S * 1/2019 Pang D21/765



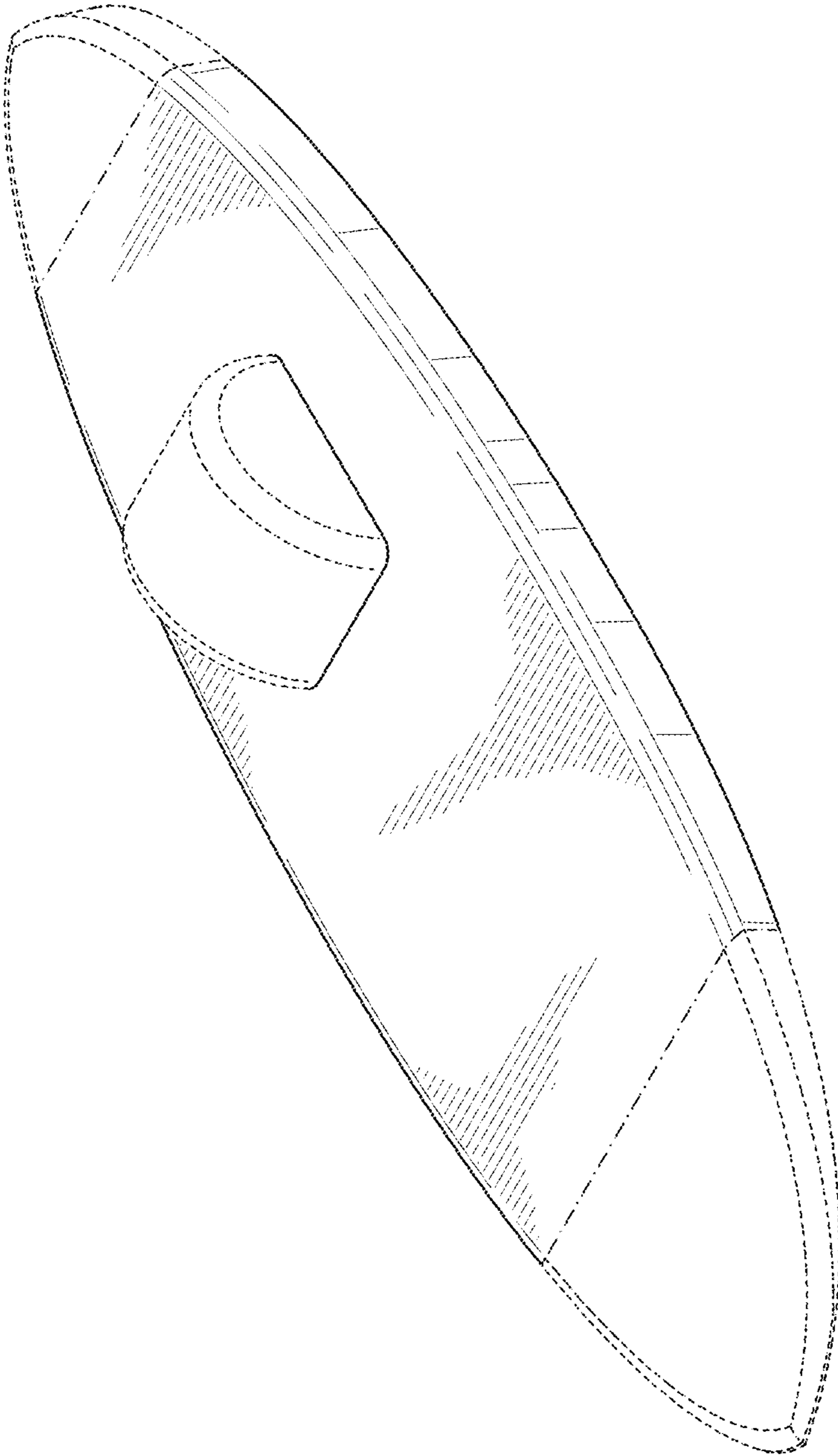


FIG. 1

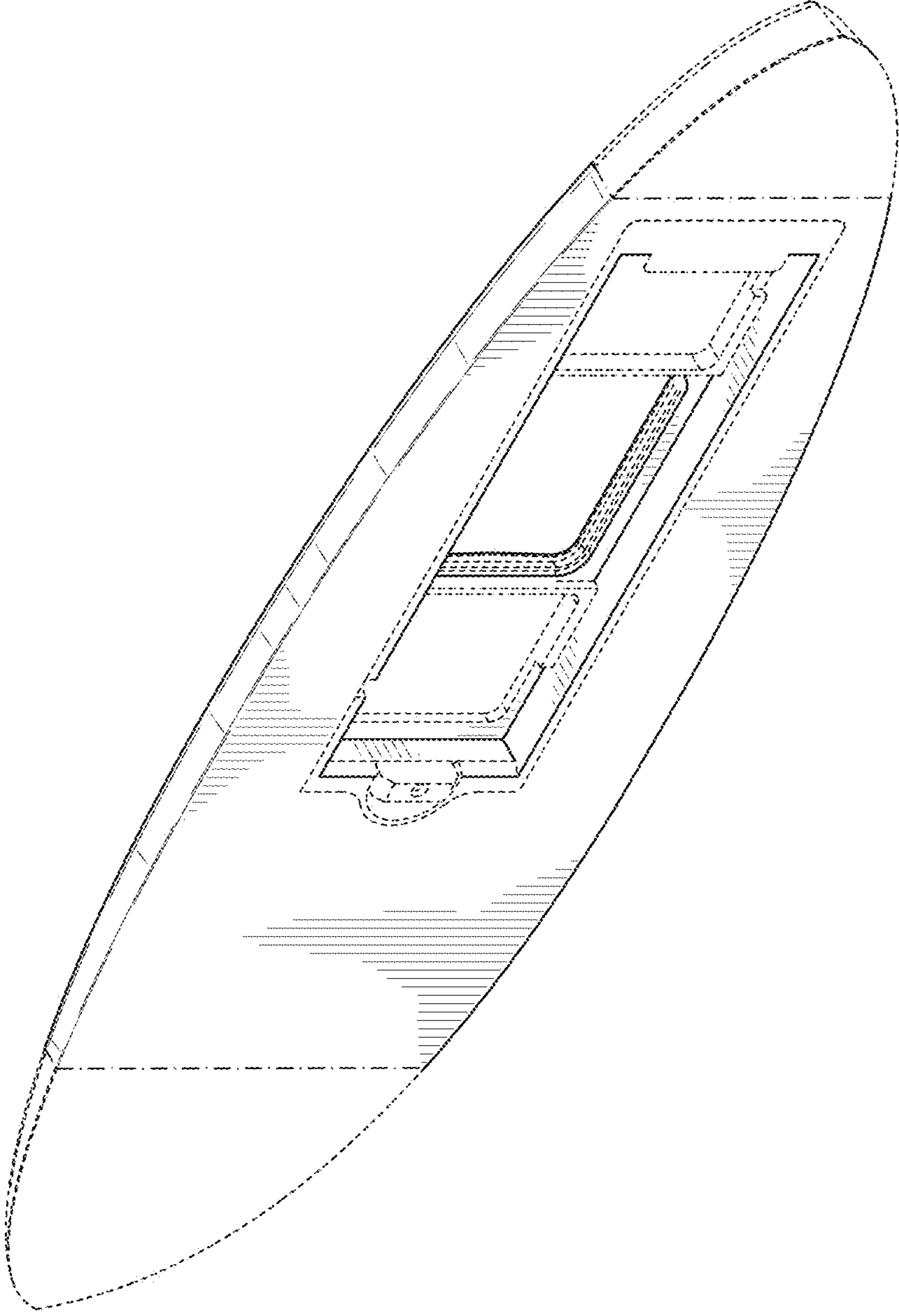


FIG. 2

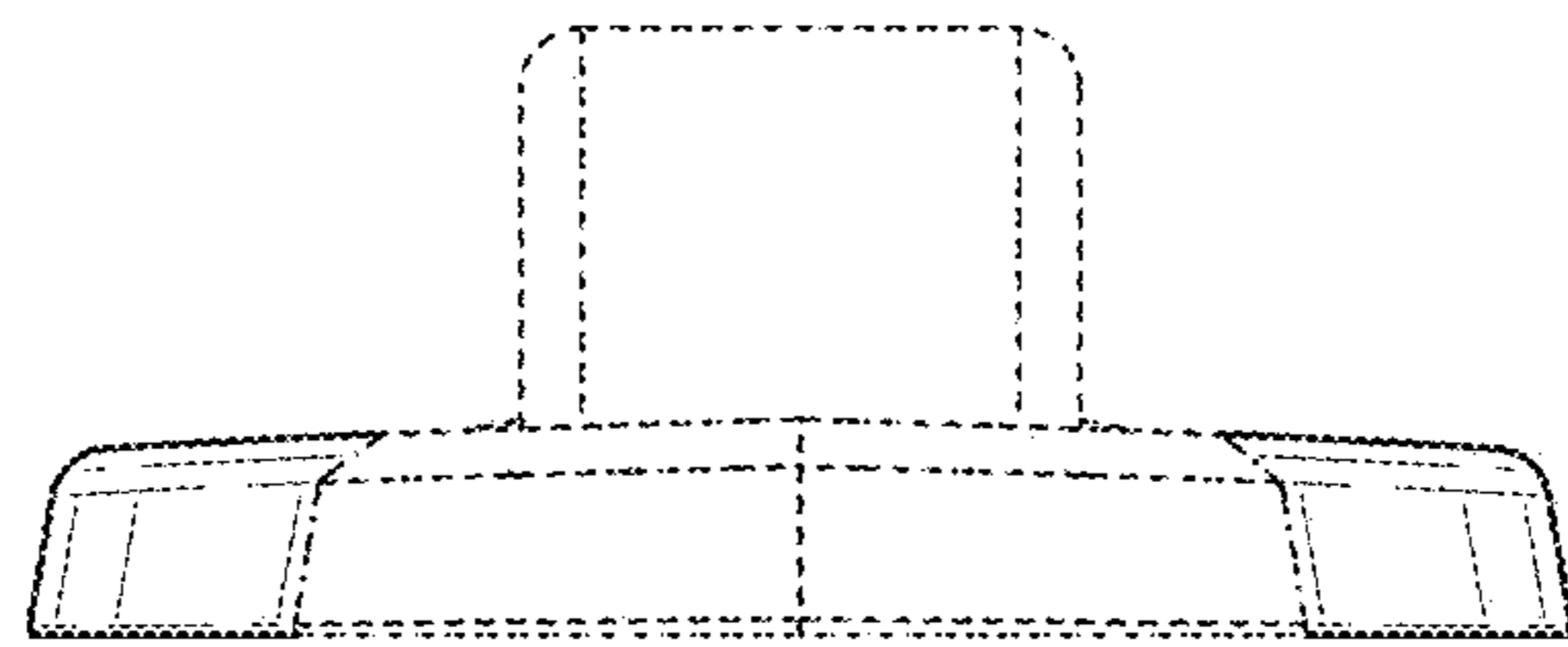


FIG. 3

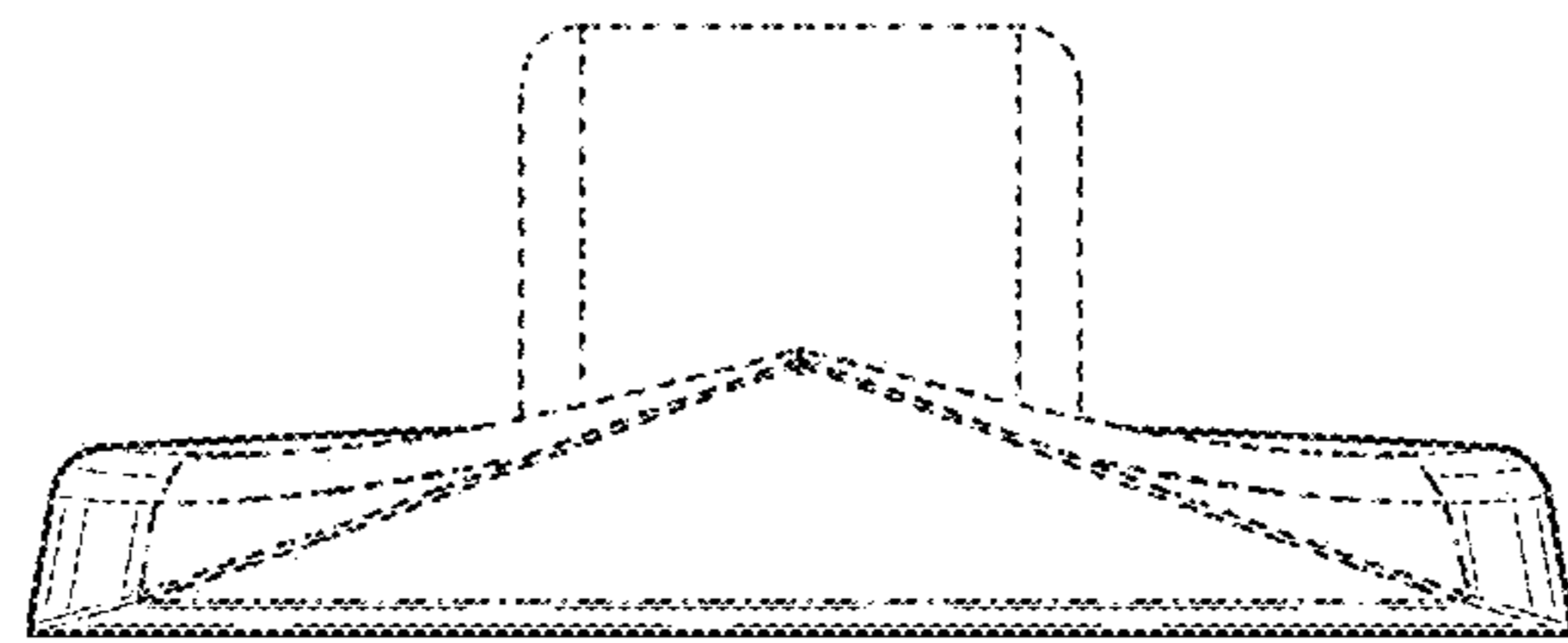


FIG. 4

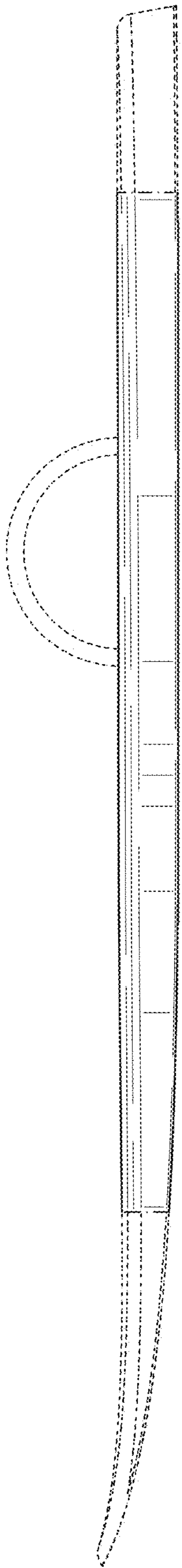


FIG. 5

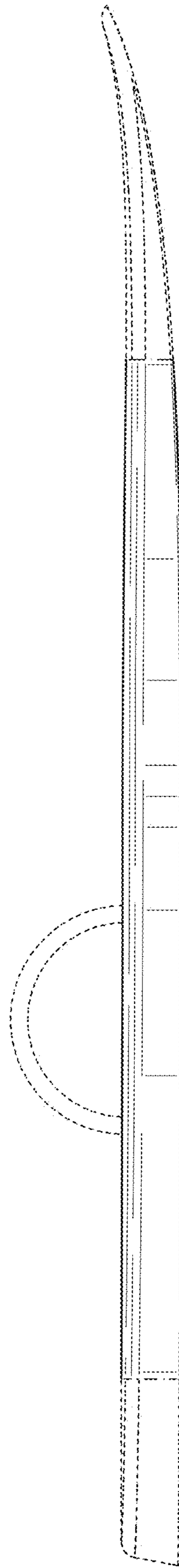


FIG. 6

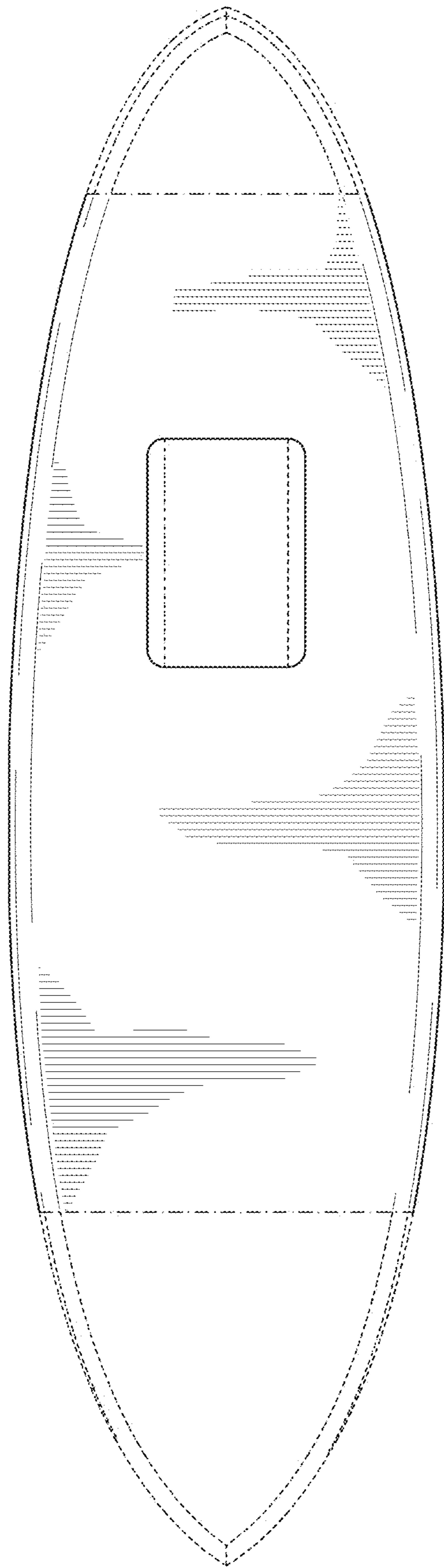


FIG. 7

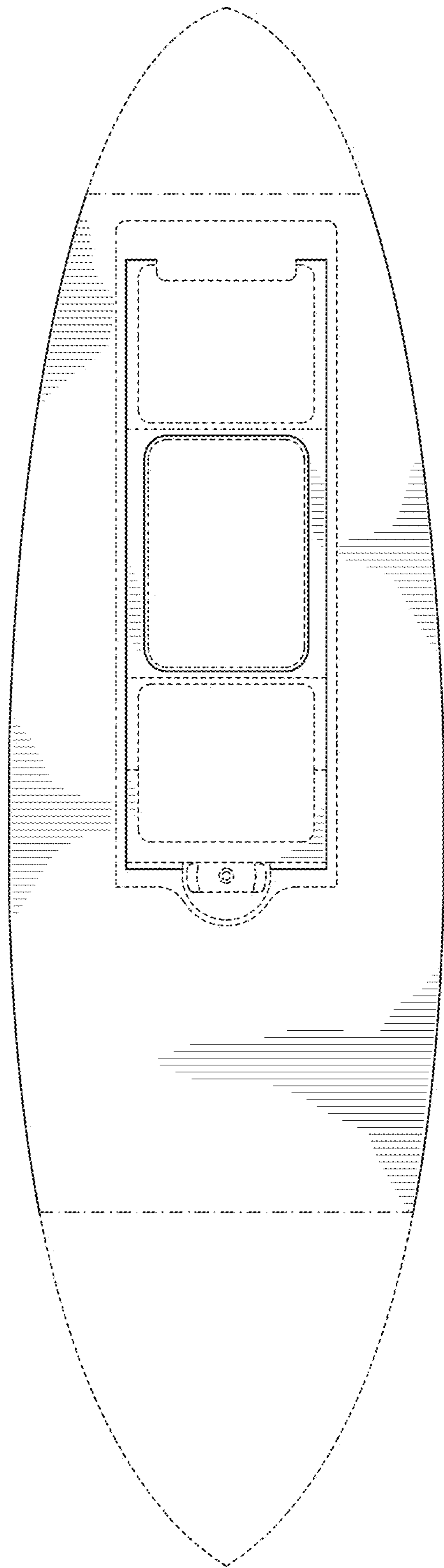


FIG. 8