



US00D927619S

(12) **United States Design Patent**  
**Andrews**

(10) **Patent No.:** **US D927,619 S**

(45) **Date of Patent:** **\*\* Aug. 10, 2021**

(54) **GOLF CLUB HEAD**

(71) Applicant: **PARSONS XTREME GOLF, LLC**,  
Scottsdale, AZ (US)

(72) Inventor: **Matthew T. Andrews**, Tempe, AZ (US)

(73) Assignee: **PARSONS XTREME GOLF, LLC**,  
Scottsdale, AZ (US)

(\*\*) Term: **15 Years**

(21) Appl. No.: **29/714,587**

(22) Filed: **Nov. 25, 2019**

**Related U.S. Application Data**

(63) Continuation-in-part of application No. 29/702,704,  
filed on Aug. 21, 2019, now abandoned.

(51) **LOC (13) Cl.** ..... **21-02**

(52) **U.S. Cl.**  
USPC ..... **D21/736**

(58) **Field of Classification Search**  
USPC ..... D21/736-746, 759  
CPC ..... A63B 53/00; A63B 53/04; A63B 53/007;  
A63B 53/065; A63B 53/0487; A63B  
60/00; A63B 60/46  
See application file for complete search history.

(56) **References Cited**

**U.S. PATENT DOCUMENTS**

RE19,178 E	5/1934	Spiker
4,043,562 A	8/1977	Shillington
4,340,230 A	7/1982	Churchward
4,754,977 A	7/1988	Sahm
4,869,507 A	9/1989	Sahm
4,964,641 A	10/1990	Miesch et al.
D335,317 S	5/1993	Shearer
D335,692 S	5/1993	Antonious
D336,757 S	6/1993	Antonious

5,275,412 A	1/1994	Innes
D350,582 S	9/1994	Miansian et al.
5,429,366 A	7/1995	McCabe
D363,101 S	10/1995	Sturm

(Continued)

**FOREIGN PATENT DOCUMENTS**

JP	2004223184 A	8/2004
JP	2005160691 A	6/2005

(Continued)

**OTHER PUBLICATIONS**

U.S. Appl. No. 29/523,587, Schweigert, "Golf Club Head," filed  
Apr. 10, 2015.

(Continued)

*Primary Examiner* — Mitchell I. Siegel

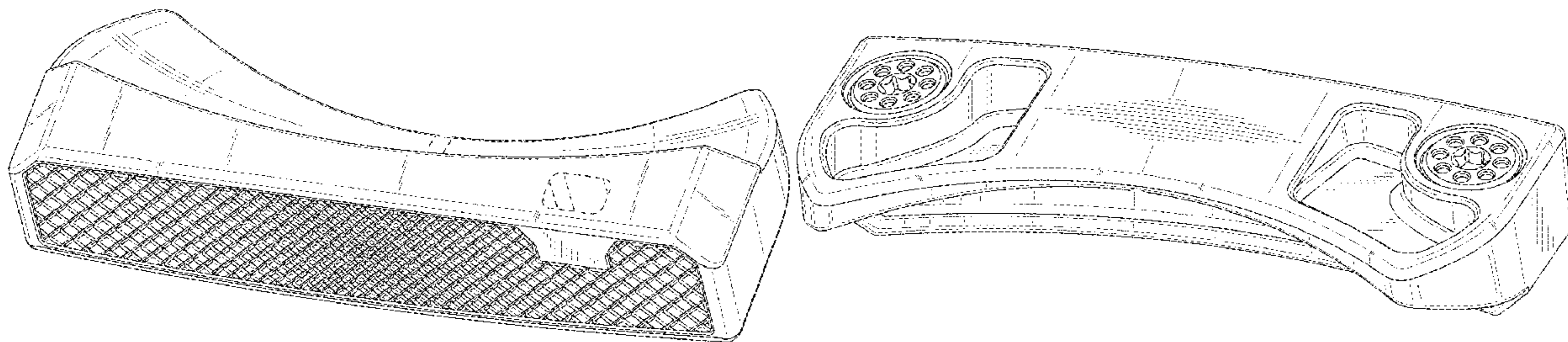
(57) **CLAIM**

The ornamental design for a golf club head, as shown and  
described.

**DESCRIPTION**

FIG. 1 is a top perspective view of a golf club head;  
FIG. 2 is a bottom perspective view of the golf club head of  
FIG. 1;  
FIG. 3 is a front elevational view of the golf club head of  
FIG. 1;  
FIG. 4 is a rear elevational view of the golf club head of FIG.  
1;  
FIG. 5 is a top view of the golf club head of FIG. 1;  
FIG. 6 is a bottom view of the golf club head of FIG. 1;  
FIG. 7 is a left side view of the golf club head of FIG. 1; and,  
FIG. 8 is a right side view of the golf club head of FIG. 1.  
The broken lines shown on the drawings form no part of the  
claimed design.

**1 Claim, 4 Drawing Sheets**





(56)

References Cited

U.S. PATENT DOCUMENTS

2006/0052178 A1 3/2006 Franklin et al.  
2006/0094522 A1 5/2006 Tang et al.  
2006/0223649 A1 10/2006 Rife  
2007/0129163 A1 6/2007 Solari  
2007/0135229 A1 6/2007 Lo et al.  
2007/0142122 A1 6/2007 Bonneau  
2007/0207875 A1 9/2007 Kuan et al.  
2007/0238548 A1 10/2007 Johnson  
2008/0139333 A1 6/2008 Klein  
2008/0146372 A1 6/2008 John  
2008/0176672 A1 7/2008 Roach et al.  
2009/0029800 A1 1/2009 Jones et al.  
2010/0255922 A1 10/2010 Lueders  
2011/0165959 A1 7/2011 Klein  
2013/0165256 A1 6/2013 Stevenson  
2013/0210537 A1 8/2013 Ainscough et al.  
2014/0045607 A1\* 2/2014 Hilton ..... A63B 53/065  
473/332  
2015/0057100 A1 2/2015 Serrano  
2015/0258390 A1 9/2015 DeFrancesco, Jr.  
2015/0306477 A1 10/2015 Parsons et al.

2016/0016050 A1 1/2016 Rife  
2018/0001163 A1 1/2018 Becktor et al.  
2018/0311545 A1\* 11/2018 Lambeth ..... B23P 15/00  
2019/0091527 A1\* 3/2019 Serrano ..... A63B 60/54

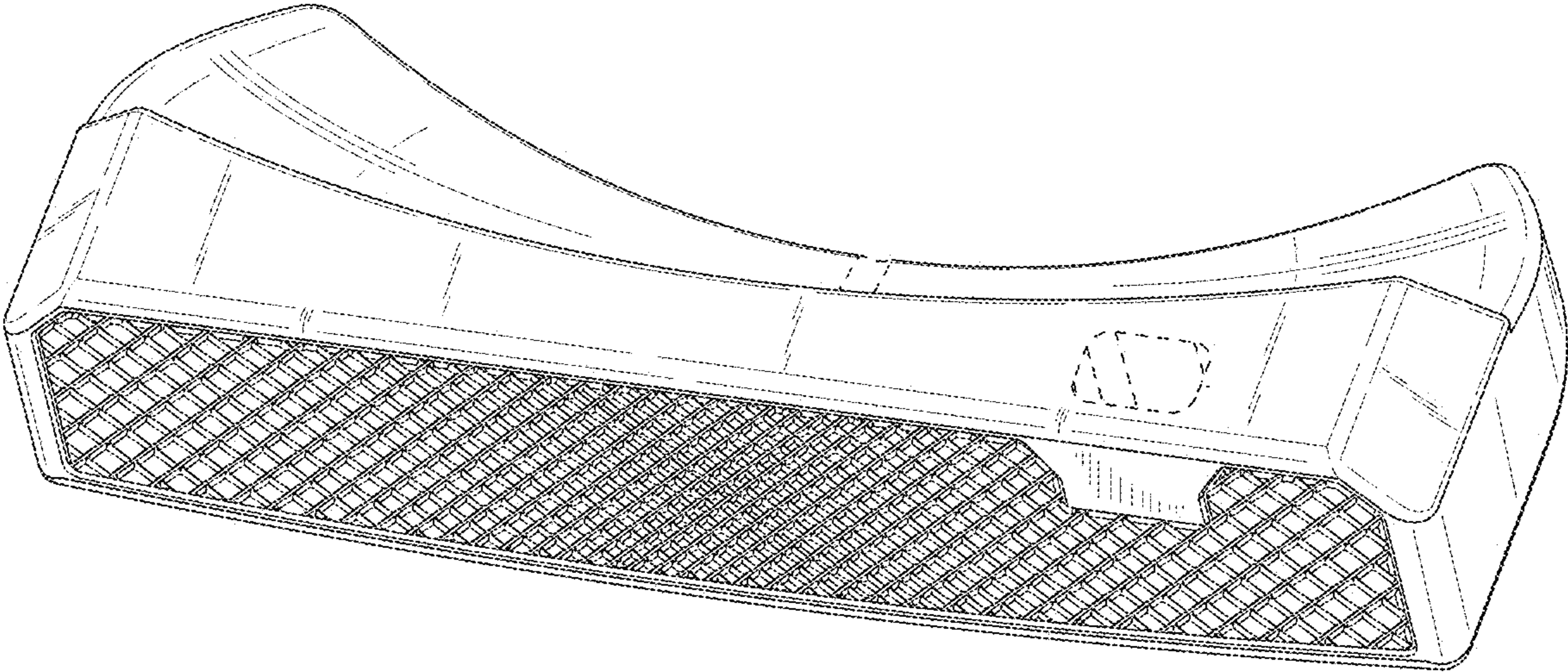
FOREIGN PATENT DOCUMENTS

KR 200377377 Y1 3/2005  
KR 200403045 Y1 12/2005  
KR 20100065481 A 6/2010  
KR 101773069 B1 8/2017

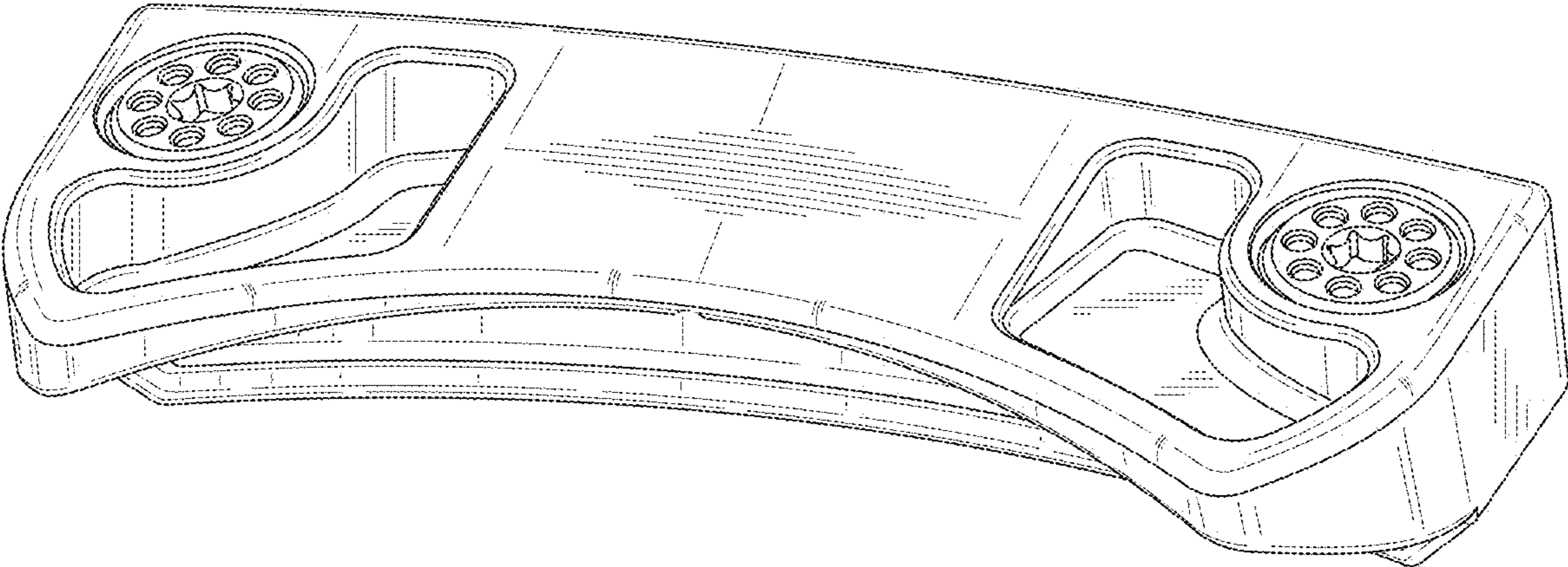
OTHER PUBLICATIONS

TourSpecGolf(Golds Factory Multi Weighted Custom Putter) [online].  
Nov. 20, 2010 [retrieved Apr. 26, 2016] Retrieved from the internet:  
URL: [http://www .tourspecgolf .com/blog/golds-factory-multi-weighted-custom-putter/](http://www.tourspecgolf.com/blog/golds-factory-multi-weighted-custom-putter/).  
Plugged In Golf (2015 Bettinardi Putters Review) [online]. Mar. 3, 2015 [retrieve Nov. 25, 2019] Retrieve from the internet: URL: <https://pluggedingolf.com/2015-bettinardi-putters-review/>.

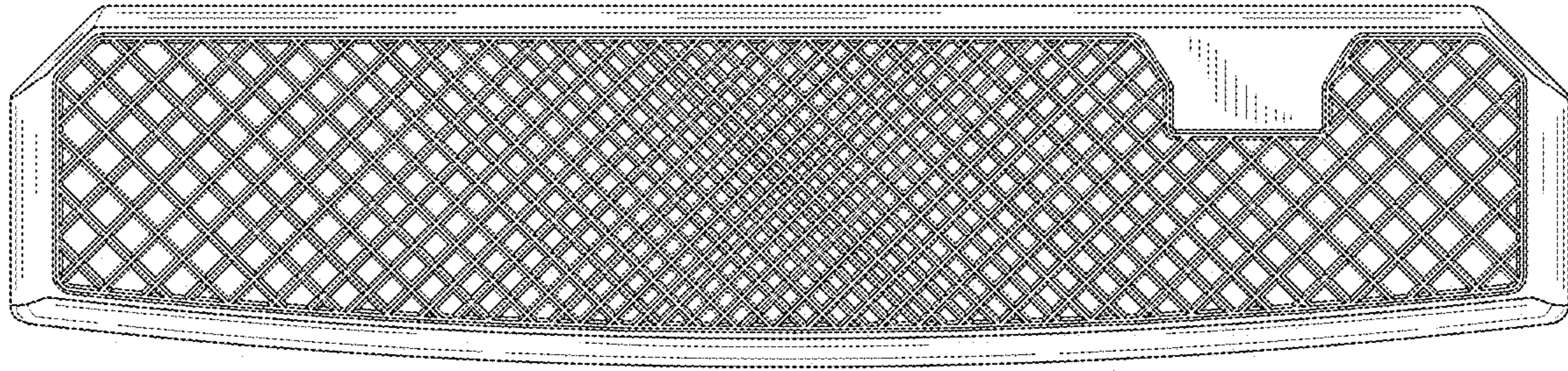
\* cited by examiner



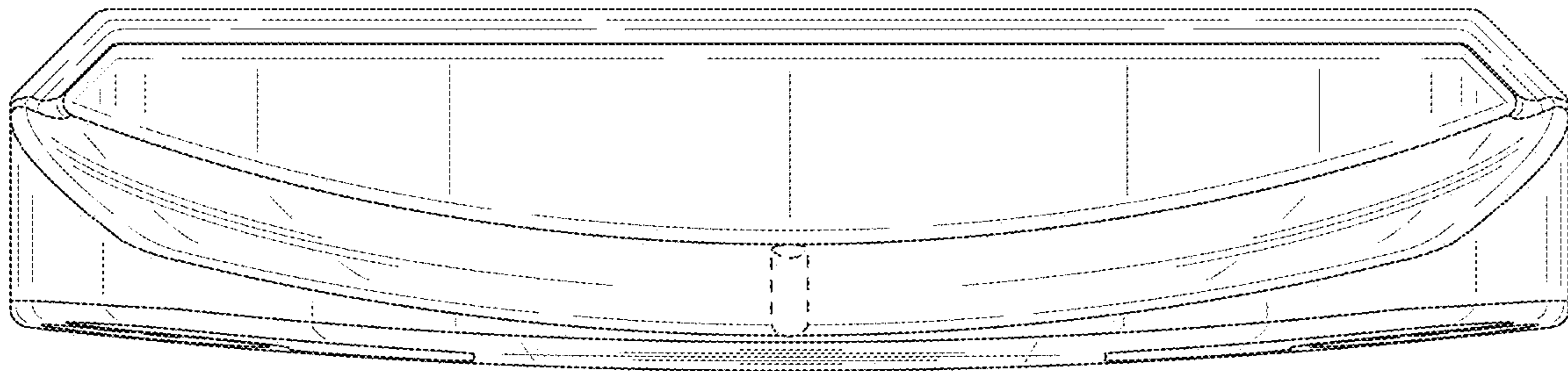
**FIG. 1**



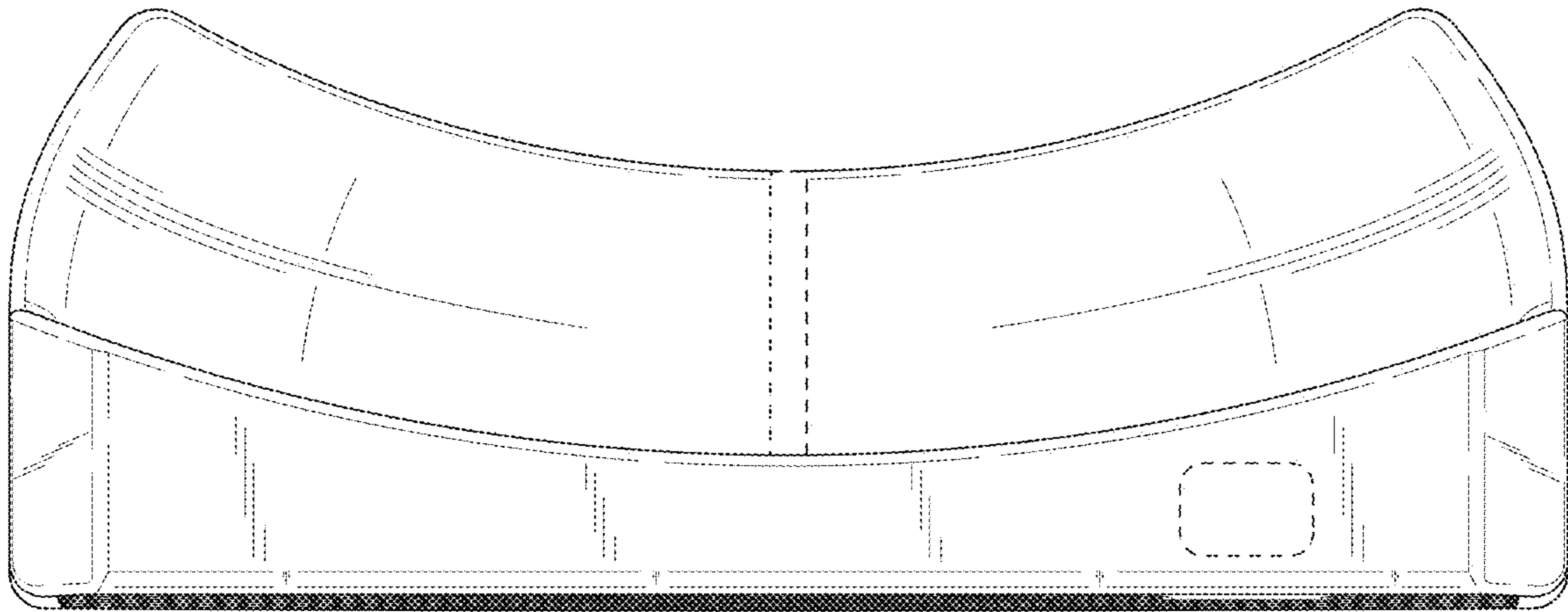
**FIG. 2**



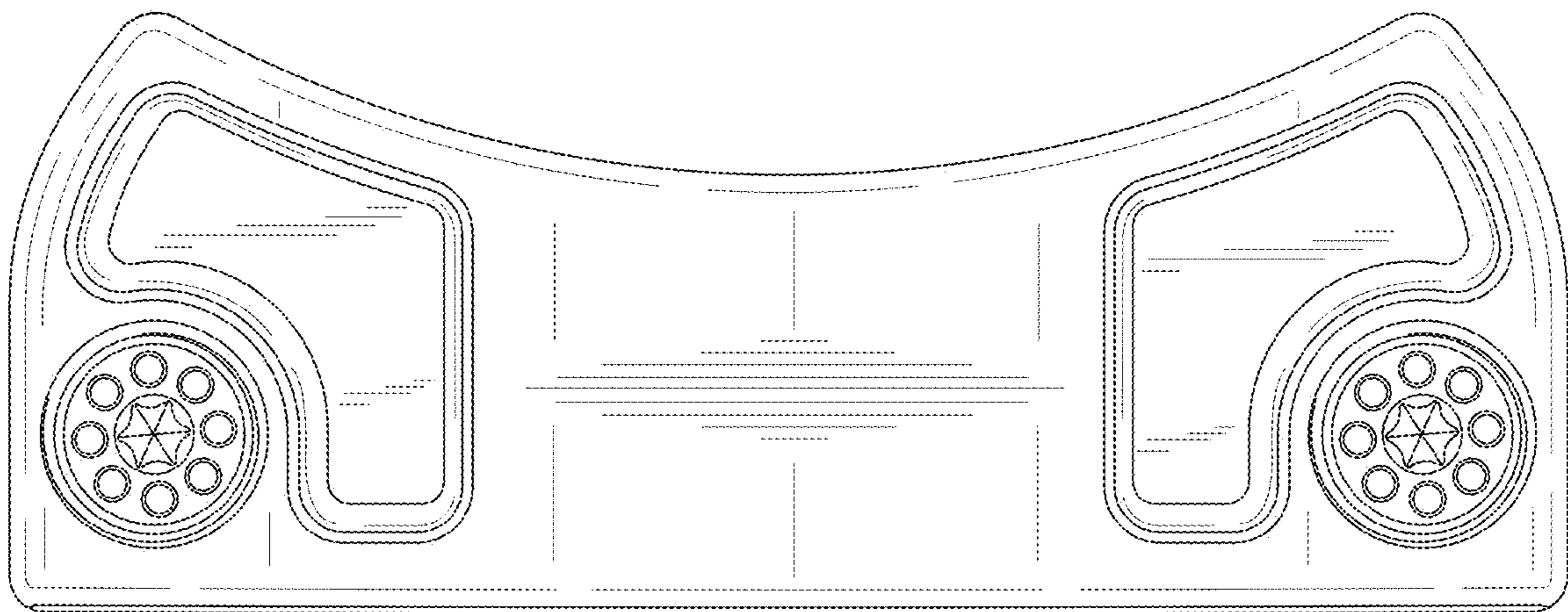
**FIG. 3**



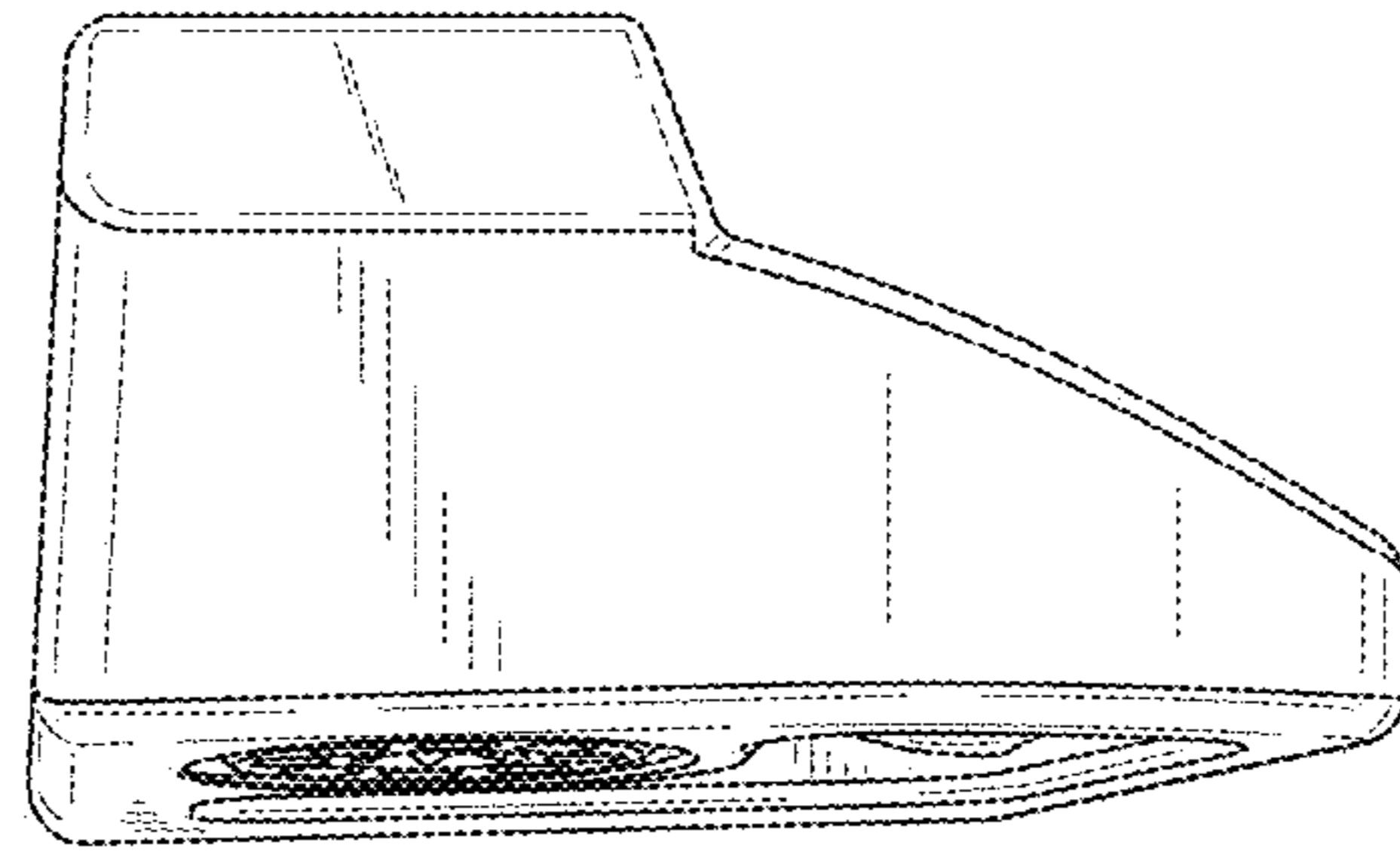
**FIG. 4**



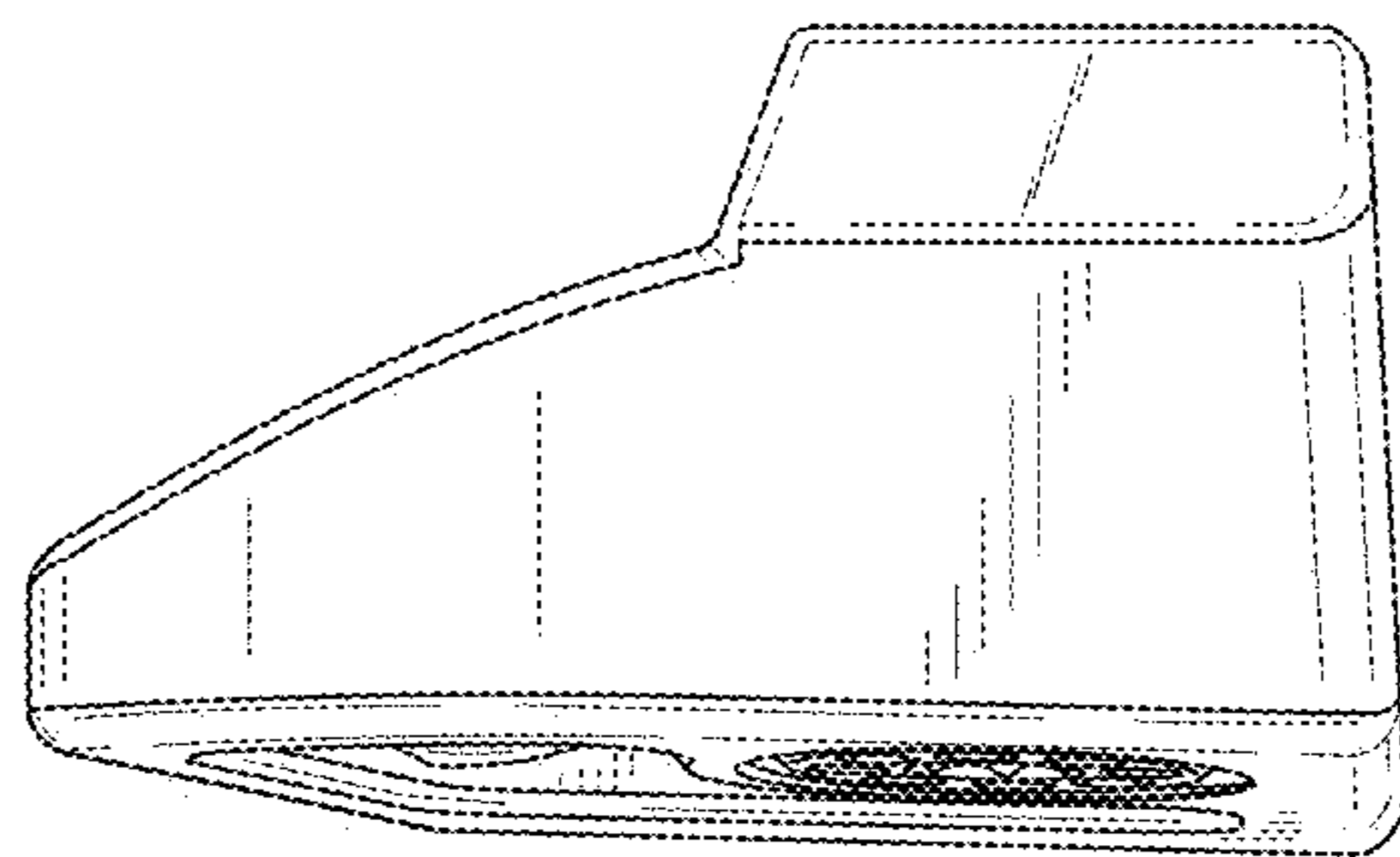
**FIG. 5**



**FIG. 6**



**FIG. 7**



**FIG. 8**