



US00D927616S

(12) **United States Design Patent**  
**Horita et al.**

(10) **Patent No.:** **US D927,616 S**

(45) **Date of Patent:** **\*\* \*Aug. 10, 2021**

(54) **FITNESS DEVICE DISPLAY PANEL**

(71) Applicant: **PELOTON INTERACTIVE, INC.**,  
New York, NY (US)

(72) Inventors: **Sean K. Horita**, Woodinville, WA  
(US); **Elijah E. Hooper**, Seattle, WA  
(US)

(73) Assignee: **Peloton Interactive, Inc.**, New York,  
NY (US)

(\*) Notice: This patent is subject to a terminal dis-  
claimer.

(\*\*) Term: **15 Years**

(21) Appl. No.: **29/701,906**

(22) Filed: **Aug. 15, 2019**

(51) **LOC (13) Cl.** ..... **21-01**

(52) **U.S. Cl.**  
USPC ..... **D21/696**

(58) **Field of Classification Search**  
USPC ..... D21/324–325, 662–663, 666–668, 670,  
D21/696, 686, 694  
See application file for complete search history.

(56) **References Cited**

**U.S. PATENT DOCUMENTS**

D408,477 S	4/1999	Arnold et al.	
D410,978 S	6/1999	Littrell et al.	
D412,192 S	7/1999	Birrell et al.	
D427,156 S	6/2000	Arnold et al.	
D429,781 S	8/2000	Arnold et al.	
D438,579 S *	3/2001	Arnold	D21/696
D439,289 S	3/2001	Moran et al.	
D440,612 S	4/2001	Arnold et al.	
6,388,877 B1 *	5/2002	Canova, Jr.	G06F 1/1626 312/223.2
D464,689 S	10/2002	May et al.	

(Continued)

**OTHER PUBLICATIONS**

“P62 860 Line Cardio Console” Nov. 15, 2016, site visited Sep. 2,  
2020: <https://web.archive.org/web/20161115032941/https://www.precor.com/en-us/commercial/cardio/consoles/p62> (Year: 2016).\*

(Continued)

*Primary Examiner* — Michael C Stout

*Assistant Examiner* — Melvin L Davis

(74) *Attorney, Agent, or Firm* — Haynes and Boone, LLP

(57) **CLAIM**

We claim the ornamental design for a fitness device display panel, as shown and described.

**DESCRIPTION**

FIG. 1 is a front, side perspective view of a fitness device display panel;

FIG. 2 is a rear, side perspective view of the fitness device display panel of FIG. 1;

FIG. 3 is a front view of the fitness device display panel of FIG. 1;

FIG. 4 is a rear view of the fitness device display panel of FIG. 1;

FIG. 5 is a first side view of the fitness device display panel of FIG. 1;

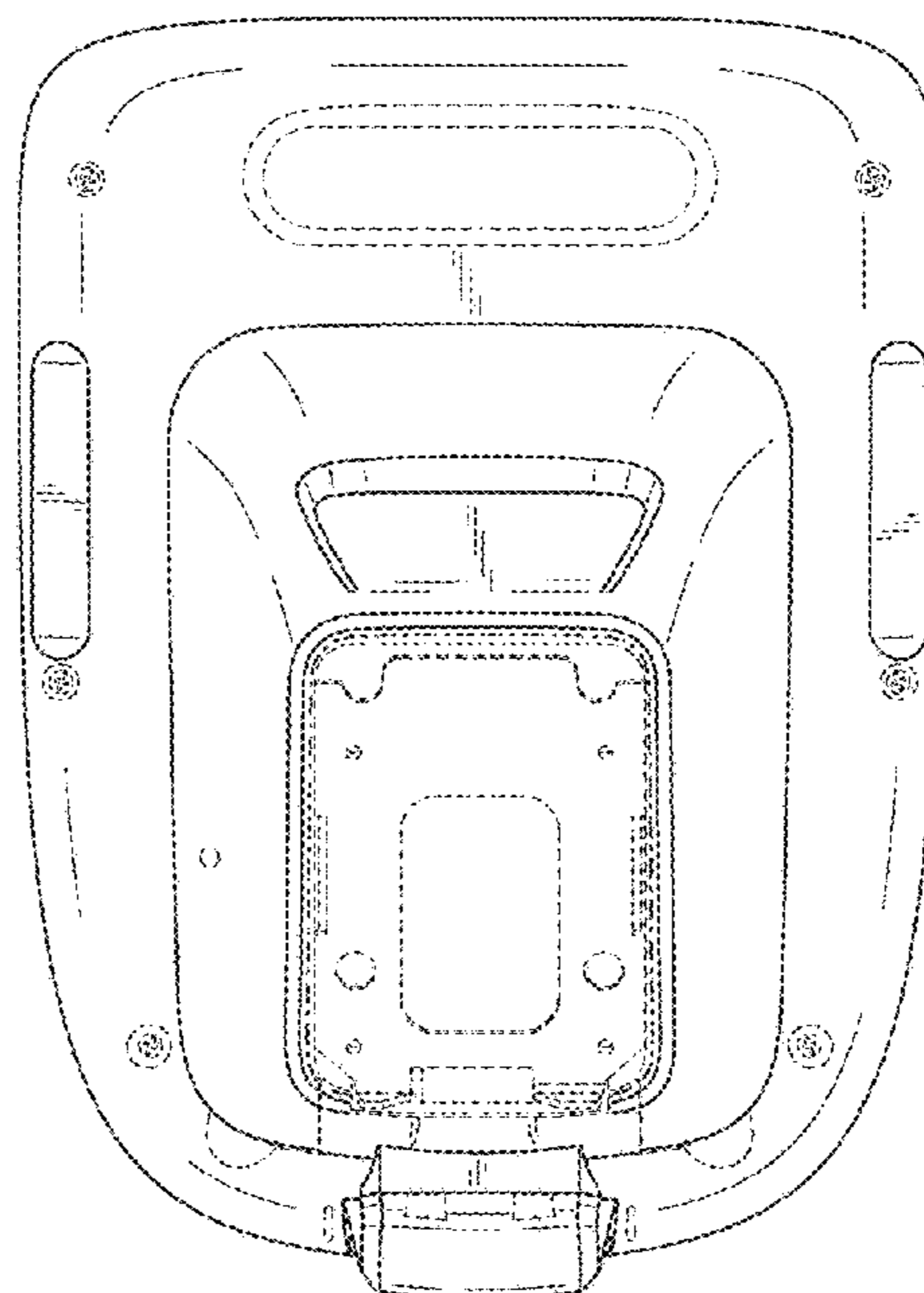
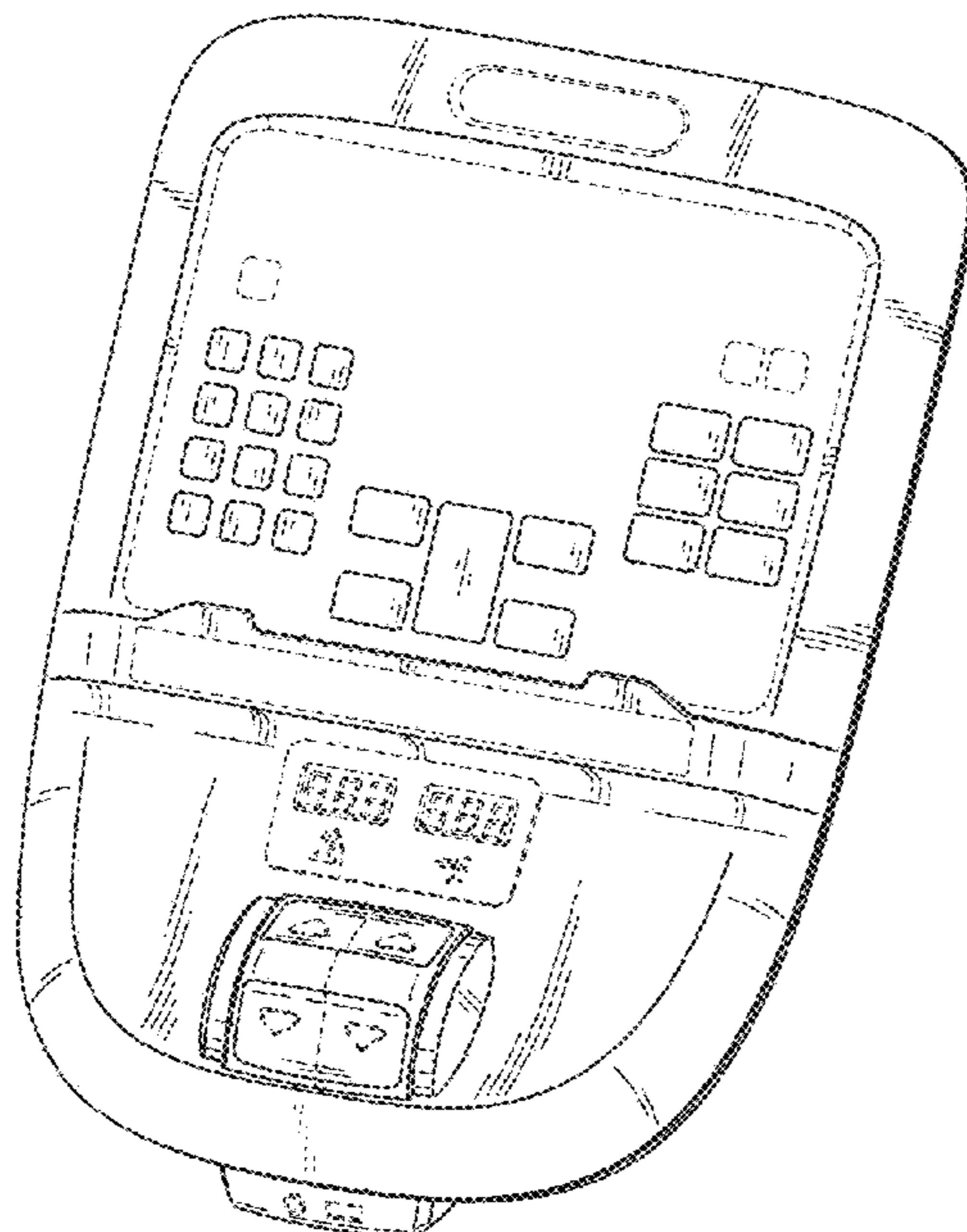
FIG. 6 is a second side view of the fitness device display panel of FIG. 1;

FIG. 7 is a top view of the fitness device display panel of FIG. 1; and,

FIG. 8 is a bottom view of the fitness device display panel of FIG. 1.

The ornamental design that is claimed is shown in solid lines in the drawings. The dashed lines shown in FIGS. 1 through 8 are included for the purpose of illustrating environmental elements only and form no part of the claimed design.

**1 Claim, 7 Drawing Sheets**



(56)

**References Cited**

U.S. PATENT DOCUMENTS

D465,000 S 10/2002 Arnold et al.  
 D495,418 S \* 8/2004 Rounds ..... D24/169  
 D496,461 S \* 9/2004 Neel ..... D24/169  
 D504,953 S \* 5/2005 Ryan ..... D24/200  
 D522,657 S \* 6/2006 Murphy ..... D24/169  
 D546,404 S \* 7/2007 Chen ..... D21/696  
 D547,401 S 7/2007 Olason  
 D555,021 S \* 11/2007 Rounds ..... D10/78  
 D555,601 S 11/2007 Olason  
 D557,359 S 12/2007 Olason et al.  
 D557,360 S 12/2007 Olason et al.  
 D559,801 S 1/2008 Olason  
 D567,315 S 4/2008 Horita  
 D585,135 S \* 1/2009 Mori ..... D24/169  
 D589,098 S 3/2009 Horita  
 D591,368 S 4/2009 Olason  
 D597,301 S \* 8/2009 Richardson ..... D3/201

D612,274 S \* 3/2010 Heidemann ..... D10/78  
 D612,279 S \* 3/2010 Heidemann ..... D10/103  
 7,901,323 B2 3/2011 Olason et al.  
 D643,077 S 8/2011 Olason et al.  
 D643,484 S 8/2011 Olason et al.  
 D650,079 S \* 12/2011 Presta ..... D24/169  
 D651,264 S 12/2011 Olason et al.  
 D663,367 S 7/2012 Olason et al.  
 D696,404 S \* 12/2013 Golnik ..... D24/169  
 D700,702 S \* 3/2014 Kolb ..... D24/169  
 D712,431 S 9/2014 Stroupe et al.  
 D734,360 S \* 7/2015 Stroupe ..... D14/489

OTHER PUBLICATIONS

“Precor P82 Service Manual” Aug. 2016, site visited Oct. 16, 2020:  
<https://precor.mcoutput.com/114113/Content/PDF/P82ConsoleServiceManual-20039-181.pdf> (Year: 2016).\*

\* cited by examiner

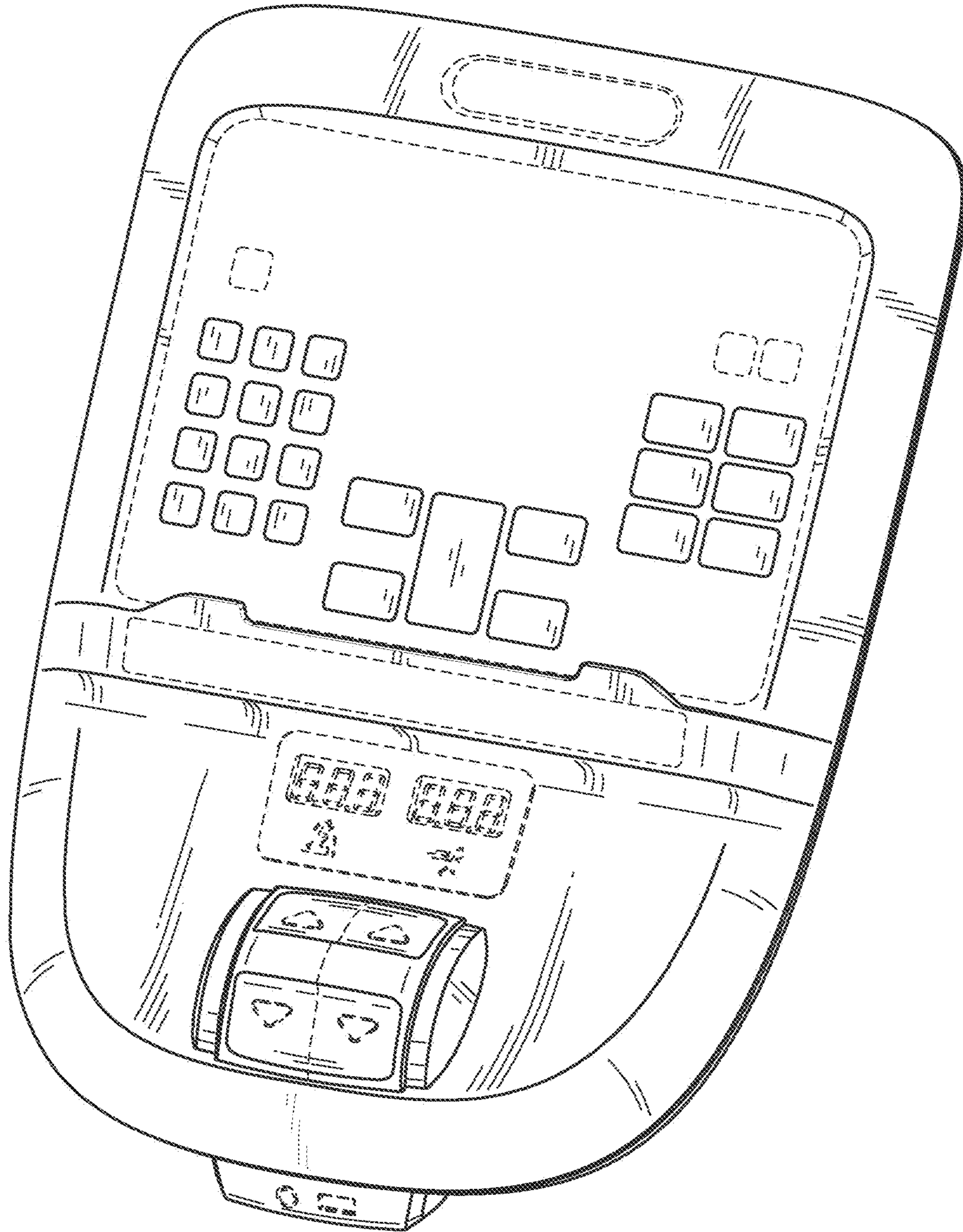


FIG. 1

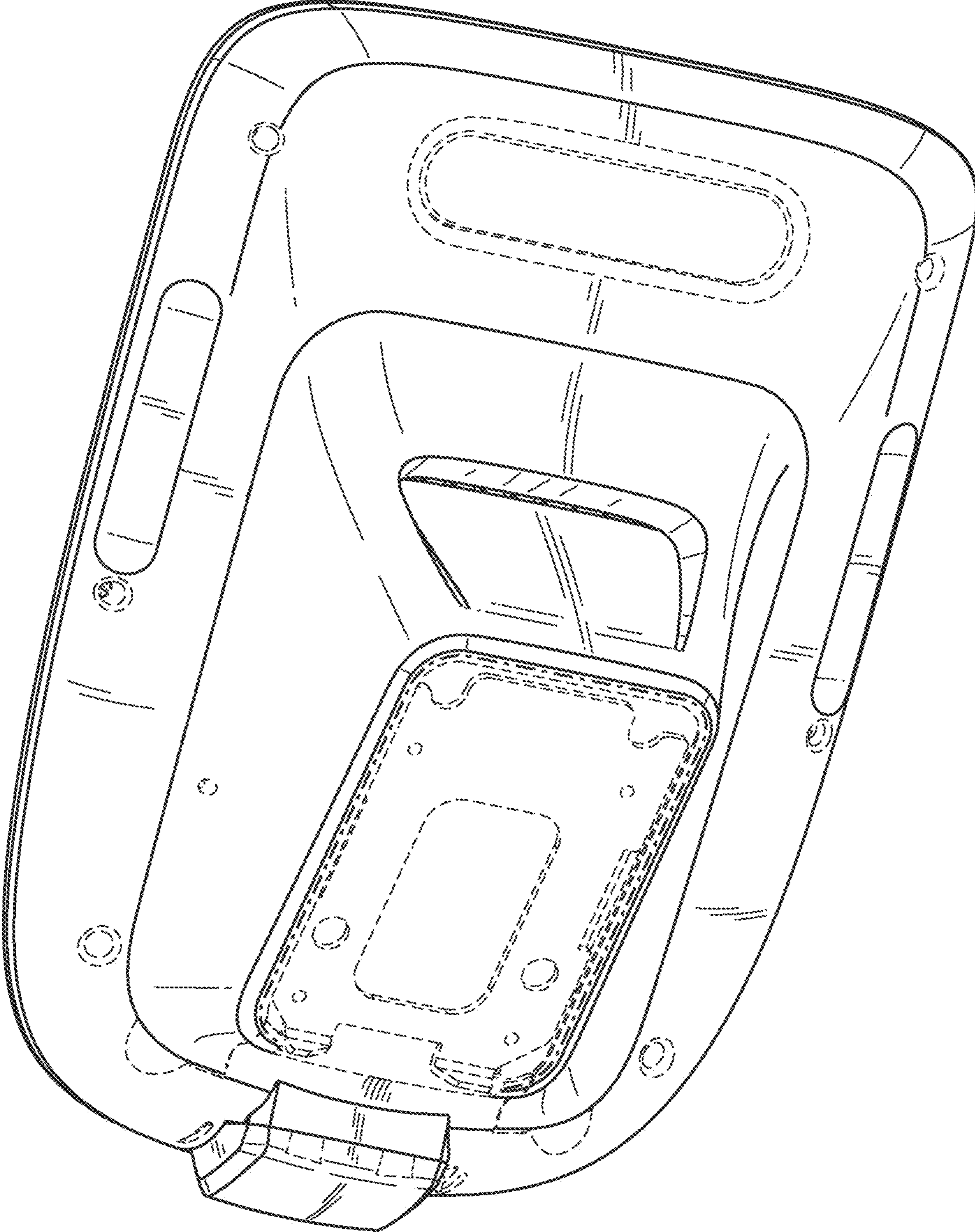


FIG. 2

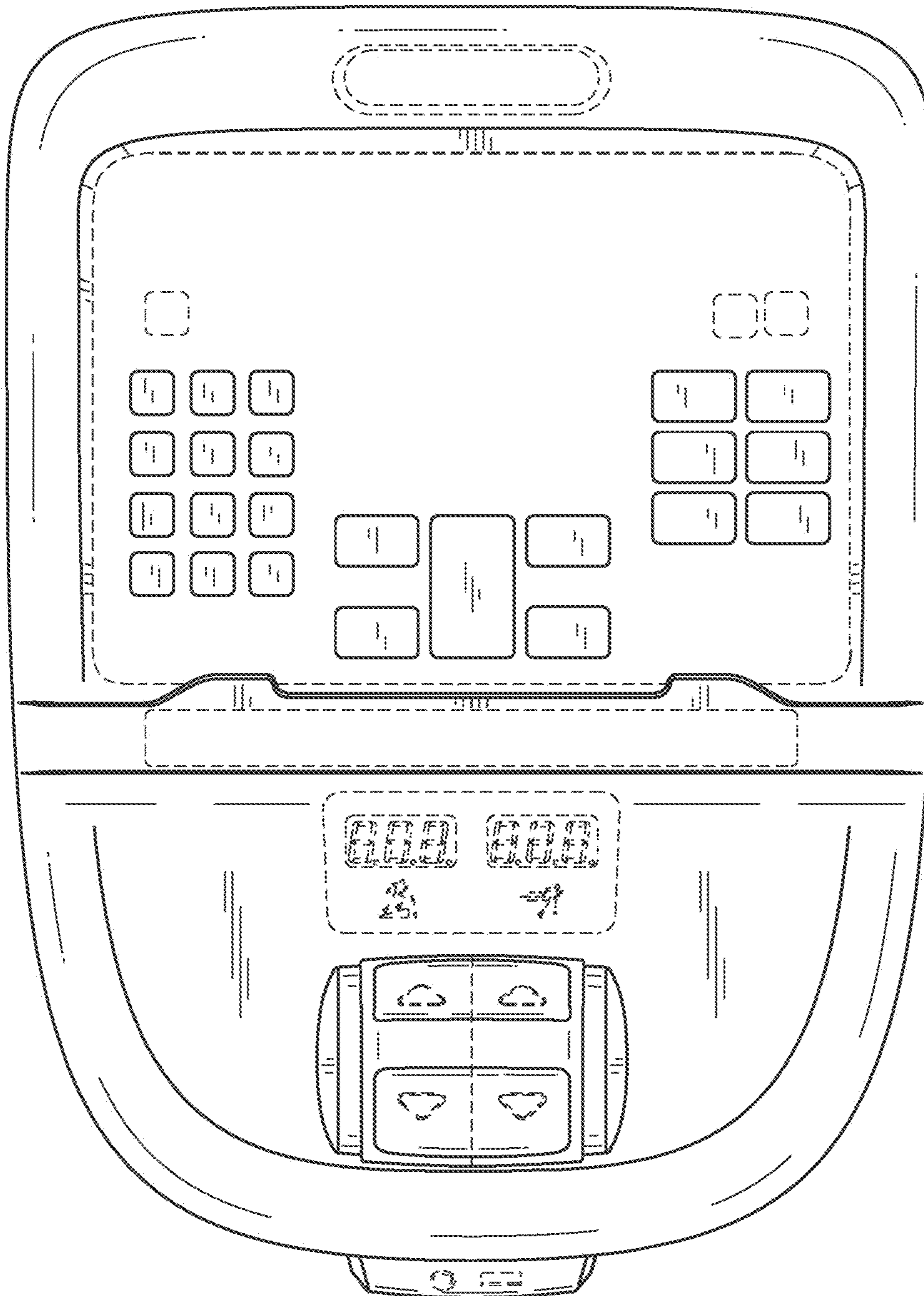


FIG. 3

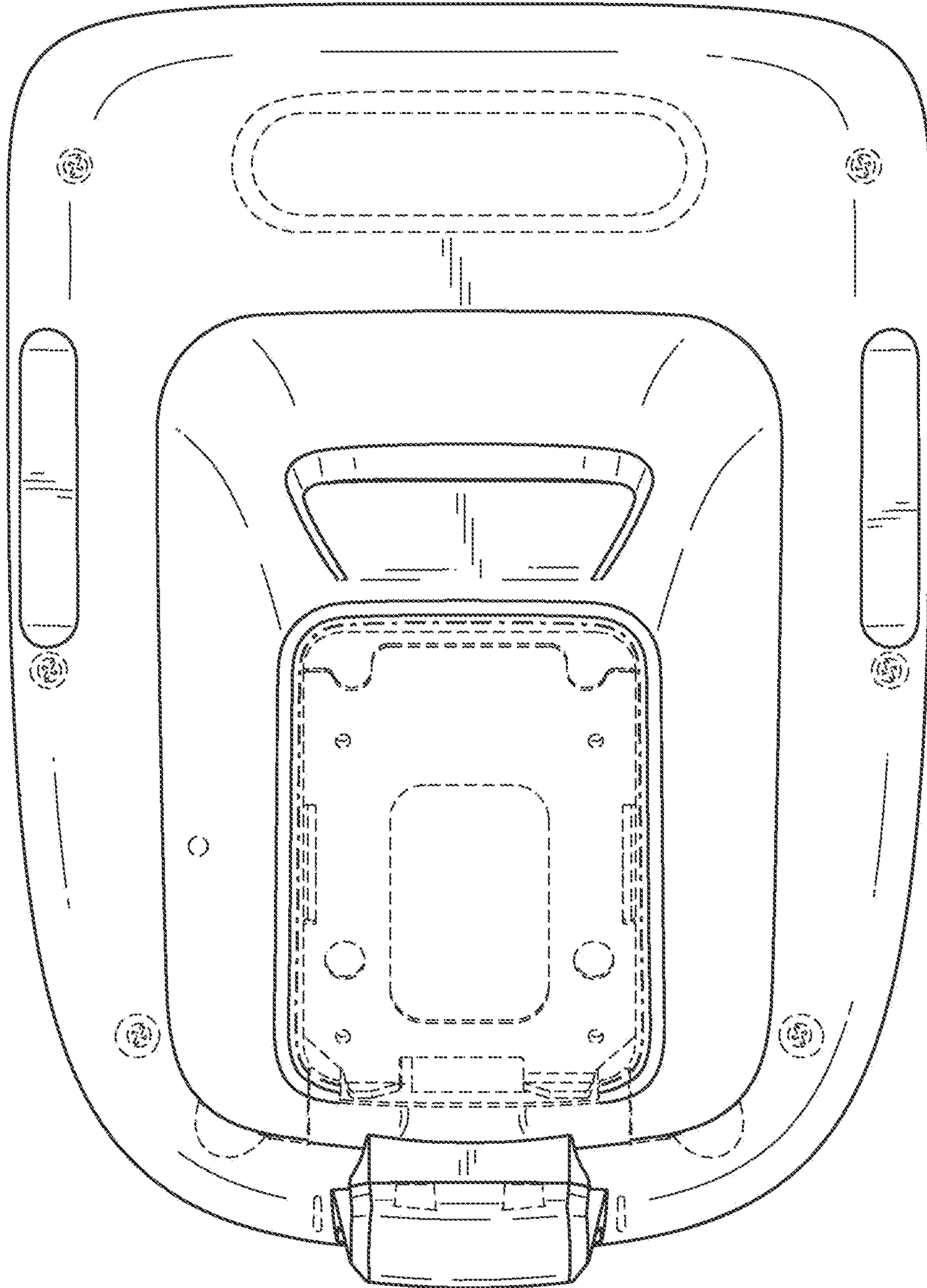


FIG. 4

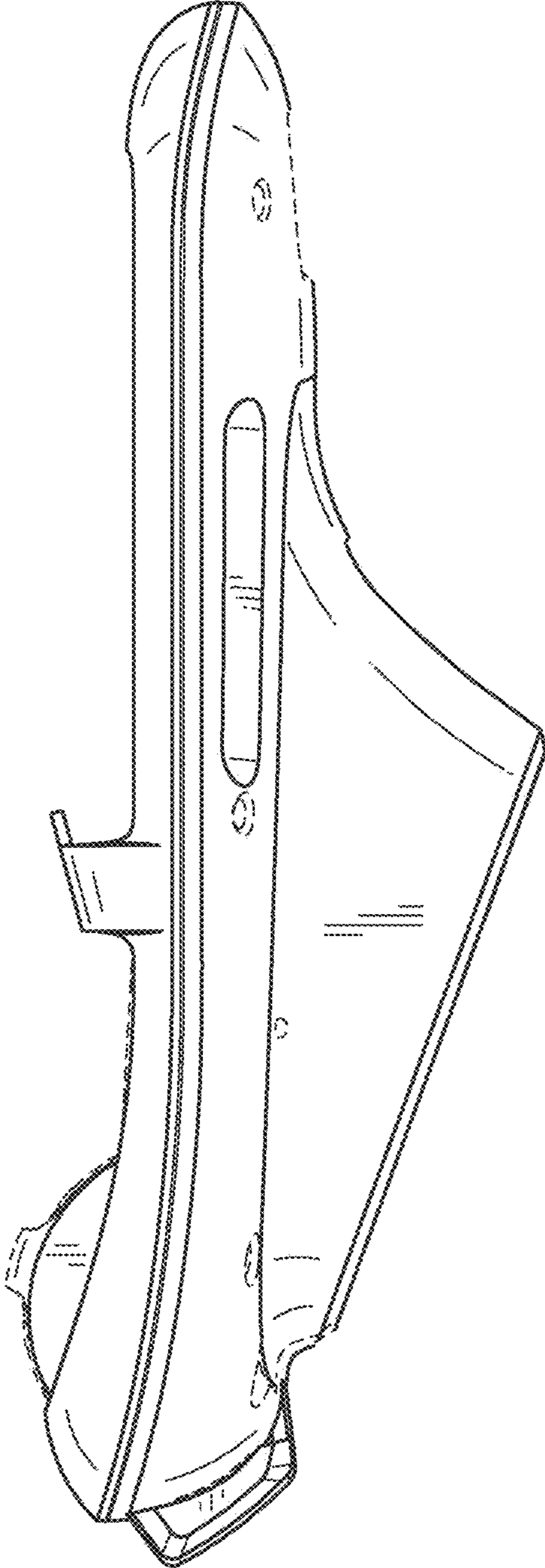


FIG. 5

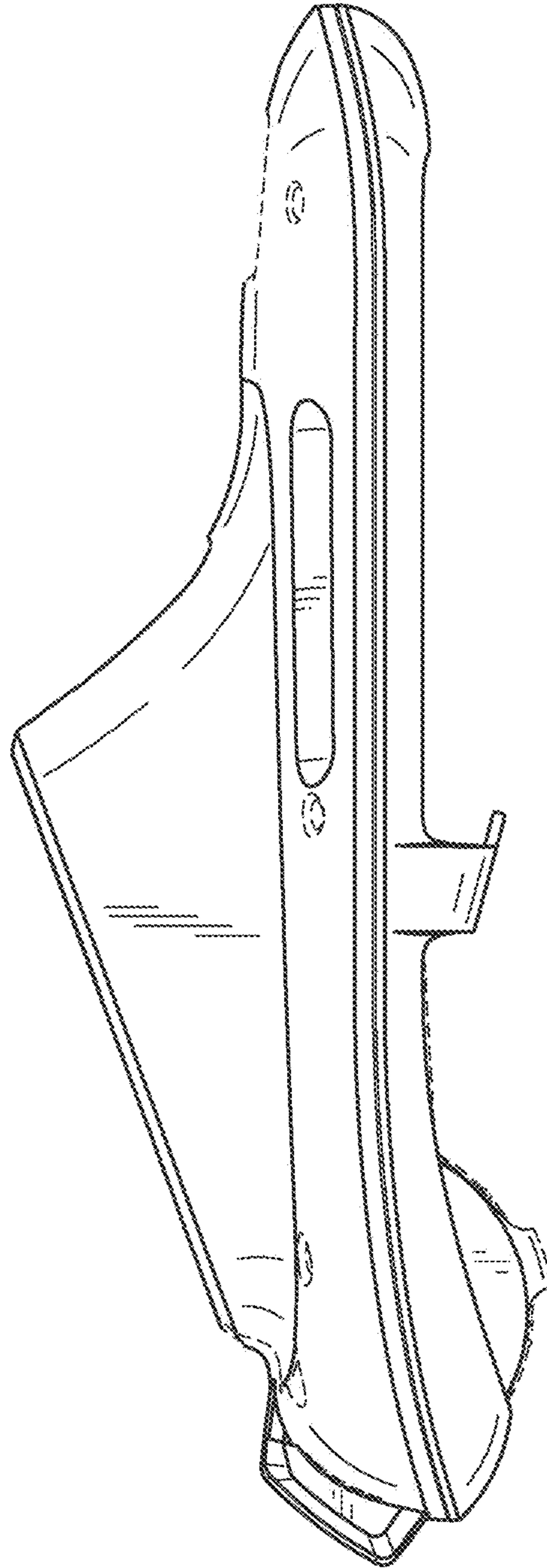


FIG.6



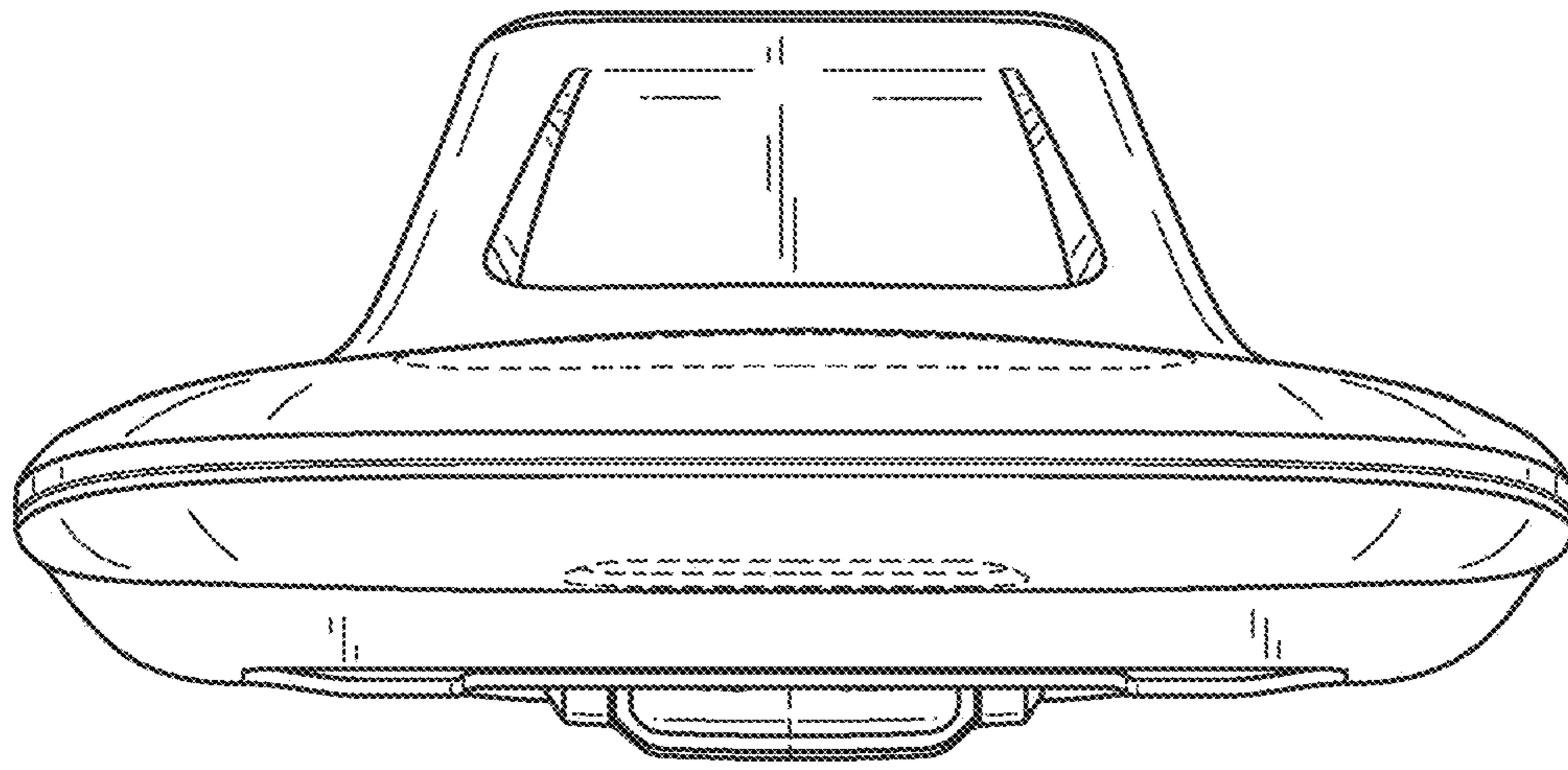


FIG. 7

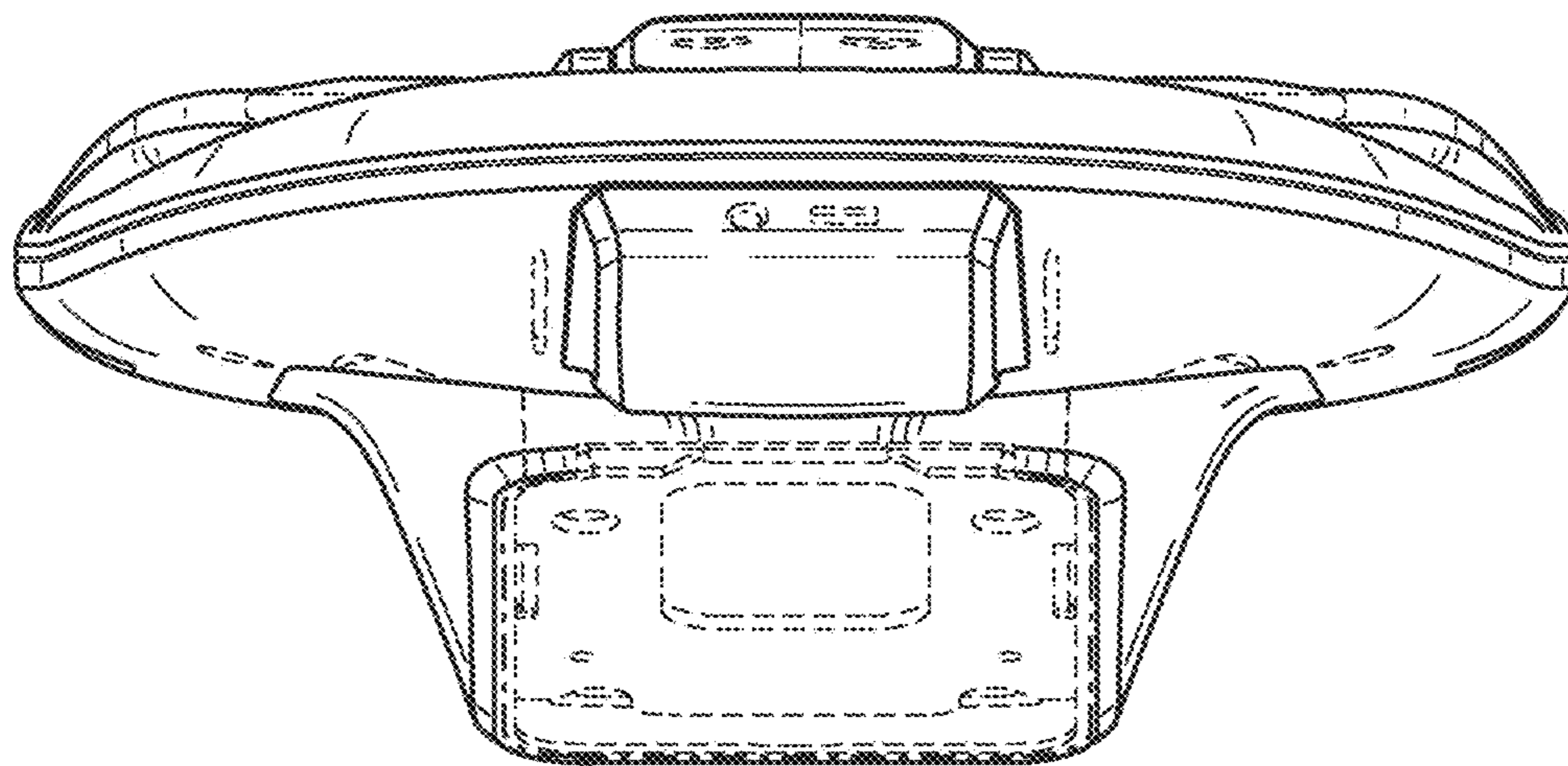


FIG. 8