



US00D927615S

(12) **United States Design Patent** (10) **Patent No.:** **US D927,615 S**
Leier et al. (45) **Date of Patent:** **** Aug. 10, 2021**

(54) **SEAT FOR AN EXERCISE DEVICE**

D661,619 S * 6/2012 Hadlow D11/216
D702,469 S * 4/2014 Hansen D6/716.1
D711,173 S * 8/2014 Liao D6/716.1

(Continued)

(71) Applicant: **Expectations, LLC**, Bonney Lake, WA (US)

(72) Inventors: **Christopher H. Leier**, Lake Tapps, WA (US); **Nicholas M. Soller**, Edgewood, WA (US); **Darrin M. Swagel**, Minnetonka, MN (US)

(73) Assignee: **Expectations, LLC**, Bonnie Lake, WA (US)

(**) Term: **15 Years**

(21) Appl. No.: **29/722,490**

(22) Filed: **Jan. 30, 2020**

(51) **LOC (13) Cl.** **21-02**

(52) **U.S. Cl.**
USPC **D21/695**

(58) **Field of Classification Search**
USPC D21/663, 419, 432, 435, 667, 666, 668, D21/690, 676, 691, 662, 675, 686, 687, D21/694, 695, 697; D12/108, 109, 111, D12/112, 113, 124, 178, 411, 345, 117, D12/133, 402, 407, 416, 432, 538, 663, D12/664, 667, 694, 695, 697, 824; D6/552, 716, 716.1
CPC A61H 1/0274; A63B 22/00; A63B 22/04; A63B 21/00; A63B 21/06

See application file for complete search history.

(56) **References Cited**

U.S. PATENT DOCUMENTS

D250,682 S * 1/1979 Craven D6/552
D286,346 S * 10/1986 Woods D6/611
D433,854 S * 11/2000 Diffrient D6/340
D446,032 S * 8/2001 Arcieri D6/354
D460,299 S * 7/2002 Lundsgaard D6/716.1
D592,543 S * 5/2009 Kolasa D11/216
D632,611 S * 2/2011 Buscart D11/216
D655,223 S * 3/2012 Hadlow D11/216

OTHER PUBLICATIONS

Everlasting comfort, announced [2016], [site visited Mar. 3, 2021]. Available from internet, URL: [\(Continued\)](https://www.amazon.com/Everlasting-Comfort-Cushion-Designed-Tailbone/dp/B01EBDV9BU/ref=sr_1_1_sspa?dchild=1&keywords=ergonomic+seat+cushion&qid=1614807282&sr=8-1-spons&psc=1&smid=A1WFZRQPDGQ55T&spLa=ZW5jcnl (Year: 2016) wdGVkUXVhbGlmaWVyPUEwODg1OTM1QkVGVkk5TVhNTEhYmVuY3J5cHRIZEIkPUEwODg1OTM1QkVGTQ1NPNzQxWEk5JndpZGldE5hbWU9c3BfYXRmJmFjdGlvbj1jbGlja1JIZGIyZWNoJmRvTm90TG9nQ2xpY2s9dHJ1ZQ== (Year: 2016).*</p></div>
<div data-bbox=)

Primary Examiner — Khawaja Anwar
Assistant Examiner — Julice Seung Eun Oum
(74) *Attorney, Agent, or Firm* — Dicke, Billig & Czaja, PLLC

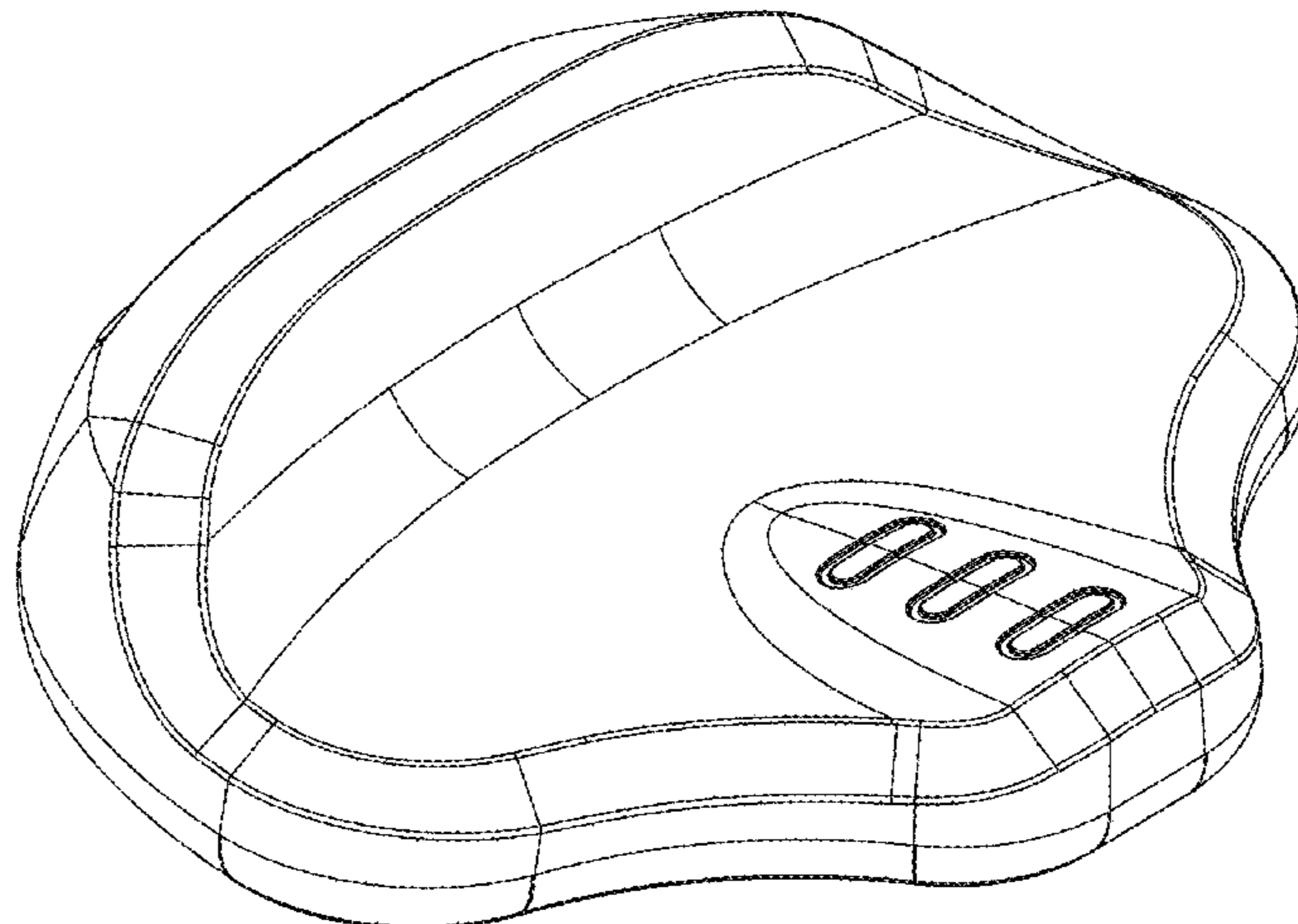
(57) **CLAIM**

The ornamental design for a seat for an exercise device, as shown and described.

DESCRIPTION

FIG. 1 is a front elevational view of a seat for an exercise device showing my new design;
FIG. 2 is a rear elevational view thereof;
FIG. 3 is a left side elevational view thereof;
FIG. 4 is a right side elevational view thereof;
FIG. 5 is a top plan view thereof;
FIG. 6 is a front perspective view thereof; and,
FIG. 7 is a perspective view thereof on an exercise device.
The bottom plan view is not visible during normal use.

(Continued)



Those portions of the exercise device shown in broken lines are included to denote nature and environmental use of the claimed design and form no part of the claimed design.

1 Claim, 7 Drawing Sheets

(56) **References Cited**

U.S. PATENT DOCUMENTS

D738,782 S * 9/2015 Farmer D11/216
D775,862 S * 1/2017 Chen D6/601
D782,849 S * 4/2017 Goddard D6/601
D815,861 S * 4/2018 Kassab Arabo D6/601
D830,753 S * 10/2018 Waterhouse D6/716.1
D843,134 S * 3/2019 Goddard D6/601
D856,014 S * 8/2019 Jalkanen D6/354
D888,611 S * 6/2020 Anthony D11/216
2017/0246497 A1* 8/2017 Barsoe A63B 69/06
2019/0185089 A1* 6/2019 Pruitt B62J 1/005
2021/0000672 A1* 1/2021 Cortese A61G 13/009

OTHER PUBLICATIONS

Teeter; FreeStep Elliptical Recumbent Cross Trainer Assembly Instructions & User Guide; 19 pages; 2017.

Teeter; FreeStep Recumbent Cross Trainer screengrab; 5 pages; accessed Dec. 17, 2019; <https://teeter.com/product/freestep/#specs>.

* cited by examiner

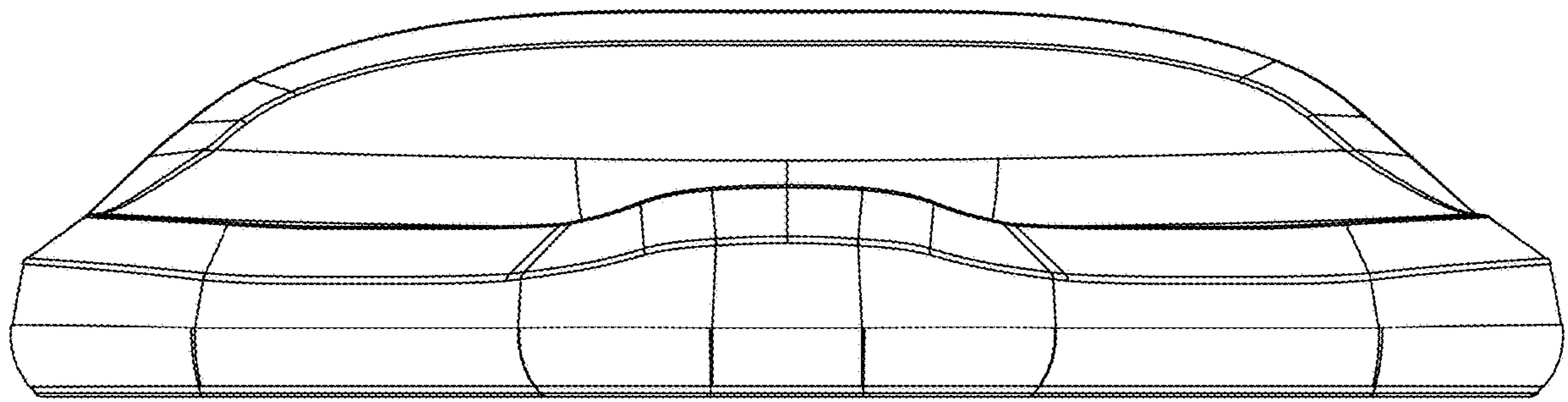


Fig. 1

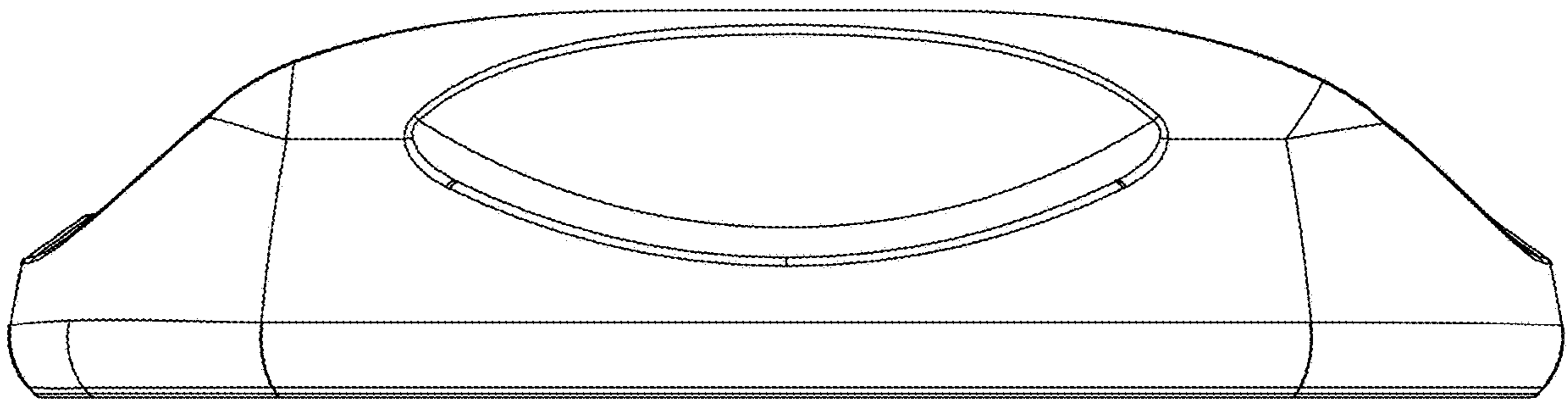


Fig. 2

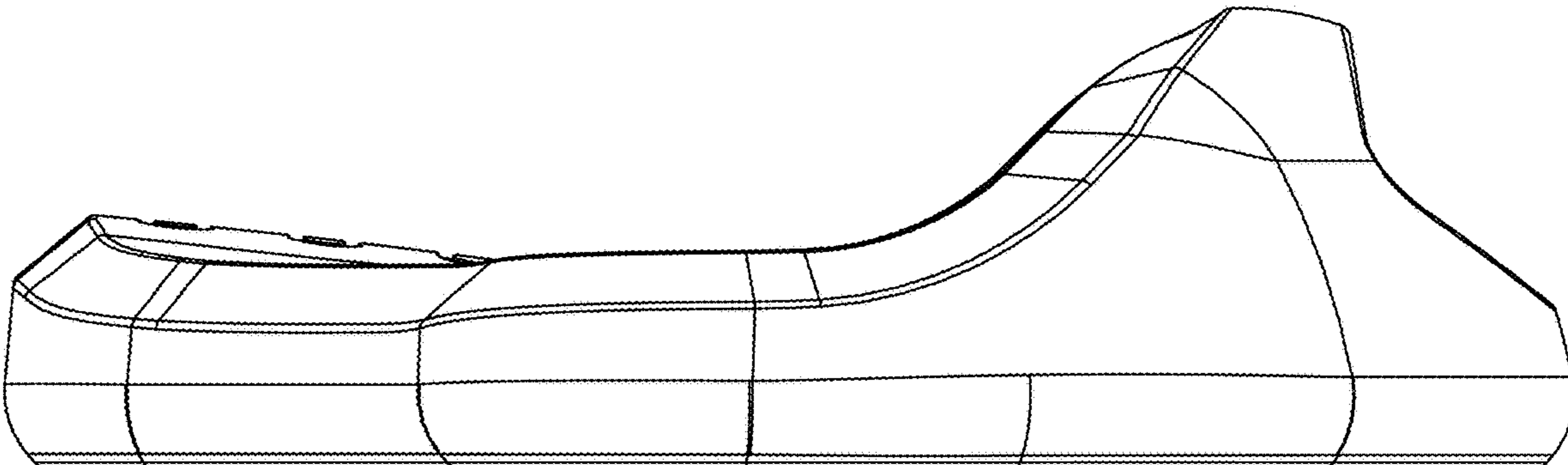


Fig. 3

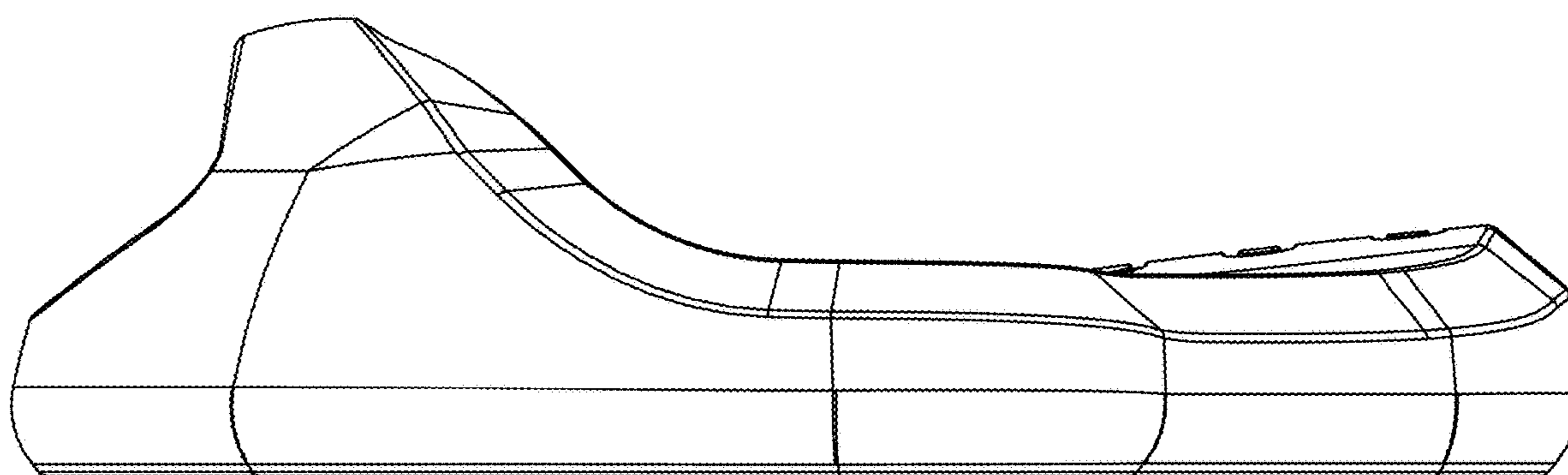


Fig. 4

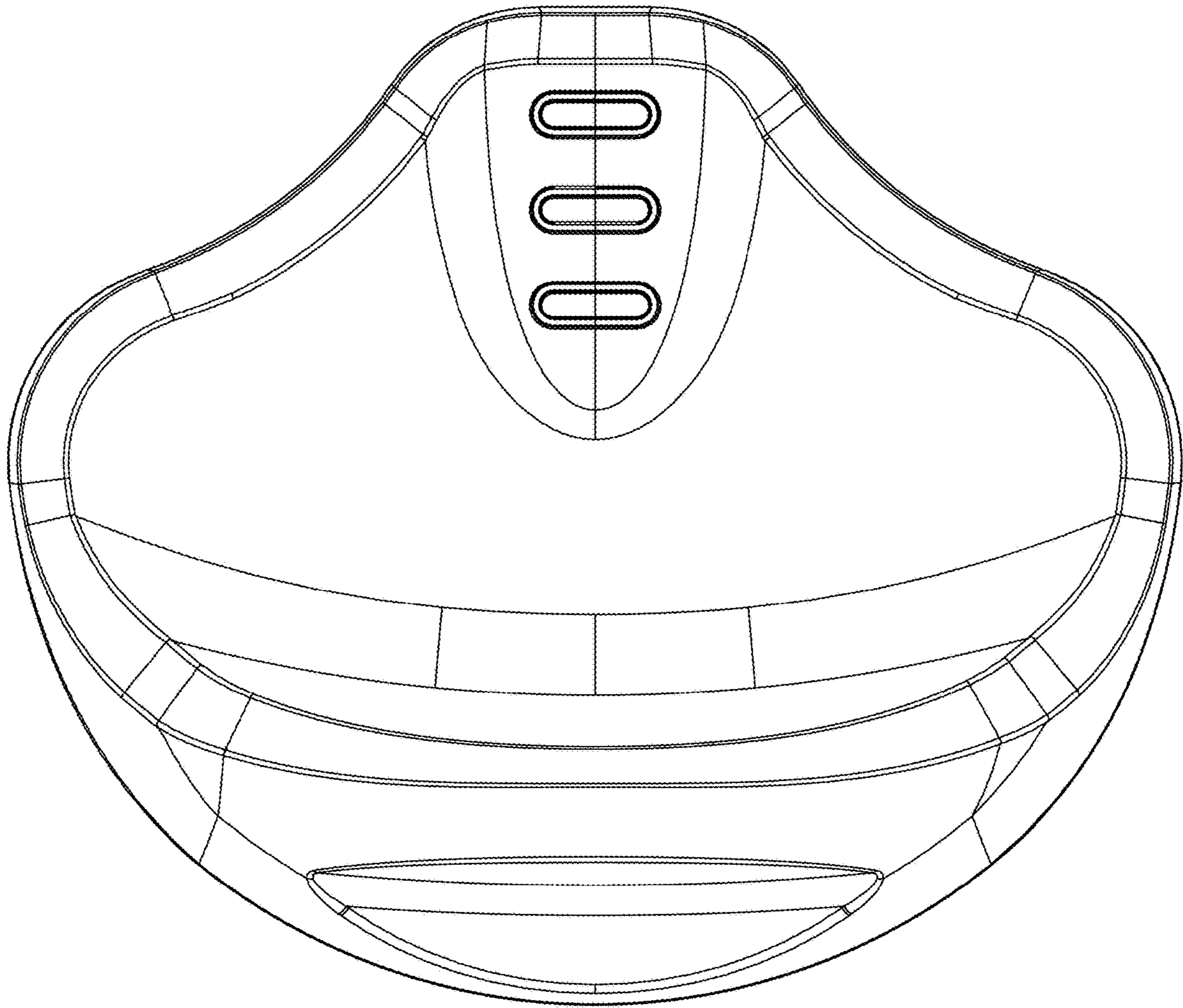


Fig. 5

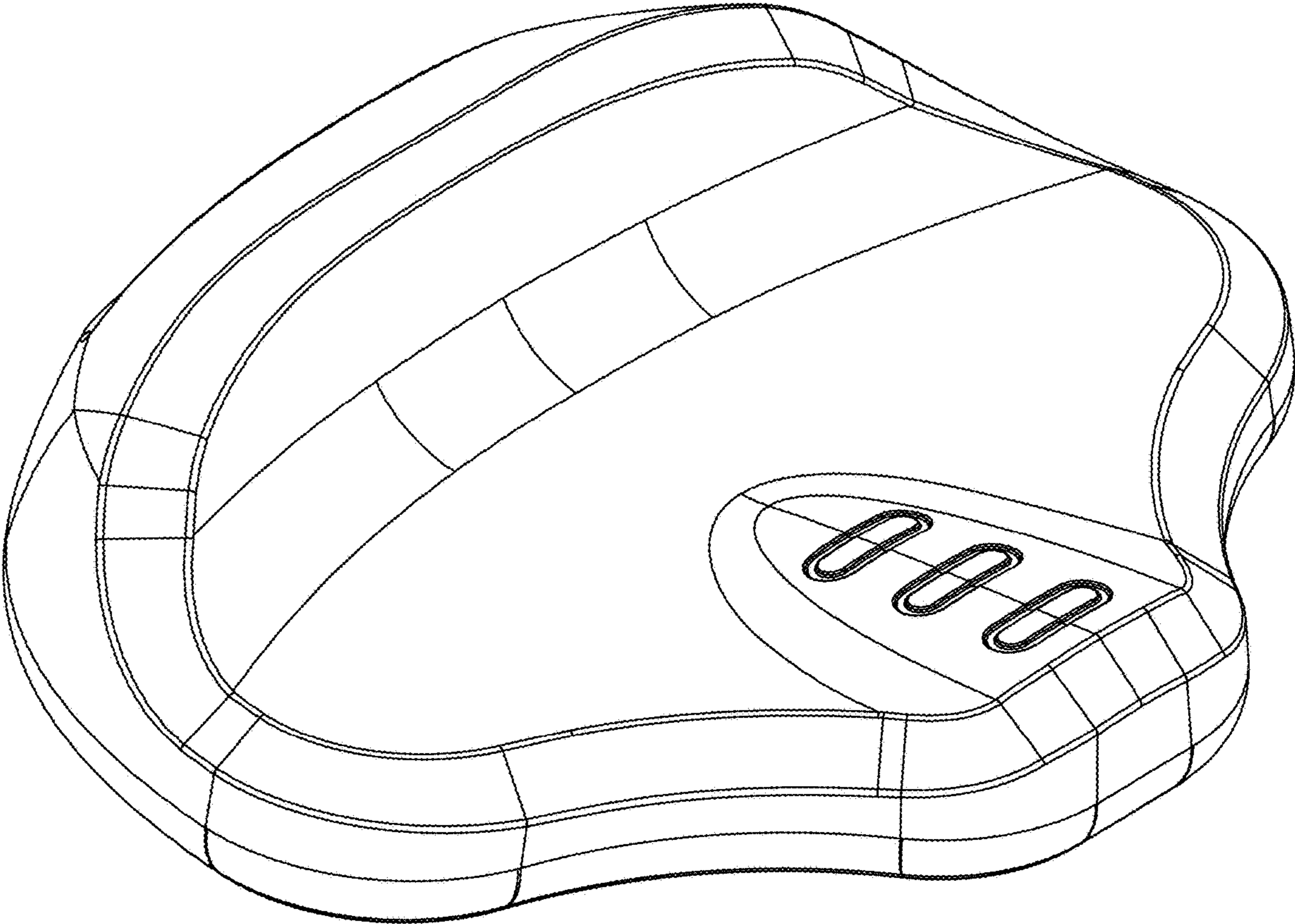


Fig. 6

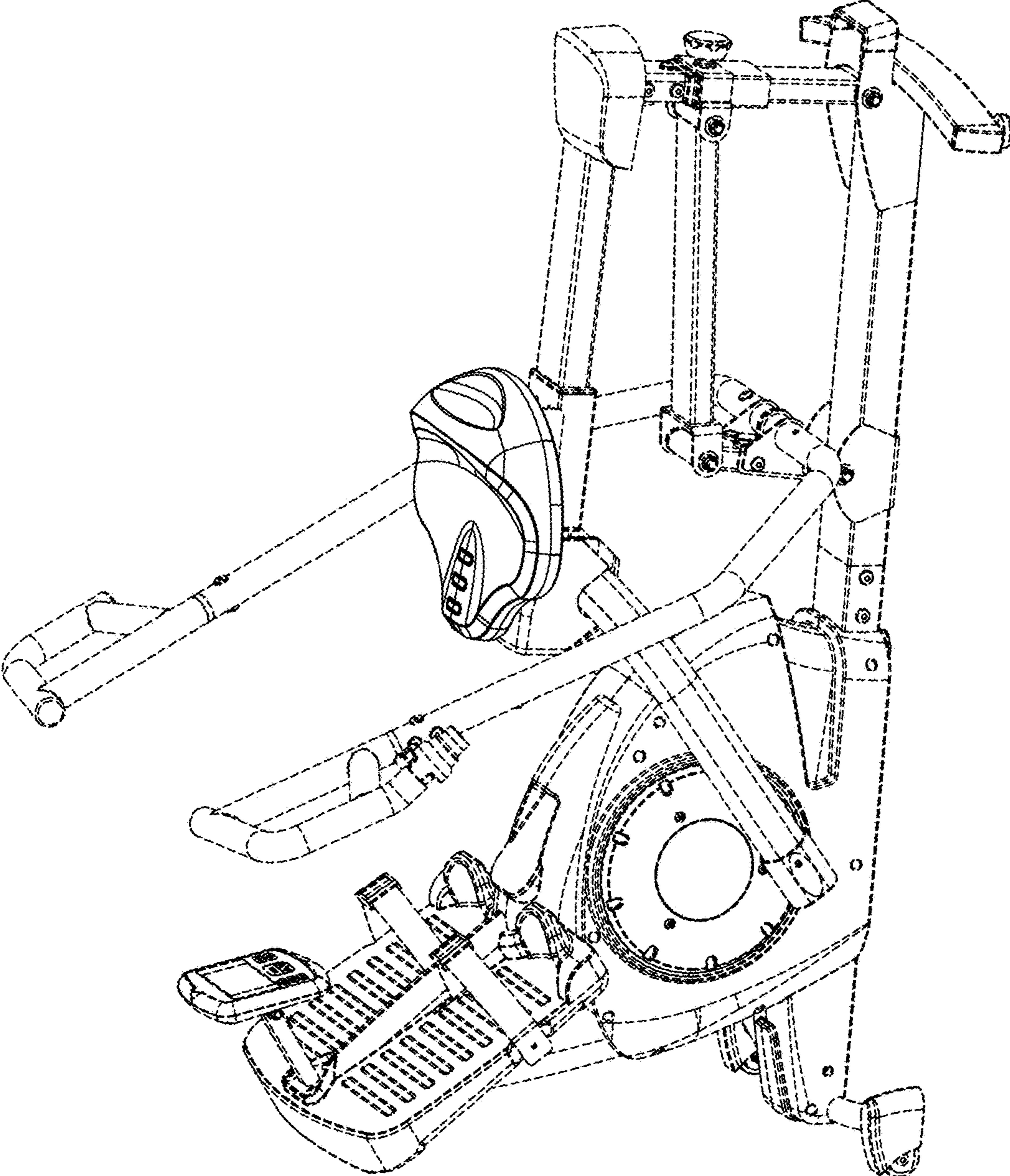


Fig. 7