



US00D927613S

(12) **United States Design Patent** (10) **Patent No.:** **US D927,613 S**
Ryan (45) **Date of Patent:** **** Aug. 10, 2021**

(54) **INCLINER**
(71) Applicant: **InclineRx LLC**, Seattle, WA (US)
(72) Inventor: **David Richard Ryan**, Langley, WA (US)
(73) Assignee: **InclineRx LLC**, Seattle, WA (US)
(**) Term: **15 Years**

D365,610 S 12/1995 Fraser
5,643,164 A * 7/1997 Teff A63B 22/16
482/146
D396,078 S 7/1998 Atashkarian et al.
5,795,277 A 8/1998 Bruntmyer
D420,407 S * 2/2000 Garcia D21/688
7,175,577 B2 * 2/2007 Greenspan A61H 1/0237
482/146
7,213,277 B1 5/2007 Hsieh
7,276,033 B2 10/2007 Phillips
D564,604 S * 3/2008 Mikail D21/688
(Continued)

(21) Appl. No.: **29/709,860**
(22) Filed: **Oct. 17, 2019**
(51) **LOC (13) Cl.** **21-02**
(52) **U.S. Cl.**
USPC **D21/688**
(58) **Field of Classification Search**
USPC D21/688, 686, 689, 690, 760, 769, 707,
D21/694, 797, 802, 811, 814, 818;
D6/349
See application file for complete search history.

OTHER PUBLICATIONS

“BodySlant” EvolutionHealth.com, URL=<http://www.evolutionhealth.com/bodyslant/>, download date Apr. 24, 2018.
(Continued)

Primary Examiner — Khawaja Anwar
Assistant Examiner — Julice Seung Eun Oum
(74) *Attorney, Agent, or Firm* — Seed IP Law Group LLP

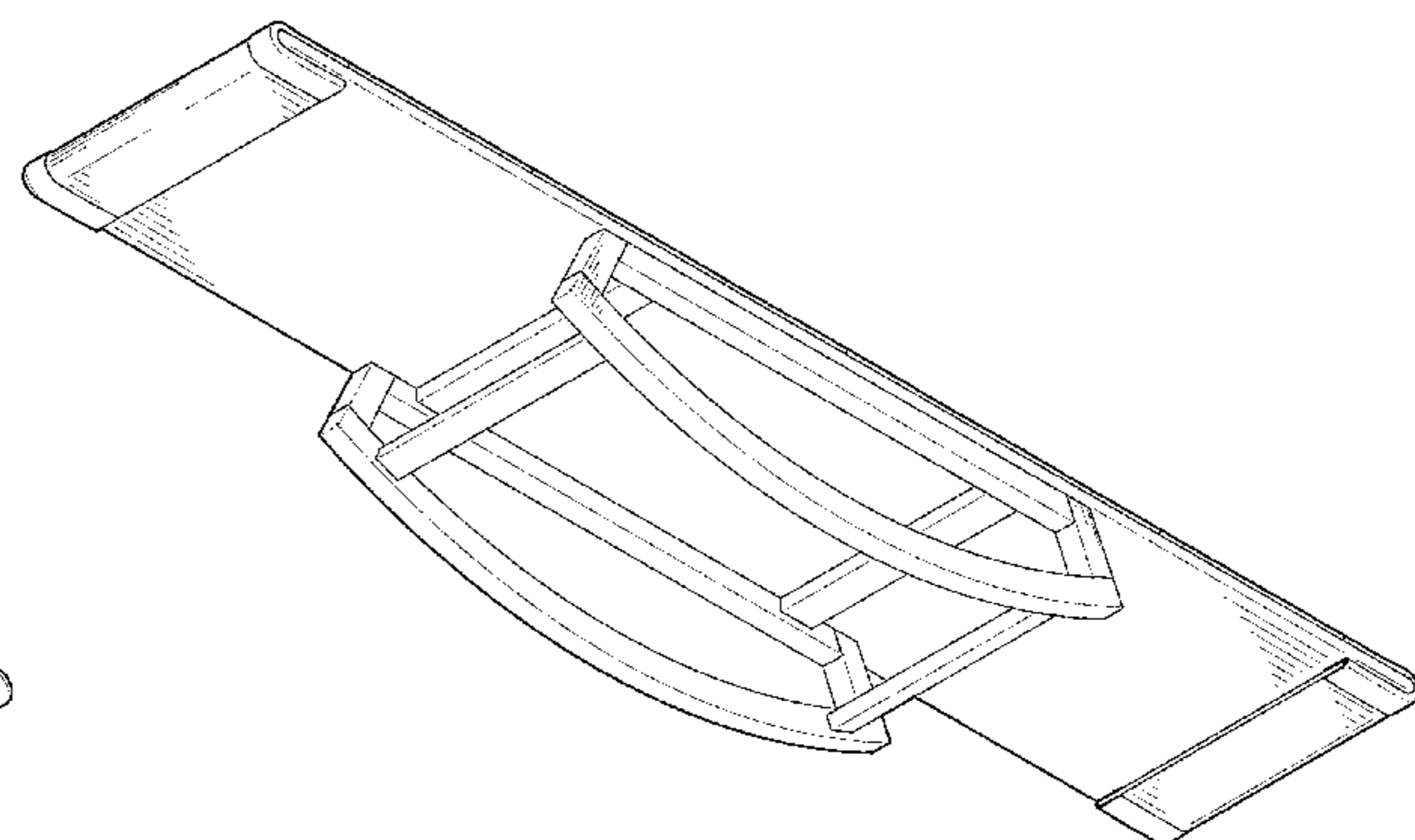
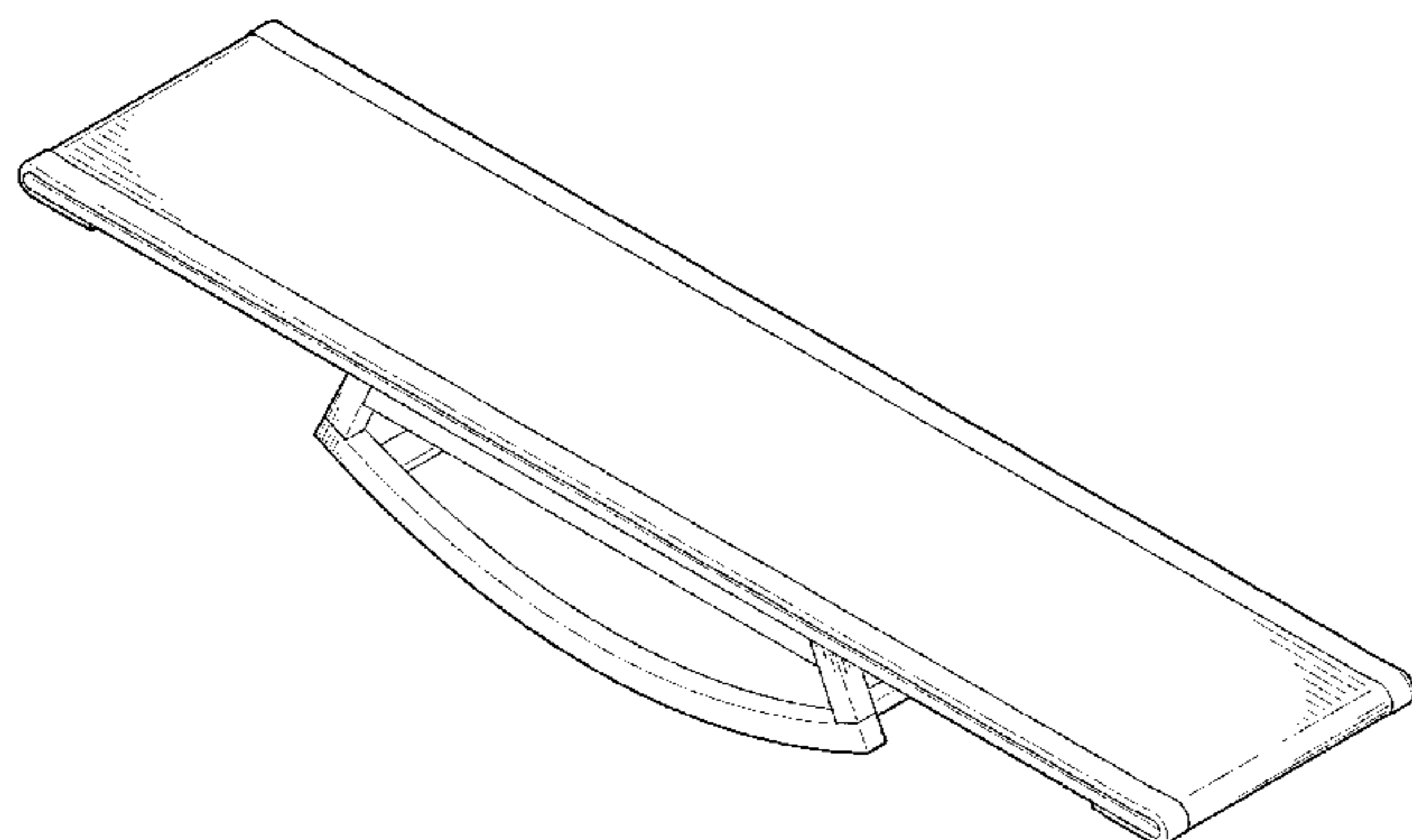
(56) **References Cited**
U.S. PATENT DOCUMENTS
1,979,716 A 11/1934 Terry
D168,270 S 11/1952 Lamb
D185,563 S 6/1959 Parker
3,010,719 A 11/1961 Johnson
3,804,405 A * 4/1974 Giddings A63B 5/10
482/31
3,961,787 A * 6/1976 Studebaker A63B 21/0004
273/114
4,491,318 A * 1/1985 Francke A63B 21/0004
482/147
D286,802 S 11/1986 Ahlberg
4,911,440 A * 3/1990 Hyman A63B 22/16
482/146
4,919,481 A 4/1990 Garabedian
5,048,823 A * 9/1991 Bean A63B 22/18
482/146
5,213,394 A 5/1993 Tattrie

(57) **CLAIM**
The ornamental design for an incliner, as shown and described.

DESCRIPTION

FIG. 1 is a top isometric view of an incliner, showing my new design.
FIG. 2 is a bottom isometric view thereof.
FIG. 3 is a front view thereof, which is the same as the rear view.
FIG. 4 is a left side view thereof, which is the same as the right side view.
FIG. 5 is a top view thereof; and,
FIG. 6 is a bottom view thereof.

1 Claim, 4 Drawing Sheets



(56)

References Cited

U.S. PATENT DOCUMENTS

D604,374 S 11/2009 Bizzell
 7,935,032 B1 * 5/2011 Jackson A63B 21/4015
 482/70
 7,951,056 B2 5/2011 Radzwill
 D648,403 S * 11/2011 Haniffee D21/688
 8,292,837 B2 10/2012 Du
 D677,915 S 3/2013 Chadwick
 8,734,308 B1 * 5/2014 Joslin A63B 21/4037
 482/146
 9,220,944 B2 * 12/2015 Moscarello A63B 26/003
 9,457,226 B2 * 10/2016 Heath A63B 22/18
 D778,377 S 2/2017 Daniel et al.
 9,931,540 B1 * 4/2018 Lazar A63B 26/003
 2002/0187886 A1 12/2002 Wu
 2004/0014571 A1 1/2004 Haynes
 2004/0198573 A1 * 10/2004 Brydson A63B 26/003
 482/146
 2008/0318743 A1 * 12/2008 Bizzell A63B 21/0004
 482/142
 2013/0197403 A1 8/2013 Sevy et al.
 2015/0018178 A1 * 1/2015 Carbone A63B 71/0009
 482/146
 2015/0165266 A1 6/2015 Powers
 2015/0190679 A1 7/2015 Carbone et al.

2015/0297946 A1 10/2015 Kelley
 2016/0030800 A1 * 2/2016 McClure A63B 22/16
 482/146
 2017/0232302 A1 8/2017 Dedvukaj
 2017/0291069 A1 * 10/2017 Zakariasen A63B 26/003
 2019/0314664 A1 10/2019 Jacobson et al.
 2019/0329094 A1 * 10/2019 Strobel A63B 22/18

OTHER PUBLICATIONS

“Gravity Pal Low Angle Inversion Tables,” URL=<http://www.gravitypal.com/>, download date Apr. 24, 2018.
 “In-Trinity Board,” URL=<https://in-trinity.com/the-board/>, download date Apr. 24, 2018.
 “Kahuna Massage Chair Space-Saving Zero-Gravity Full-Body Recliner LM6800 with yoga & heating therapy (Brown),” Amazon, URL=<https://www.amazon.com/Space-Saving-Kahuna-Massage-Chair-LM6800/dp/B01M24RKQY>, download date Apr. 24, 2018.
 Teeter, URL=<https://teeter.com/hang-ups/>, download date Apr. 24, 2018.
 “Wellness Pad by Technogym,” Thrive Global, URL=<https://shop.thriveglobal.com/collections/body/products/wellness-pad>, download date Apr. 24, 2018.
 “Zero Gravity Chairs,” Relax the Back, URL=<https://www.relaxtheback.com/recliners/zero-gravity.html>, download date Apr. 24, 2018.

* cited by examiner

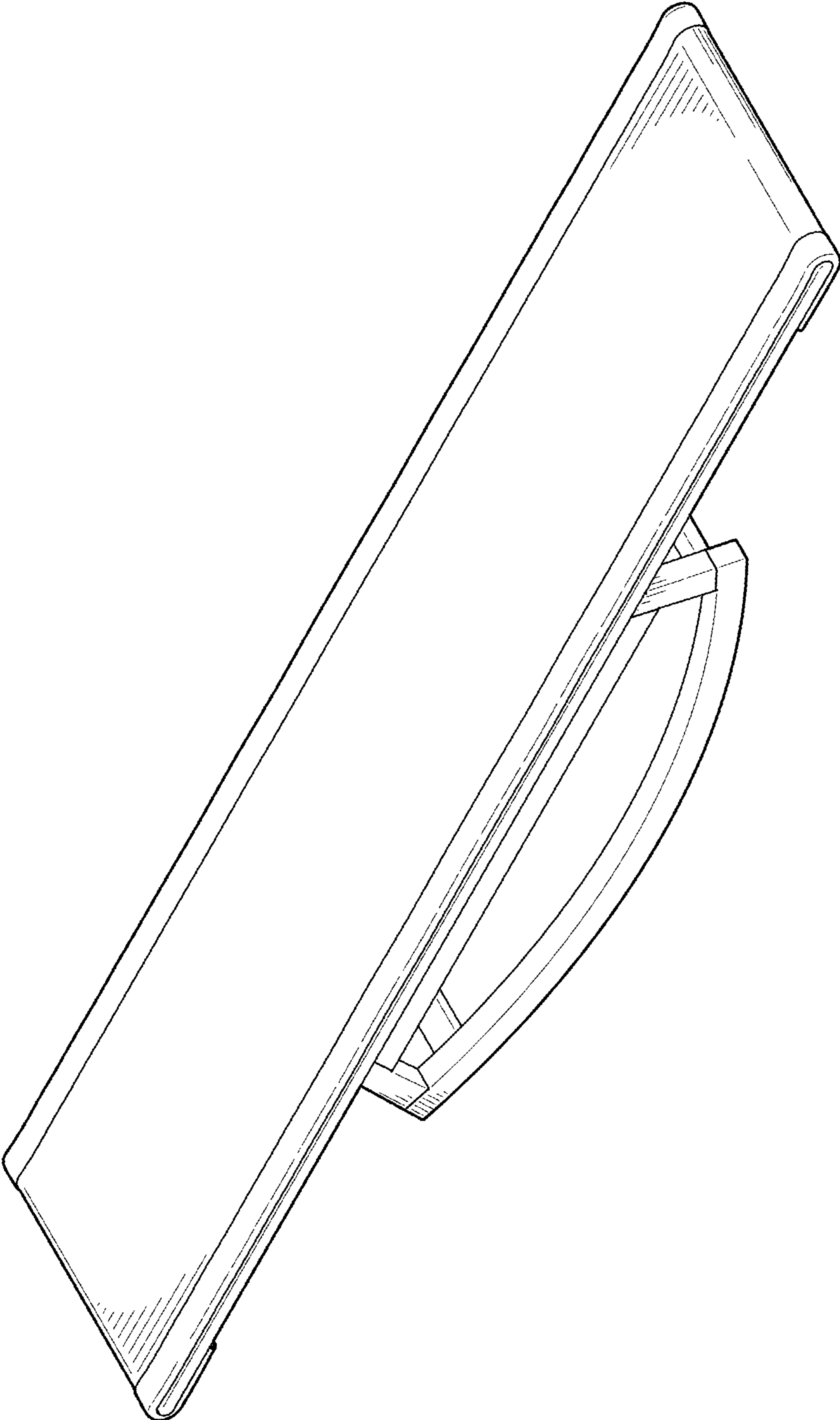


FIG. 1

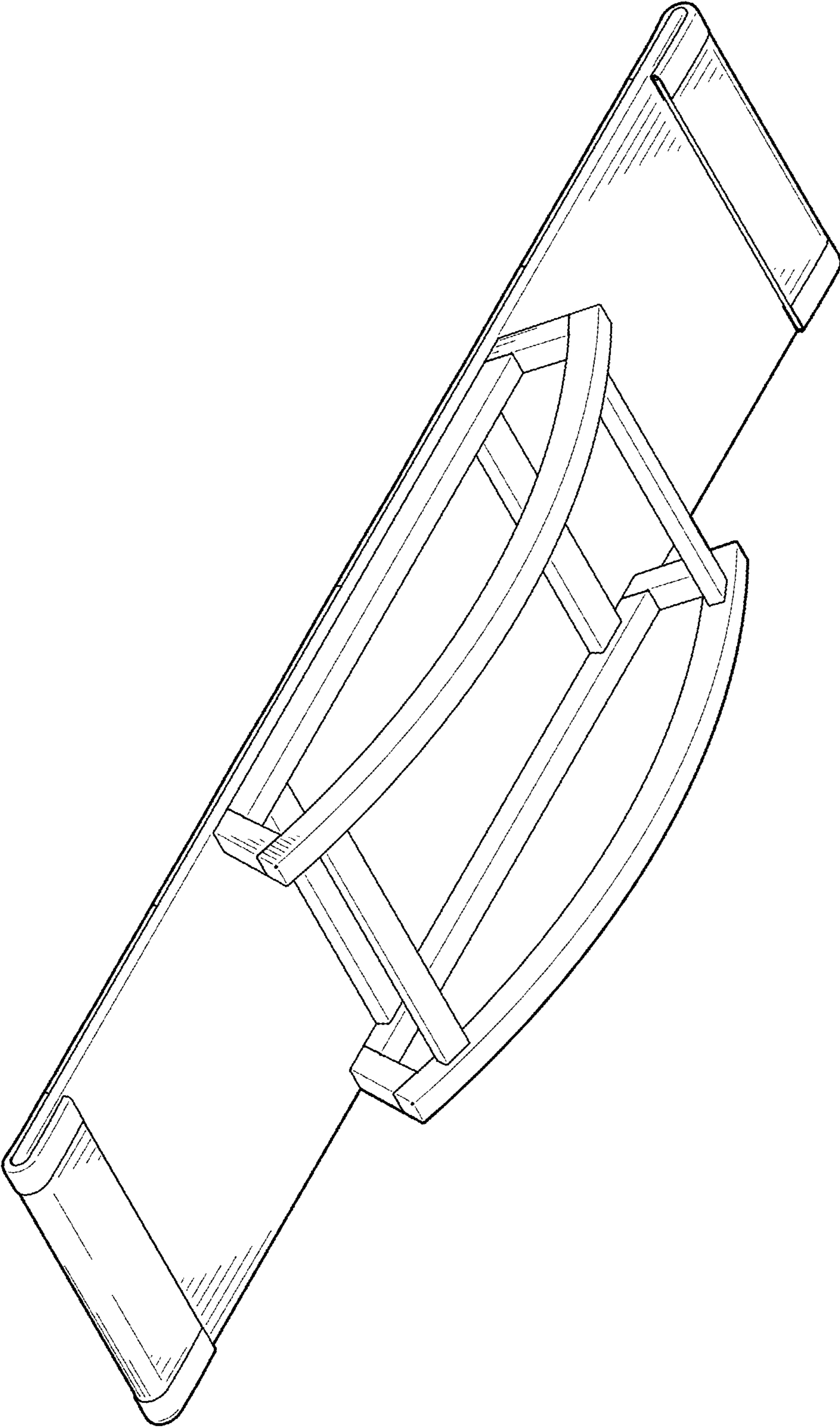


FIG. 2

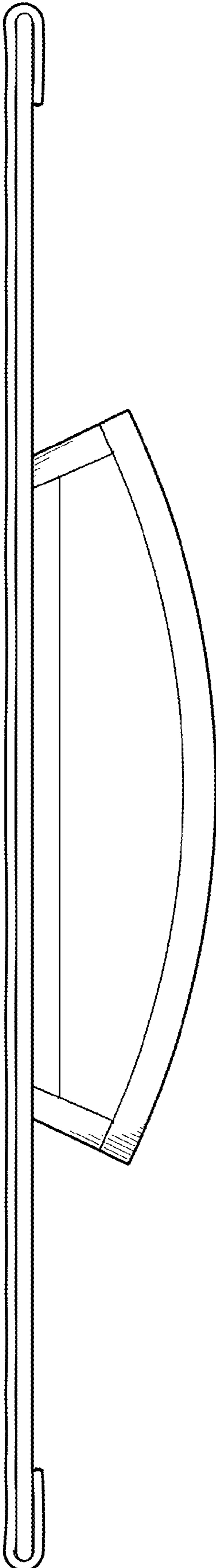


FIG. 3

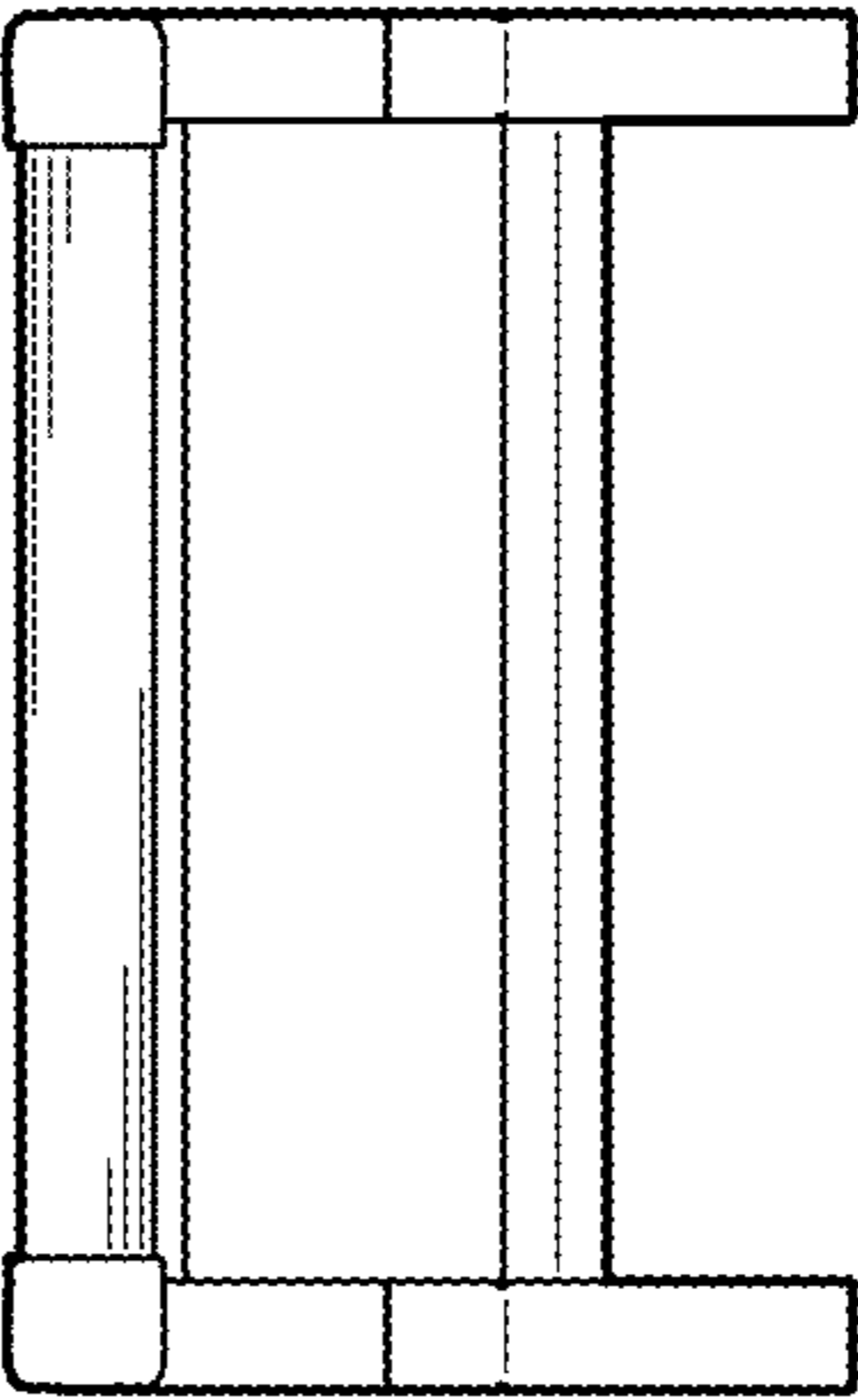


FIG. 4

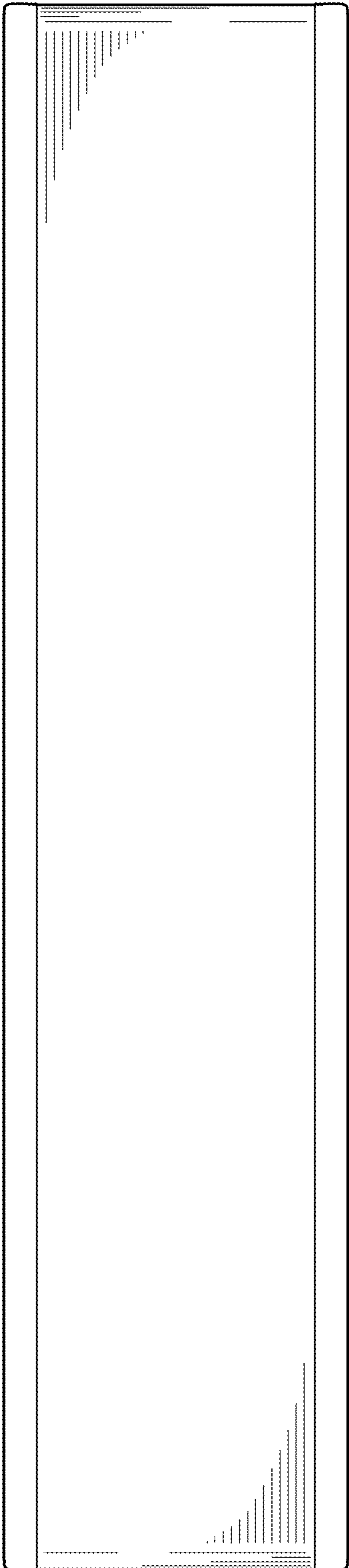


FIG. 5

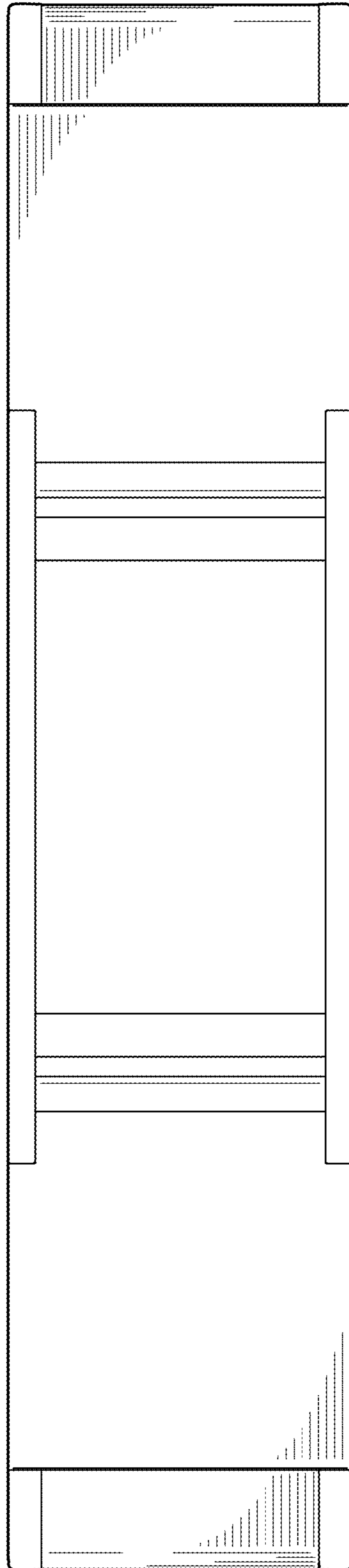


FIG. 6