



US00D927612S

(12) **United States Design Patent** (10) **Patent No.:** **US D927,612 S**  
**Thomas** (45) **Date of Patent:** **\*\* Aug. 10, 2021**

(54) **WEIGHT TRAINING PLATE HOLDER**

(71) Applicant: **Carlton Thomas**, Emmaus, PA (US)

(72) Inventor: **Carlton Thomas**, Emmaus, PA (US)

(\*\*) Term: **15 Years**

(21) Appl. No.: **29/720,384**

(22) Filed: **Jan. 13, 2020**

(51) **LOC (13) Cl.** ..... **21-02**

(52) **U.S. Cl.**  
USPC ..... **D21/686**

(58) **Field of Classification Search**  
USPC ..... D21/687, 686, 669, 673, 679, 690, 691,  
D21/692, 694, 676, 674, 670, 663, 662,  
D21/423, 695, 682, 677, 688, 683, 684,  
D21/685, 665, 839, 470, 386, 801, 400,  
D21/675; D20/21; D7/682; D17/22;  
D30/160; D8/354, 363, 367, 373, 376  
See application file for complete search history.

(56) **References Cited**

**U.S. PATENT DOCUMENTS**

D348,706 S \* 7/1994 Harrell ..... D21/691  
7,108,636 B1 \* 9/2006 Garcia ..... A63B 21/1627  
482/139  
D626,187 S \* 10/2010 Friedman ..... D21/679  
D633,156 S \* 2/2011 Caswell ..... D21/679  
D633,961 S \* 3/2011 Loew ..... D21/679  
D667,901 S \* 9/2012 Garcia Chavez ..... D21/679

10,780,311 B1 \* 9/2020 Gadd ..... A63B 21/1636  
2012/0046150 A1 \* 2/2012 Stacey ..... A63B 21/00047  
482/131  
2012/0115683 A1 \* 5/2012 Ross ..... A63B 21/169  
482/38  
2013/0116093 A1 \* 5/2013 Kehoe ..... A63B 21/1627  
482/40  
2014/0302968 A1 \* 10/2014 Velikin ..... A63B 1/00  
482/40

\* cited by examiner

*Primary Examiner* — Khawaja Anwar

*Assistant Examiner* — Julice Seung Eun Oum

(74) *Attorney, Agent, or Firm* — Michael J. Feigin, Esq.;  
Feigin and Fridman LLC

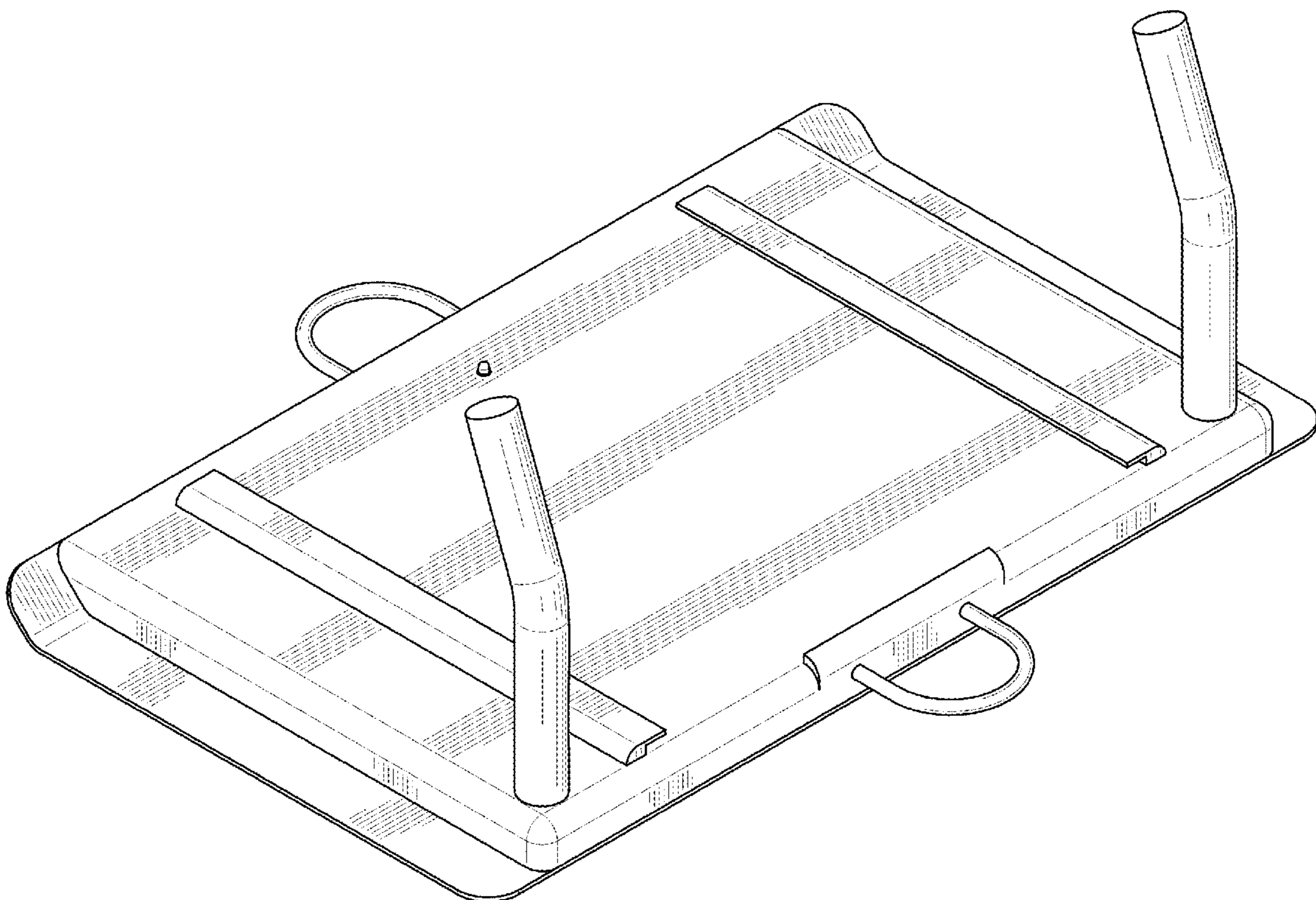
(57) **CLAIM**

The ornamental design for the weight training plate holder,  
as shown and described.

**DESCRIPTION**

FIG. 1 shows a top and side perspective view of the weight  
training plate holder.  
FIG. 2 shows a bottom and reverse side view thereof.  
FIG. 3 shows a bottom plan view thereof.  
FIG. 4 shows a top plan view thereof.  
FIG. 5 shows a first side elevation view thereof.  
FIG. 6 shows a reverse second side elevation view thereof;  
and,  
FIG. 7 shows a third side elevation view thereof, the  
opposite fourth side being a mirror image thereof.

**1 Claim, 7 Drawing Sheets**



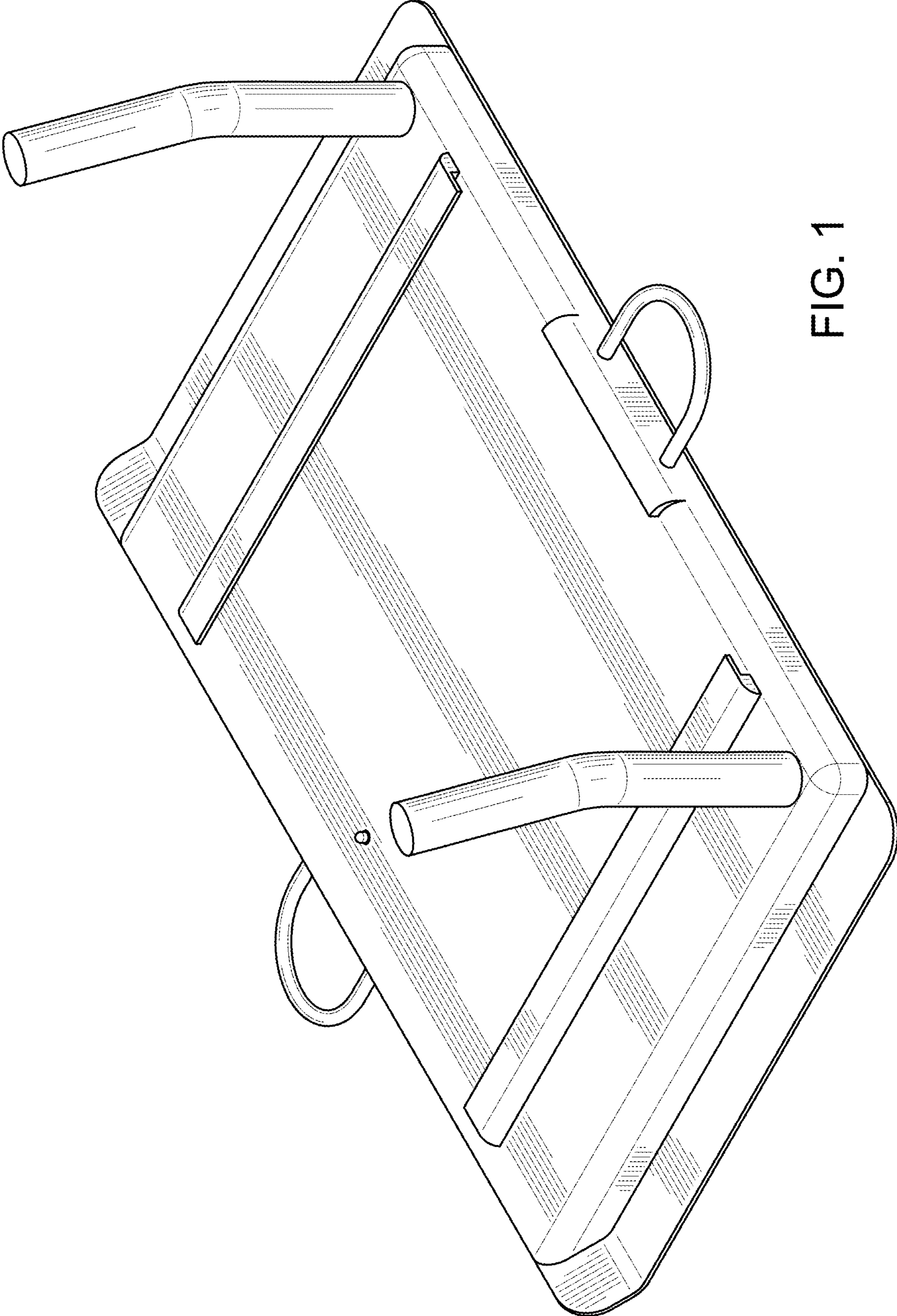


FIG. 1

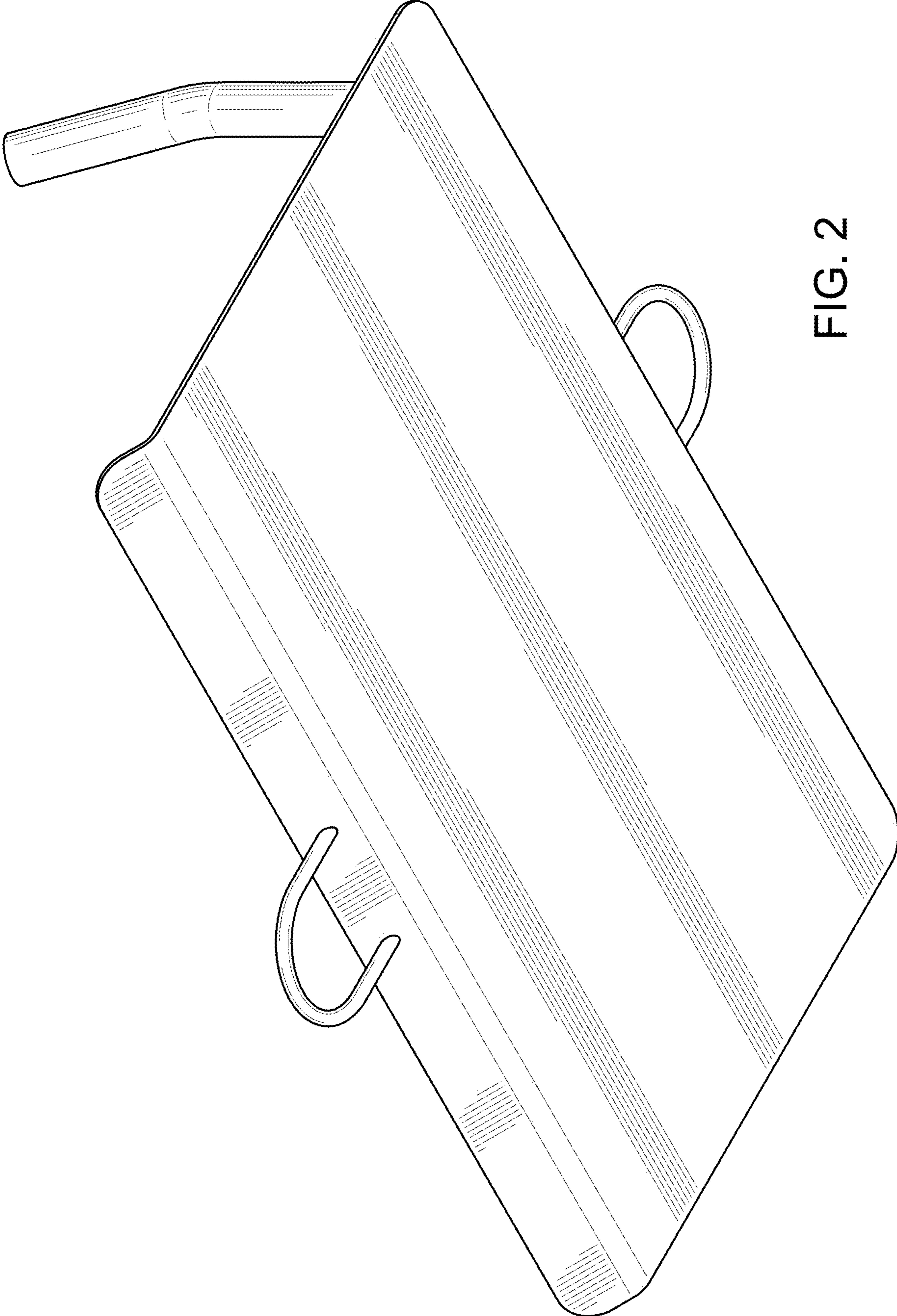


FIG. 2

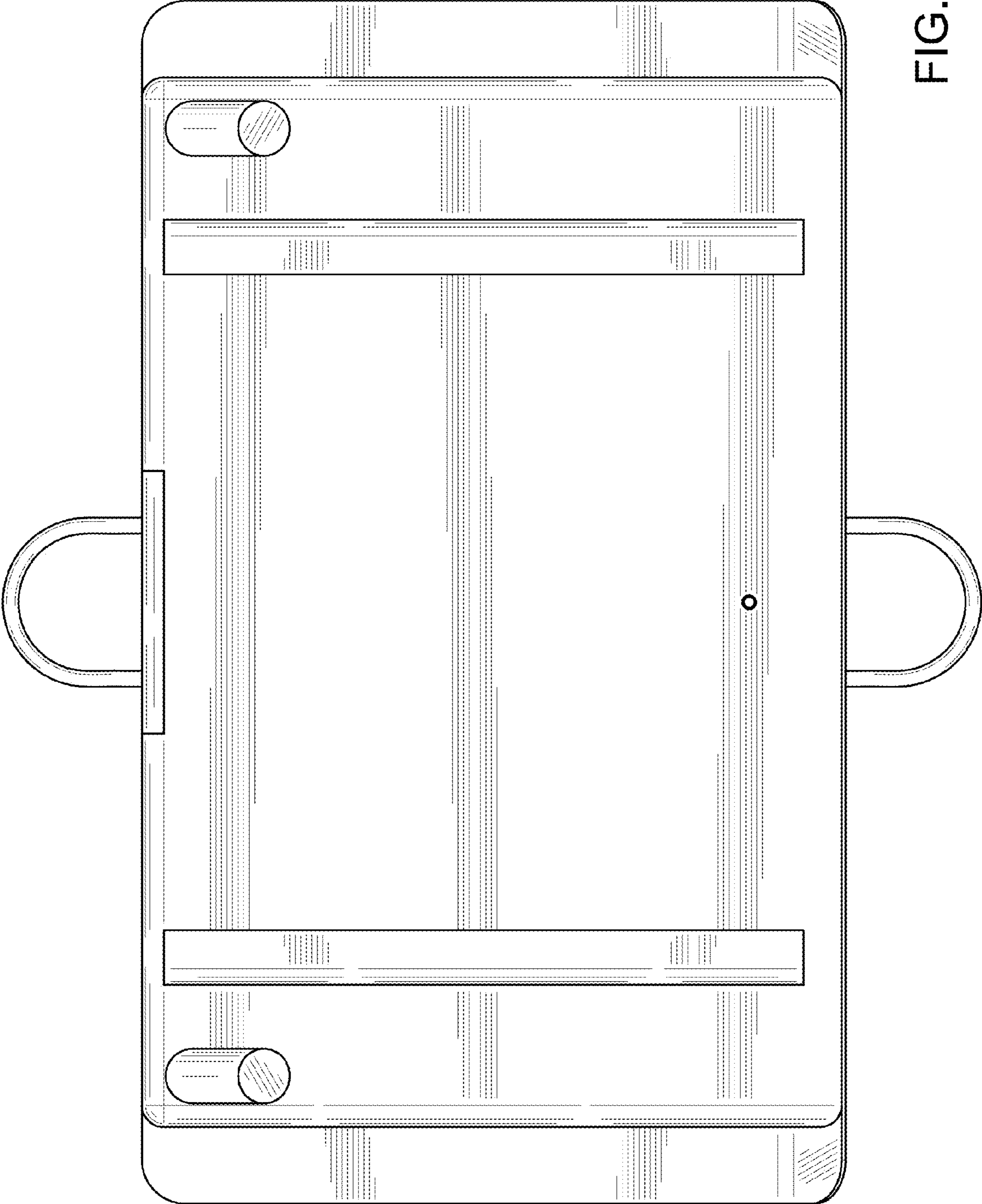


FIG. 3

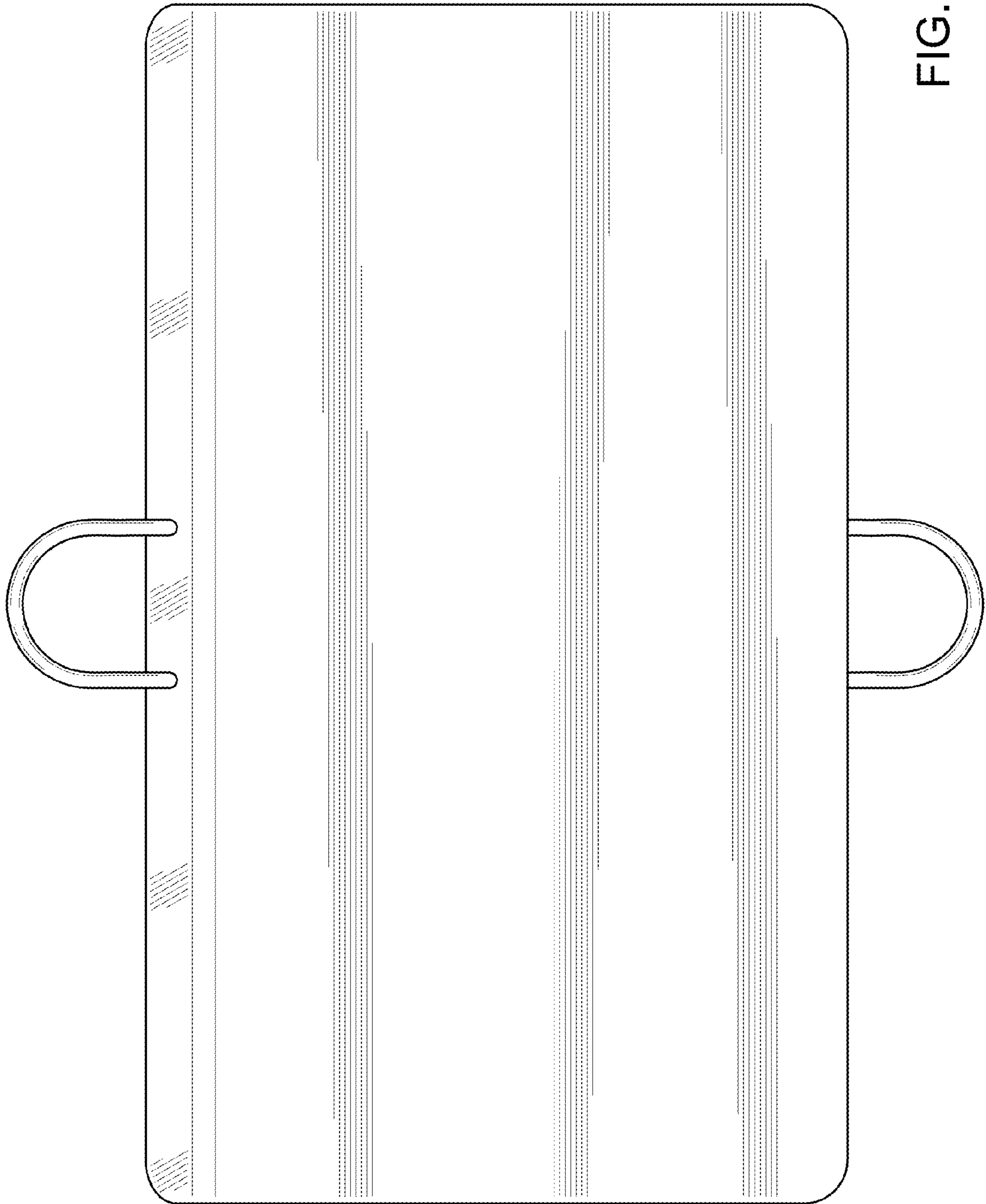


FIG. 4

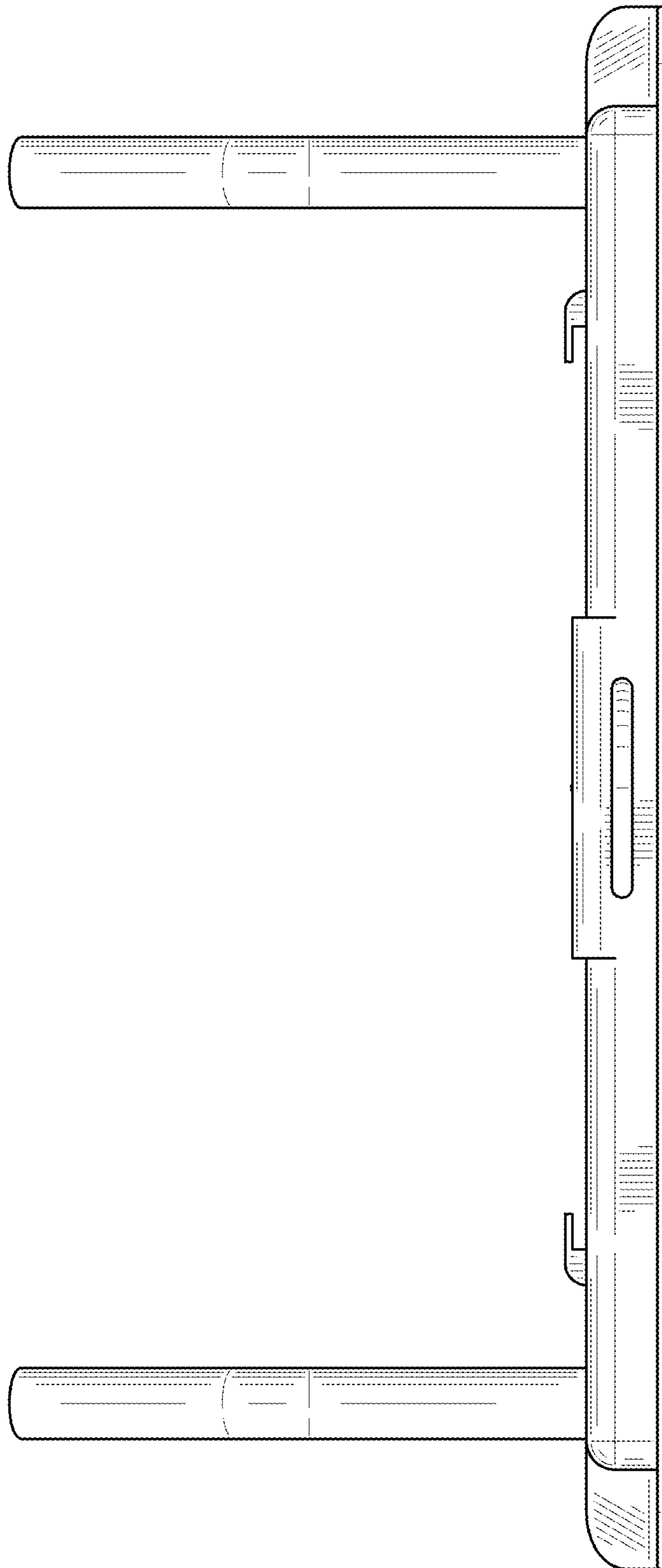


FIG. 5

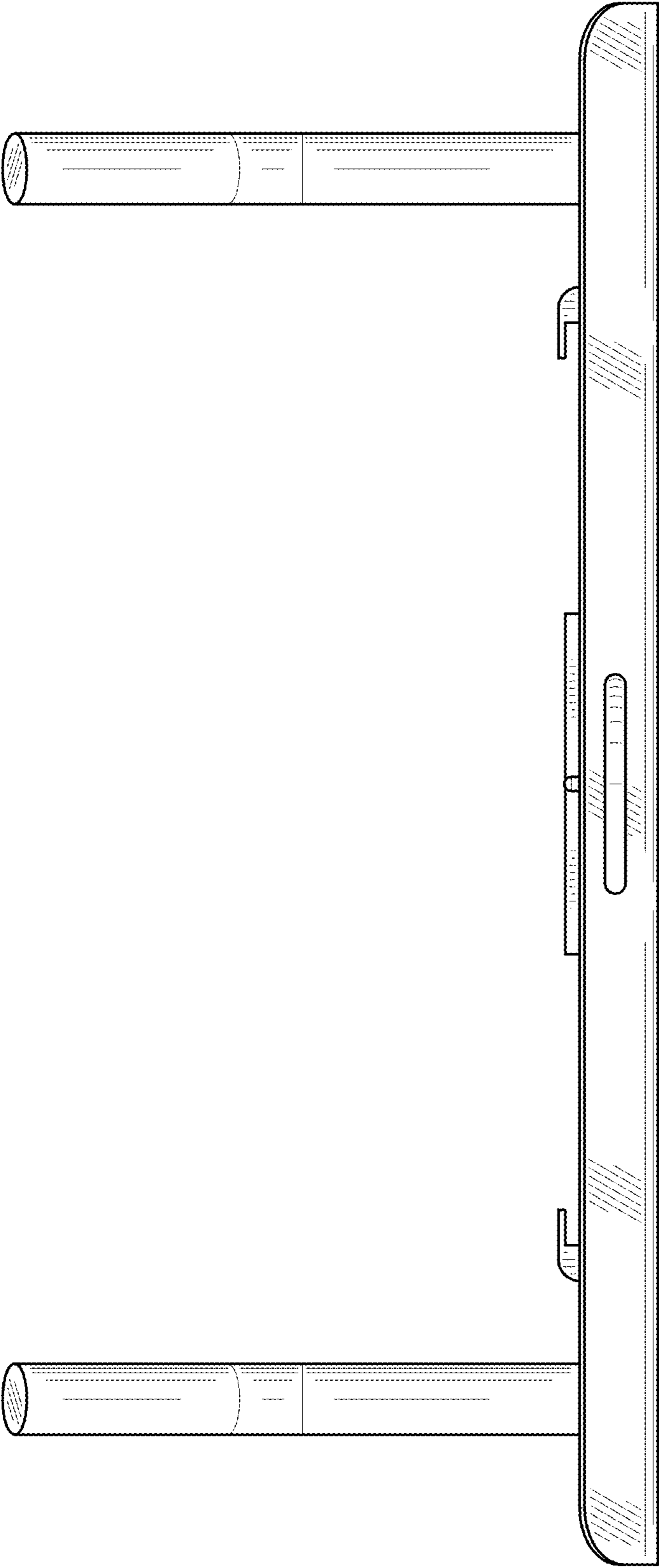


FIG. 6

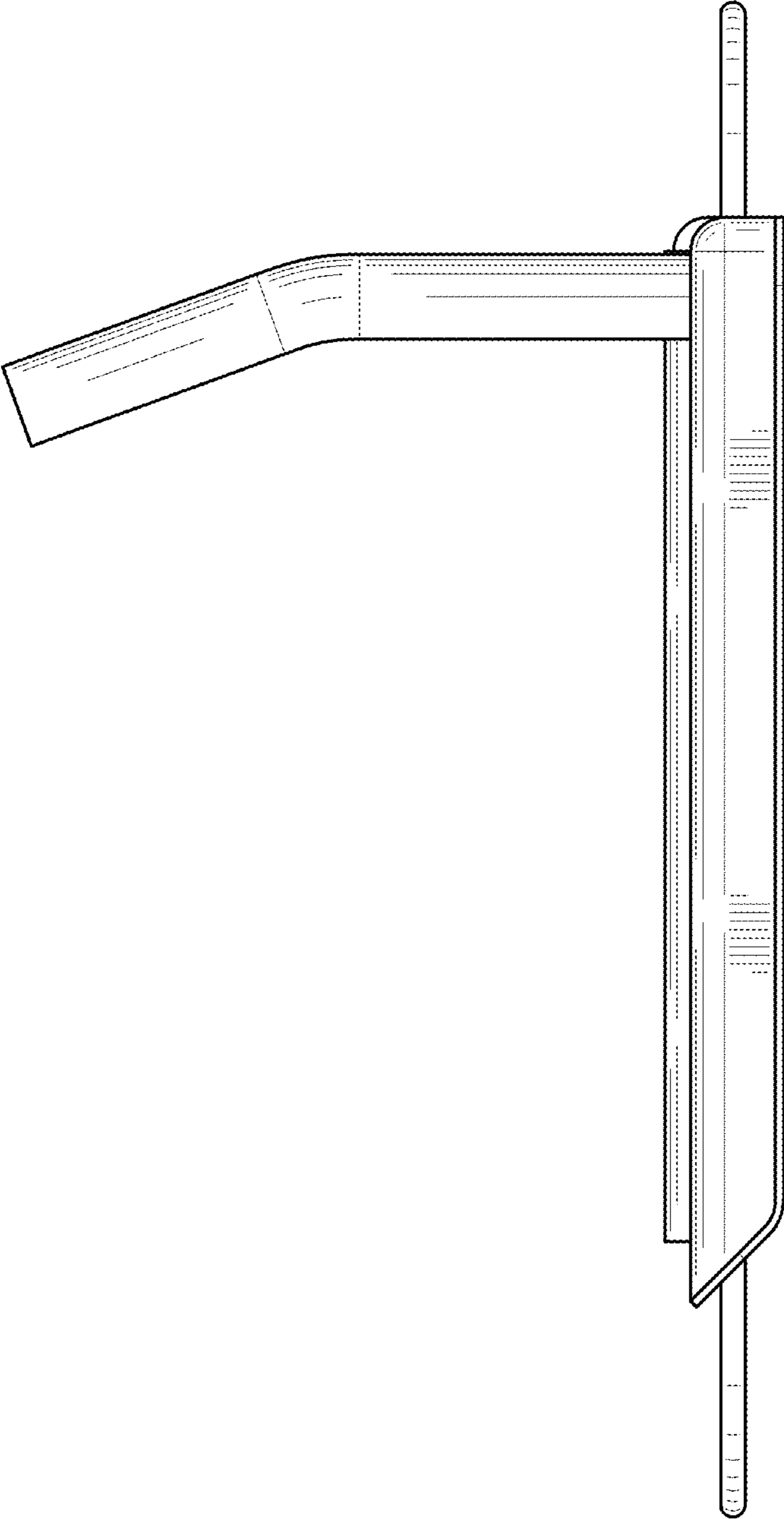


FIG. 7