



US00D927611S

(12) **United States Design Patent** (10) **Patent No.:** **US D927,611 S**
Wang (45) **Date of Patent:** **** Aug. 10, 2021**

(54) **DUMBBELL**

(71) Applicant: **Xingqiang Wang**, Jinan (CN)

(72) Inventor: **Xingqiang Wang**, Jinan (CN)

(**) Term: **15 Years**

(21) Appl. No.: **29/767,813**

(22) Filed: **Jan. 26, 2021**

(51) **LOC (13) Cl.** **21-02**

(52) **U.S. Cl.**
USPC **D21/681**; D21/680

(58) **Field of Classification Search**
USPC D24/215; D21/662, 680-682, 684;
D9/549, 559, 601, 602, 619.1, 667, 669,
D9/679

CPC A63B 21/0608; A63B 21/0728; A63B
21/075; A63B 21/06

See application file for complete search history.

(56) **References Cited**

U.S. PATENT DOCUMENTS

D26,418 S	*	12/1896	Heydrick	D21/680
D415,803 S	*	10/1999	Cousins	D21/678
D465,151 S	*	11/2002	Mixon	D9/668
D489,102 S	*	4/2004	Chen	D21/681
D498,273 S	*	11/2004	Kuo	D21/681
D510,628 S	*	10/2005	Talbot	D24/214
D620,601 S	*	7/2010	TerMeer	D24/215
D637,729 S	*	5/2011	Tompkin	D24/215
D669,997 S	*	10/2012	Crockford	D24/215
D704,345 S	*	5/2014	Tai	D24/215
D716,464 S	*	10/2014	Kanbar	A61H 19/40 D24/215
D832,943 S	*	11/2018	Carpinelli	D21/694
D843,526 S	*	3/2019	Carpinelli	D21/694
D844,077 S		3/2019	Arceta		
D857,813 S	*	8/2019	Carpinelli	D21/694
D888,849 S		6/2020	Bowers		

OTHER PUBLICATIONS

“Runwe Adjustable Dumbbell Weights” Sep. 26, 2020, site visited Apr. 8, 2021: https://www.amazon.com/dp/B08PVD6BNW/ref=cm_sw_r_tw_dp_HV6DP8H43ZC74Z8B92AA?_encoding=UTF8&psc=1 (Year: 2020).*

* cited by examiner

Primary Examiner — Michael C Stout
Assistant Examiner — Melvin L Davis

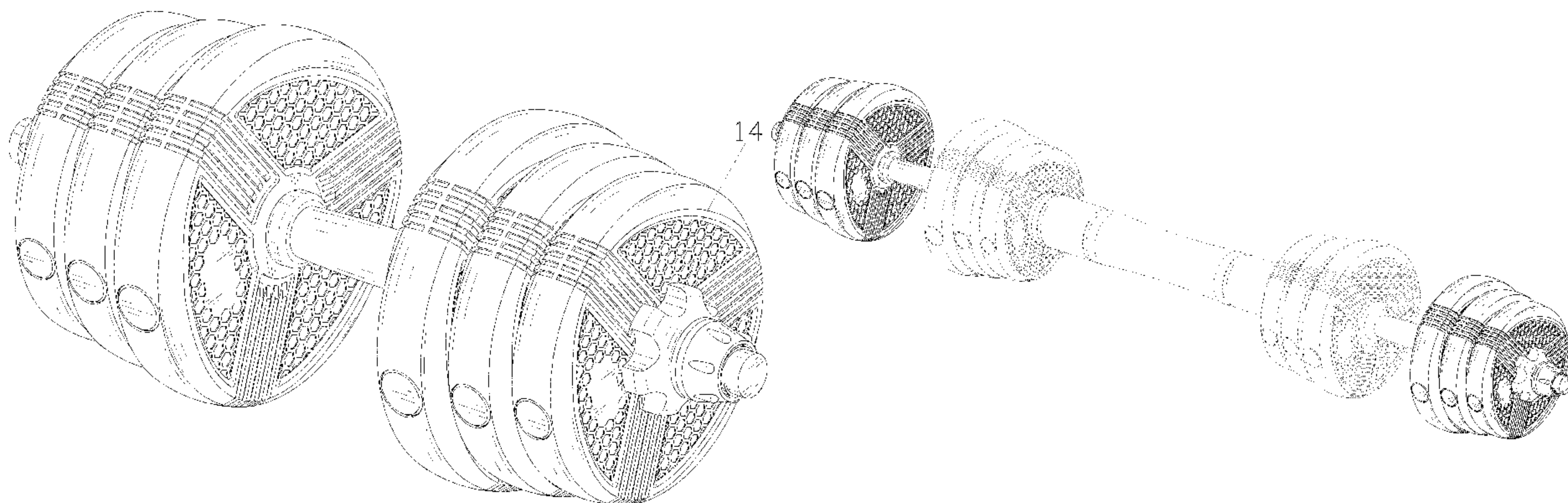
(57) **CLAIM**

The ornamental design for a dumbbell, as shown and described.

DESCRIPTION

FIG. 1 is a perspective view of a dumbbell showing my new design;
FIG. 2 is another perspective view thereof;
FIG. 3 is a front elevational view thereof;
FIG. 4 is a rear elevational view thereof;
FIG. 5 is a left side elevational view thereof;
FIG. 6 is a right side elevational view thereof;
FIG. 7 is a top plan view thereof;
FIG. 8 is a bottom plan view thereof;
FIG. 9 is perspective view of the dumbbell where the dumbbell is in a configuration of use;
FIG. 10 is a perspective view of a discus of the dumbbell, shown separately for illustration;
FIG. 11 is another perspective view thereof;
FIG. 12 is a front elevational view thereof;
FIG. 13 is a rear elevational view thereof; and,
FIG. 14 is an enlarged view of portion 14 shown in FIG. 1.
The broken lines in the drawings depict portions of the dumbbell that form no part of the claimed design.

1 Claim, 14 Drawing Sheets



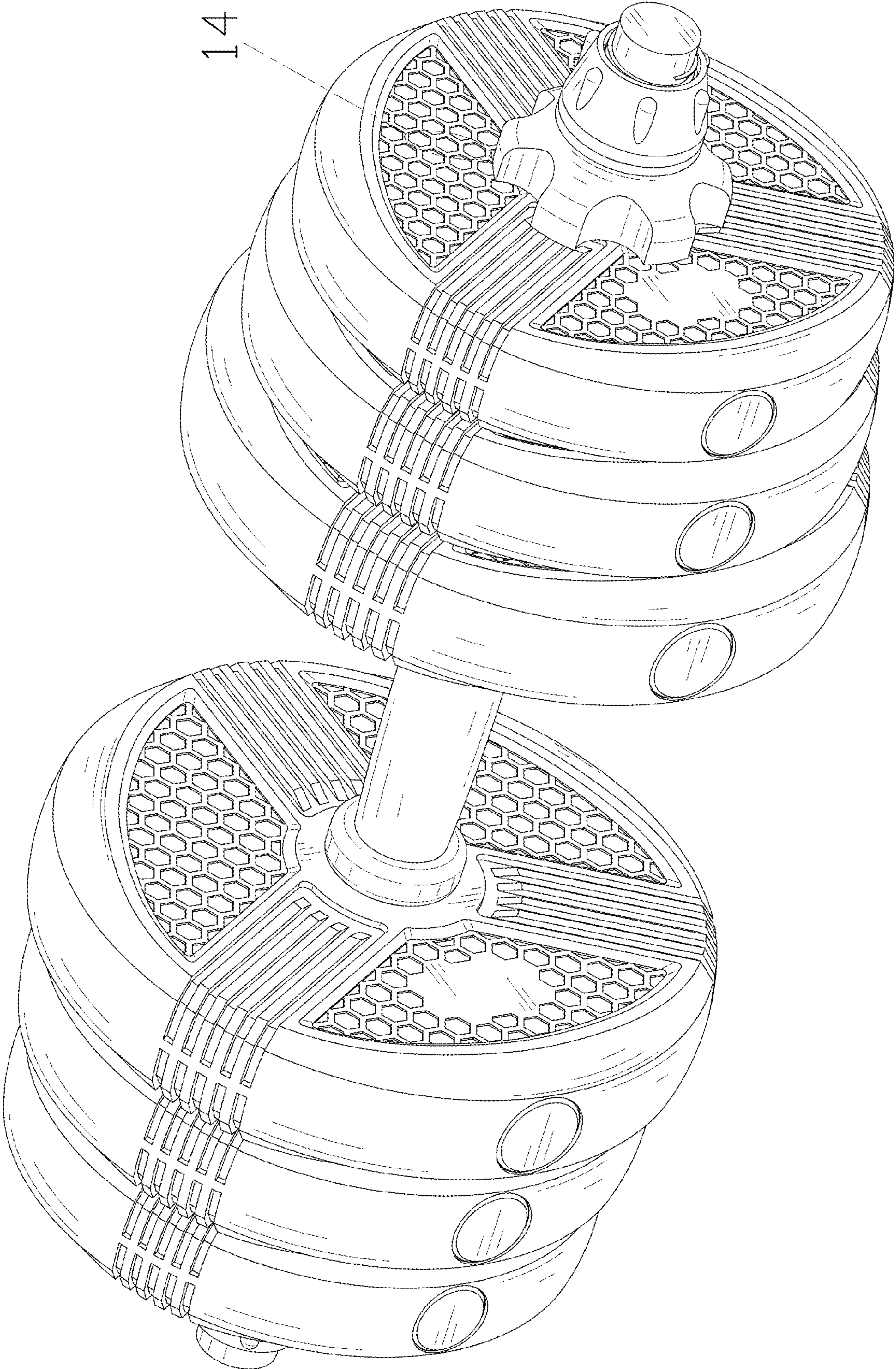


FIG. 1

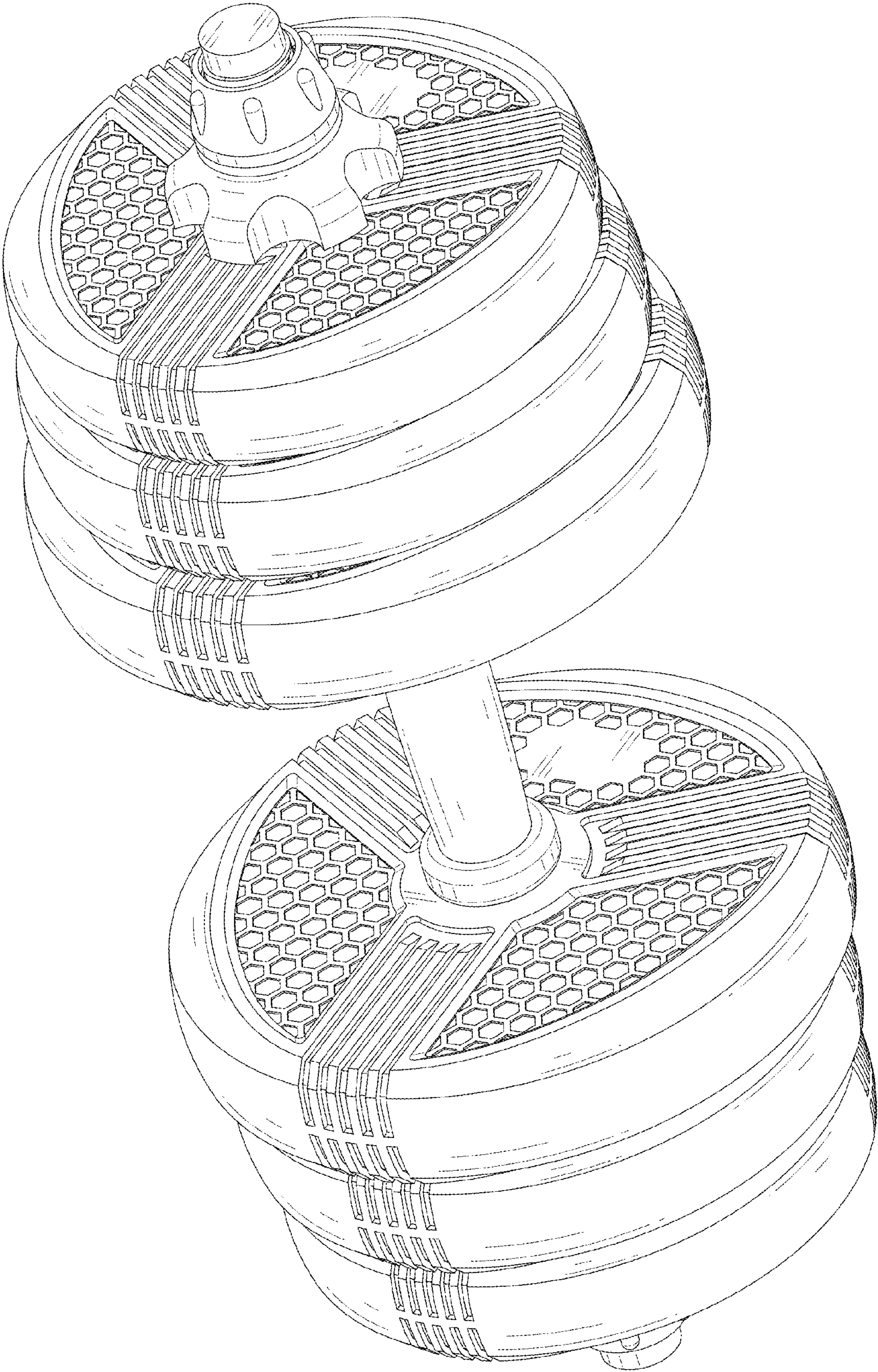


FIG. 2

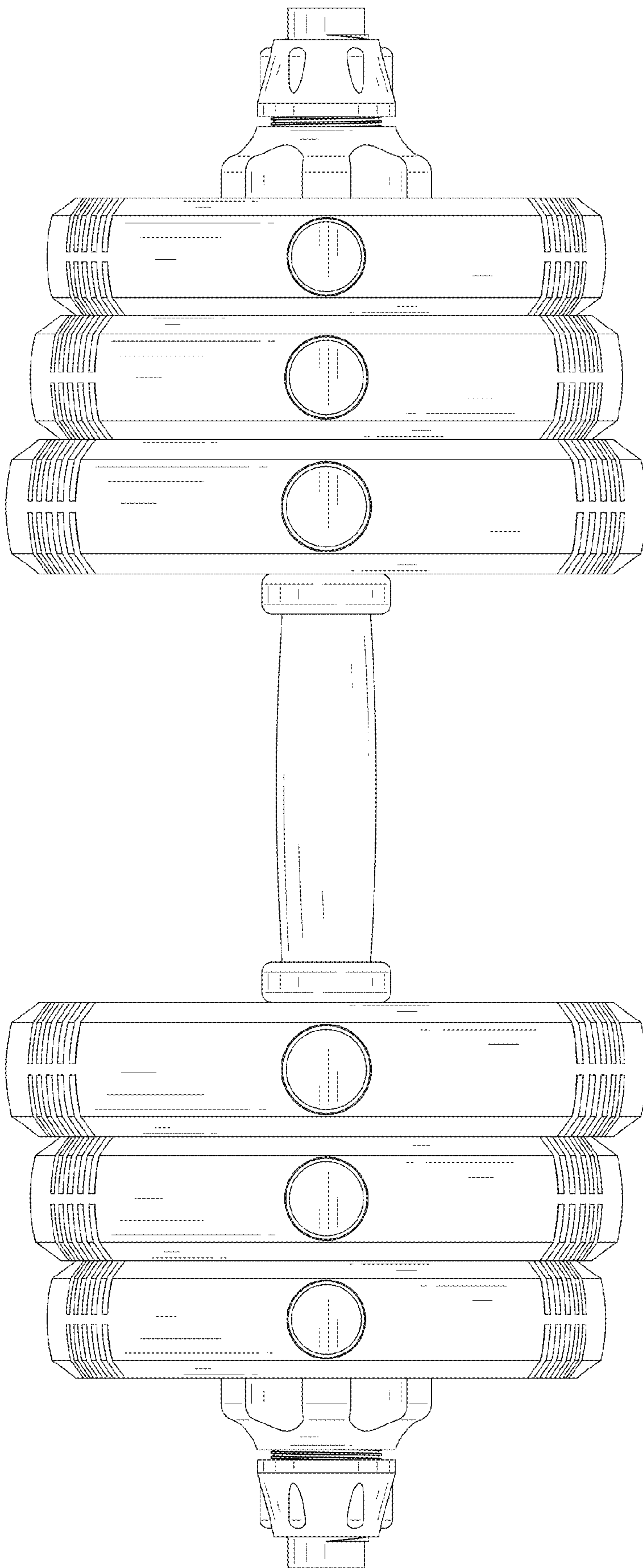


FIG. 3

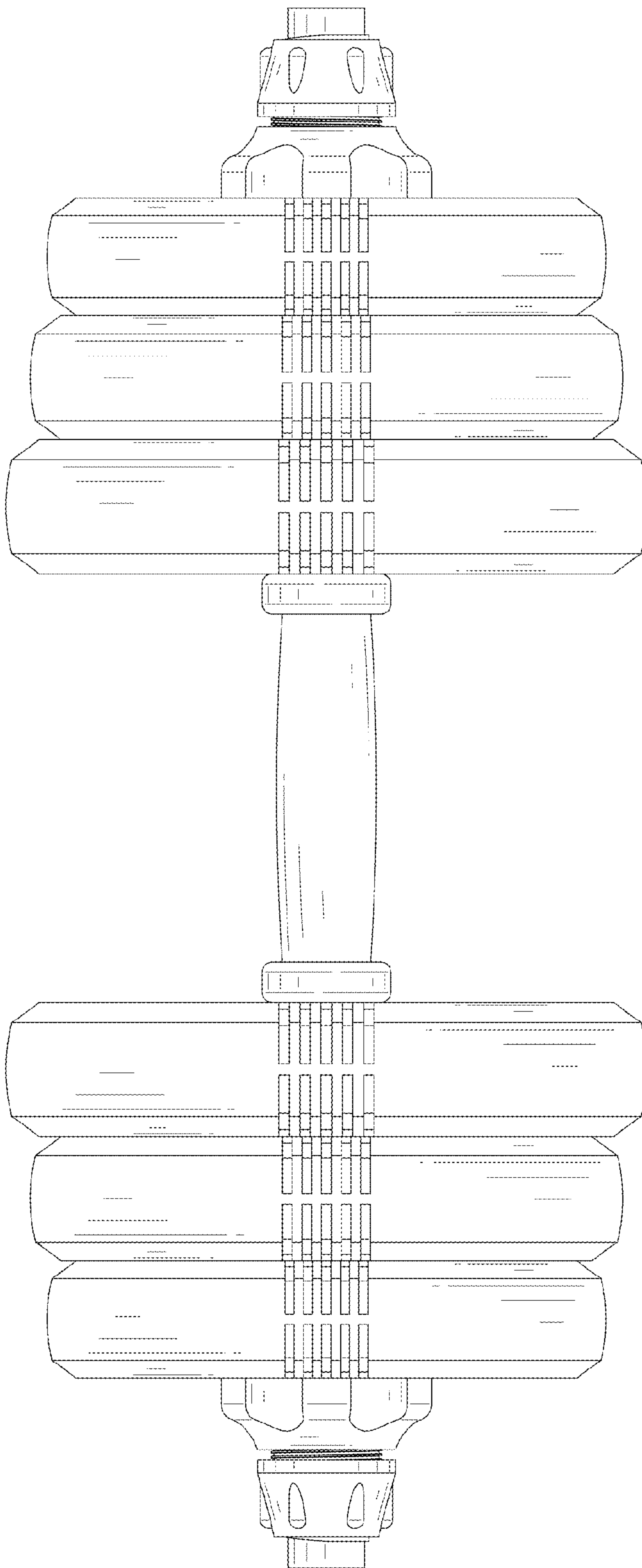


FIG. 4

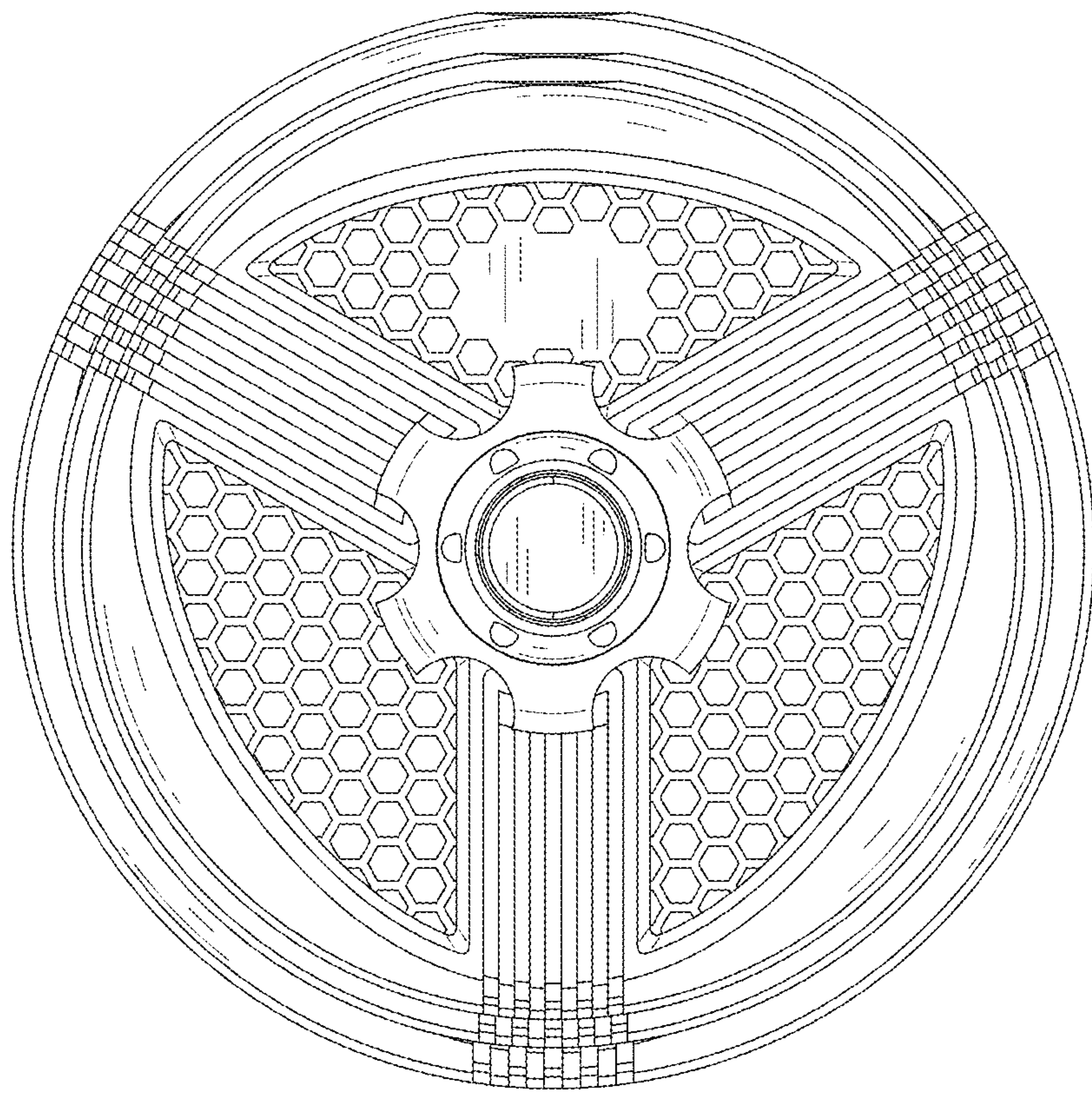


FIG. 5

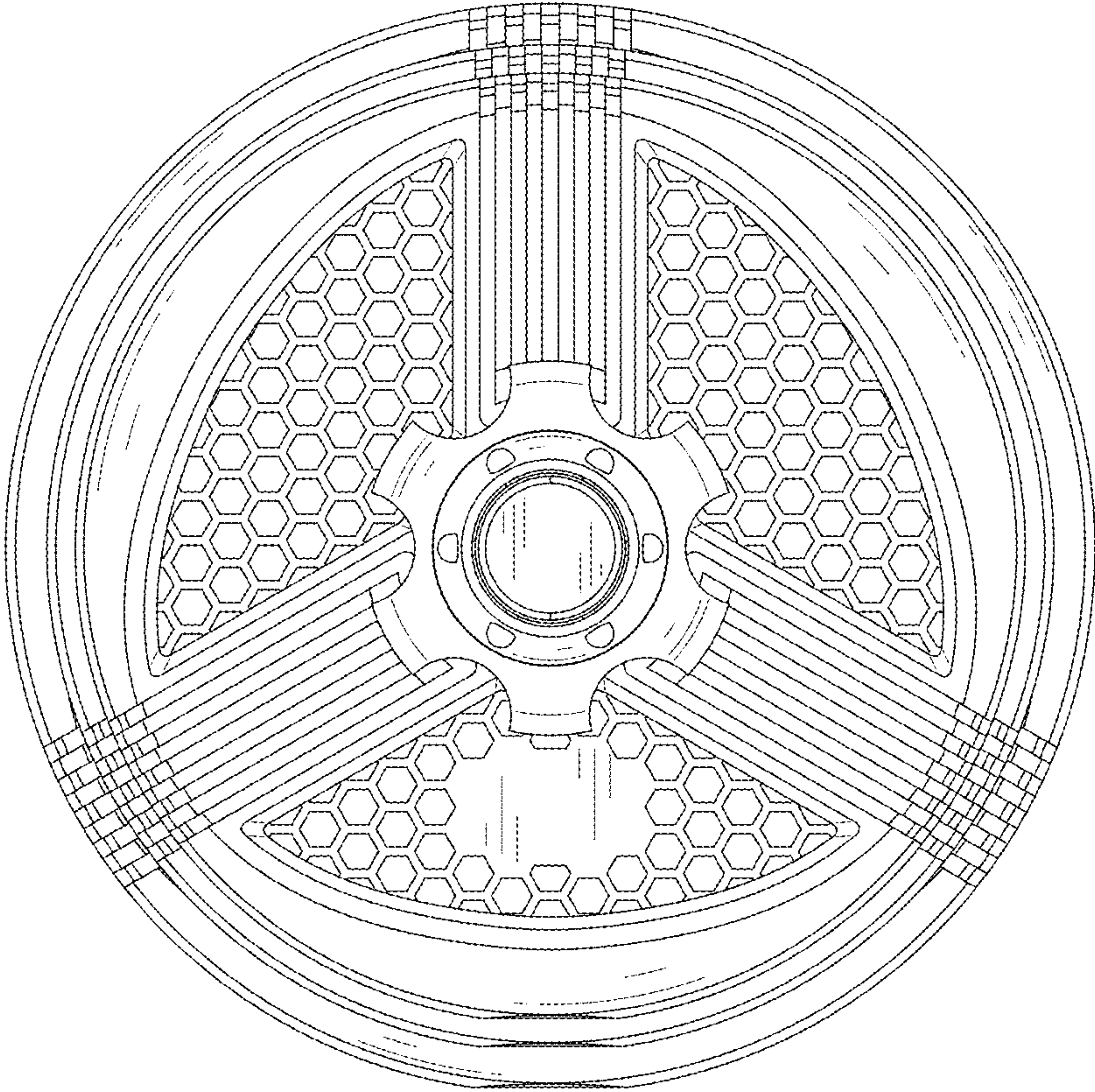


FIG. 6

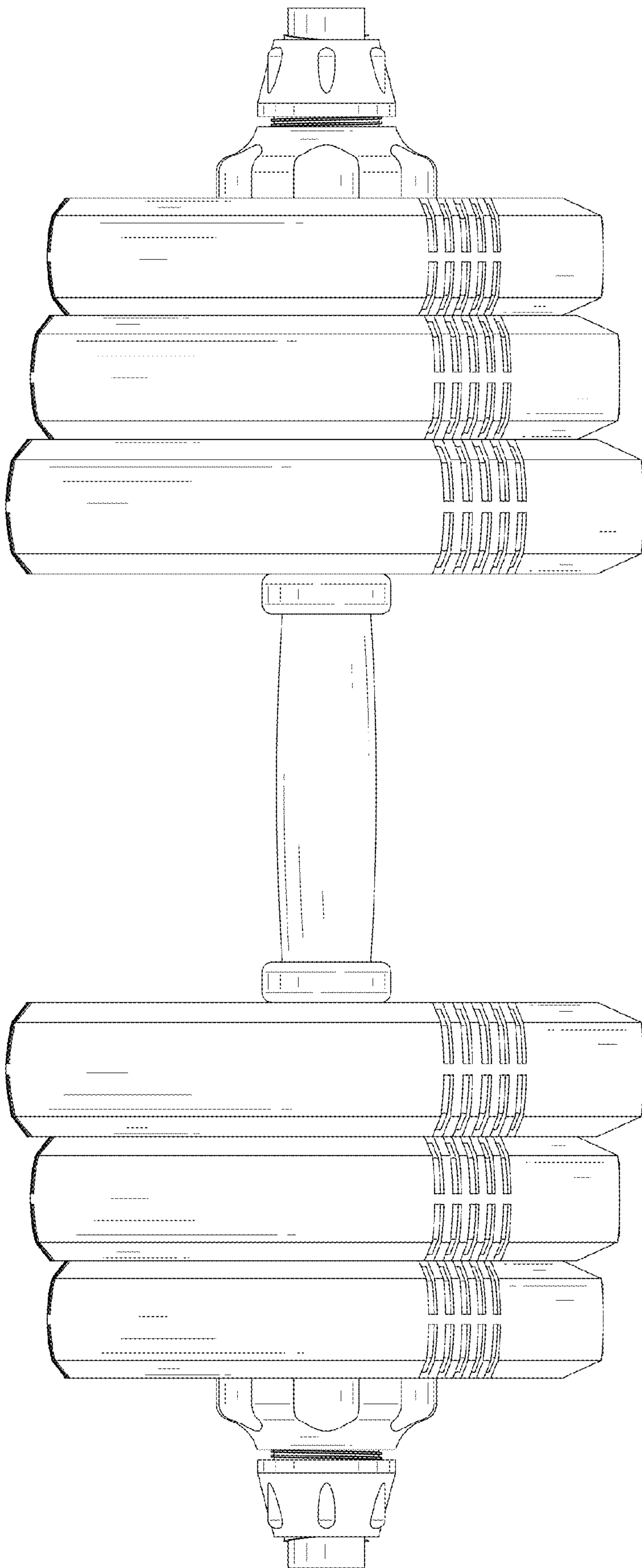


FIG. 7

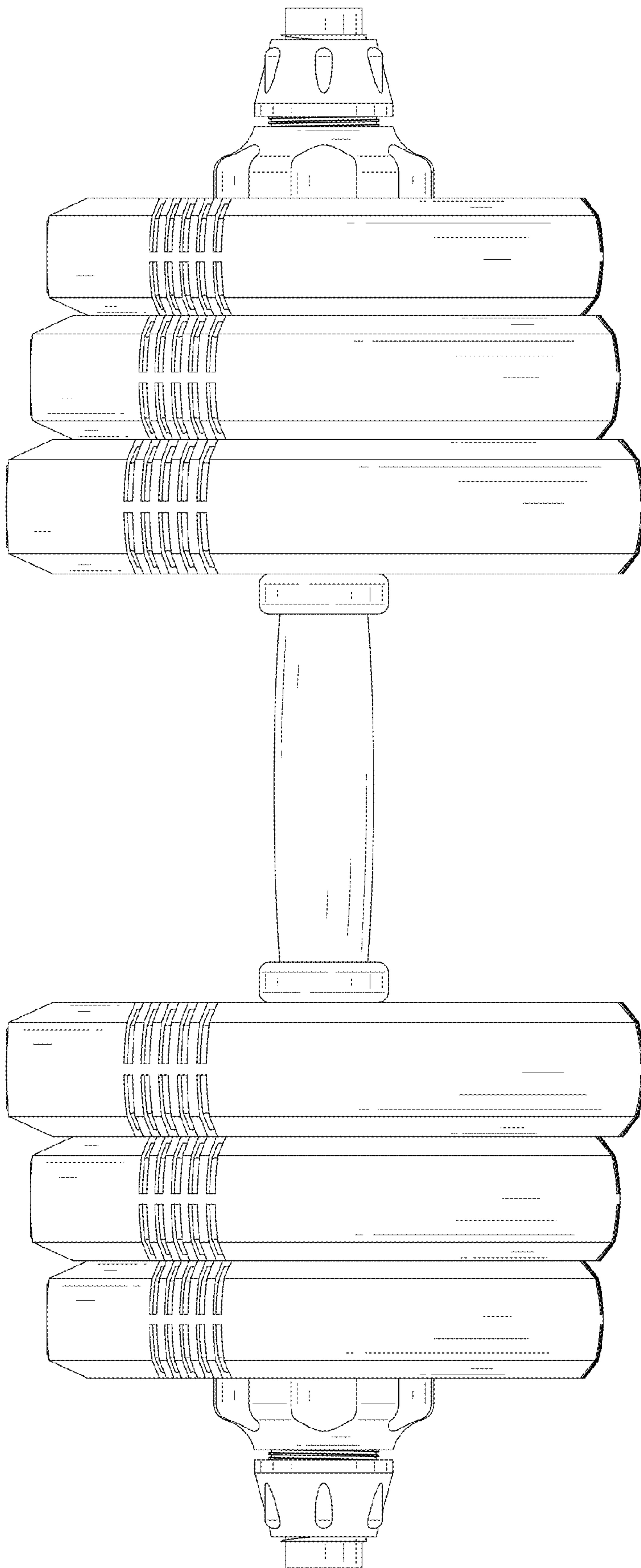


FIG. 8

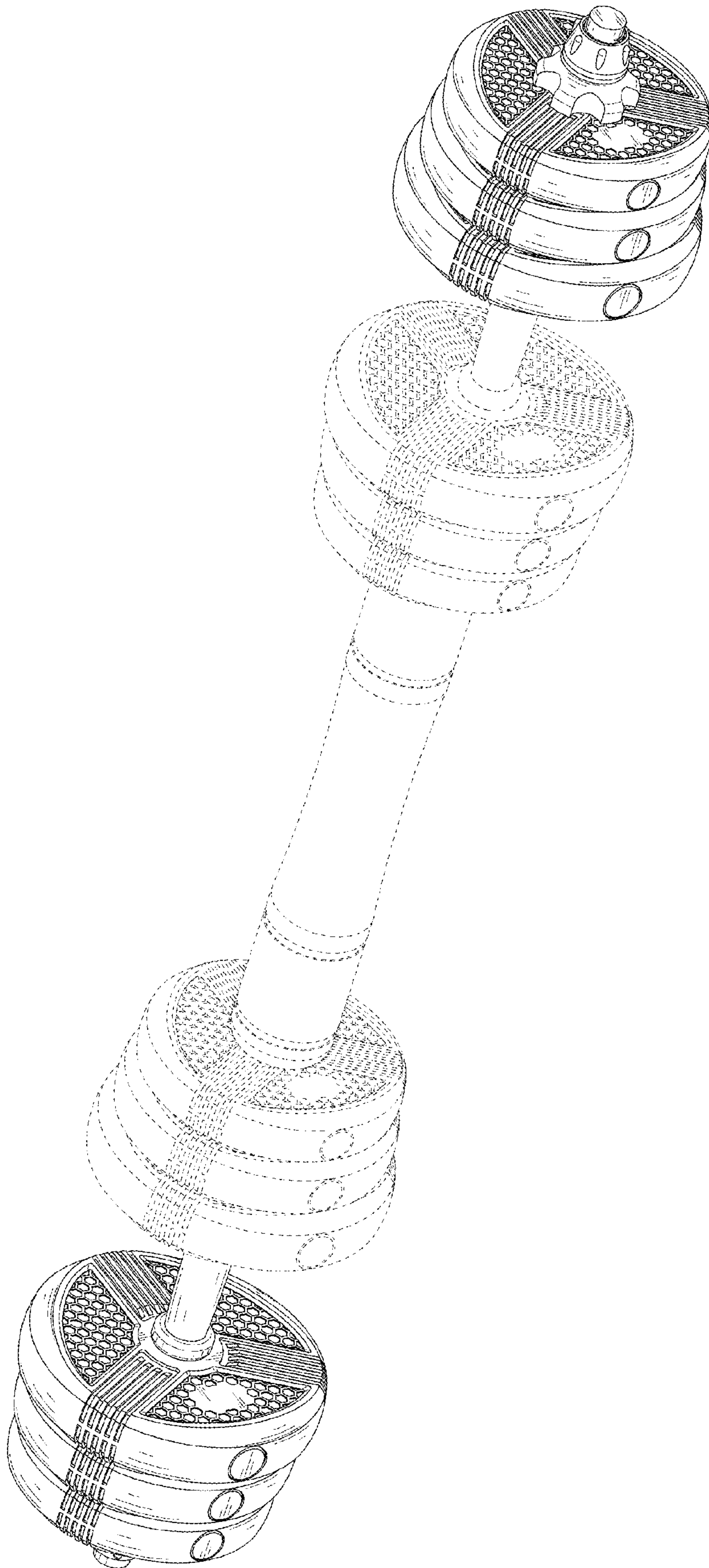


FIG. 9

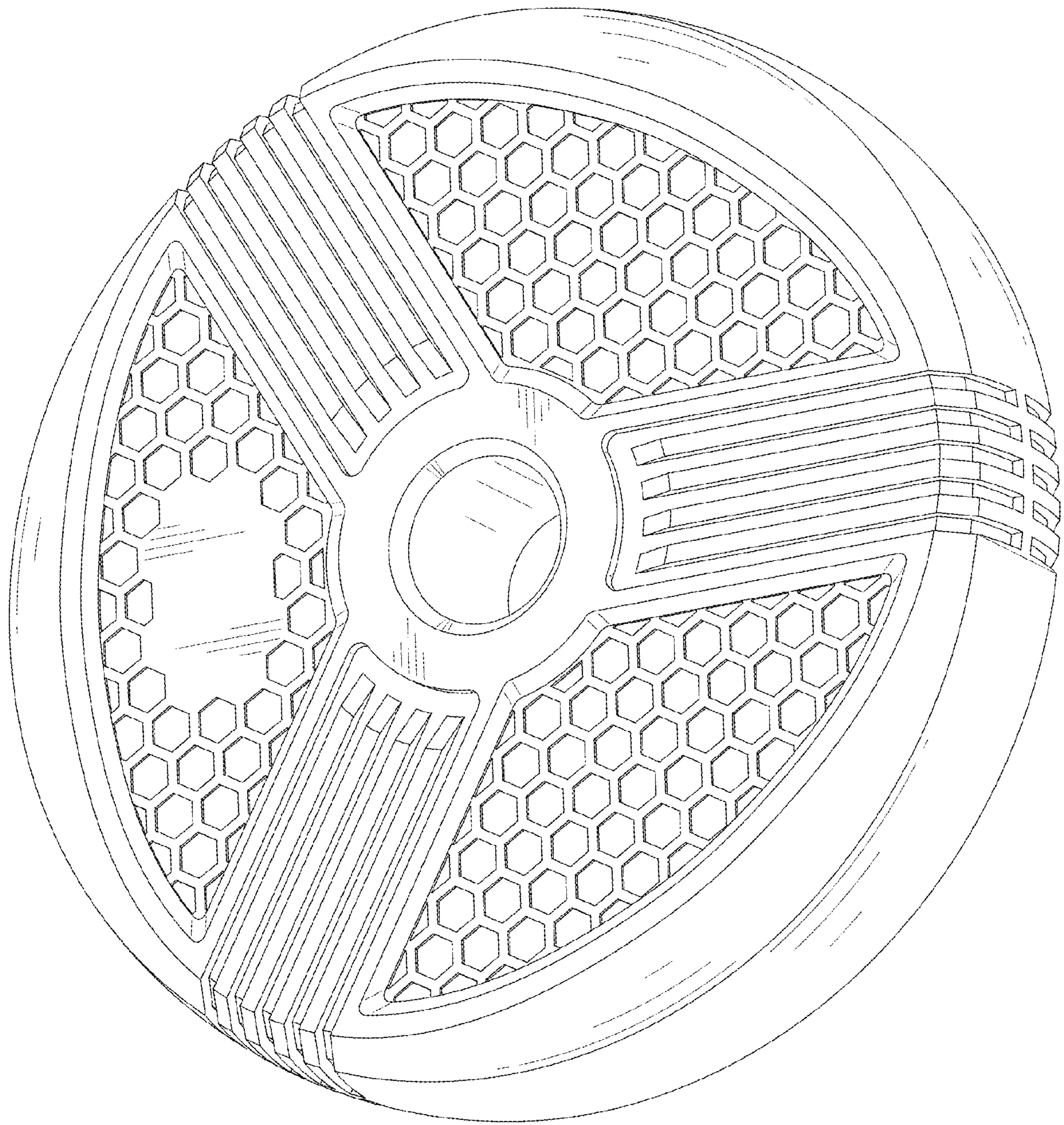


FIG. 10

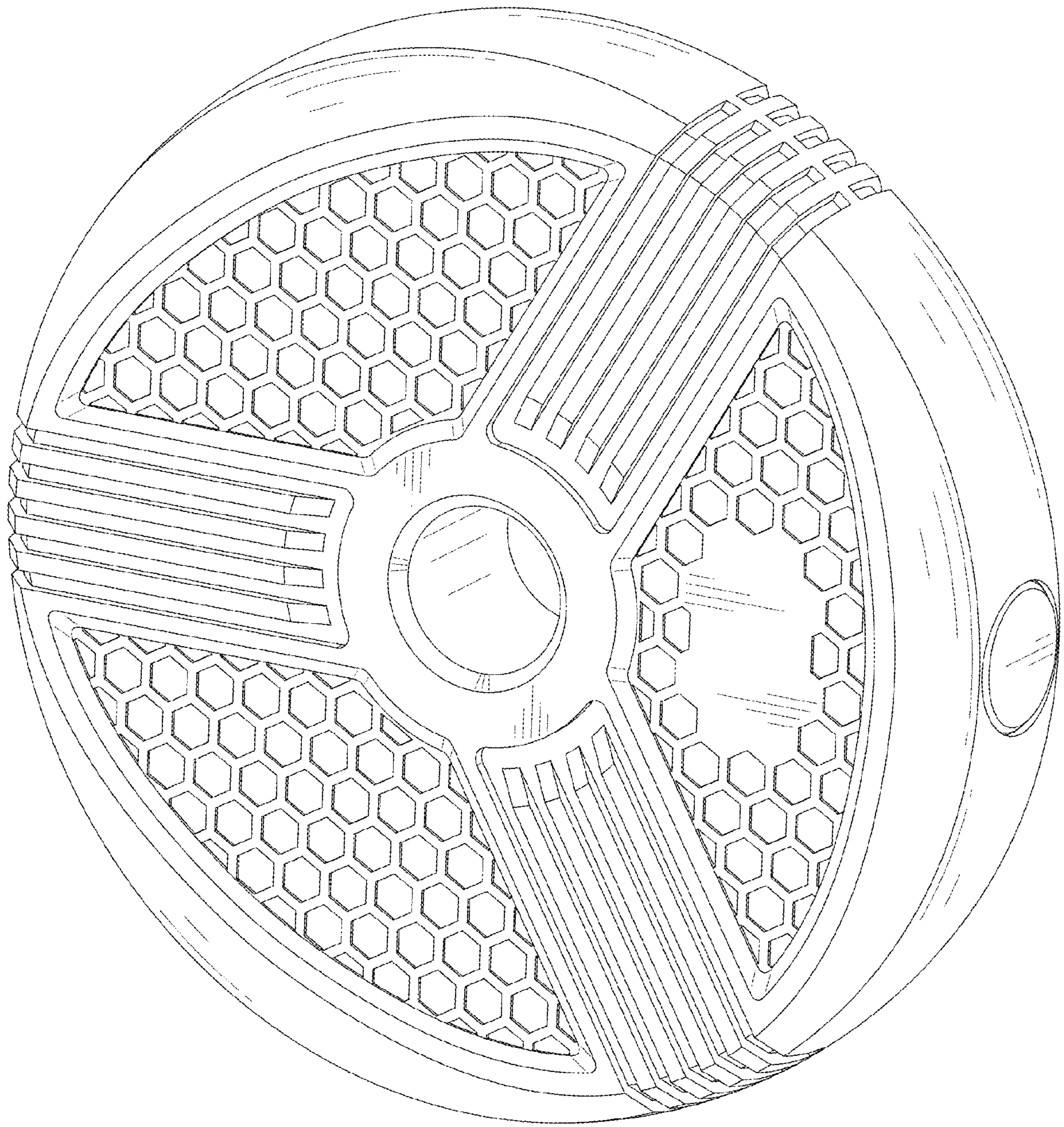


FIG. 11

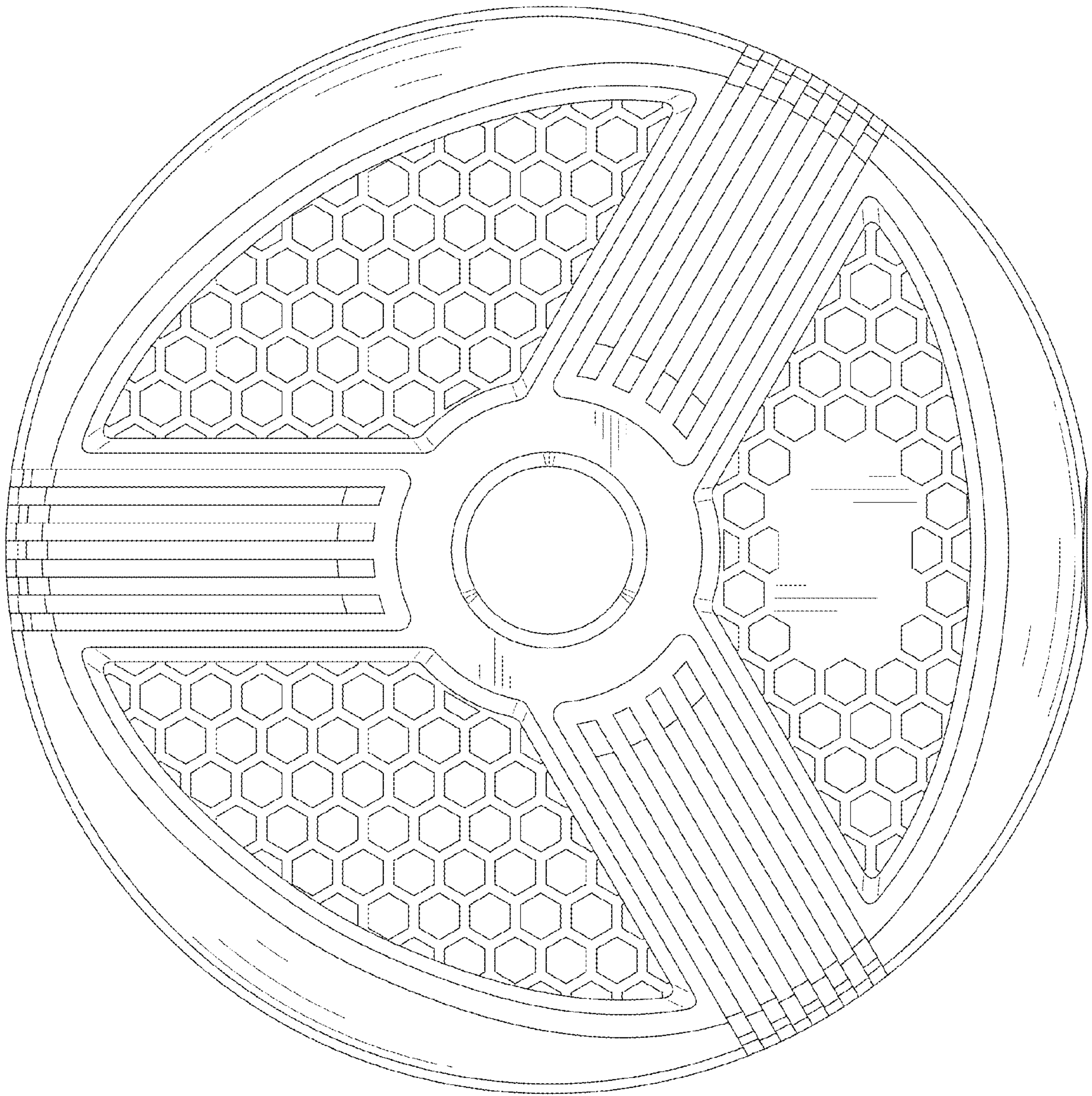


FIG. 12

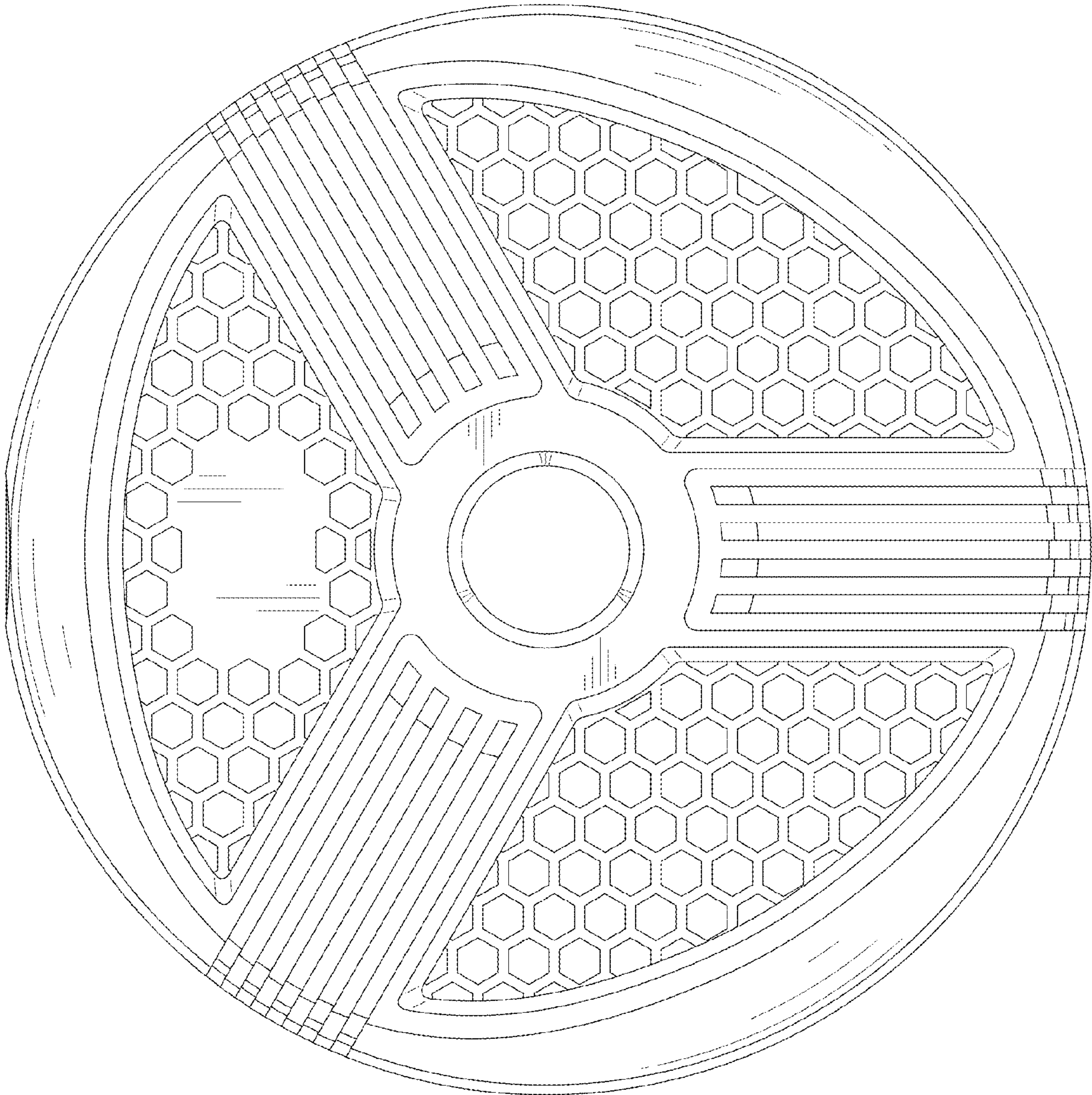


FIG. 13

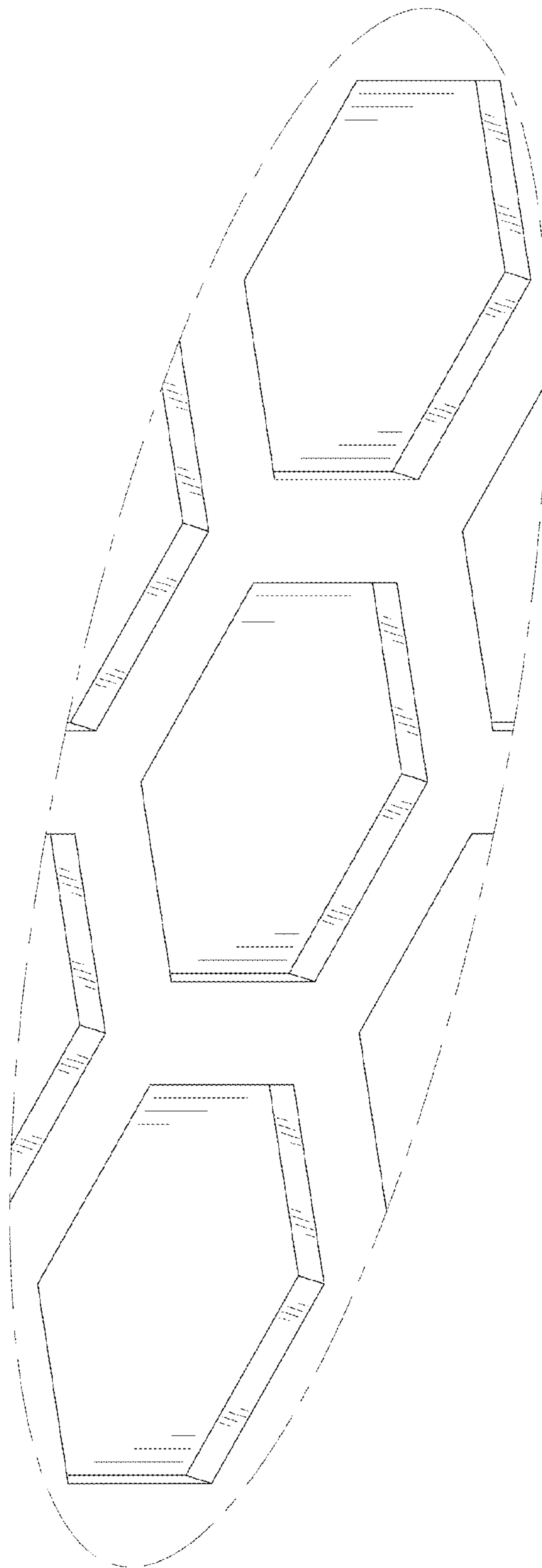


FIG. 14