



US00D927609S

(12) **United States Design Patent** (10) **Patent No.:** **US D927,609 S**
Wei (45) **Date of Patent:** **** Aug. 10, 2021**

(54) **PLUSH TOY**
(71) Applicant: **Liying Wei**, Guangdong (CN)
(72) Inventor: **Liying Wei**, Guangdong (CN)
(**) Term: **15 Years**
(21) Appl. No.: **29/768,134**

D755,312 S * 5/2016 Summers D21/650
D907,138 S 1/2021 Page
D907,140 S 1/2021 Page
2012/0220187 A1* 8/2012 Hillis A63H 5/00
446/297

FOREIGN PATENT DOCUMENTS

CN 303289260 * 7/2015
CN 303776889 * 8/2016

OTHER PUBLICATIONS

Amazon.com "LIGHTDESIRE Baby Toys Musical Caterpillar" (online) earliest review dated Nov. 9, 2016. Retrieved from Internet on Jun. 18, 2021, URL: https://www.amazon.com/LIGHTDESIRE-Musical-Caterpillar-Crinkle-Preschool/dp/B01M0KAB8F/ref=pd_lpo_21_t_0/140-9716694-0343320?_encoding=UTF8&pd_rd_i=B01MQKAB8F&pd_rd_r=9b4b5d1c-02d9-49a3-b32f-fa0ddf765b7f&pd_rd_w=d4fJU&pd_rd_wg=YQpbM&pf_rd_p=3b5203d9-bdd0-47f6-97e5-387010fc3251&pf_rd_r=E9QX5X918FW2V7062XA3&psc=1&refRID=E9QX5X918FW2V7062XA3 (15 pages).*

* cited by examiner

Primary Examiner — Wendy L Arminio
(74) *Attorney, Agent, or Firm* — ScienBiziP, P.C.

(57) **CLAIM**

The ornamental design for a plush toy, as shown and described.

DESCRIPTION

FIG. 1 is a front, left, and top perspective view of a plush toy, showing my design.
FIG. 2 is a rear, right, and bottom perspective view thereof.
FIG. 3 is a front elevation view thereof.
FIG. 4 is a rear elevation view thereof.
FIG. 5 is a left side elevation view thereof.
FIG. 6 is a right side elevation view thereof.
FIG. 7 is a top plan view thereof; and,
FIG. 8 is a bottom plan view thereof.

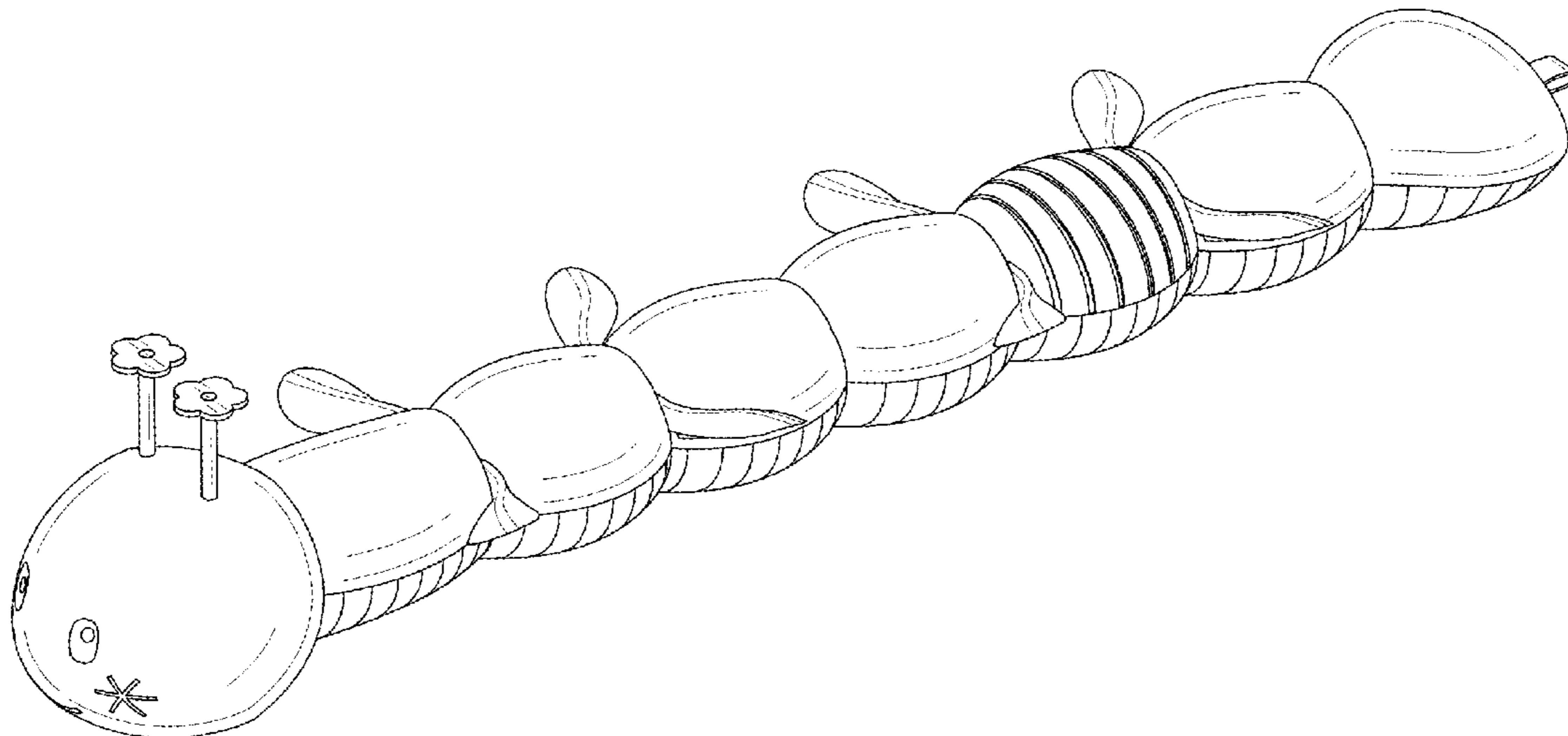
1 Claim, 8 Drawing Sheets

(22) Filed: **Jan. 27, 2021**
(51) **LOC (13) Cl.** **21-01**
(52) **U.S. Cl.**
USPC **D21/650**
(58) **Field of Classification Search**
USPC D6/598; D9/601, 630; D11/158;
D21/576-595, 650; D30/160
CPC ... A63H 3/00; A63H 3/02; A63H 3/04; A63H
3/16; A63H 3/26; A63H 3/28; A63H
11/00; A63H 11/10; A63H 11/18; A63H
11/20; A63H 11/205; A63H 13/00; A63H
13/03; A63H 13/18; A63H 15/06; A63H
33/00; A63H 33/006; A63H 2011/16
See application file for complete search history.

(56) **References Cited**

U.S. PATENT DOCUMENTS

D164,549 S * 9/1951 Brice D21/650
D171,399 S * 2/1954 Howes D21/650
2,728,168 A * 12/1955 Gier A63H 11/205
446/177
D226,469 S * 3/1973 Hurd D6/598
D254,798 S * 4/1980 Johnstone D21/650
D388,141 S * 12/1997 Nielsen D21/585
D409,037 S * 5/1999 Bear D21/650
D413,355 S * 8/1999 Cogliano D21/650
6,074,212 A * 6/2000 Cogliano G09B 5/06
434/159
D439,624 S * 3/2001 Webb D21/650
6,623,328 B1 * 9/2003 Theel A01K 15/026
119/707
D547,668 S * 7/2007 Perez D21/650
D562,897 S * 2/2008 Ballinger D21/650
D690,993 S * 10/2013 Im D7/401.2



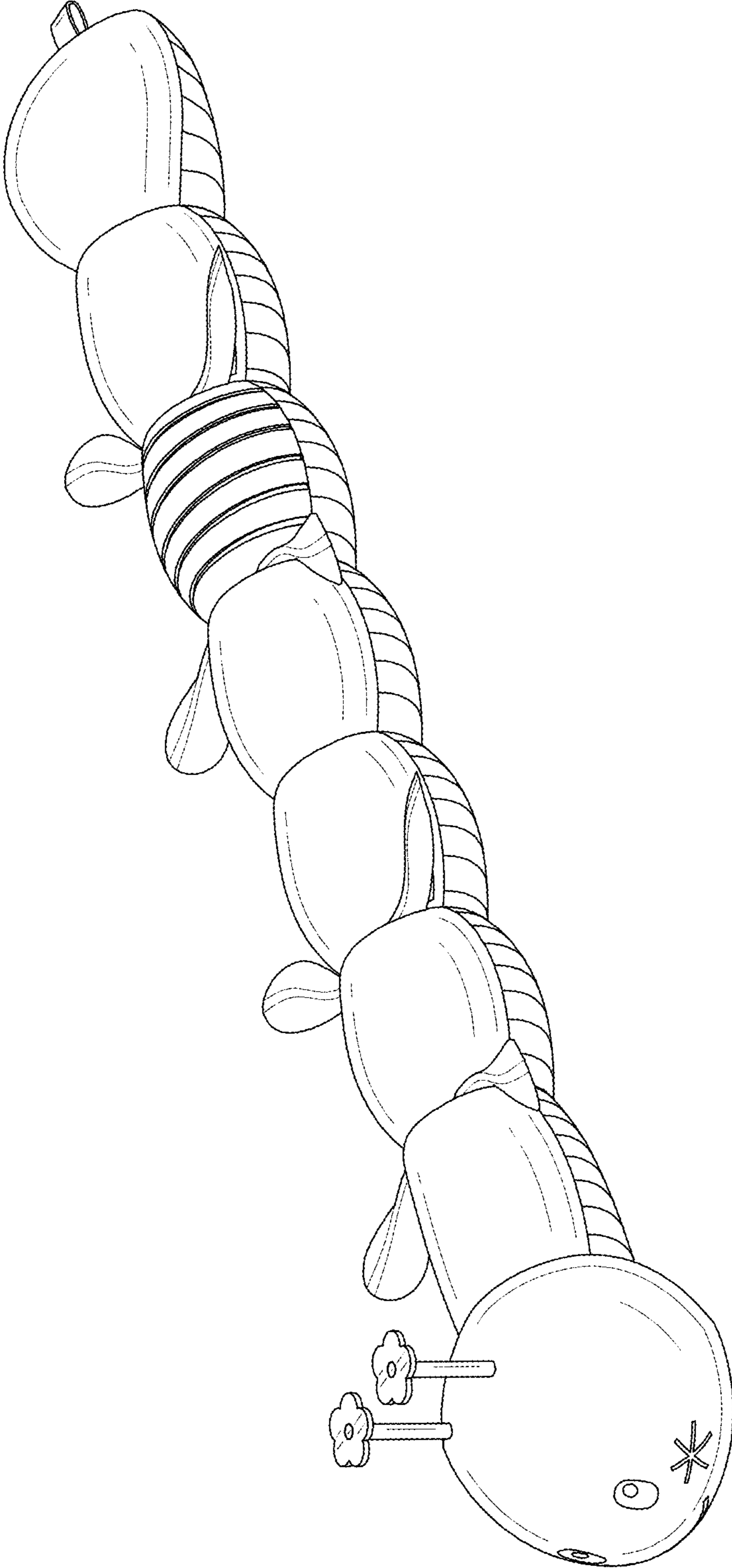


FIG.1



FIG.2

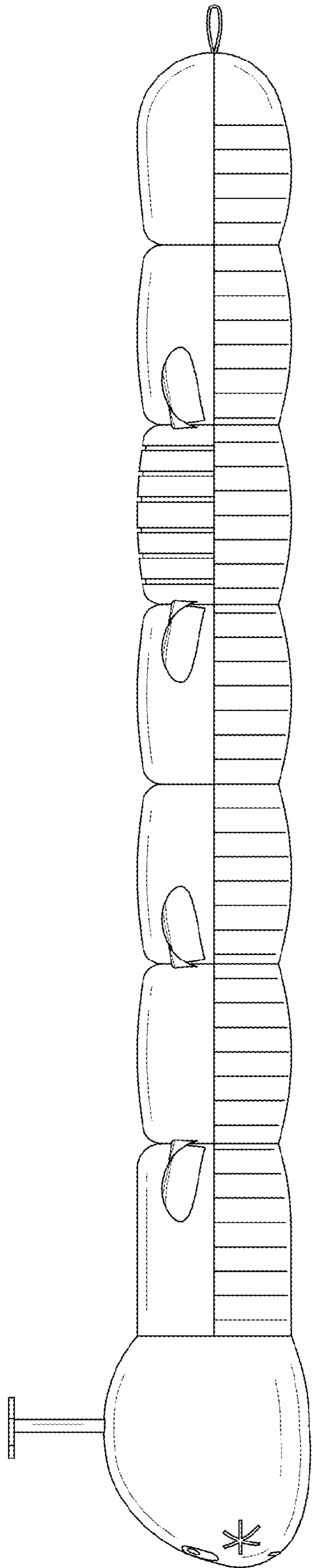


FIG.3

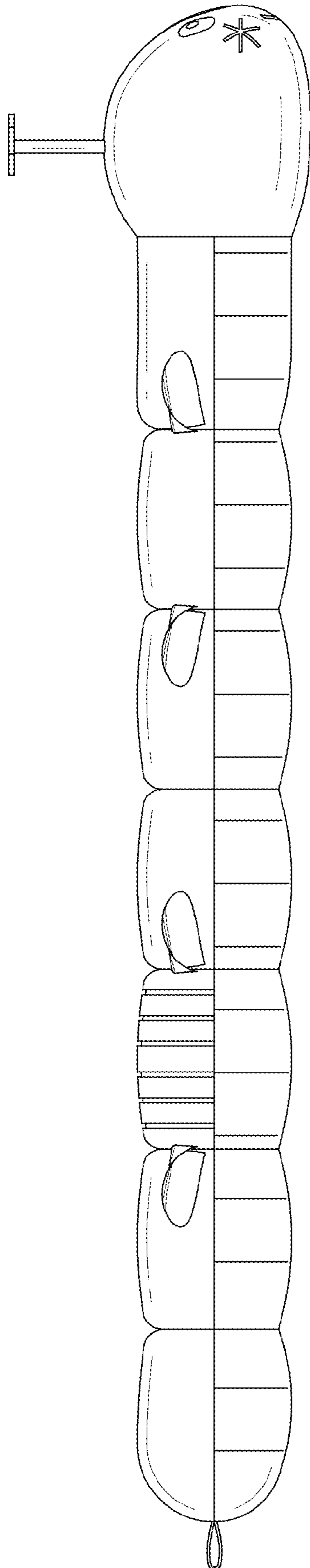


FIG.4

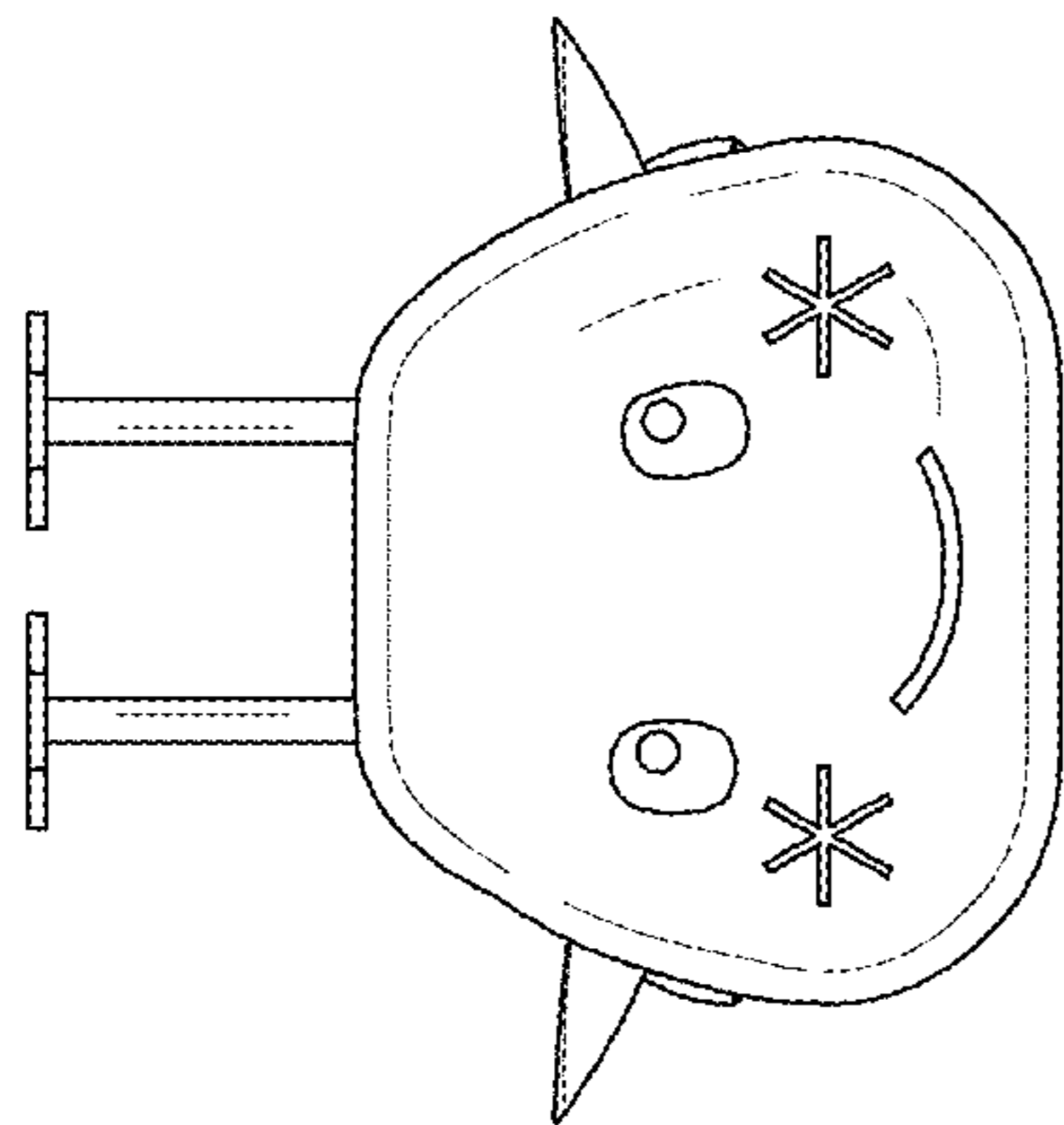


FIG. 5

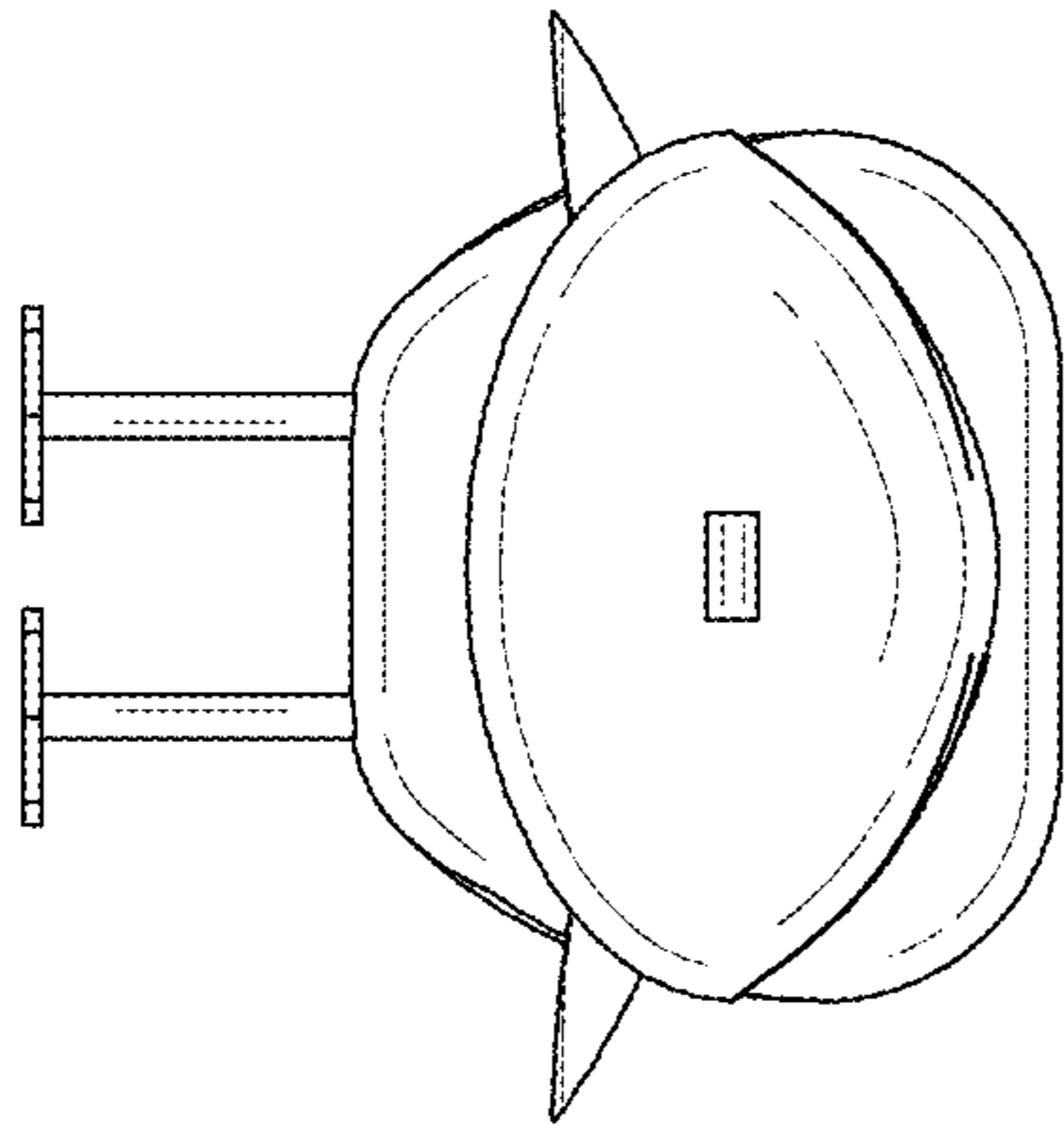


FIG.6

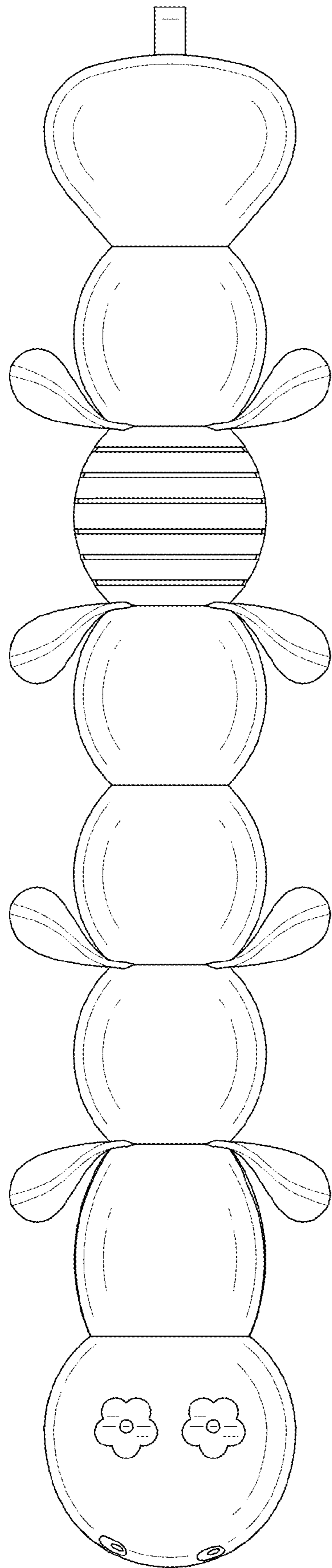


FIG.7

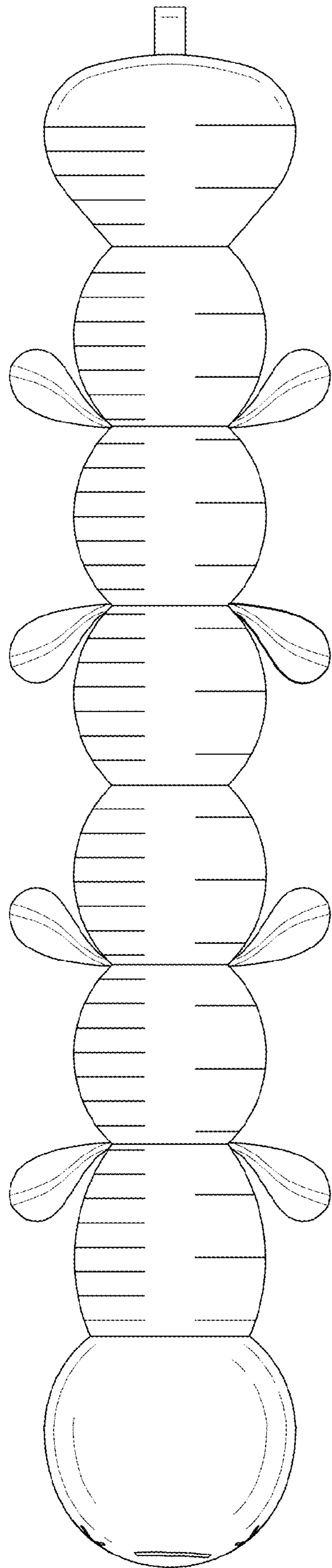


FIG.8