



US00D927606S

(12) **United States Design Patent** (10) **Patent No.:** **US D927,606 S**
Lee (45) **Date of Patent:** **** Aug. 10, 2021**

(54) **SOLAR-POWERED TOY**
(71) Applicant: **Wen-Hsien Lee**, New Taipei (TW)
(72) Inventor: **Wen-Hsien Lee**, New Taipei (TW)
(**) Term: **15 Years**
(21) Appl. No.: **29/724,007**
(22) Filed: **Feb. 12, 2020**
(51) **LOC (13) Cl.** **21-02**
(52) **U.S. Cl.**
USPC **D21/578**
(58) **Field of Classification Search**
USPC D21/578-583, 621-622
CPC B25J 9/0006; B25J 9/0009; B25J 9/0003;
B25J 9/00
See application file for complete search history.

(56) **References Cited**
U.S. PATENT DOCUMENTS
D445,849 S * 7/2001 Saito D21/578
D454,378 S * 3/2002 Hornsby D21/578
D457,203 S * 5/2002 Onishi D21/578
D457,205 S * 5/2002 Hornsby D21/578
D461,857 S * 8/2002 Hornsby D21/578
D483,816 S * 12/2003 Nakase D21/578
D484,196 S * 12/2003 Nakase D21/578

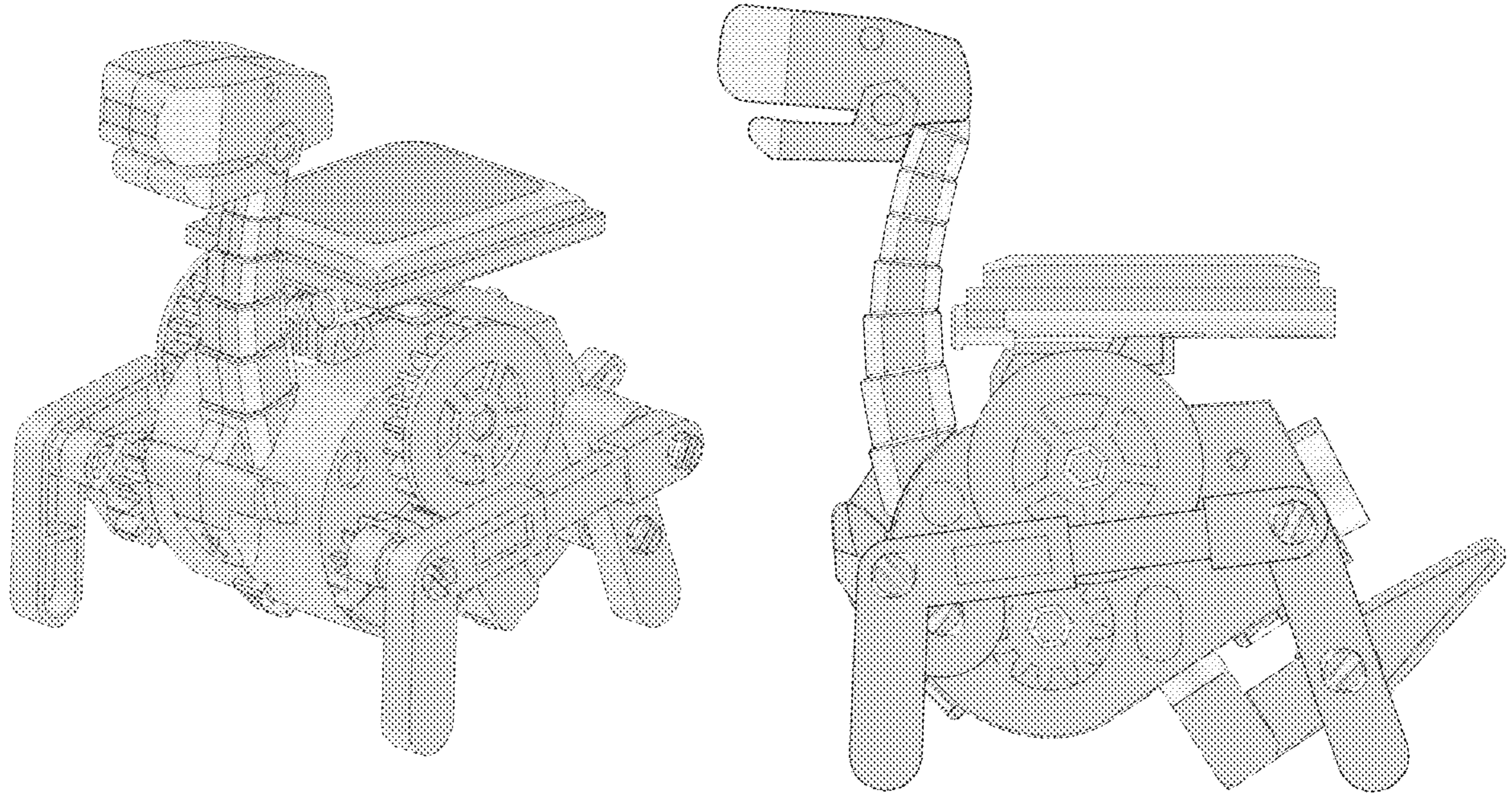
D507,309 S * 7/2005 Nakase D21/578
D598,964 S * 8/2009 Harano D21/578
D783,736 S * 4/2017 Goldsmith D21/578
D811,494 S * 2/2018 Lee D21/654
D882,705 S * 4/2020 Lee D21/578
D883,402 S * 5/2020 Lee D21/578
D891,536 S * 7/2020 Fantino D21/584

* cited by examiner
Primary Examiner — Michael C Stout
Assistant Examiner — Melvin L Davis
(74) *Attorney, Agent, or Firm* — Karin L. Williams; Alan D. Kamrath; Mayer & Williams PC

(57) **CLAIM**
The ornamental design for a solar-powered toy, as shown and described.

DESCRIPTION
FIG. 1 is a perspective view of a solar-powered toy showing my new design;
FIG. 2 is another perspective view thereof;
FIG. 3 is a front view thereof;
FIG. 4 is a rear view thereof;
FIG. 5 is a left side view thereof;
FIG. 6 is a right side view thereof;
FIG. 7 is a top view thereof; and,
FIG. 8 is a bottom view thereof.
The broken lines depict portions of the article that form no part of the claimed design.

1 Claim, 8 Drawing Sheets



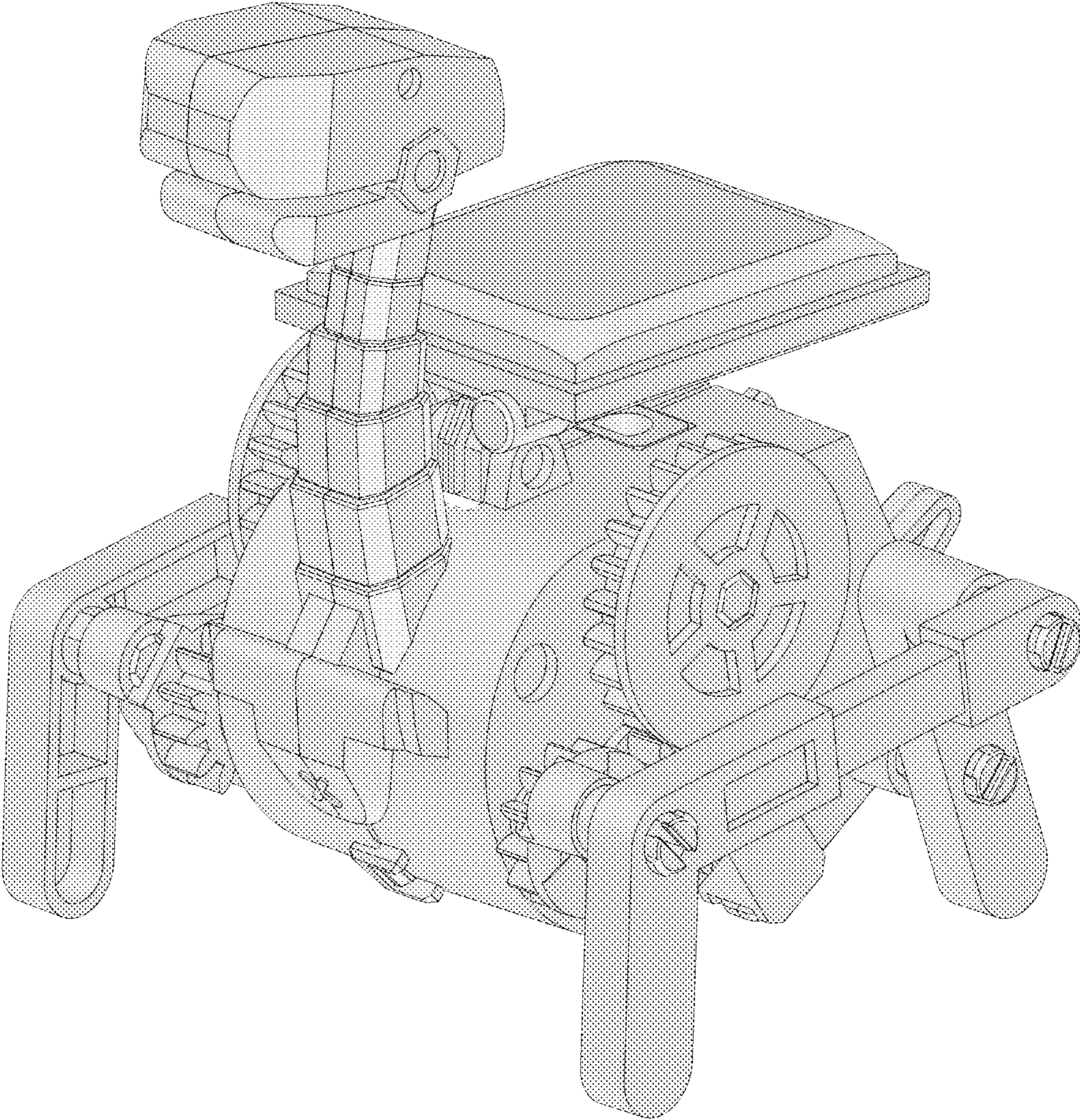


FIG. 1

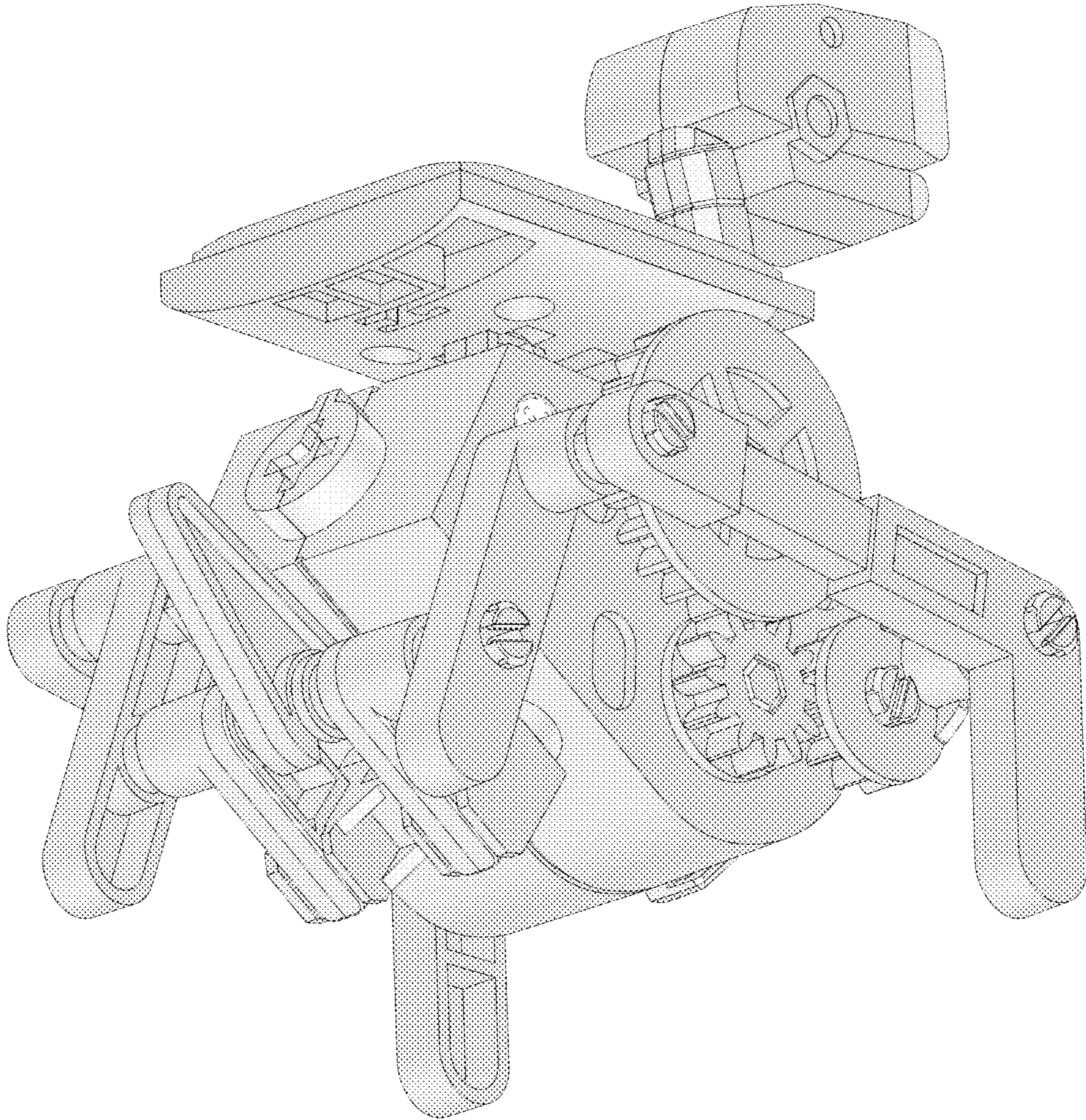


FIG. 2

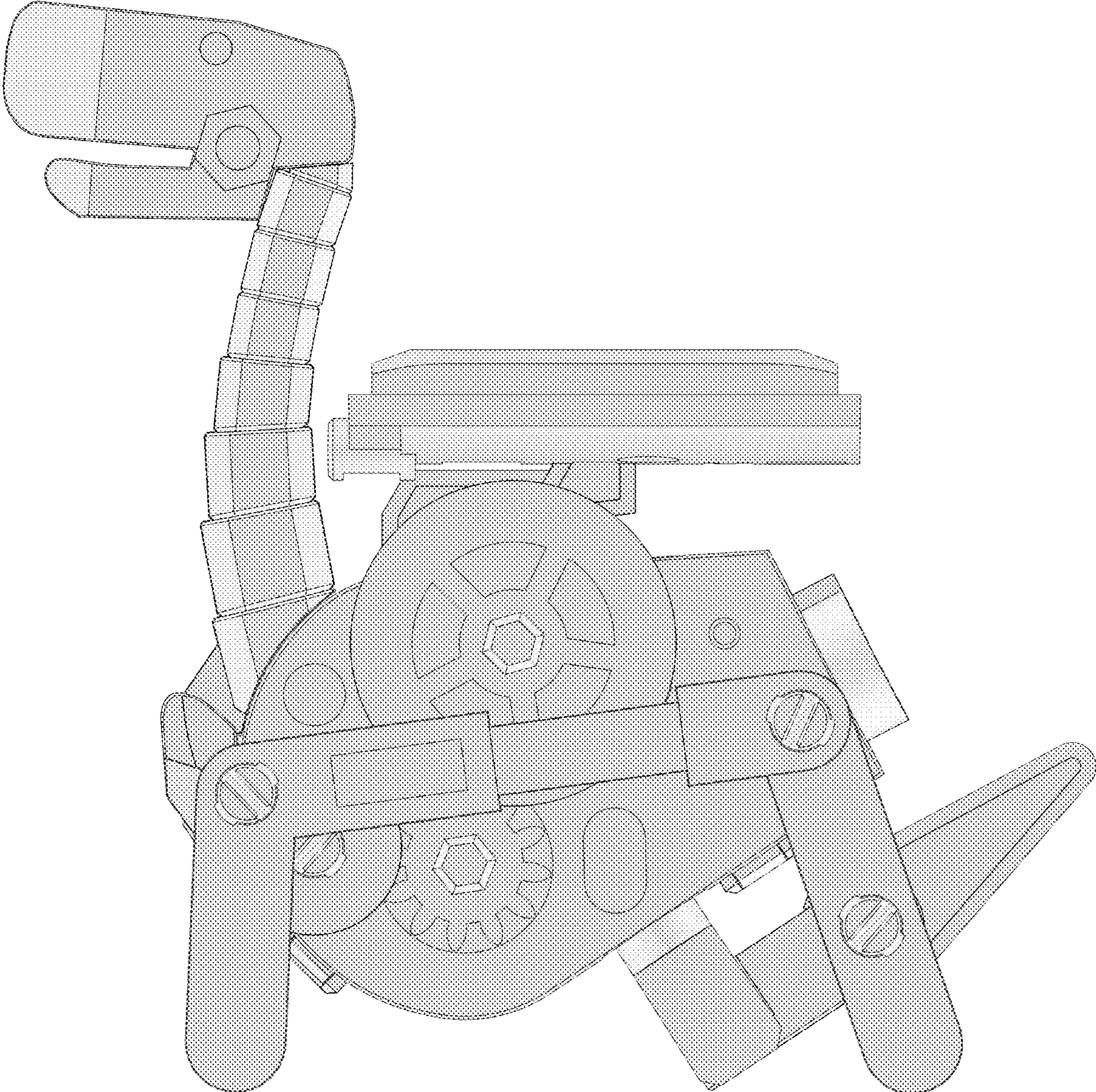


FIG. 3

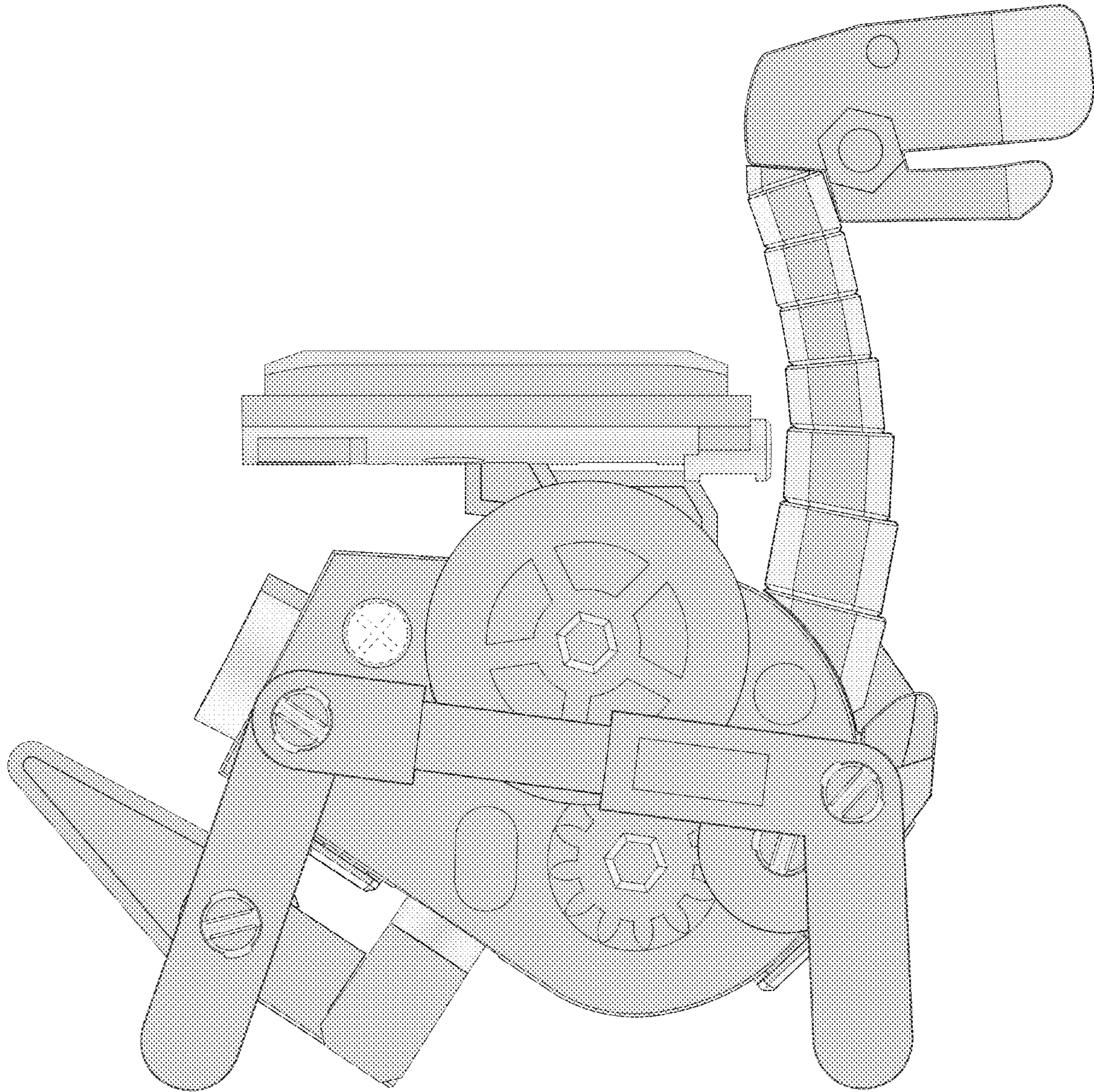


FIG. 4

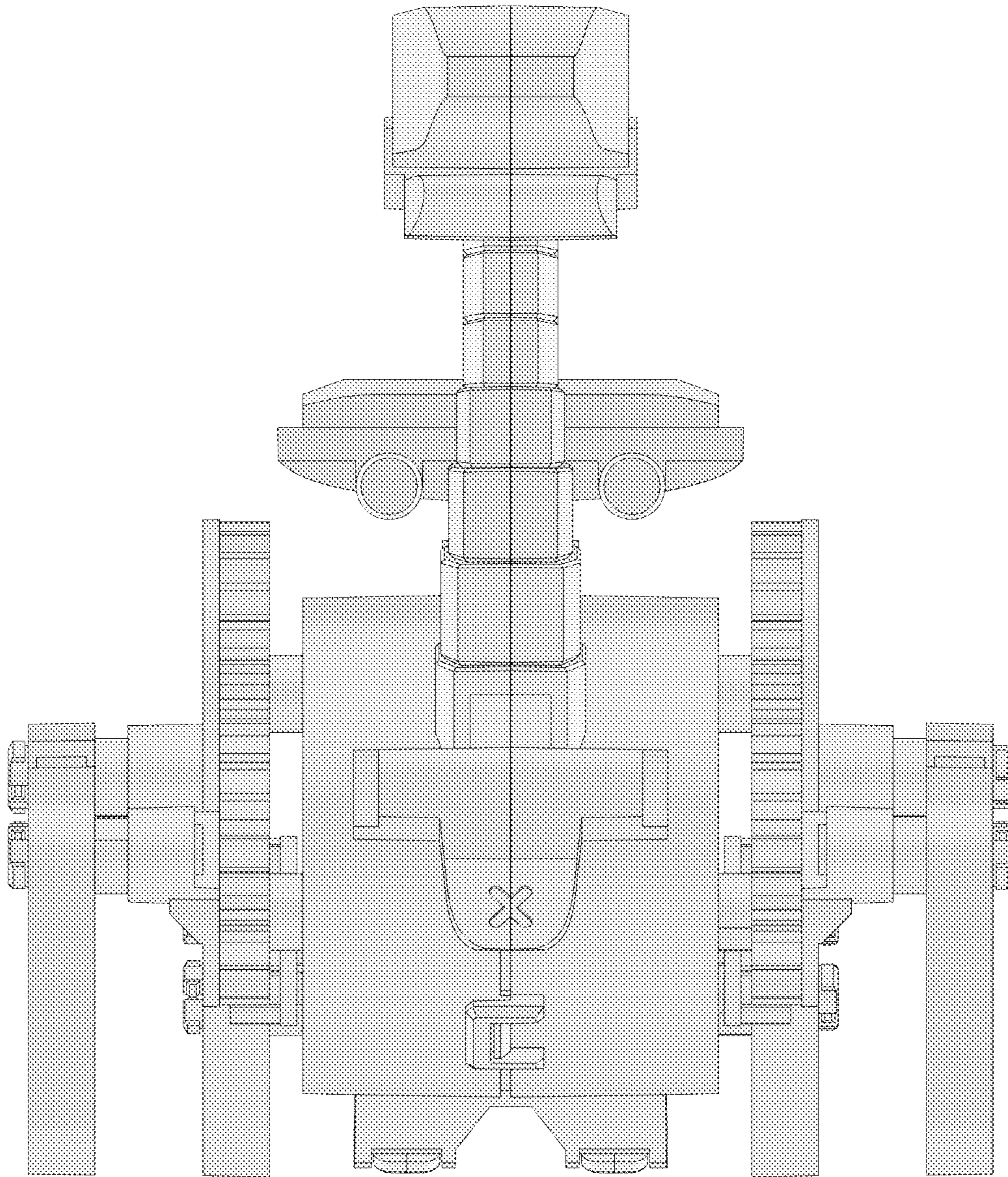


FIG. 5

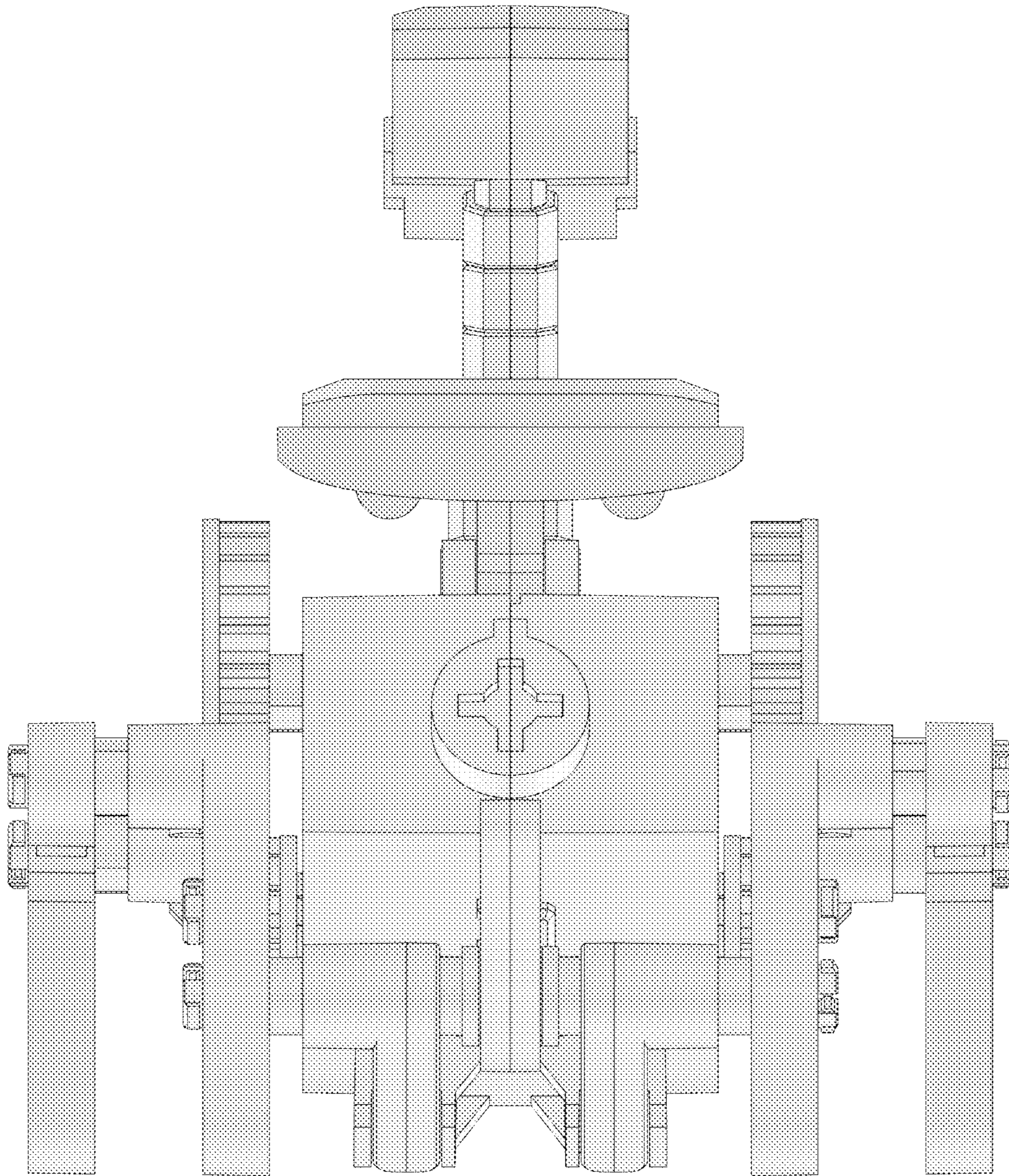


FIG. 6

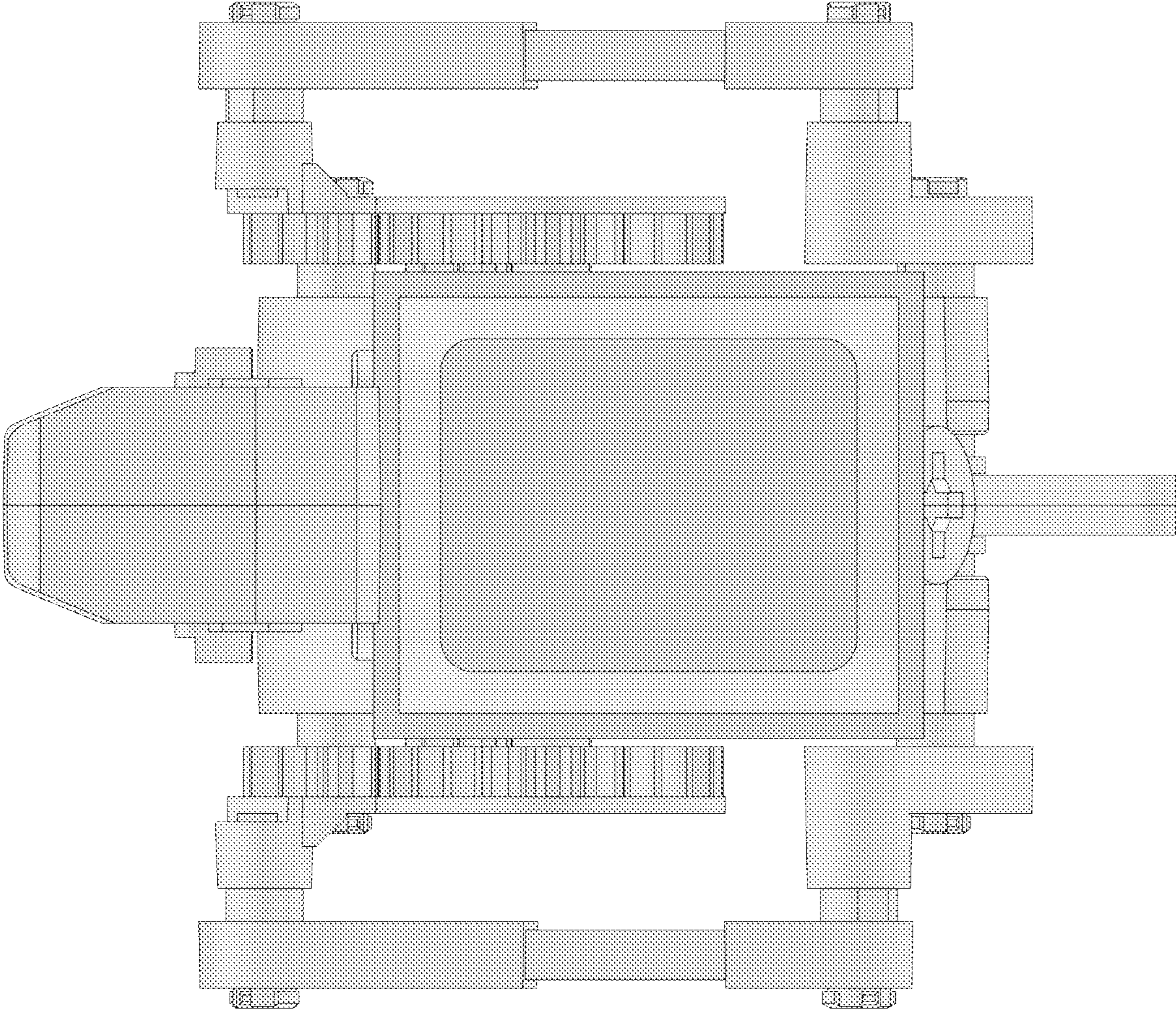


FIG. 7

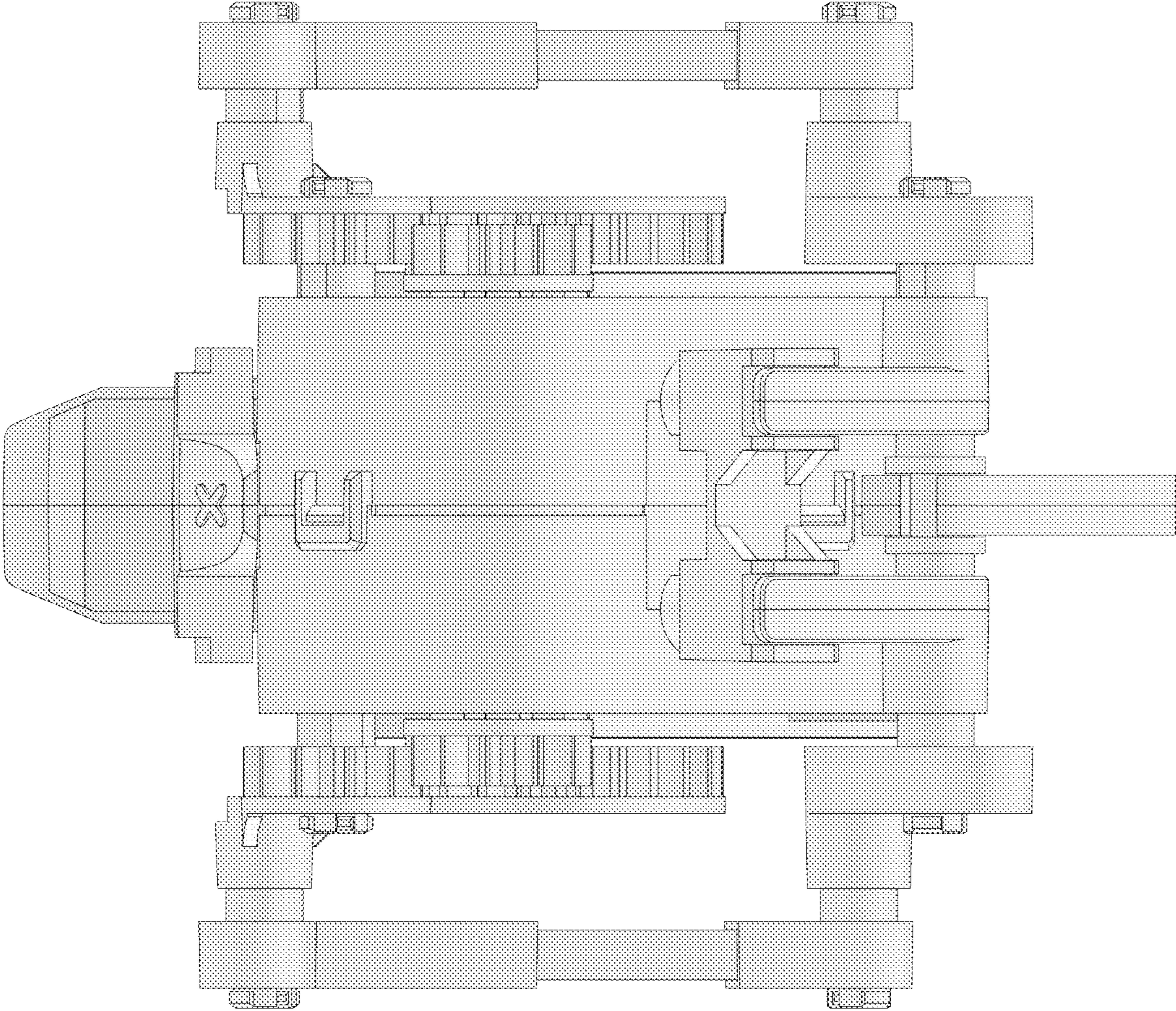


FIG. 8