



US00D927605S

(12) **United States Design Patent** (10) **Patent No.:** **US D927,605 S**
Sprowl et al. (45) **Date of Patent:** **** Aug. 10, 2021**

(54) **MODEL VEHICLE BODY WASHER**

- (71) Applicant: **TRAXXAS LP**, McKinney, TX (US)
- (72) Inventors: **Jory Sprowl**, Honey Grove, TX (US); **Skylar Hagler**, Anna, TX (US); **Otto Karl Allmendinger**, Rowlett, TX (US)
- (73) Assignee: **TRAXXAS LP**, McKinney, TX (US)
- (**) Term: **15 Years**
- (21) Appl. No.: **29/688,095**
- (22) Filed: **Apr. 18, 2019**
- (51) **LOC (13) Cl.** **21-01**
- (52) **U.S. Cl.**
USPC **D21/561**
- (58) **Field of Classification Search**
USPC D21/548, 561-562; D8/71, 399;
D14/483; D15/143, 147, 199
CPC A63H 17/00; A63H 17/002; A63H 17/004;
A63H 17/26; A63H 17/262; A63H
17/264; A63H 17/266; A63H 17/34;
A63H 17/36; A63H 17/38; A63H 29/00;
A63H 29/16; A63H 29/165; A63H 29/22;
A63H 29/24; F16F 9/145; F16F 9/12
See application file for complete search history.

(56) **References Cited**

U.S. PATENT DOCUMENTS

4,371,293	A	2/1983	Wilcox et al.	
D281,187	S	* 10/1985	Wiese	D21/561
D284,165	S	6/1986	Brilando et al.	
D364,084	S	* 11/1995	Yaich	D8/356
D373,370	S	9/1996	Anthony	
D399,730	S	10/1998	Pitre	
D404,128	S	1/1999	Huebner	
D429,254	S	8/2000	Bisschop	

(Continued)

OTHER PUBLICATIONS

Grote 93402 Black Grommet for Small Rectangular Light (PVC), Jul. 7, 2004, Amazon.com, Jun. 16, 2021 ,url: https://www.amazon.com/Grote-93402-Black-Grommet-Rectangular/dp/B000FBUL62 (Year: 2004).*

(Continued)

Primary Examiner — Jack Reickel
Assistant Examiner — Keith J Wilson

(74) *Attorney, Agent, or Firm* — Daryl R. Wright; Greg Carr

(57) **CLAIM**

We claim the ornamental design for a model vehicle body washer, as shown and described.

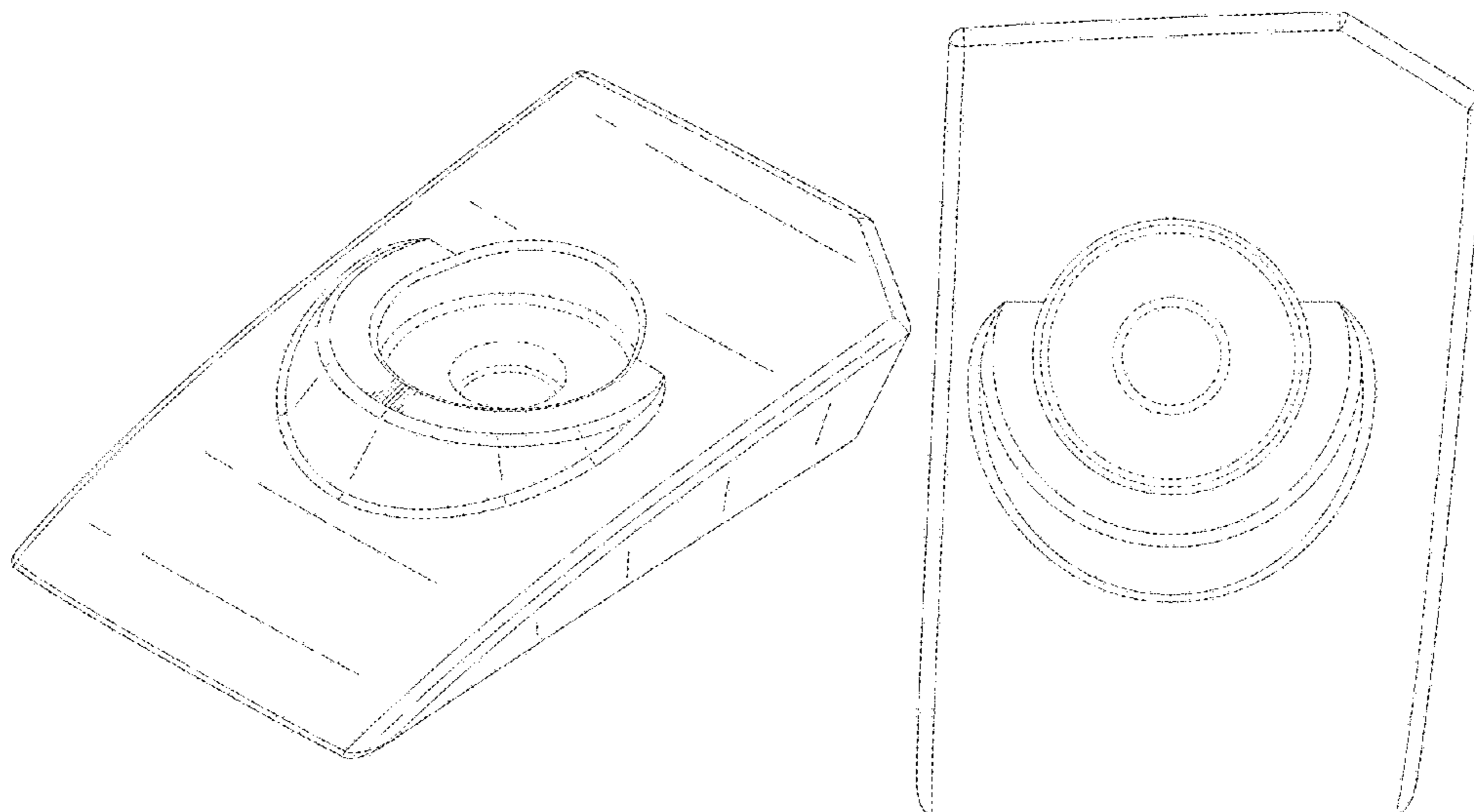
DESCRIPTION

FIG. 1 is an upper, left, front perspective view of a model vehicle body washer;
FIG. 2 is front elevation view thereof;
FIG. 3 is a rear elevation view thereof;
FIG. 4 is a left side elevation view thereof;
FIG. 5 is a right side elevation view thereof;
FIG. 6 is a top plan view thereof;
FIG. 7 is a bottom plan view thereof; and,
FIG. 8 is an upper, left, rear perspective environmental use view.

In the drawings, the broken line showing of features of a model vehicle body washer illustrate portions of the model vehicle body washer that form no part of the claimed design; whereas, the broken line showing of features of the environmental use view depicts environmental subject matter and is provided for the purposes of illustrating environmental use structure and context.

In the drawings, only a left model vehicle body washer is shown for the purposes of illustrating the claimed model vehicle body washer. A right model vehicle body washer is a mirror image of the left model vehicle body washer and is included in the claim for the model vehicle body washer.

1 Claim, 6 Drawing Sheets



(56)

References Cited

U.S. PATENT DOCUMENTS

D445,805 S 7/2001 Bruns
 D479,793 S 9/2003 Jones
 D484,037 S 12/2003 Fleetwood
 D500,536 S 1/2005 Broberg
 D515,910 S 2/2006 Gates et al.
 D532,291 S 11/2006 Geers
 D562,187 S 2/2008 Tiede
 D571,640 S 6/2008 Misch
 D628,047 S 11/2010 Craig
 D647,789 S 11/2011 McGowan
 D654,937 S 2/2012 Fader et al.
 D674,350 S 1/2013 Hodge et al.
 D682,124 S 5/2013 Small
 D691,034 S 10/2013 Field et al.
 D708,043 S 7/2014 Sonnendorfer et al.
 D713,237 S 9/2014 Towner
 D713,240 S 9/2014 Chance et al.
 D741,338 S * 10/2015 Hoshikugi D14/483
 D747,277 S * 1/2016 Katsnelson D13/155
 D749,708 S 2/2016 Smith
 D778,702 S 2/2017 Mouthaan
 D805,223 S 12/2017 DeBellis
 D812,109 S 3/2018 Cross et al.
 D817,140 S * 5/2018 Mouthaan D8/71
 D826,340 S * 8/2018 Ewing D21/561
 D828,460 S * 9/2018 Wood D21/561
 D835,503 S 12/2018 Votel et al.
 D835,504 S 12/2018 Votel et al.
 D840,779 S 2/2019 Votel et al.
 D845,100 S * 4/2019 Gonzalez Garcia D8/71
 D857,491 S 8/2019 Bell et al.
 D867,475 S * 11/2019 Ewing A63H 17/262
 D21/561
 D868,171 S * 11/2019 Wood D21/495

D880,625 S 4/2020 Romanoff et al.
 D899,917 S * 10/2020 Sprowl D8/399
 D899,918 S * 10/2020 Sprowl D8/399
 D900,250 S * 10/2020 Ewing D21/561
 D901,288 S * 11/2020 Sprowl D8/399
 D901,289 S * 11/2020 Sprowl D8/399
 D902,706 S * 11/2020 Sprowl D8/399
 D904,532 S * 12/2020 Ewing D21/561
 2011/0129318 A1 6/2011 Davies
 2012/0199530 A1 8/2012 Kim
 2013/0046389 A1 2/2013 Fierlbeck et al.
 2017/0321434 A1 * 11/2017 Shadwell E04F 15/02183

OTHER PUBLICATIONS

Single Gang Bundled Cable Wall Plate, White, Nov. 7, 2016, Amazon.com, Jun. 16, 2021, URL: <https://www.amazon.com/Skywalker-Signature-Single-Bundled-Cable/dp/B01N3KSI27> (Year: 2016).*

ZdyCGTime Bulk Nose Faceplate Wall Plate for Cabling 1 Gang Cable Plate, Sep. 27, 2018, Amazon.com, Jun. 16, 2021, URL: <https://www.amazon.com/dp/B07HRC2422/> (Year: 2018).*

Dorman HELP! 42062 PCV Valve Grommet, Jul. 7, 2004, Amazon.com 6/56/2021, URL: <https://www.amazon.com/Dorman-HELP-42062-Valve-Grommet/dp/B000COB5Y4> (Year: 2004).*

RPM Body Savers for Traxxas Rustler 4x4, Tin-Eye Date Aug. 15, 2019 [Online], [Site Visited Nov. 3, 2020] Available From Internet, URL: <https://www.modelsport.co.uk/rpm-body-savers-for-traxxas-rustler-4x4/rc-car-products/442109> (Year: 2019).

Product Spotlight: Body Reinforcements, Earliest Available Date Nov. 3, 2020 [Online], [Site Visited Nov. 3, 2020] Available From Internet, URL: <https://traxxas.com/news/body-reinforcements> (Year: 2020).

* cited by examiner

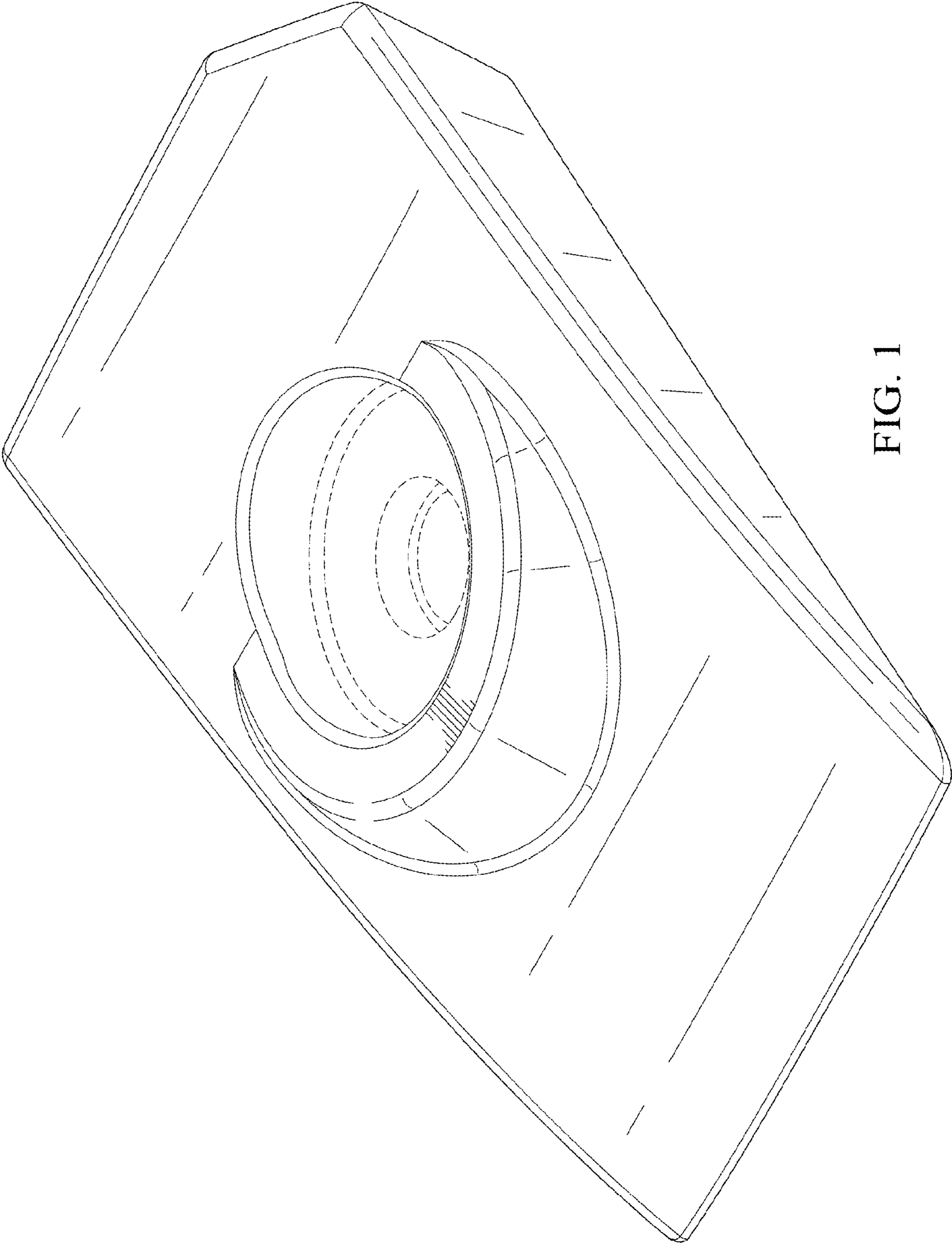


FIG. 1

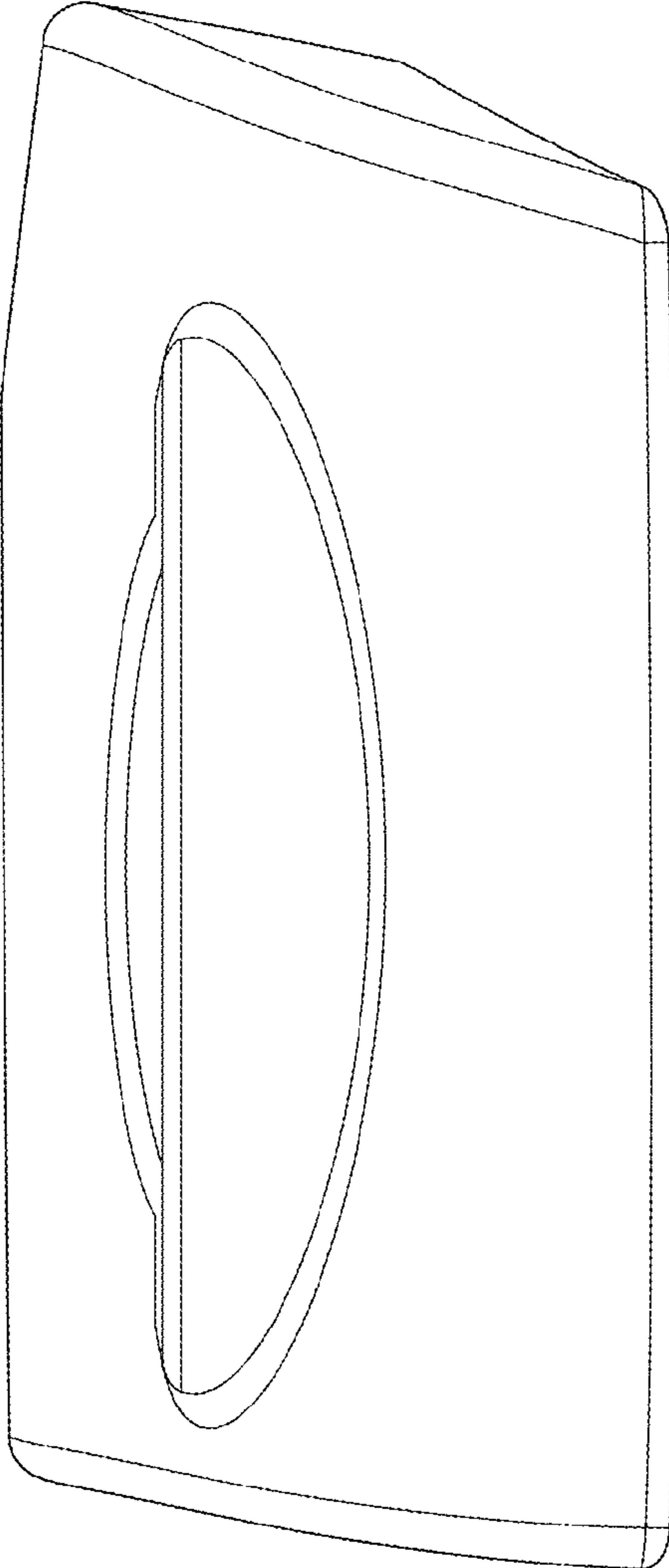


FIG. 2

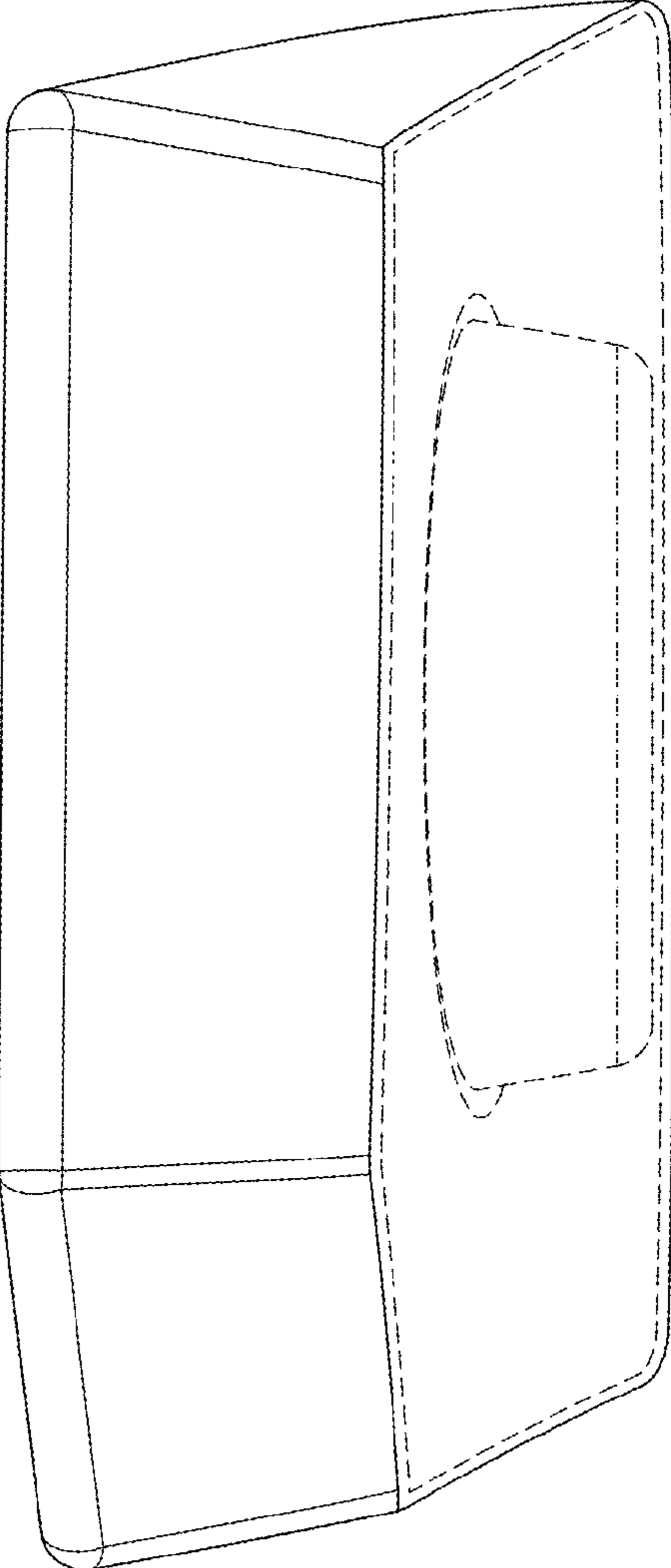


FIG. 3

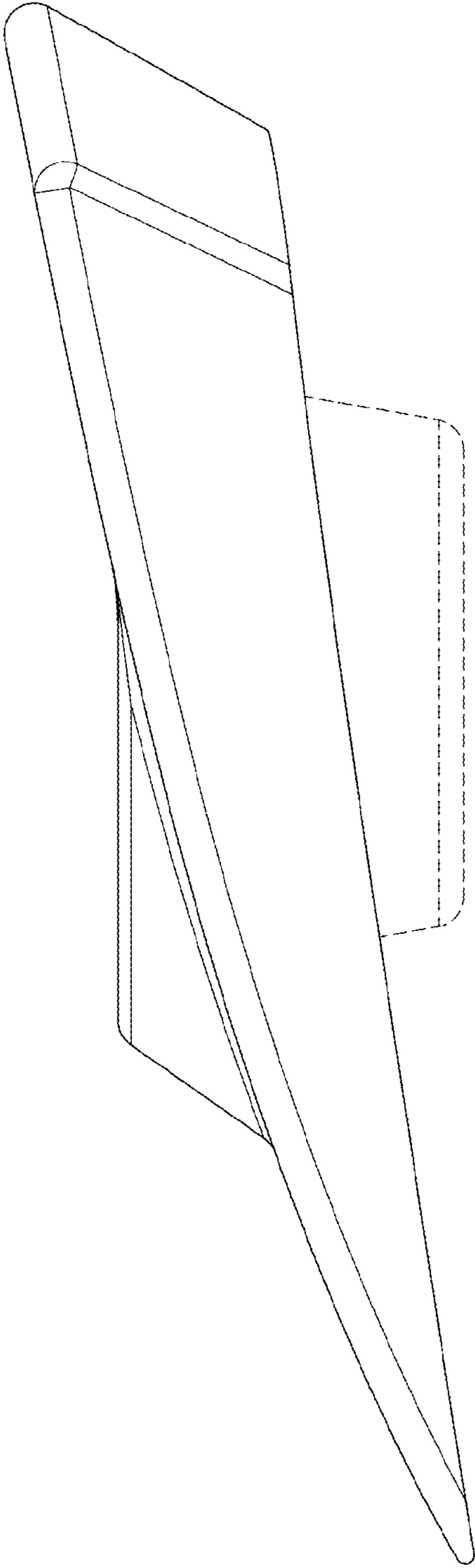


FIG. 4

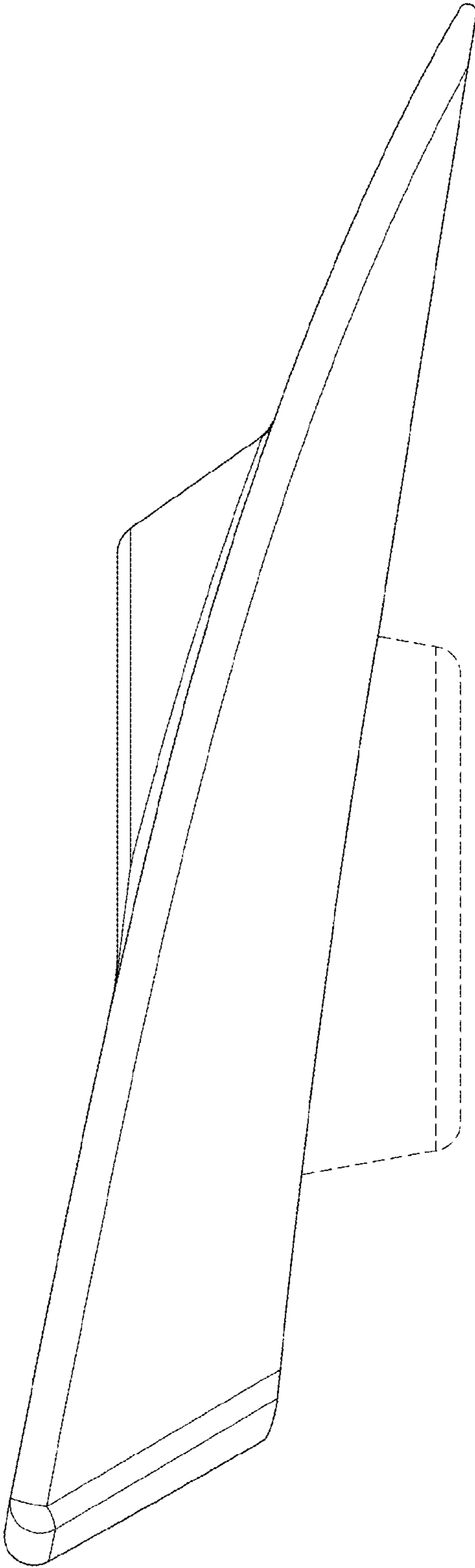


FIG. 5

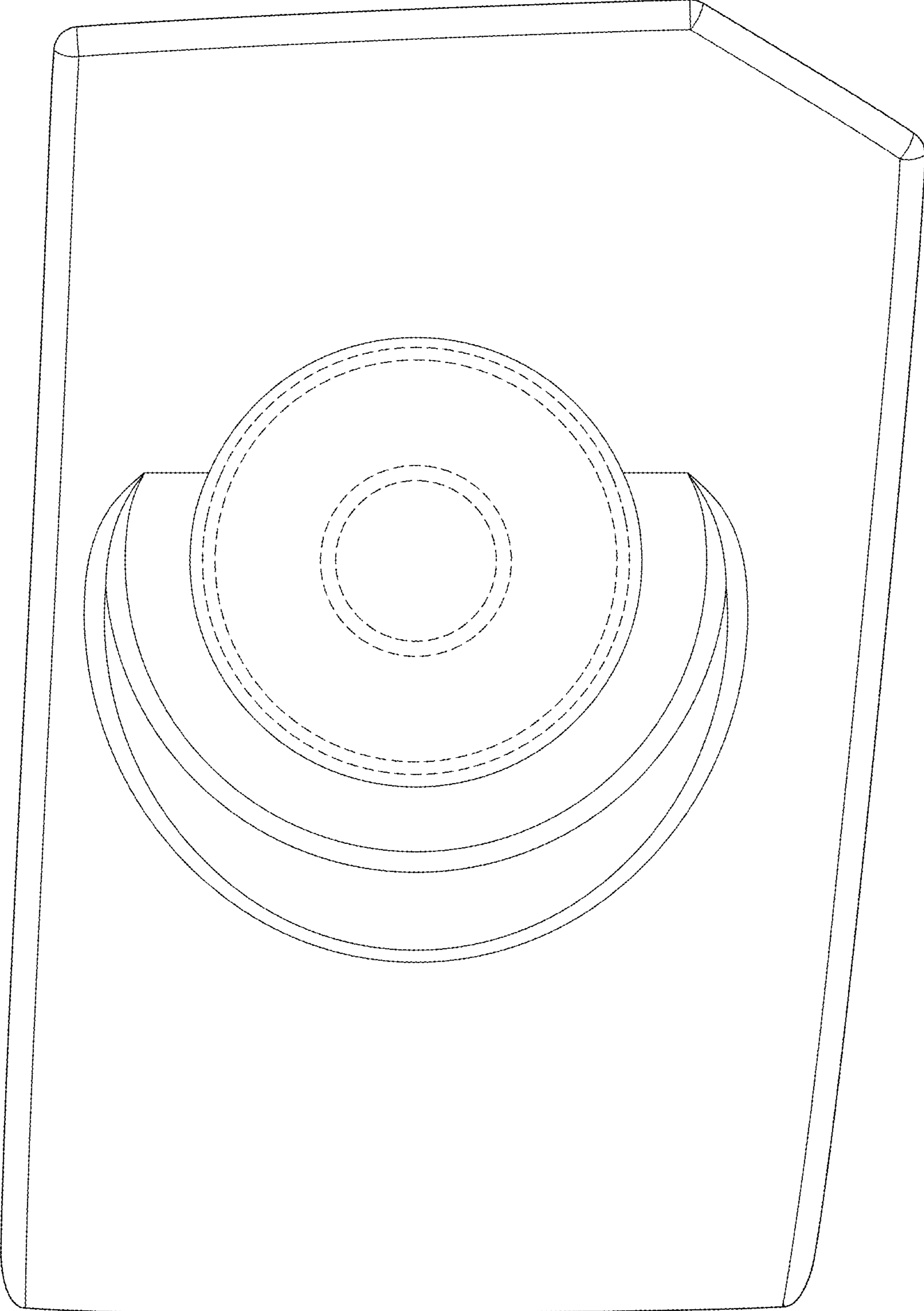


FIG. 6

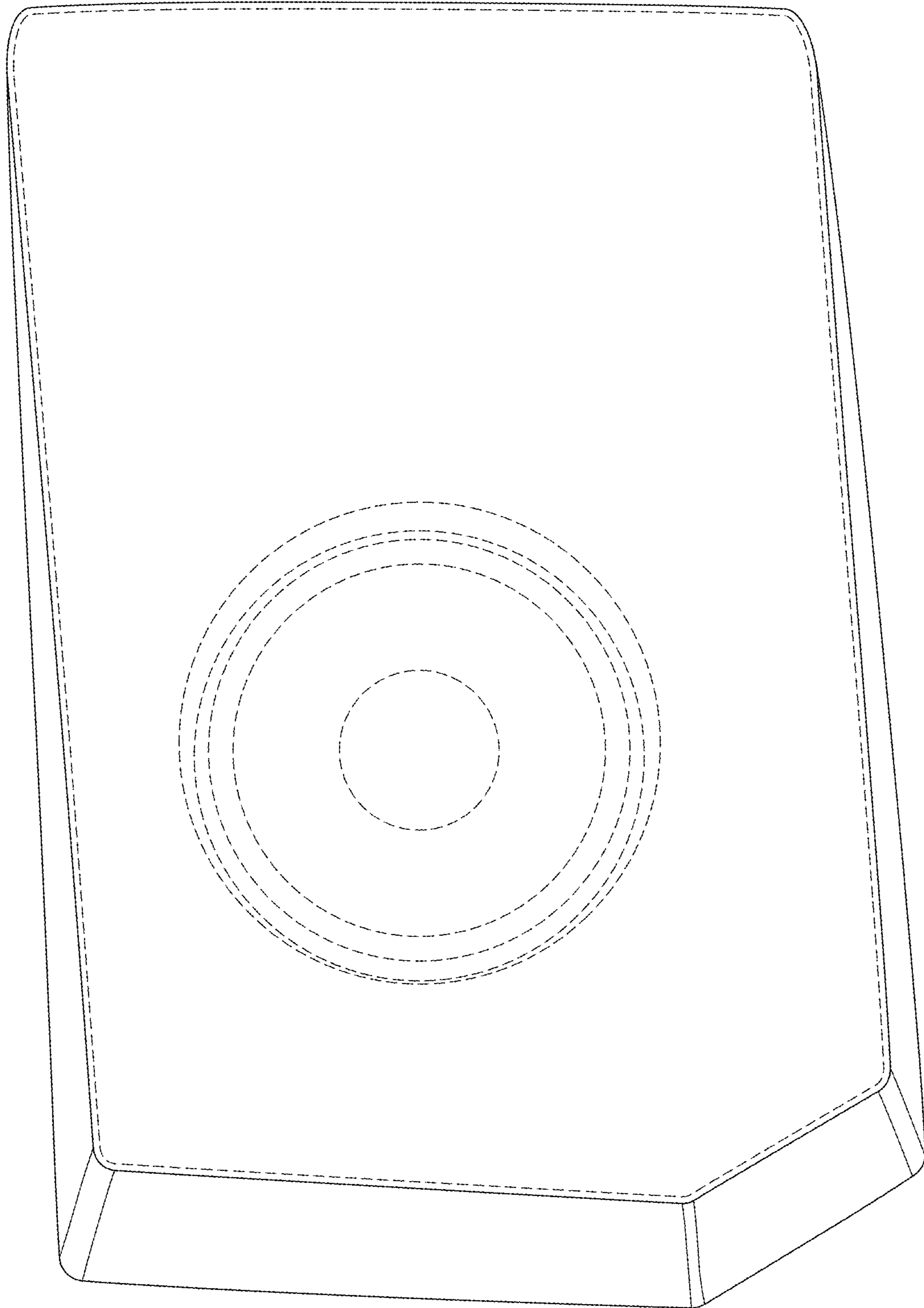


FIG. 7

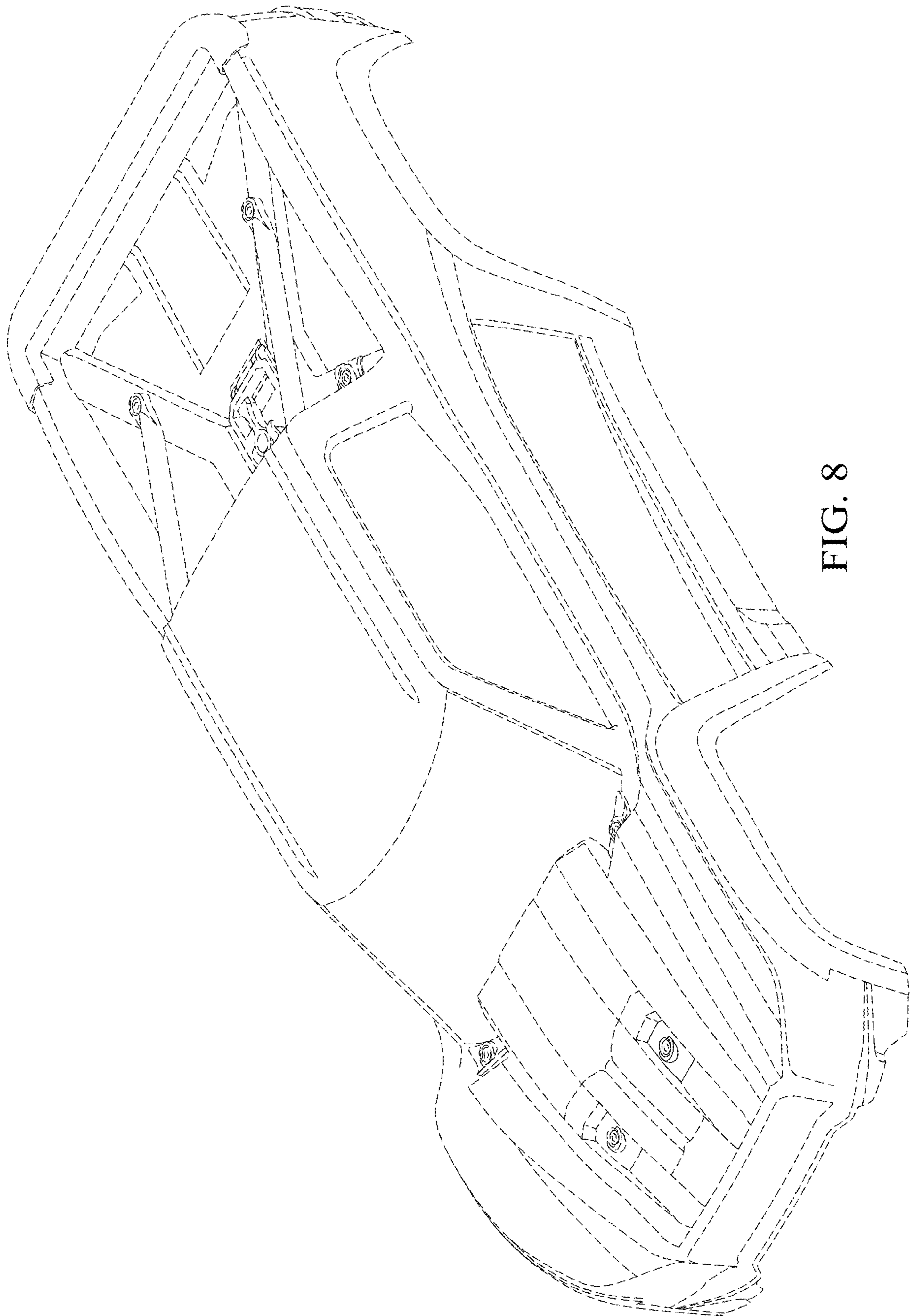


FIG. 8