



US00D927604S

(12) **United States Design Patent**
Han et al.

(10) **Patent No.:** **US D927,604 S**

(45) **Date of Patent:** **** Aug. 10, 2021**

(54) **SCOOTER**

(71) Applicant: **HONGJI INTELLIGENT BIKE CO., LTD**, Changzhou (CN)

(72) Inventors: **Gang Han**, Changzhou (CN); **Jun Wu**, Changzhou (CN); **Qibing Lu**, Changzhou (CN); **Qi Zhou**, Changzhou (CN)

(**) Term: **15 Years**

(21) Appl. No.: **29/703,673**

(22) Filed: **Aug. 29, 2019**

(30) **Foreign Application Priority Data**

Aug. 6, 2019 (CN) 201930423873.7

(51) **LOC (13) Cl.** **21-01**

(52) **U.S. Cl.**
USPC **D21/423**

(58) **Field of Classification Search**
USPC D21/419, 421, 423, 432, 760, 763, 765, D21/771; D12/1, 110

CPC B62K 3/002; B62K 9/00; B62K 2202/00; B62K 15/00; B60Y 2200/126
See application file for complete search history.

(56) **References Cited**

U.S. PATENT DOCUMENTS

D686,674 S * 7/2013 Hadley D21/423
D727,833 S * 4/2015 Talios D12/423
D777,844 S * 1/2017 O Connell D21/423
D834,097 S * 11/2018 Lin D21/423
D839,358 S * 1/2019 Cao D21/423
D846,654 S * 4/2019 Van Eyndhoven D21/423

D849,153 S * 5/2019 Zhang D21/423
D858,647 S * 9/2019 Liu D21/423
D877,257 S * 3/2020 Cao D21/423
D877,258 S * 3/2020 Cao D21/423

* cited by examiner

Primary Examiner — Cynthia M. Chin

(57) **CLAIM**

The ornamental design for a scooter, as shown and described.

DESCRIPTION

FIG. 1 is a perspective view of a scooter showing our new design;
FIG. 2 is a partial enlarged view of the left handlebar area from the top of FIG. 1;
FIG. 3 is a partial enlarged view of the stem area from the left side of FIG. 1;
FIG. 4 is a partial enlarged view of the deck area in FIG. 1;
FIG. 5 is a front view thereof;
FIG. 6 is a top view thereof;
FIG. 7 is a rear view thereof;
FIG. 8 is a left side view thereof;
FIG. 9 is a right side view thereof; and,
FIG. 10 is a partial enlarged view of the right handlebar area from the top of FIG. 1.
The broken lines in FIGS. 2-4 and 10 represent the boundaries of the enlarged partial views and form no part of the claimed design. The broken lines are for the purpose of illustrating portions of the scooter that form no part of the claimed design.

1 Claim, 10 Drawing Sheets

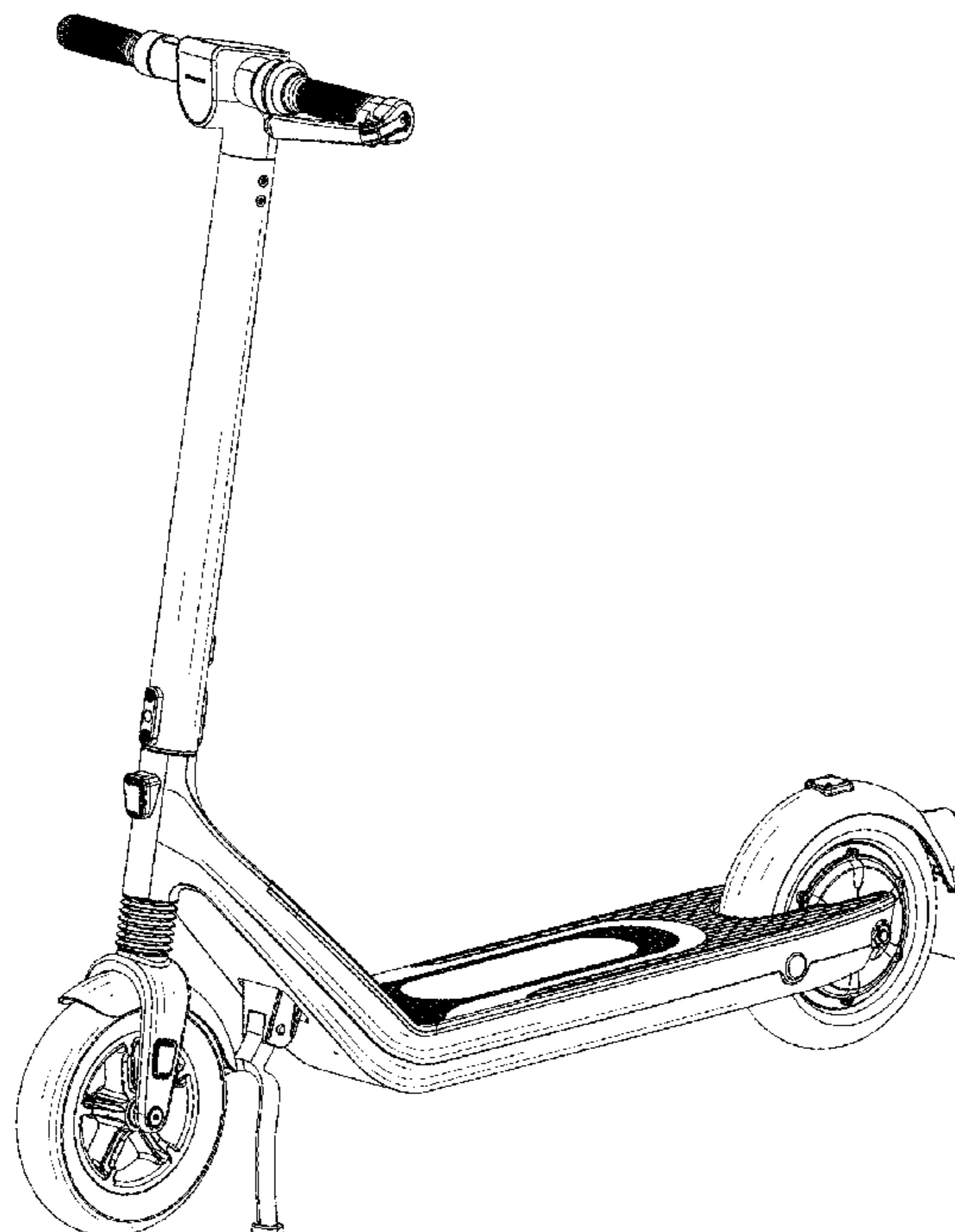




FIG. 1

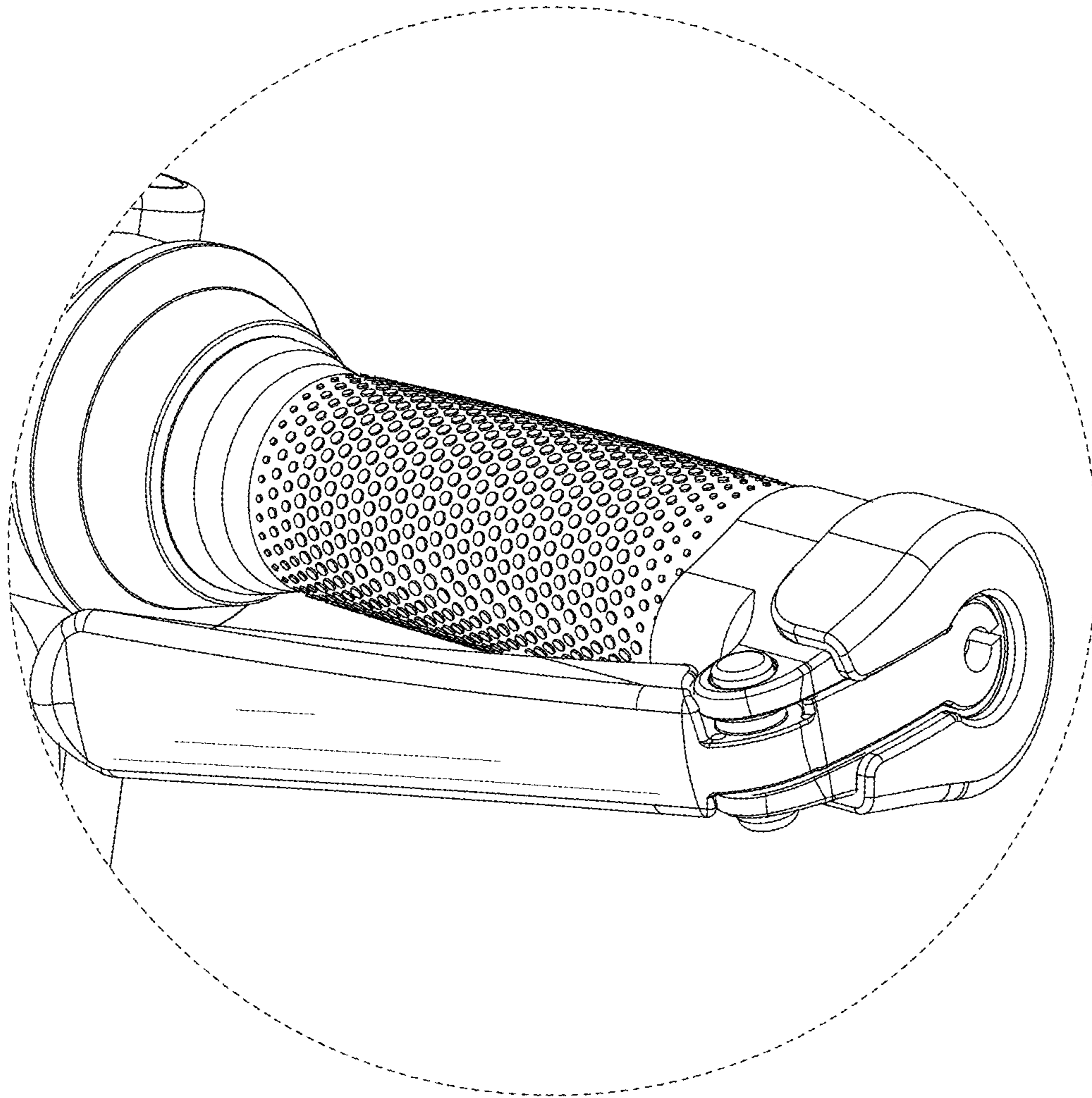


FIG. 2

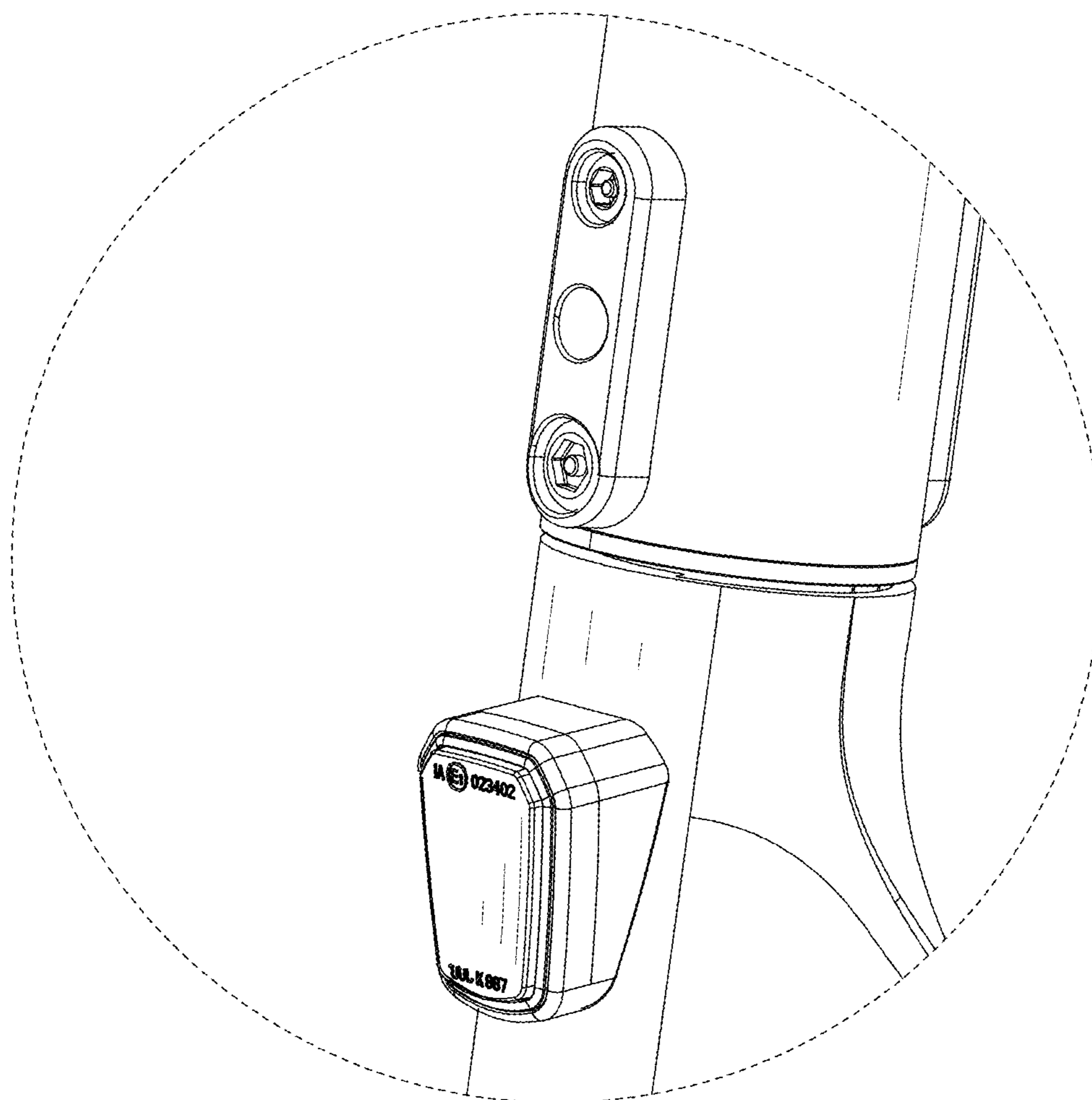


FIG. 3

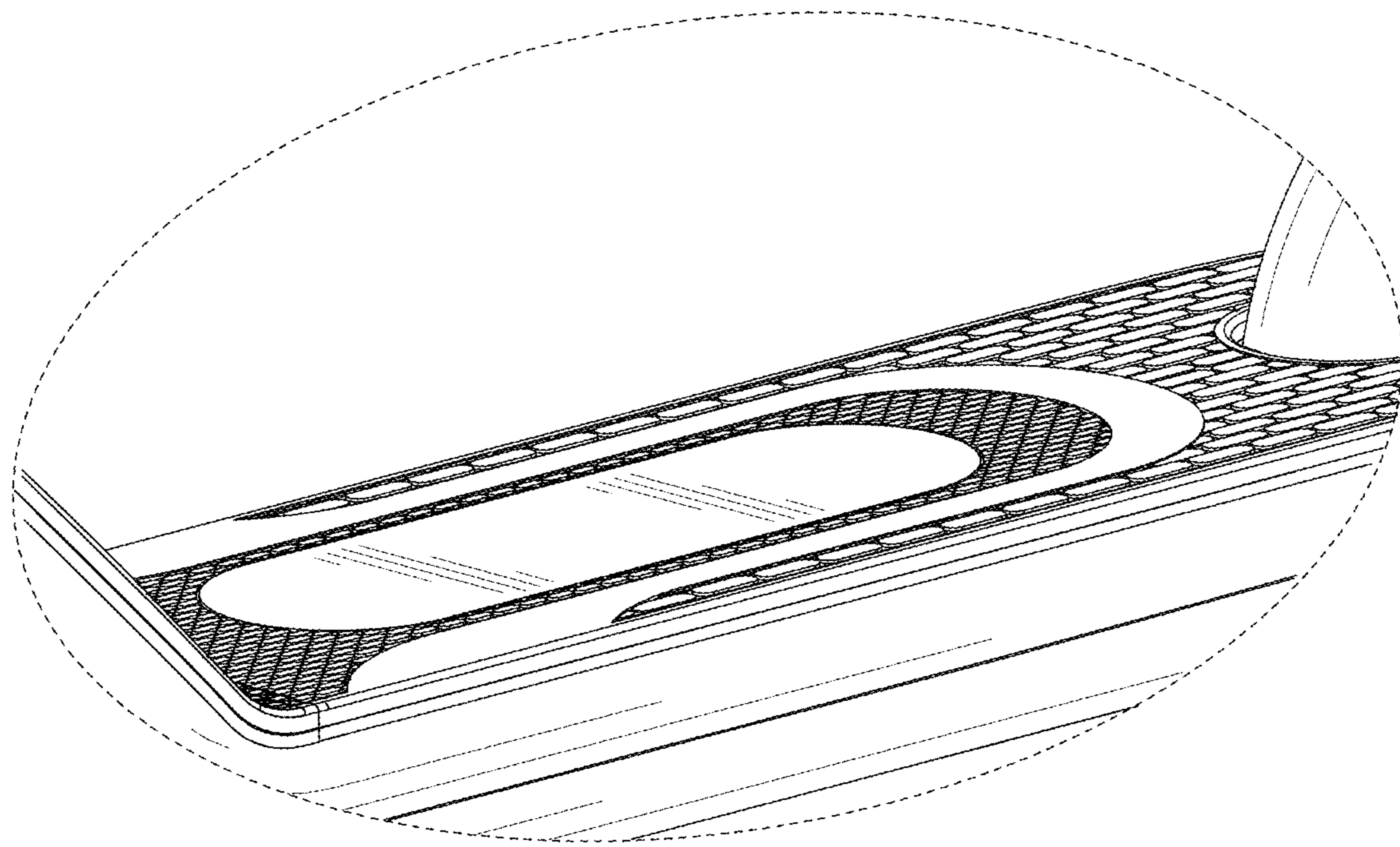


FIG. 4

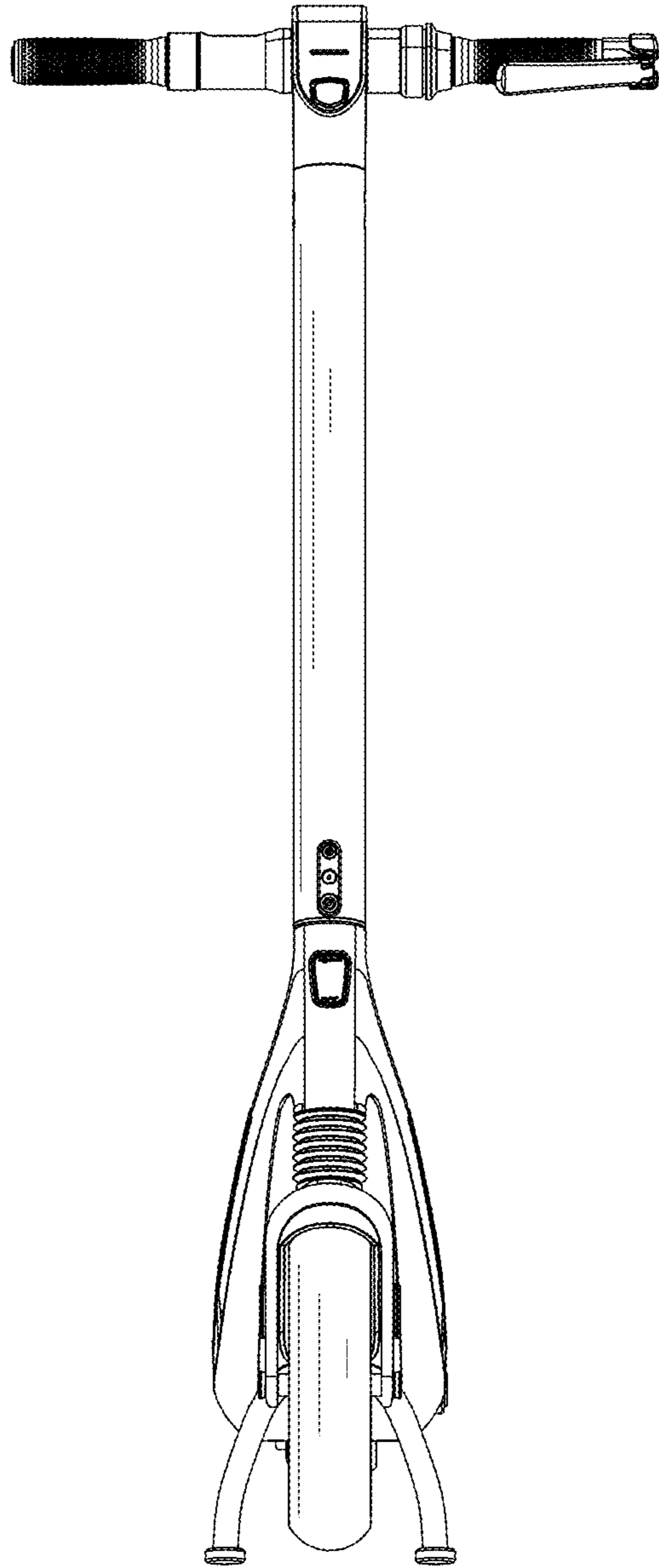


FIG. 5

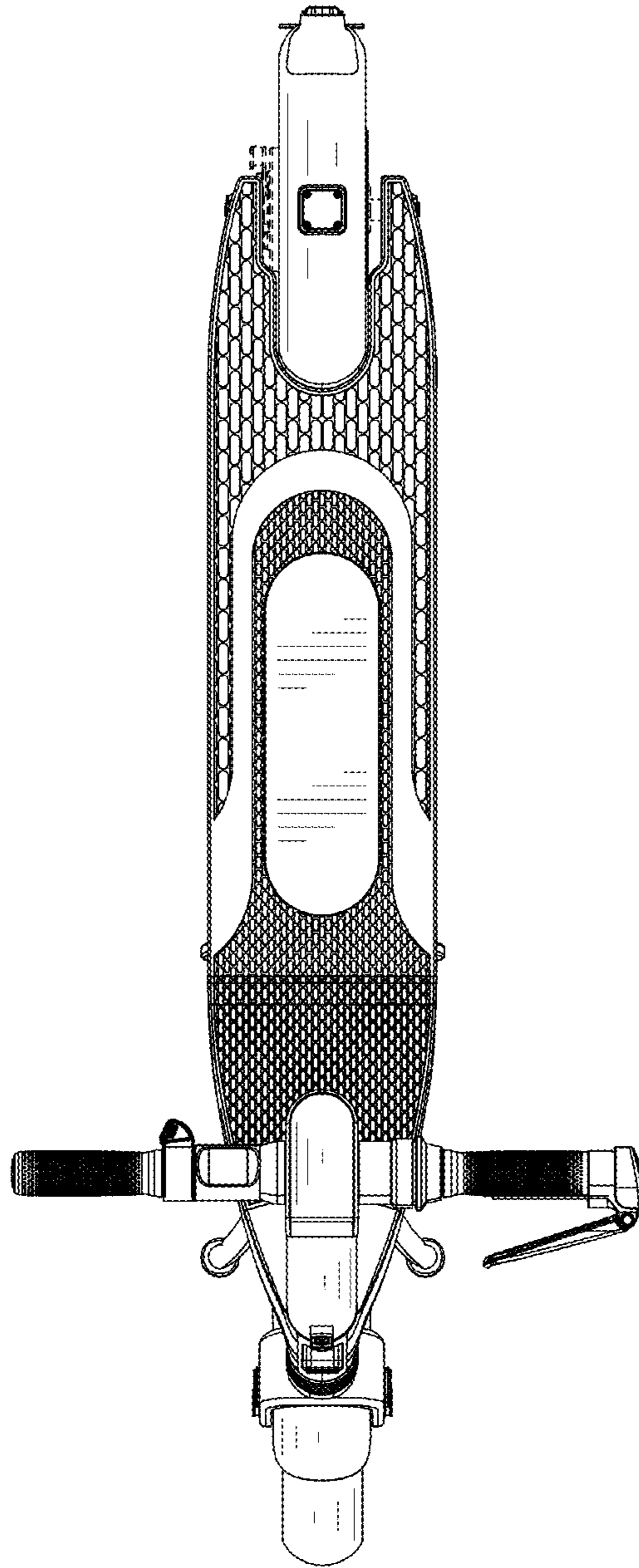


FIG. 6

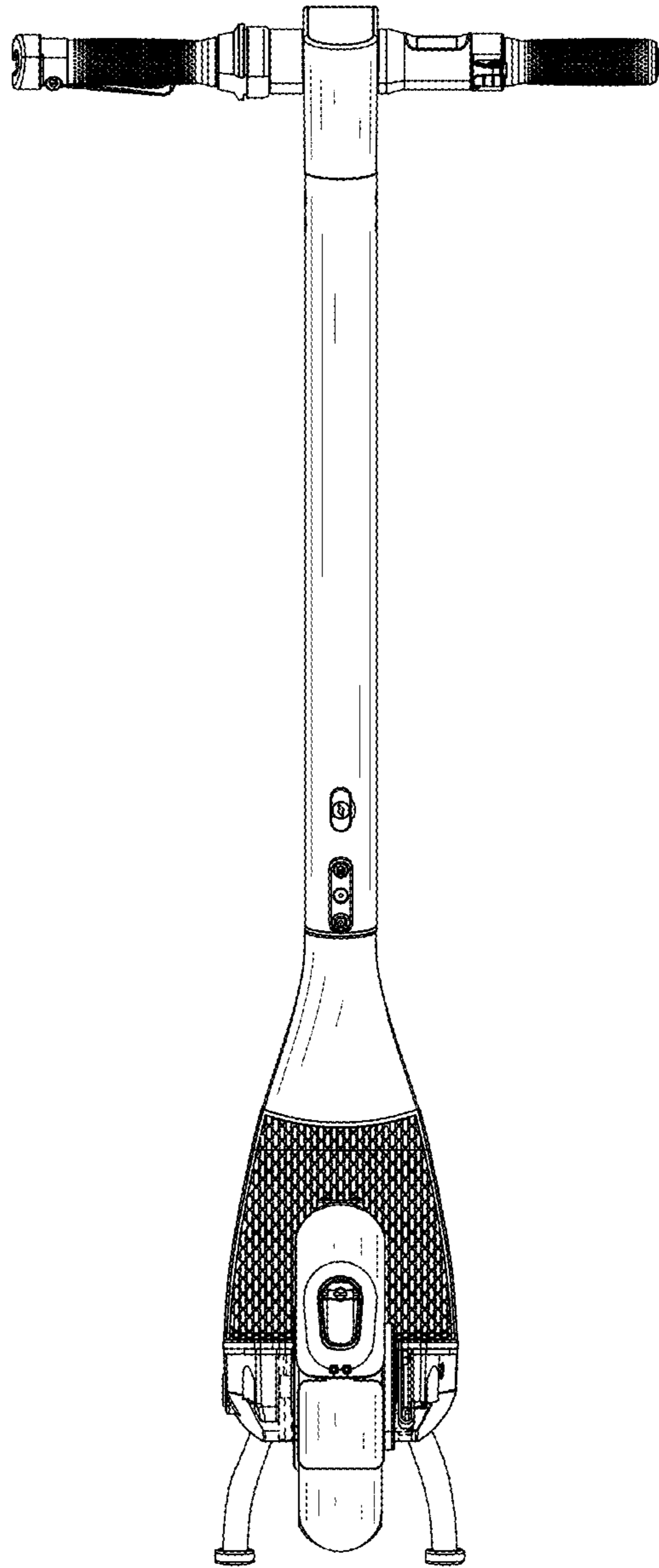


FIG. 7



FIG. 8

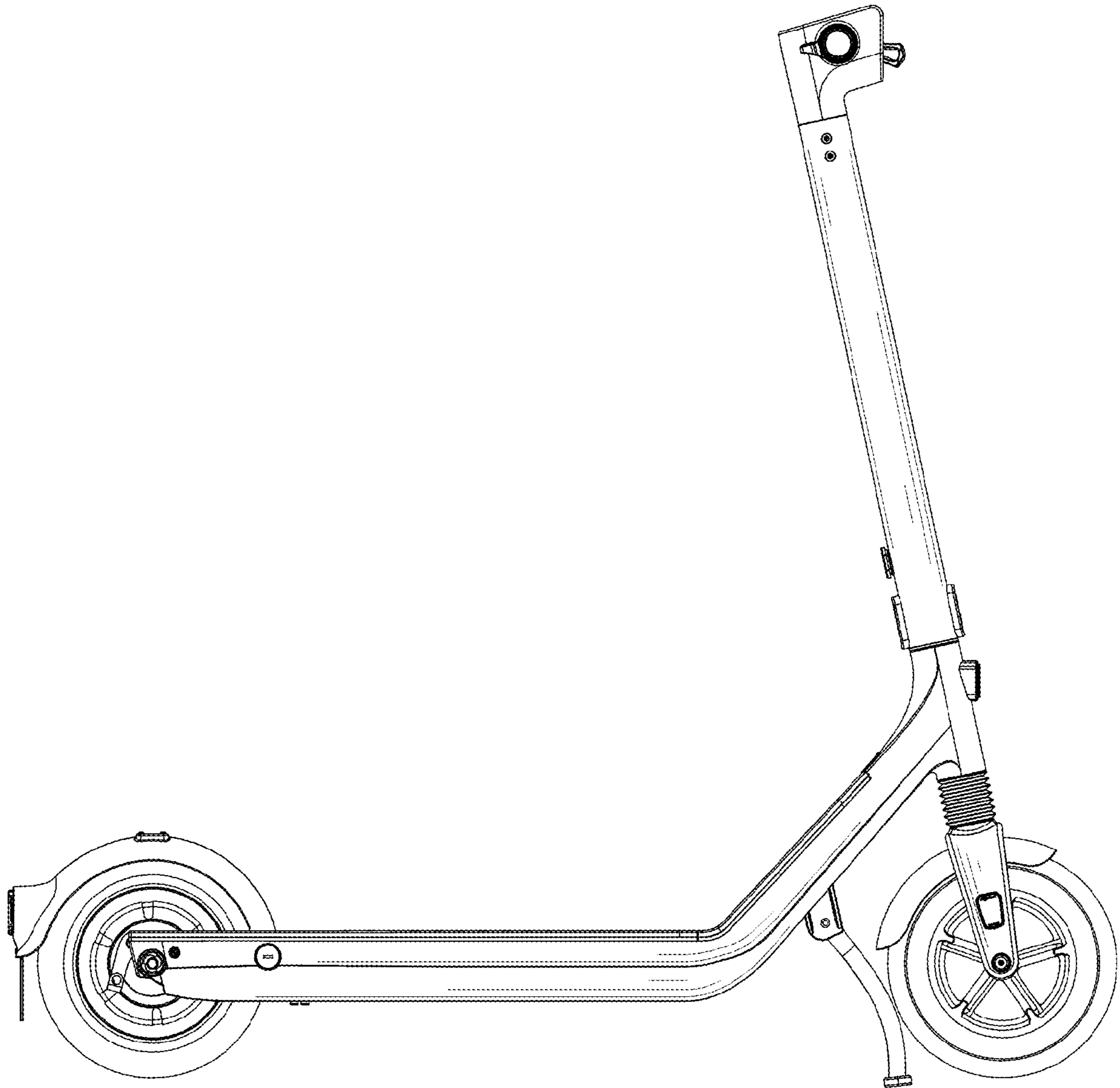


FIG. 9

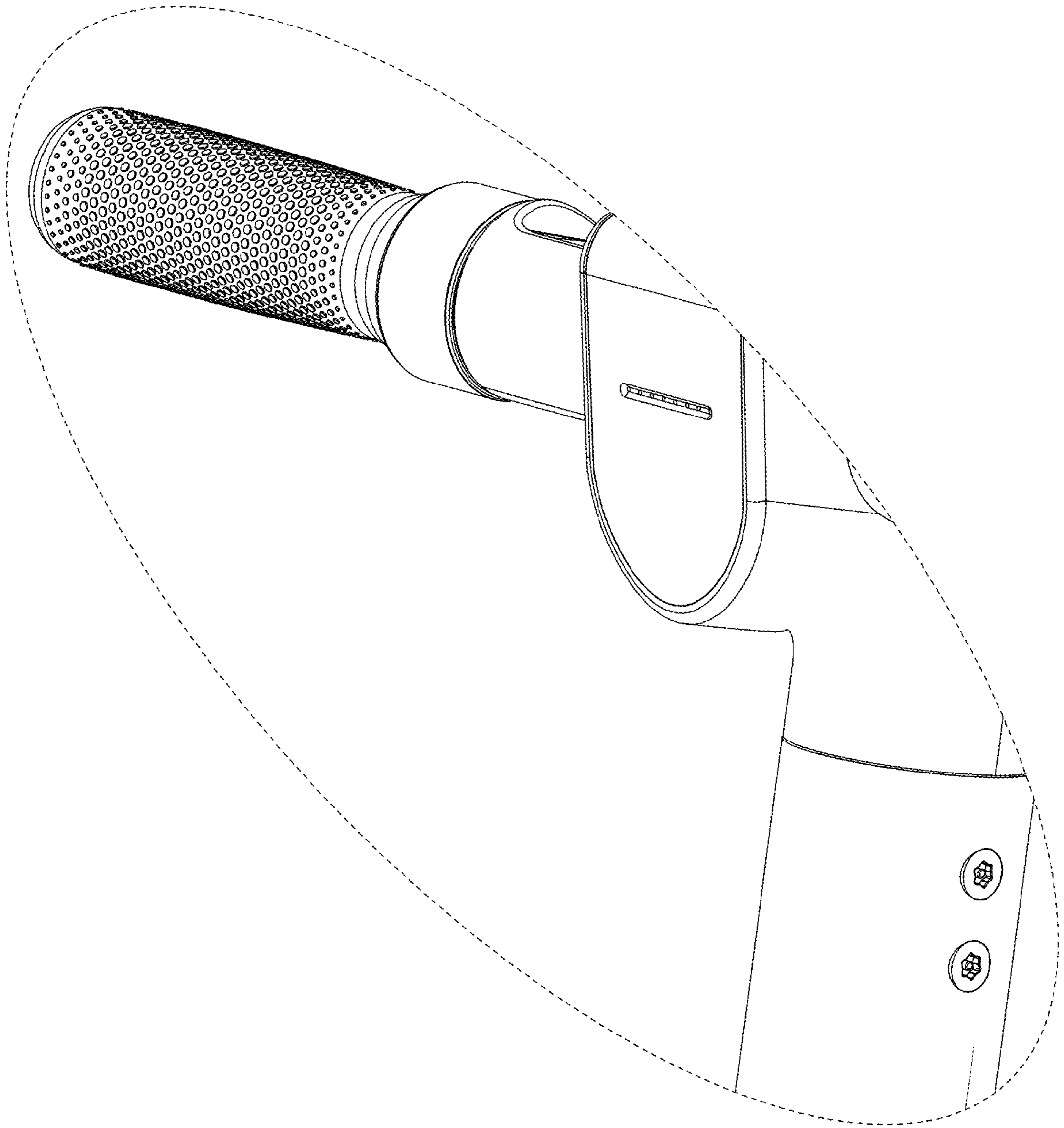


FIG. 10