



US00D927603S

(12) **United States Design Patent**
Colvin et al.

(10) **Patent No.:** **US D927,603 S**
(45) **Date of Patent:** **** Aug. 10, 2021**

(54) **ELECTRONIC GAMING MACHINE WHEEL
TOPPER DISPLAY HOUSING**

DESCRIPTION

(71) Applicant: **GAMING ARTS, LLC**, Las Vegas, NV
(US)

(72) Inventors: **David Colvin**, Las Vegas, NV (US);
Eric D. Colvin, Las Vegas, NV (US)

(73) Assignee: **Gaming Arts, LLC**, Las Vegas, NV
(US)

(**) Term: **15 Years**

(21) Appl. No.: **29/708,647**

(22) Filed: **Oct. 8, 2019**

(51) **LOC (13) Cl.** **21-01**

(52) **U.S. Cl.**
USPC **D21/362**

(58) **Field of Classification Search**
USPC D21/369, 308, 324, 333, 334, 366, 367,
D21/392, 395, 397, 300, 371, 374, 376,
(Continued)

(56) **References Cited**

U.S. PATENT DOCUMENTS

D15,850 S * 2/1885 Brownell D6/309
D116,353 S * 8/1939 Silverman D6/309
(Continued)

Primary Examiner — Khawaja Anwar

Assistant Examiner — Julice Seung Eun Oum

(74) *Attorney, Agent, or Firm* — FisherBroyles, LLP; Rob
L. Phillips

(57) **CLAIM**

The ornamental design for an electronic gaming machine
wheel topper display housing, as shown and described.

FIG. 1 is a perspective view of a first embodiment of an
electronic gaming machine wheel topper showing our new
design;

FIG. 2 is a perspective view thereof;

FIG. 3 is a front elevational view thereof;

FIG. 4 is a rear elevational view thereof;

FIG. 5 is a top plan view thereof;

FIG. 6 is a bottom plan view of;

FIG. 7 is a right side view thereof;

FIG. 8 is a left side view thereof;

FIG. 9 is a perspective view of a second embodiment of an
electronic gaming machine wheel topper showing our new
design;

FIG. 10 is a perspective view thereof;

FIG. 11 is a front elevational view thereof;

FIG. 12 is a rear elevational view thereof;

FIG. 13 is a top plan view thereof;

FIG. 14 is a bottom plan view thereof;

FIG. 15 is a right side view thereof;

FIG. 16 is a left side view of;

FIG. 17 is a perspective view of a third embodiment of an
electronic gaming machine wheel topper showing our new
design;

FIG. 18 is a perspective view thereof;

FIG. 19 is a front elevational view thereof;

FIG. 20 is a rear elevational view thereof;

FIG. 21 is a top plan view thereof;

FIG. 22 is a bottom plan view thereof;

FIG. 23 is a right side view thereof;

FIG. 24 is a left side view thereof;

FIG. 25 is a perspective view of a fourth embodiment of an
electronic gaming machine wheel topper showing our new
design;

FIG. 26 is a perspective view thereof;

FIG. 27 is a front elevational view thereof;

FIG. 28 is a rear elevational view thereof;

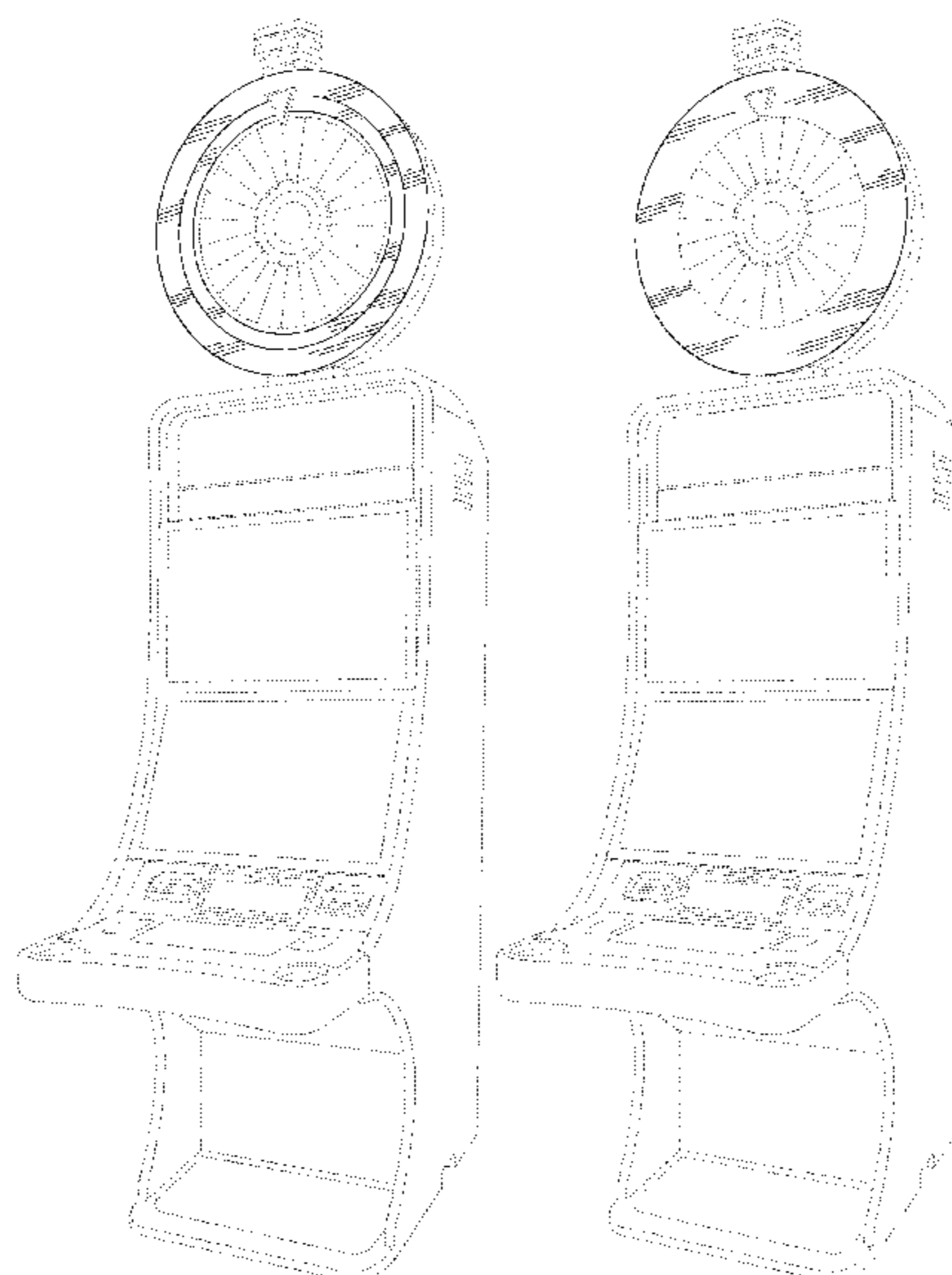
FIG. 29 is a top plan view thereof;

FIG. 30 is a bottom plan view thereof;

FIG. 31 is a right side view thereof; and,

FIG. 32 is a left side view thereof.

1 Claim, 16 Drawing Sheets



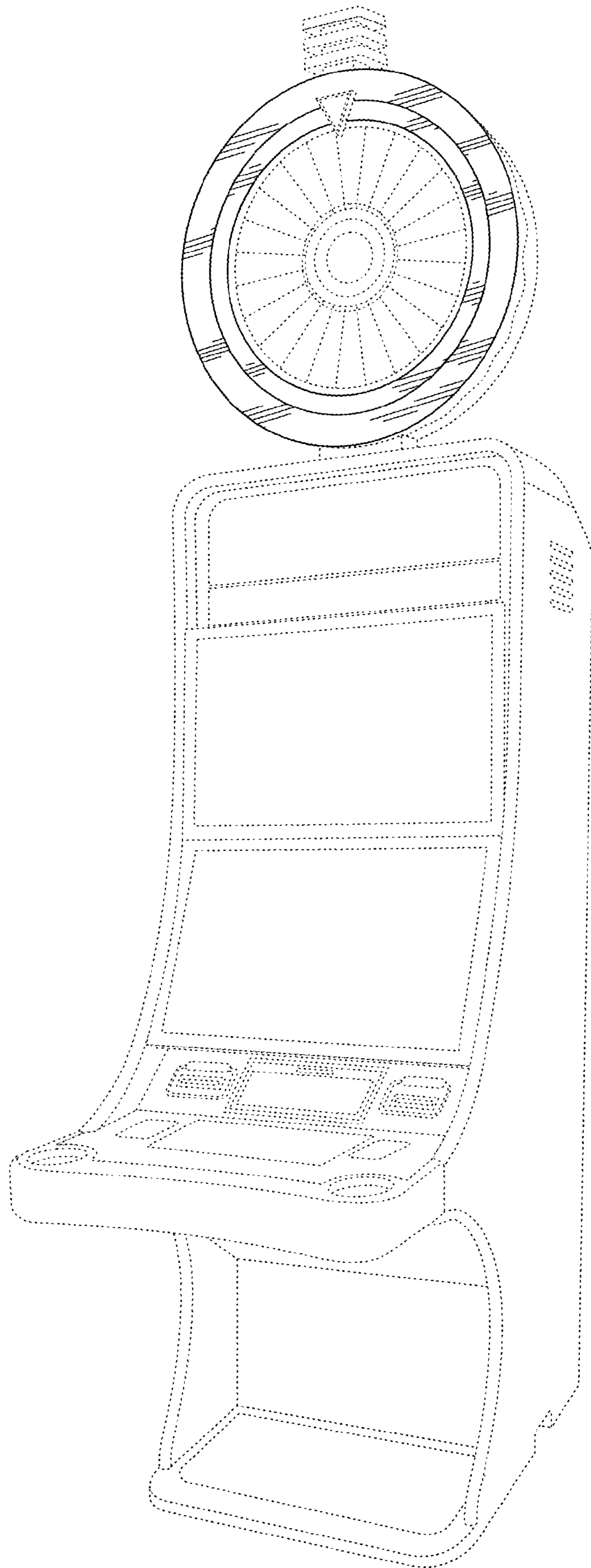


Fig. 1

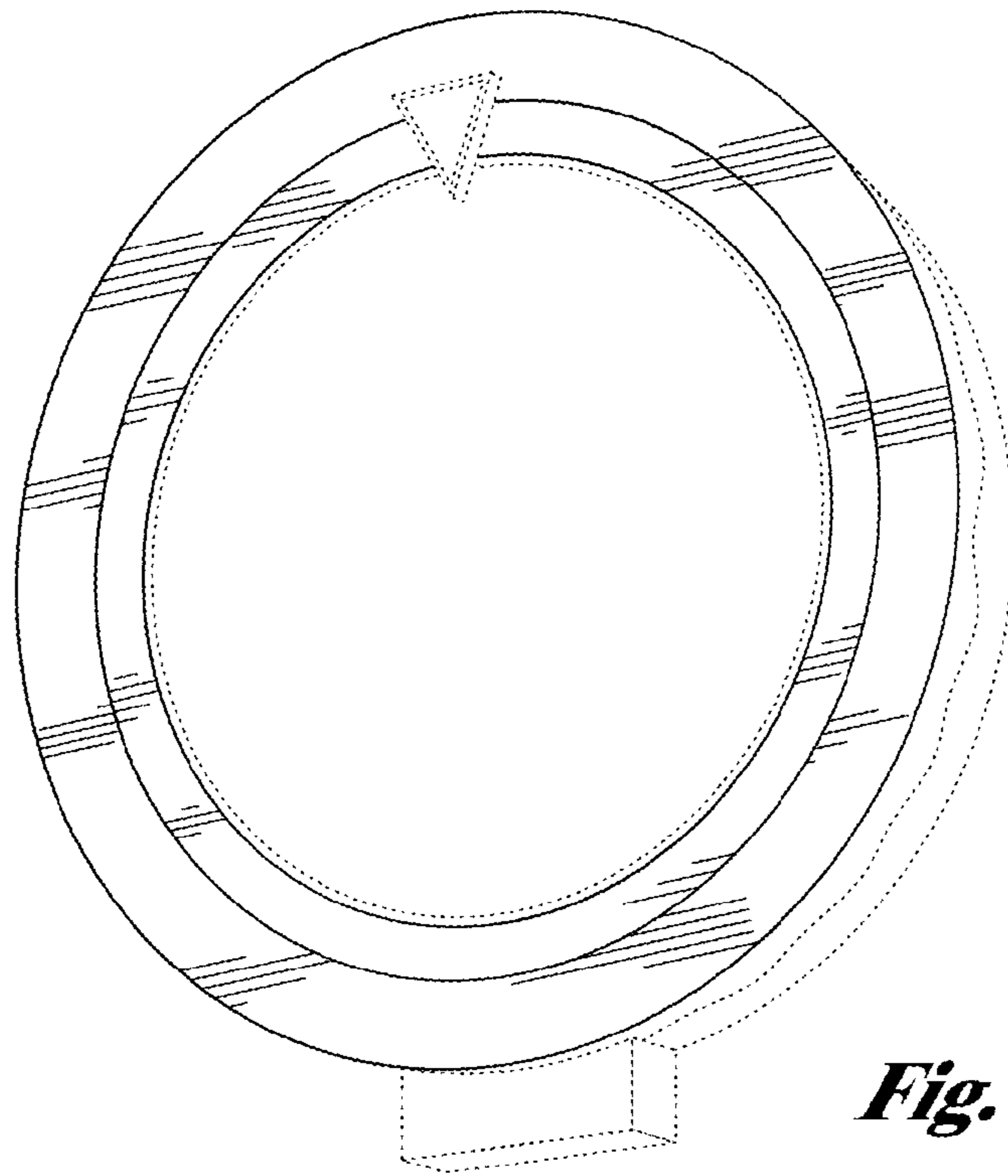


Fig. 2

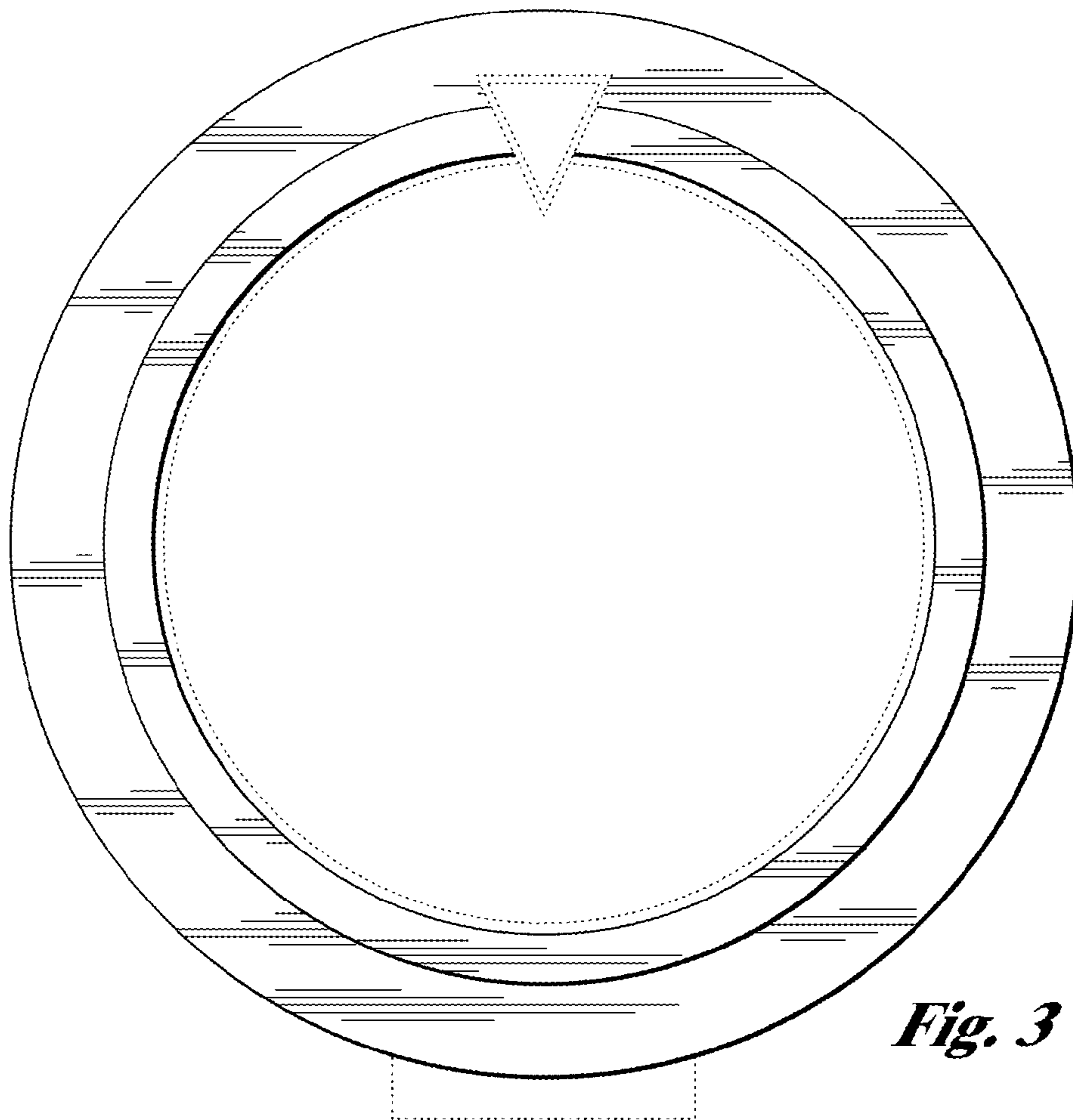


Fig. 3

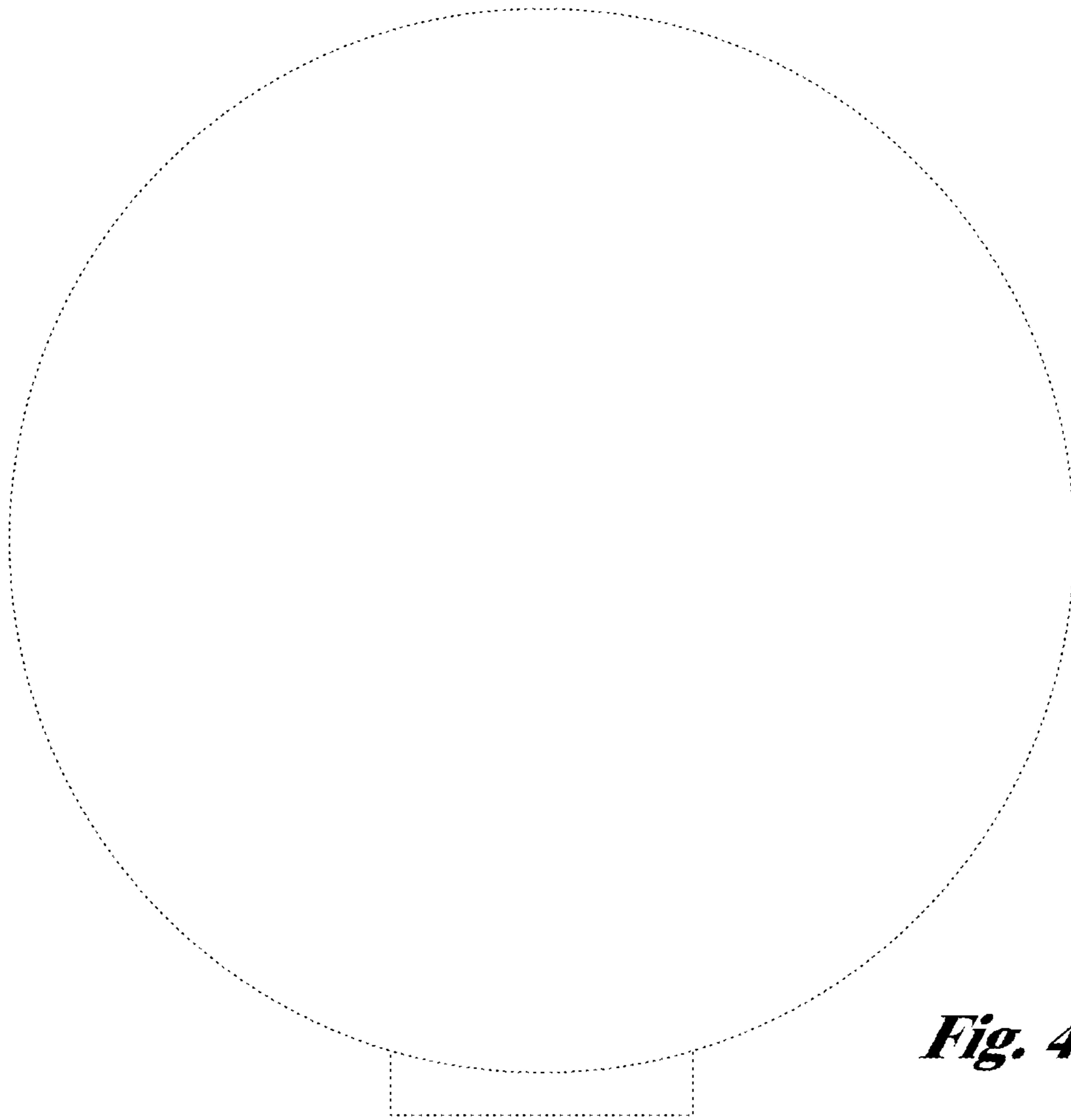


Fig. 4

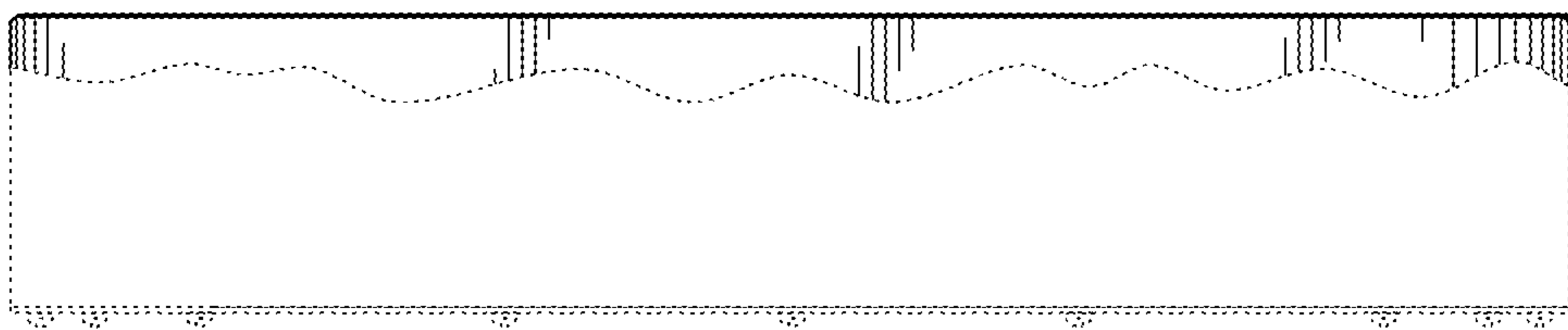


Fig. 5

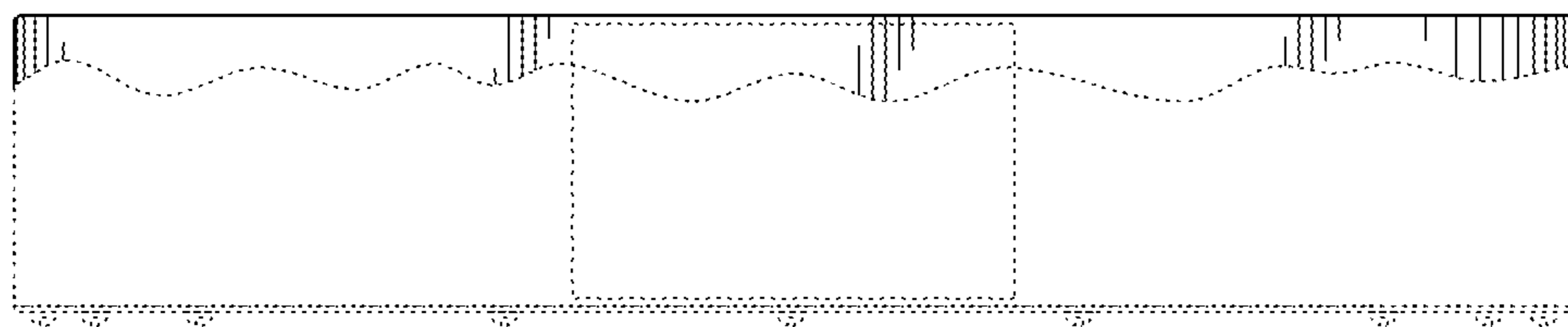


Fig. 6

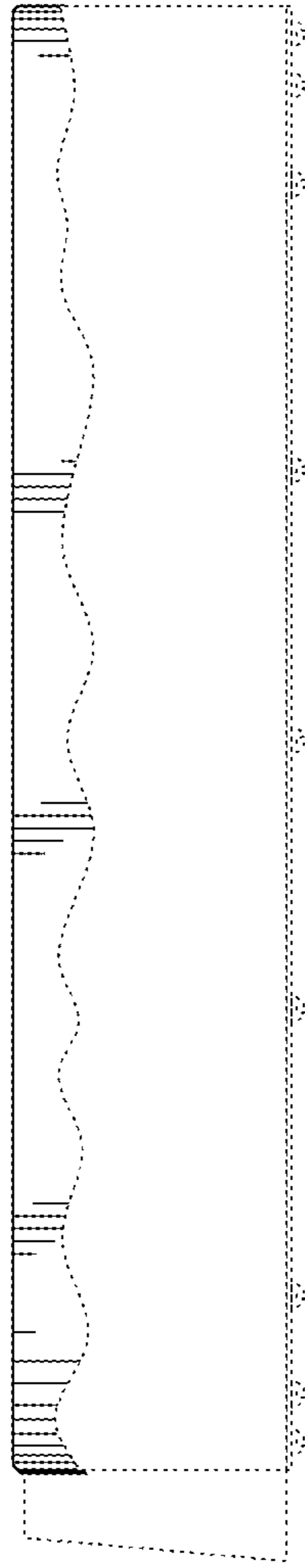


Fig. 7

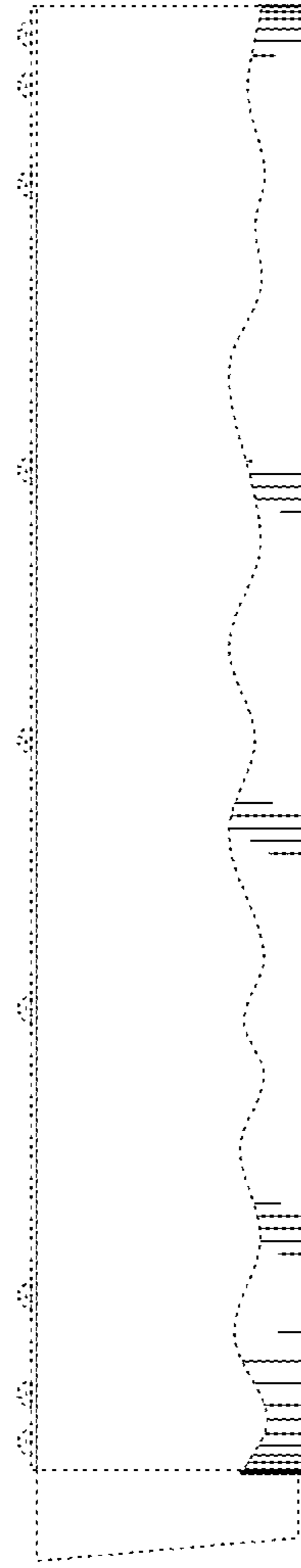


Fig. 8

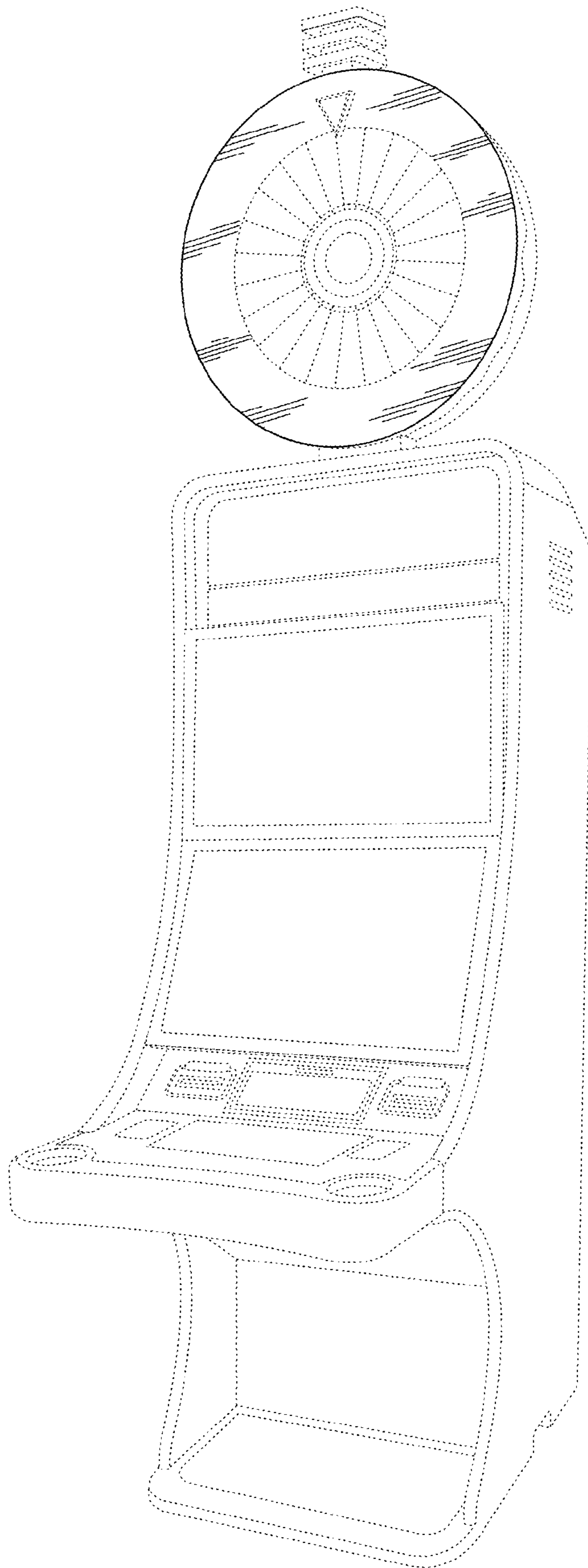


Fig. 9

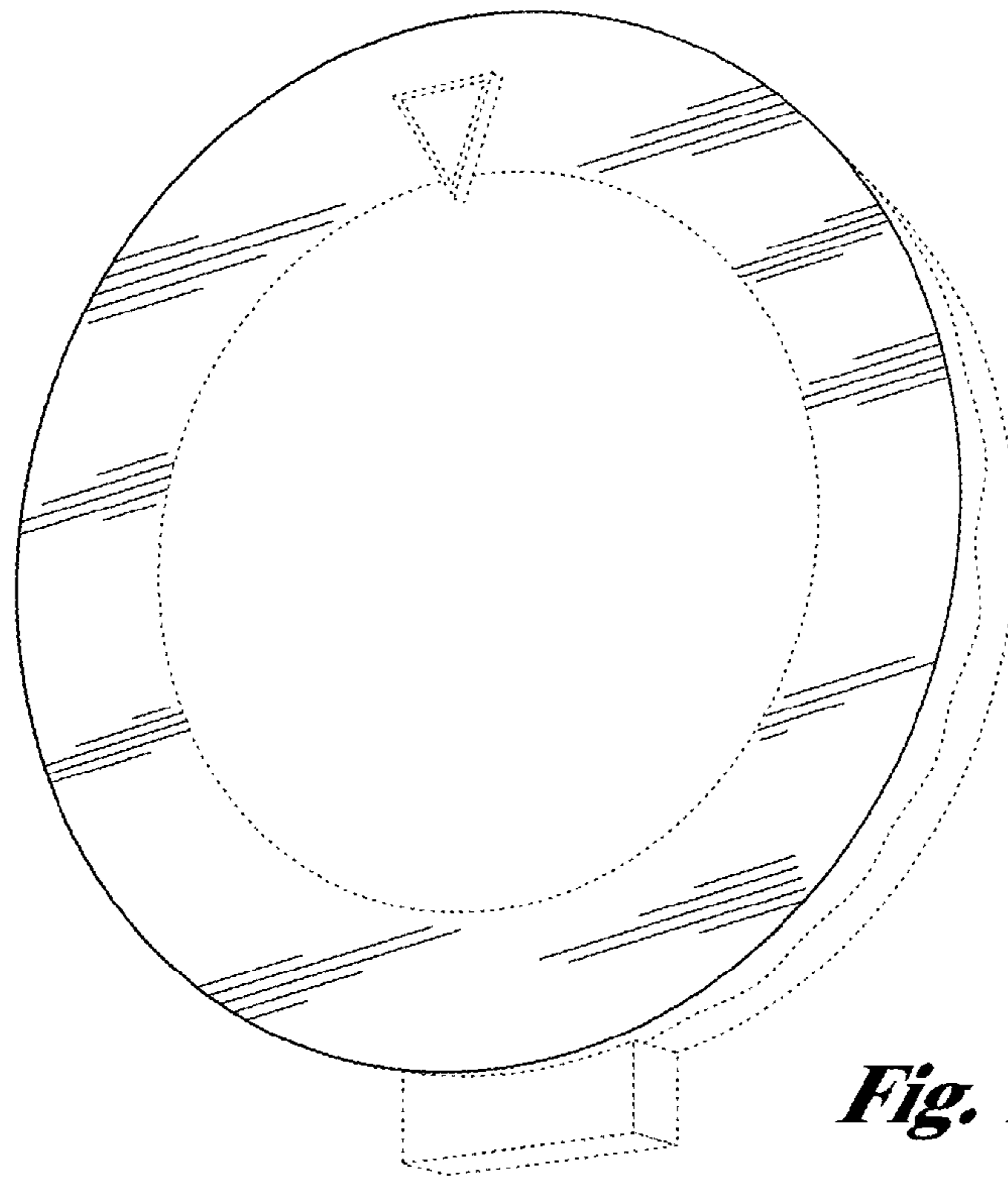


Fig. 10

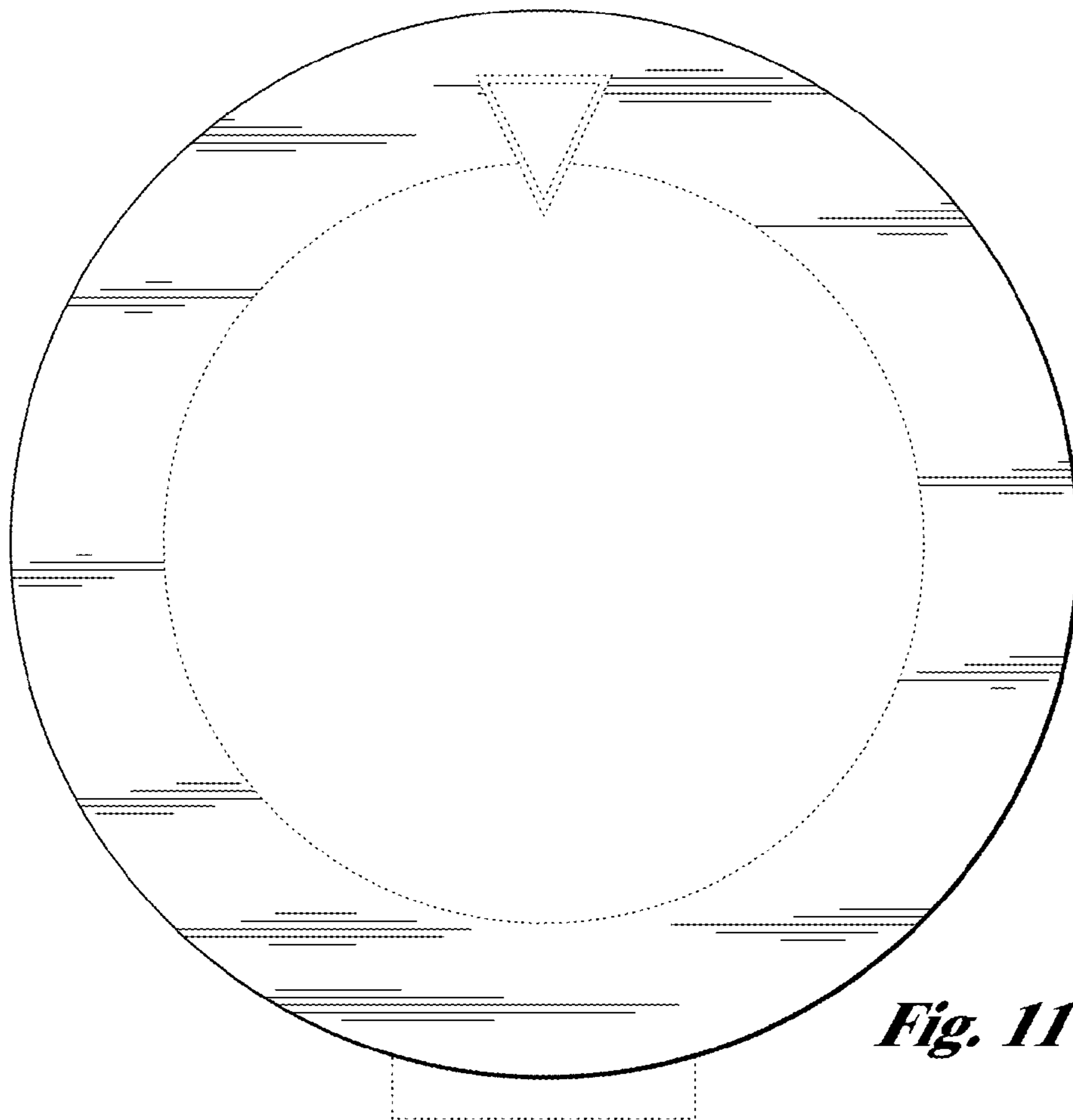


Fig. 11

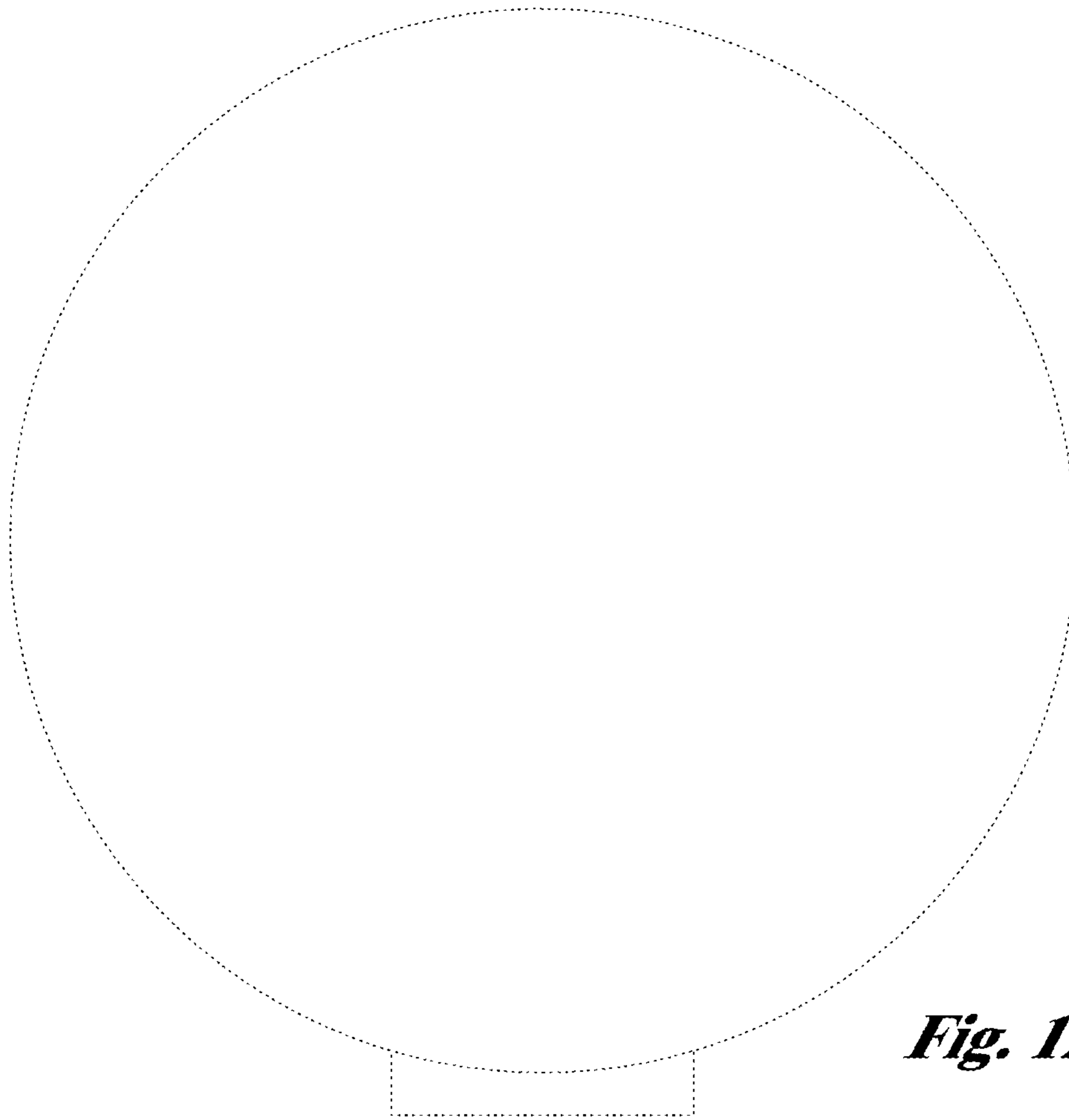


Fig. 12

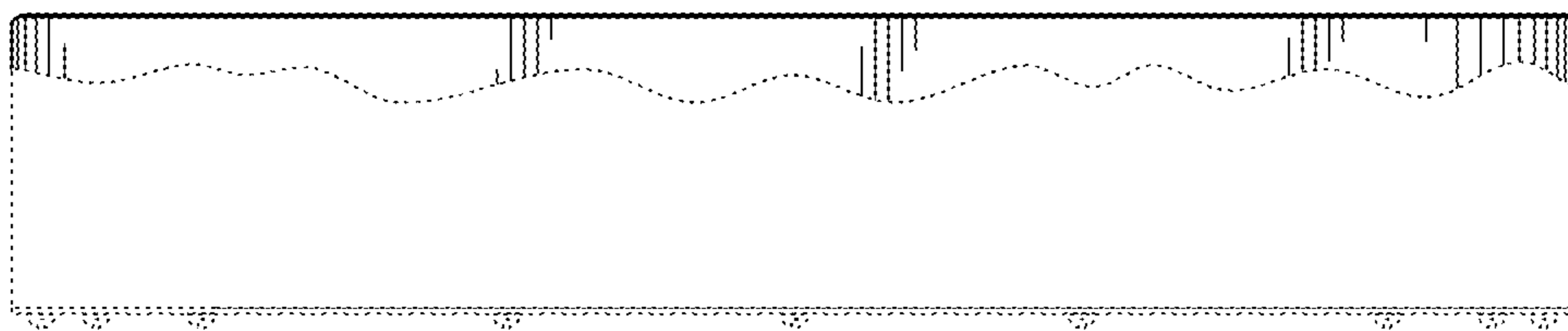


Fig. 13

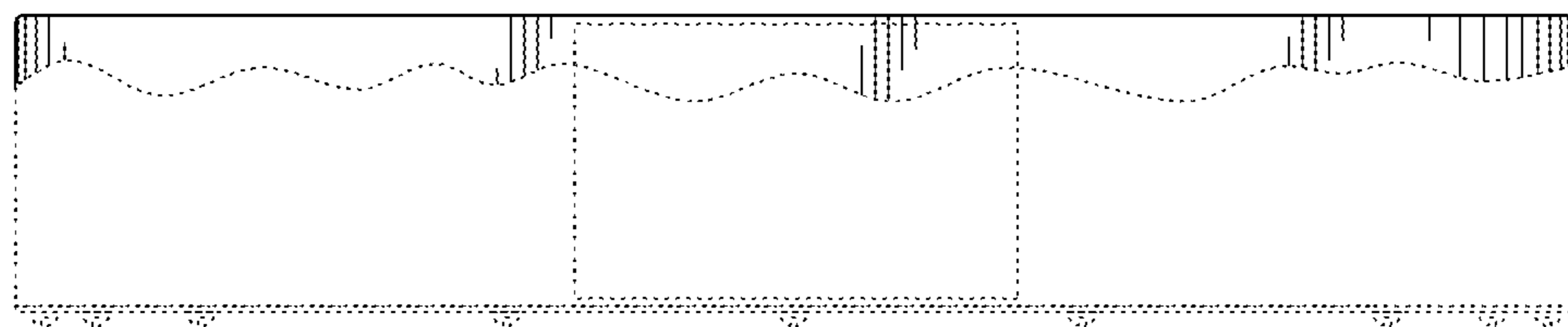


Fig. 14

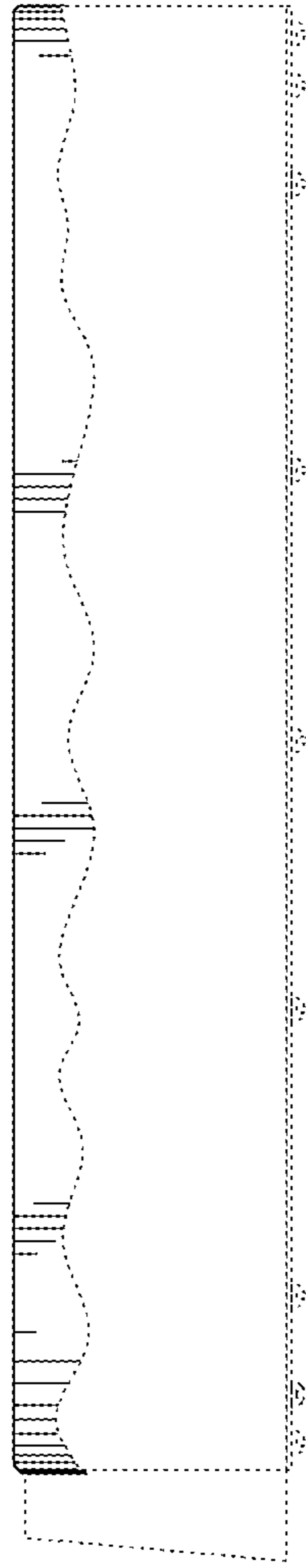


Fig. 15

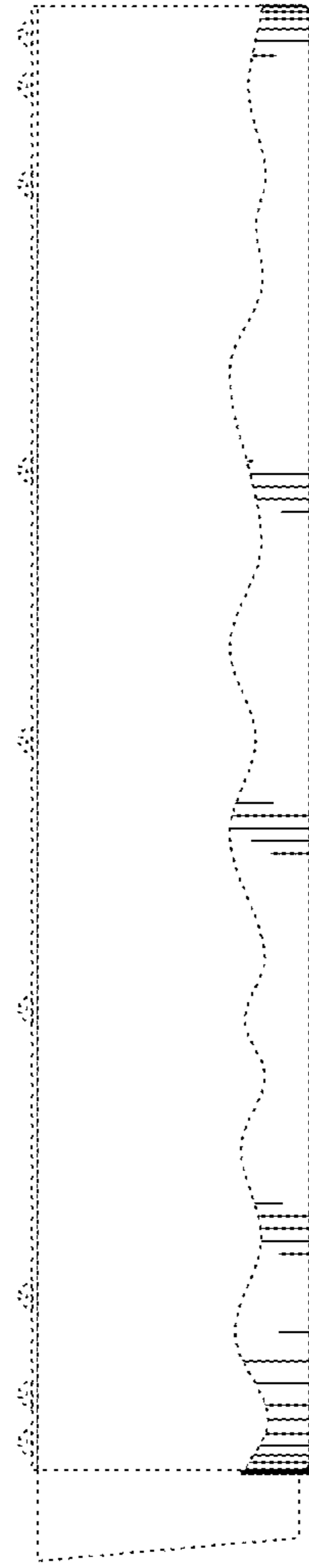


Fig. 16

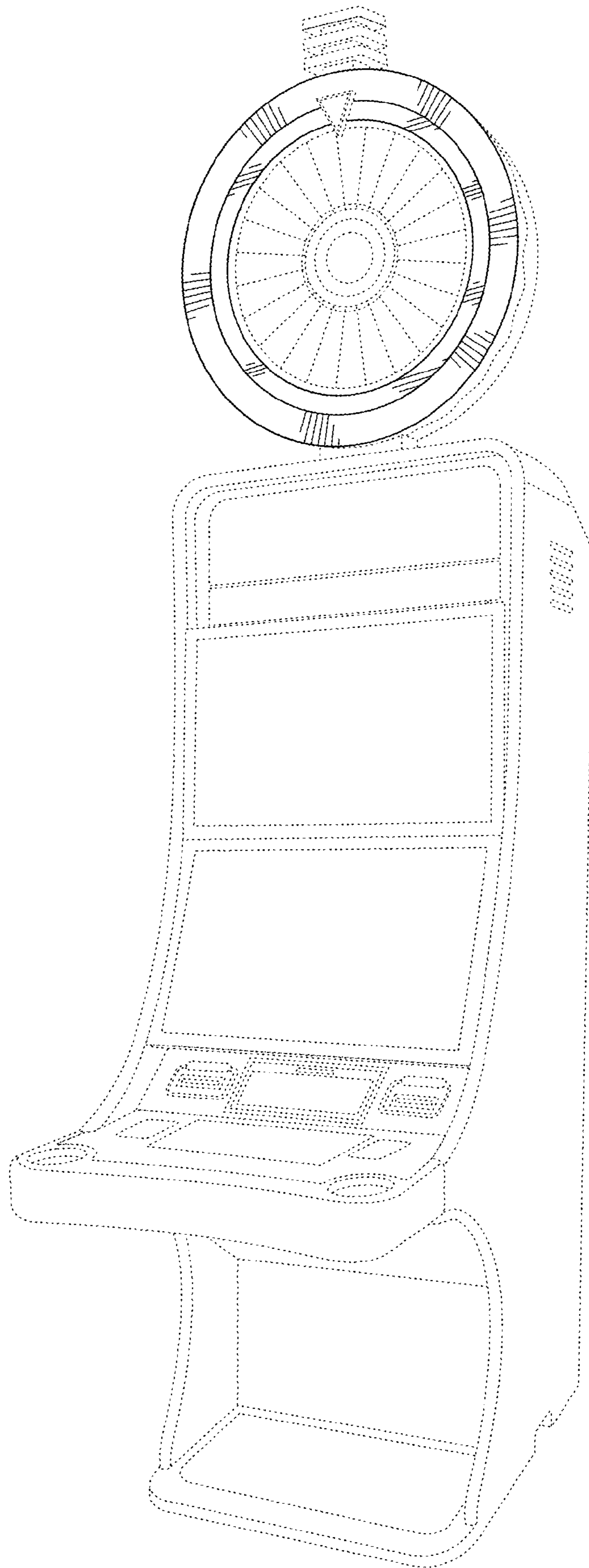


Fig. 17

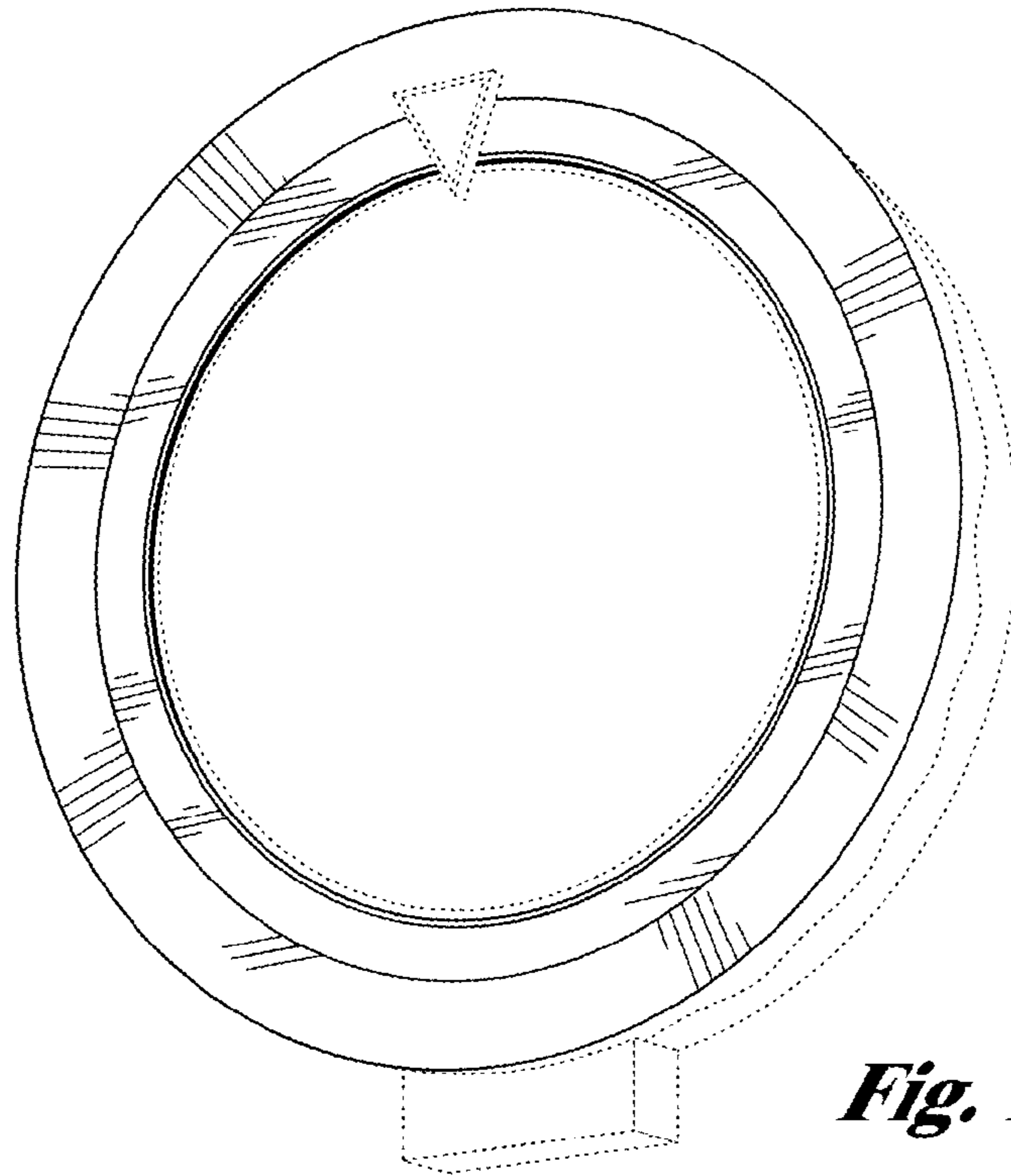


Fig. 18

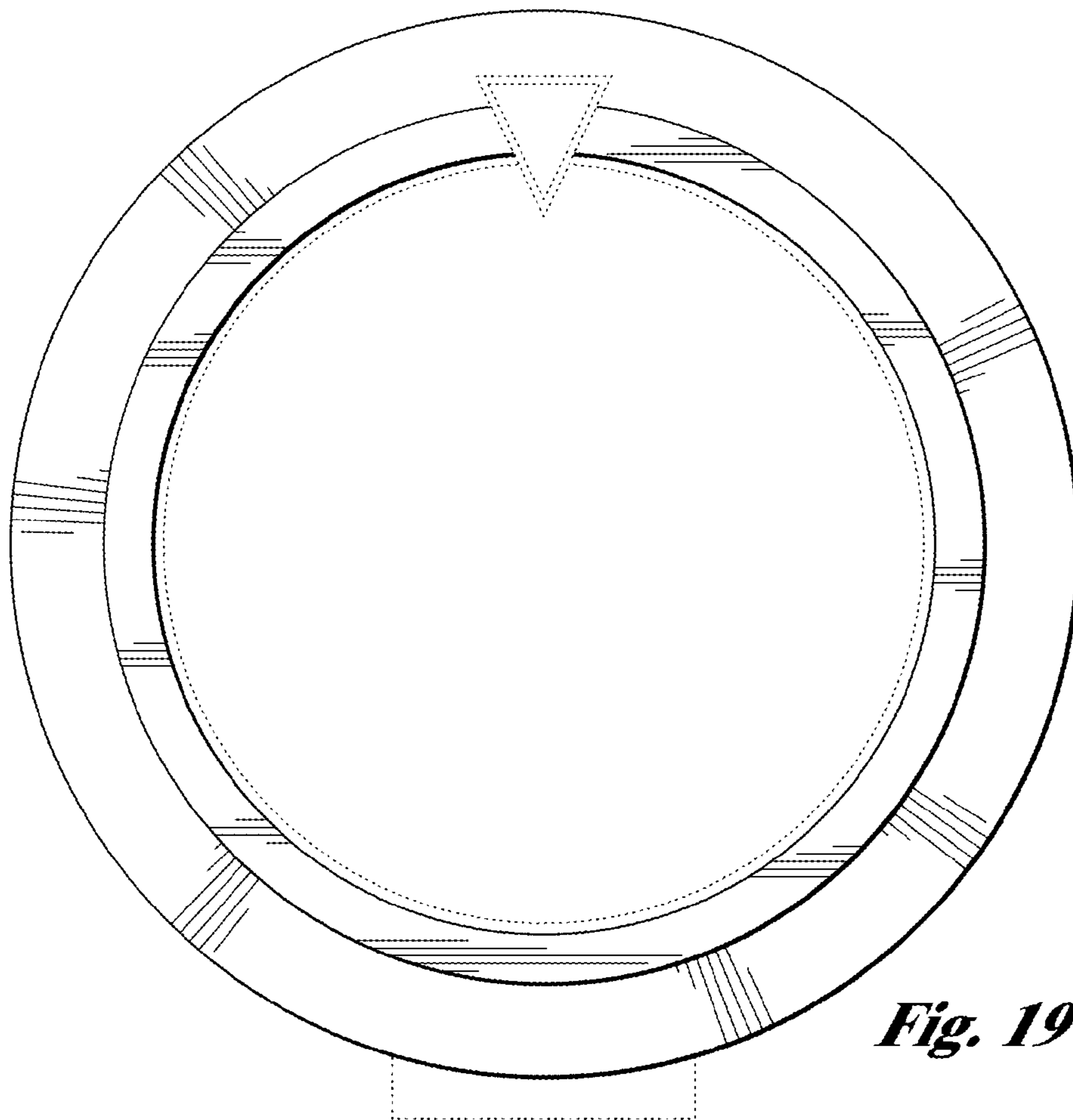


Fig. 19

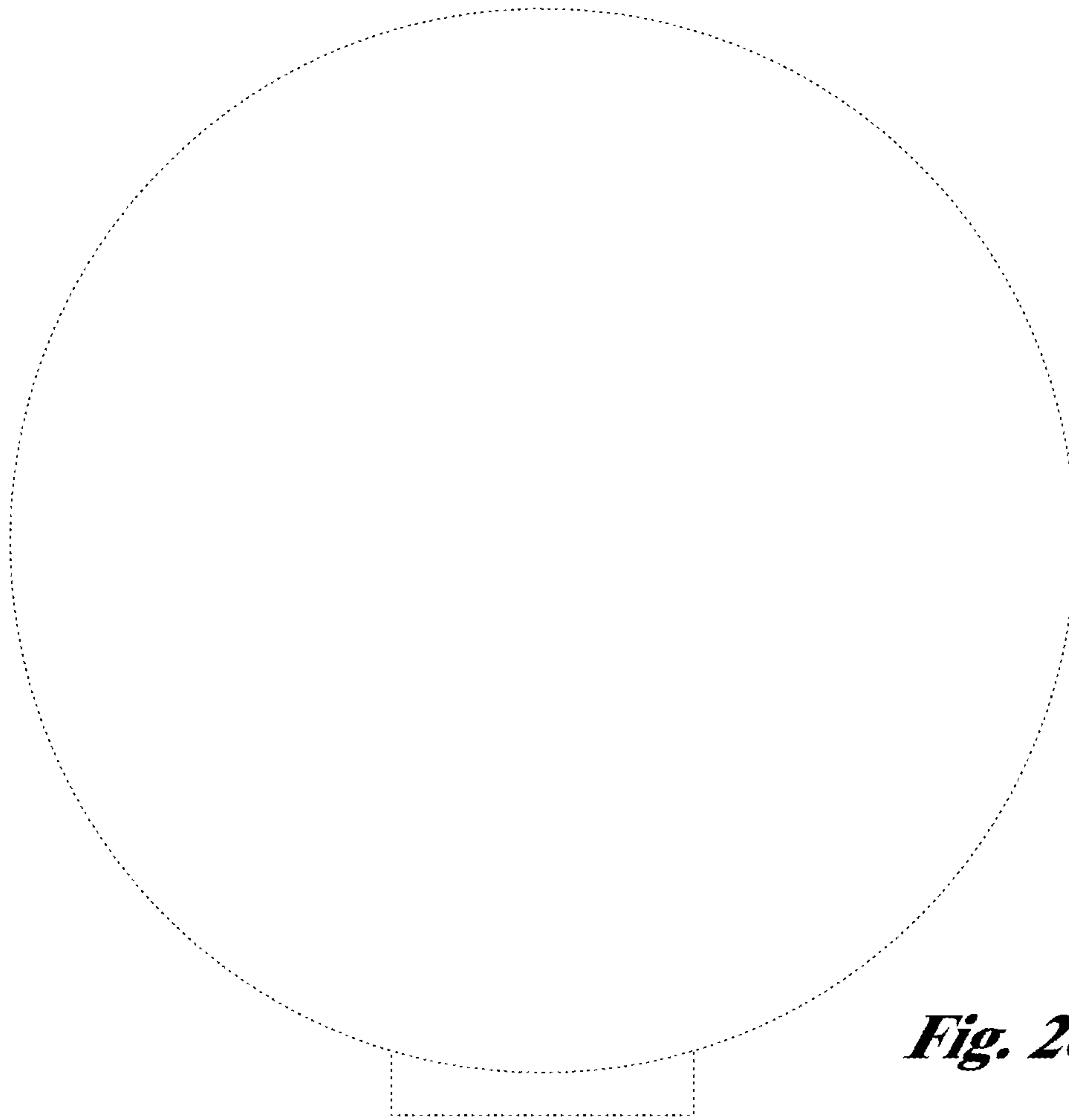


Fig. 20

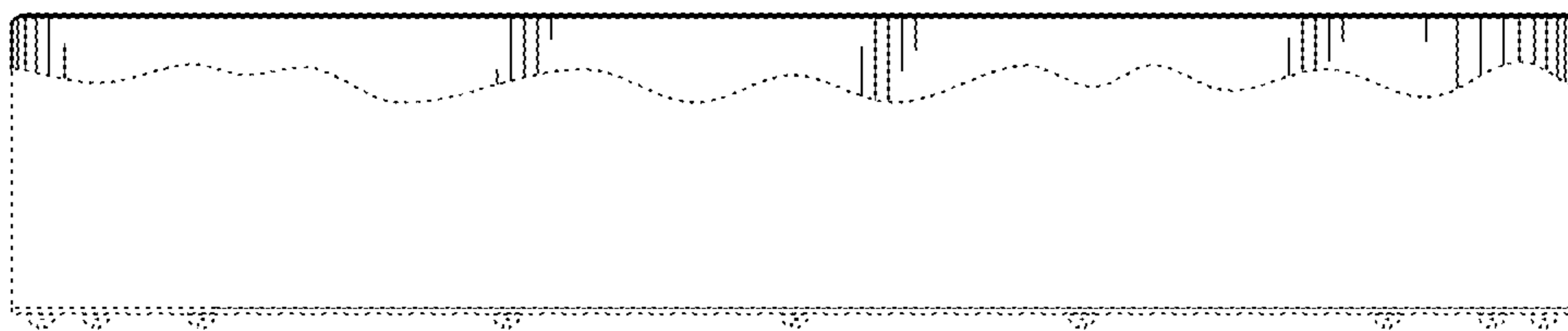


Fig. 21

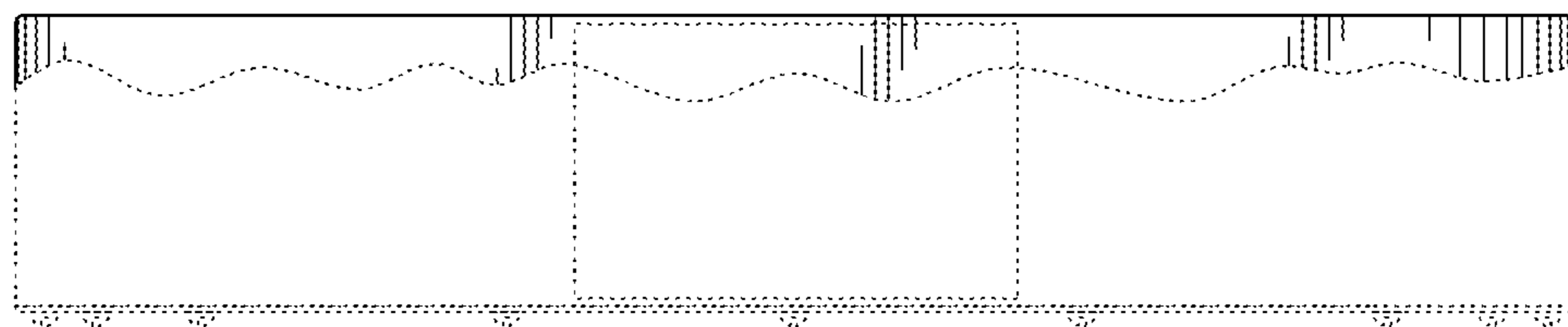


Fig. 22

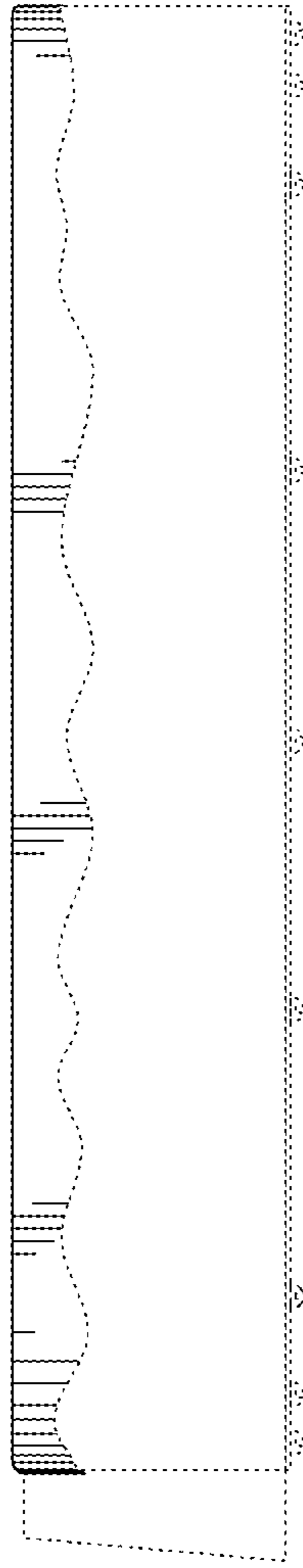


Fig. 23

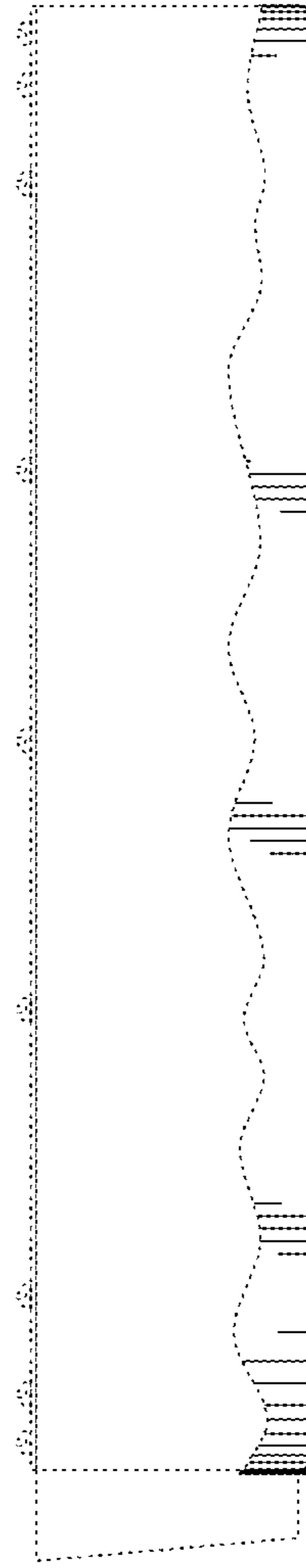


Fig. 24

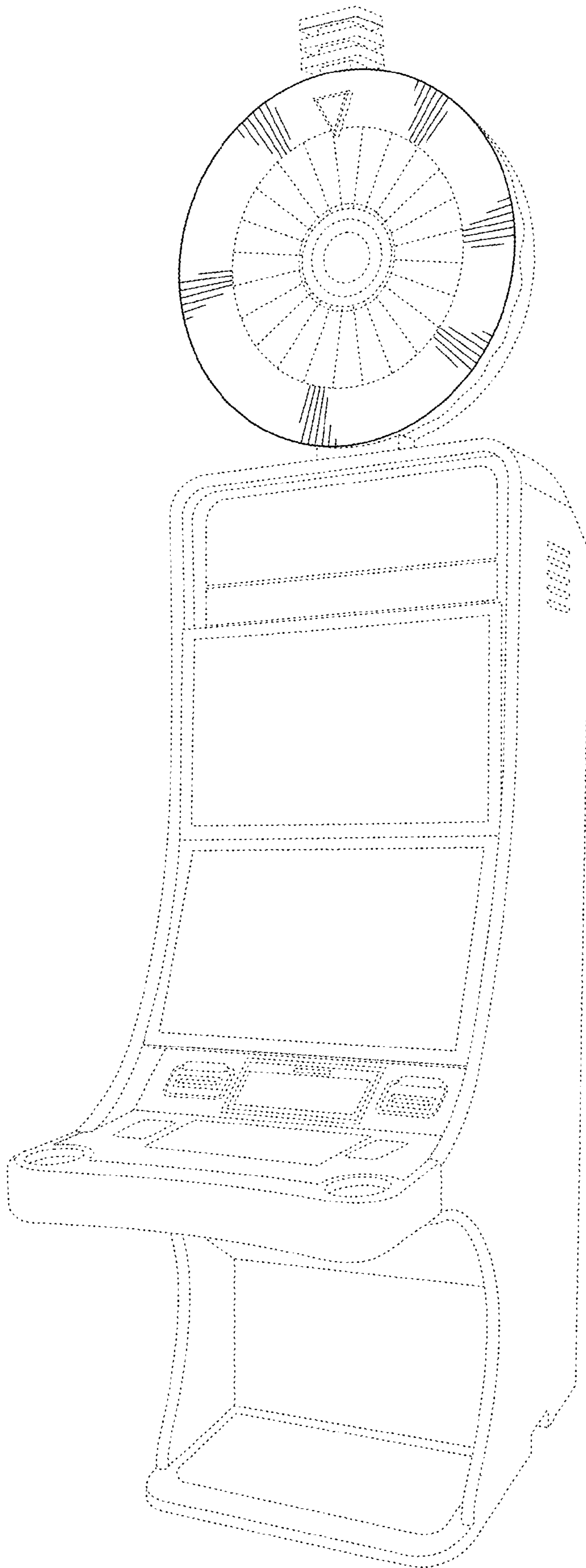


Fig. 25

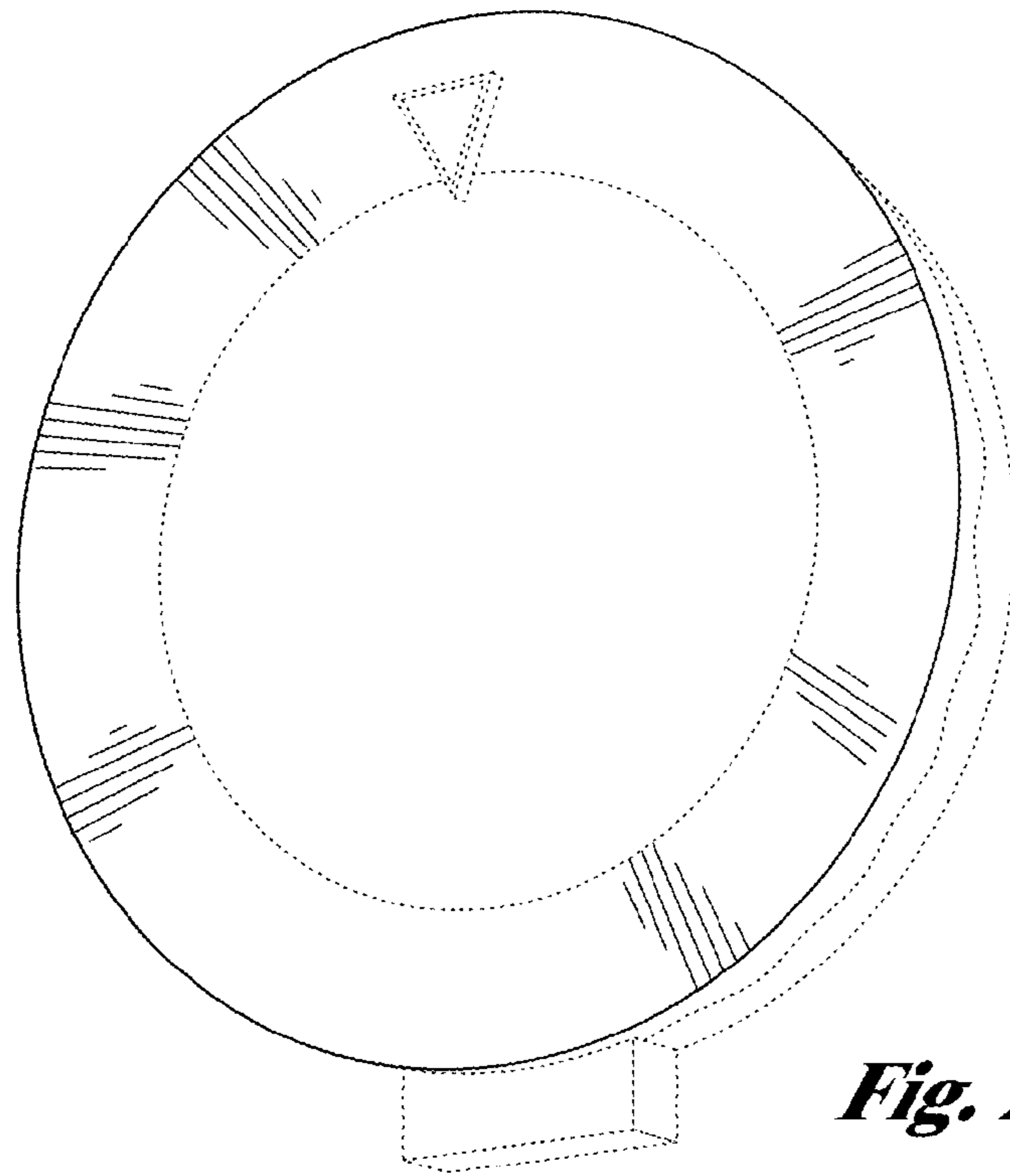


Fig. 26

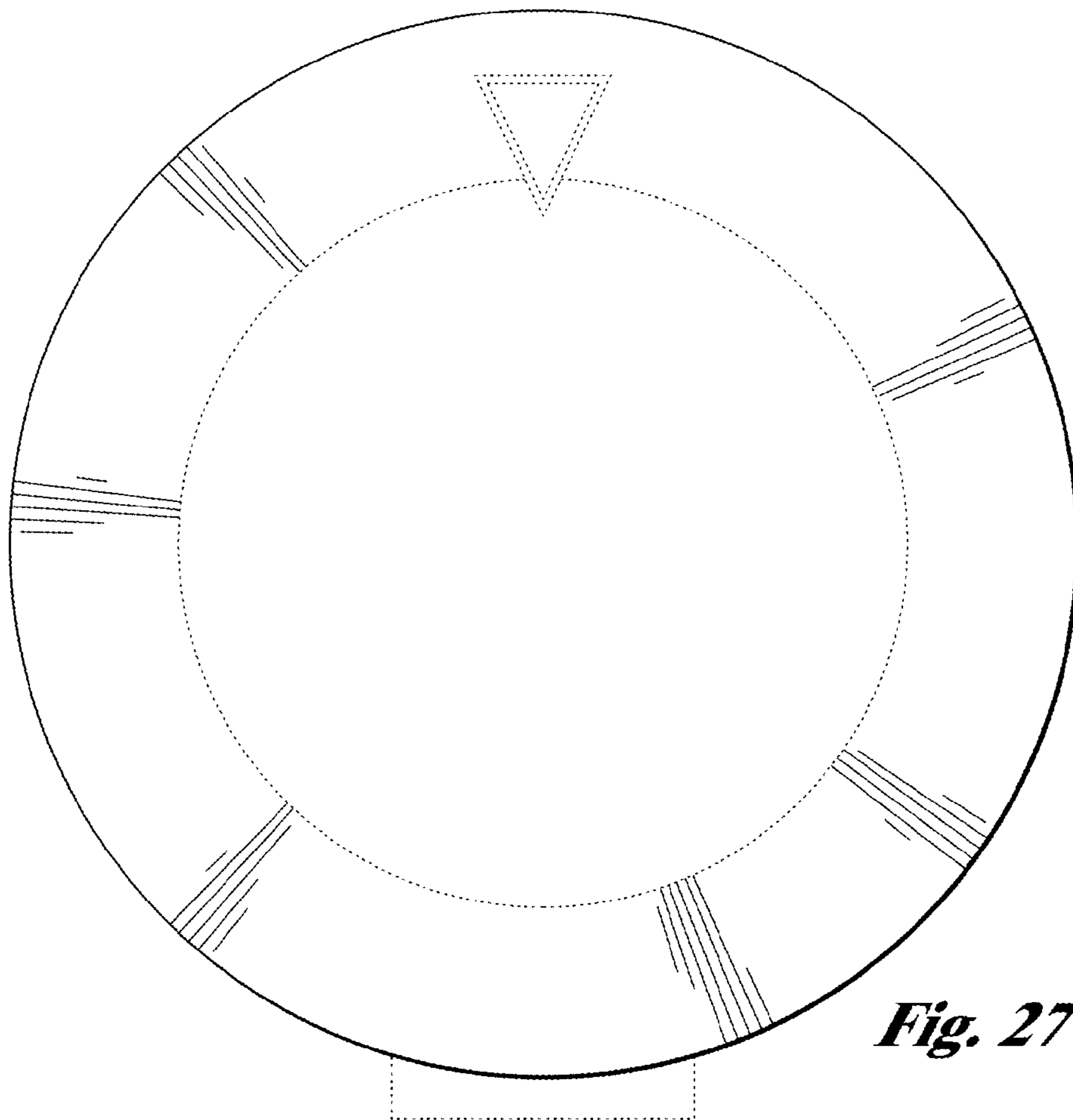


Fig. 27

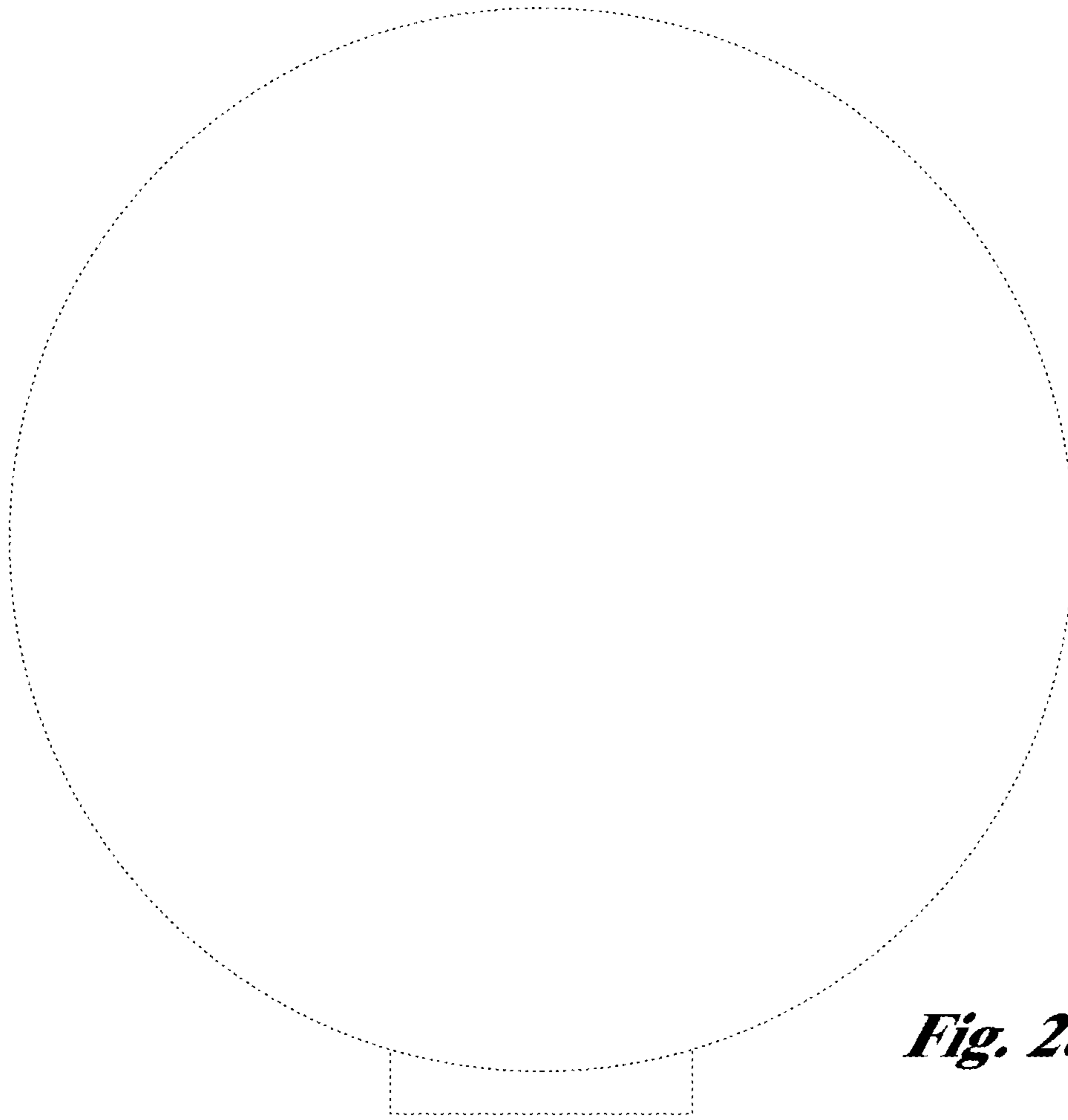


Fig. 28

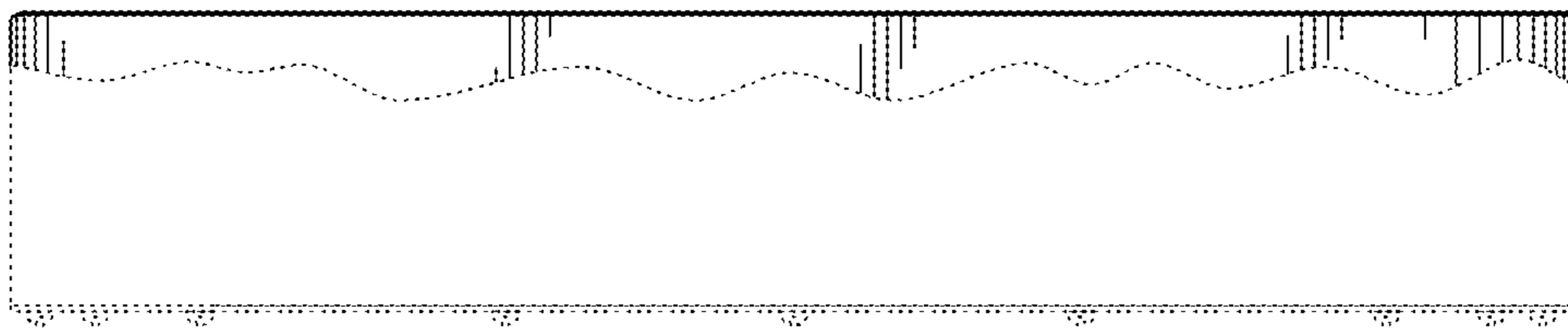


Fig. 29

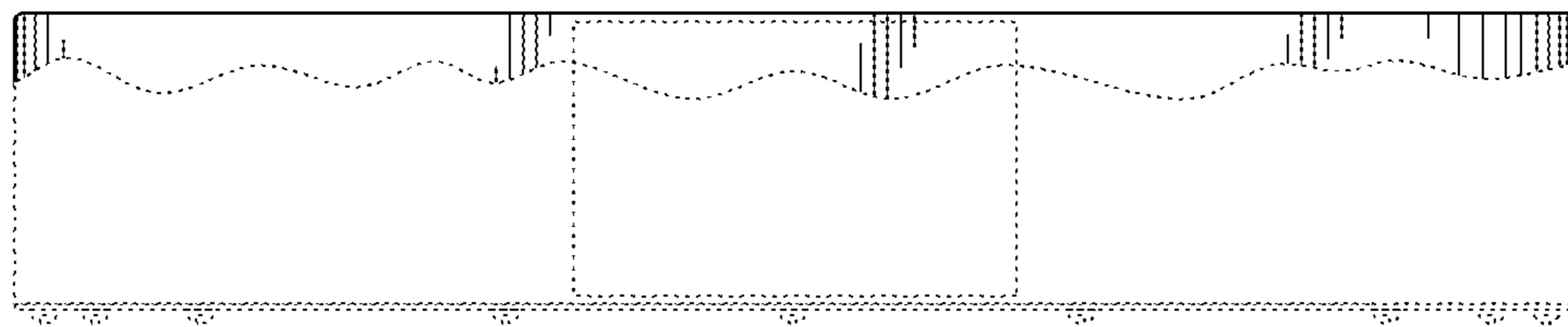


Fig. 30

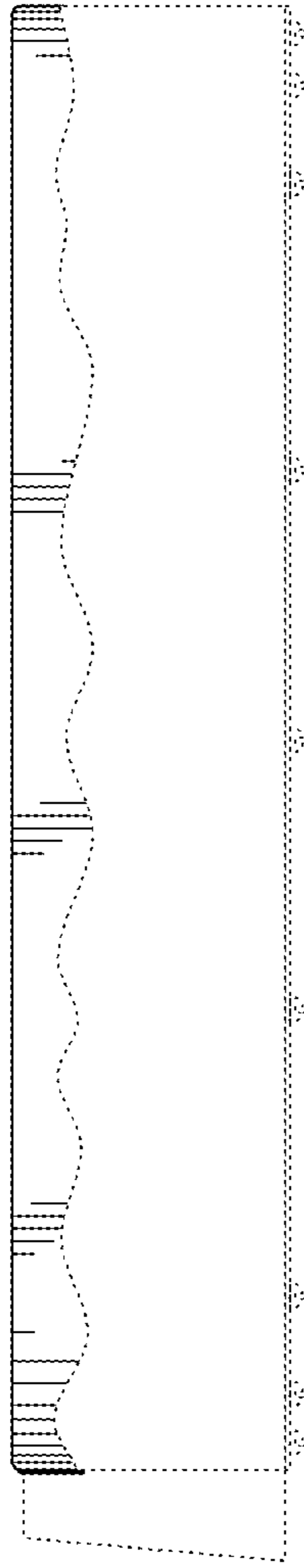


Fig. 31

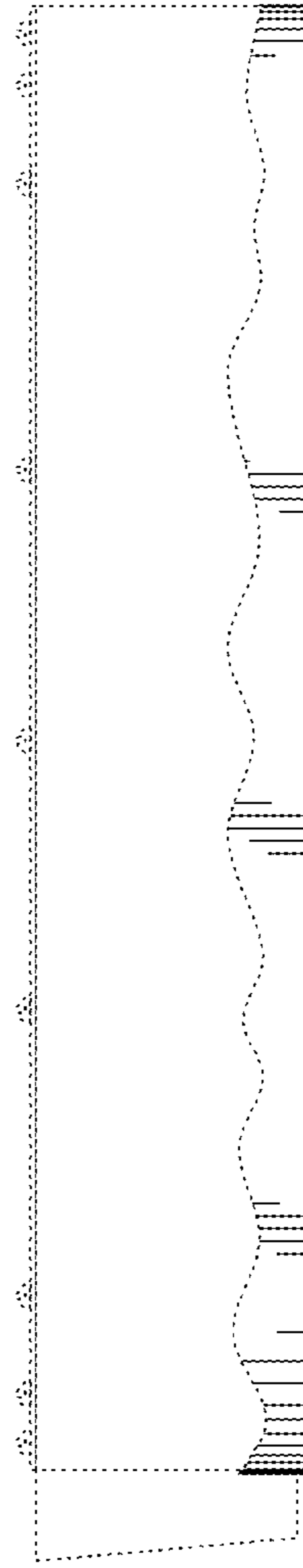


Fig. 32