



US00D927602S

(12) **United States Design Patent**
Colvin et al.

(10) **Patent No.:** **US D927,602 S**

(45) **Date of Patent:** **** Aug. 10, 2021**

(54) **ELECTRONIC GAMING MACHINE WHEEL TOPPER**

(71) Applicant: **GAMING ARTS, LLC**, Las Vegas, NV (US)

(72) Inventors: **David Colvin**, Las Vegas, NV (US);
Eric D. Colvin, Las Vegas, NV (US)

(73) Assignee: **Gaming Arts, LLC**, Las Vegas, NV (US)

(**) Term: **15 Years**

(21) Appl. No.: **29/708,642**

(22) Filed: **Oct. 8, 2019**

(51) **LOC (13) Cl.** **21-01**

(52) **U.S. Cl.**
USPC **D21/362**

(58) **Field of Classification Search**
USPC D21/369, 308, 324, 333, 334, 366, 367,
D21/392, 395, 397, 300, 371, 374, 376,
(Continued)

(56) **References Cited**

U.S. PATENT DOCUMENTS

D15,850 S * 2/1885 Brownell D6/309
D116,353 S * 8/1939 Silverman D6/309
(Continued)

Primary Examiner — Khawaja Anwar

Assistant Examiner — Julice Seung Eun Oum

(74) *Attorney, Agent, or Firm* — FisherBroyles, LLP; Rob L. Phillips

(57) **CLAIM**

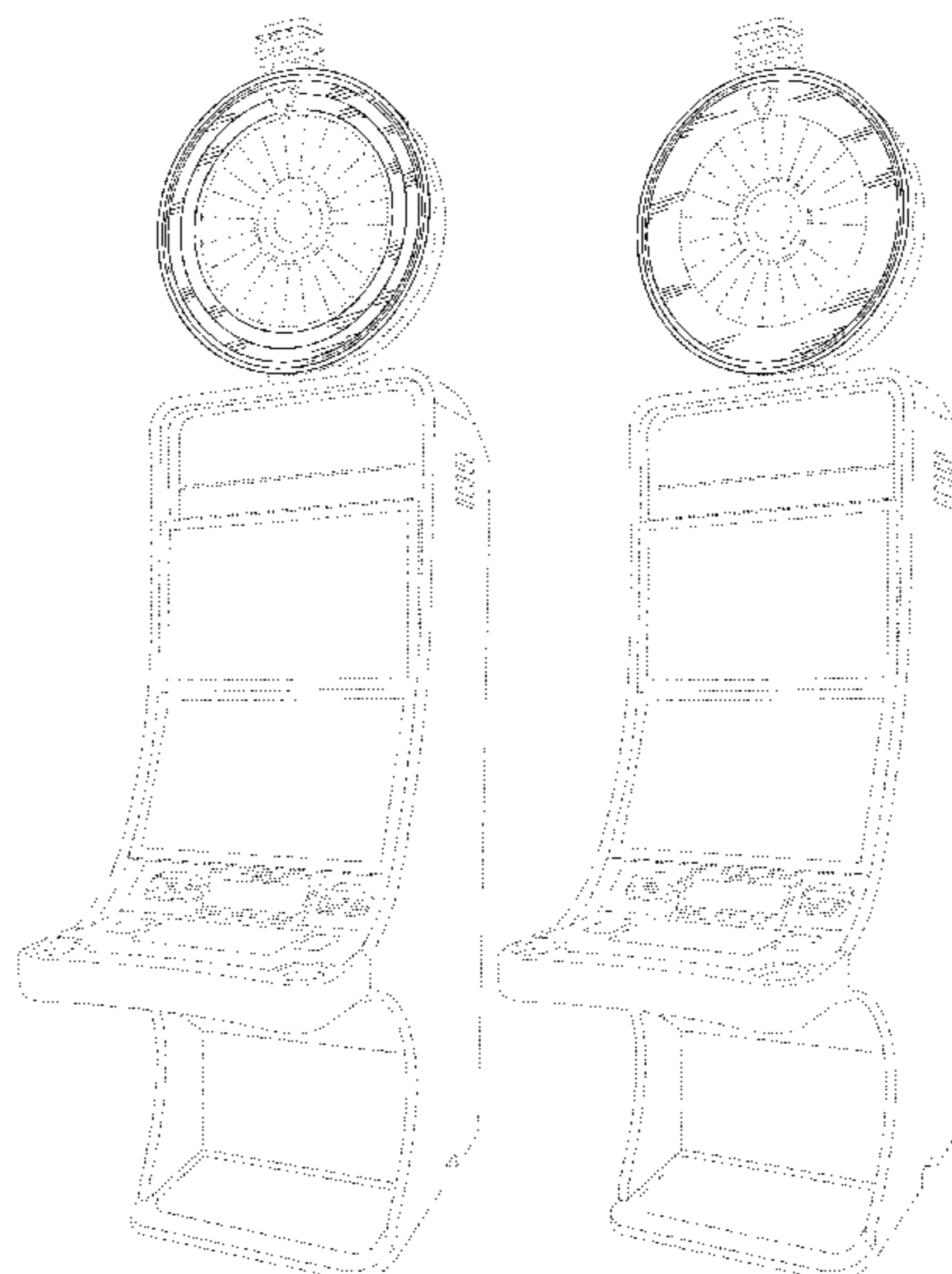
The ornamental design for an electronic gaming machine wheel topper, as shown and described.

DESCRIPTION

FIG. 1 is a perspective view of a first embodiment of an electronic gaming machine wheel topper showing our new design;

FIG. 2 is a perspective view thereof;
FIG. 3 is a front elevational view thereof;
FIG. 4 is a rear elevational view thereof;
FIG. 5 is a top plan view thereof;
FIG. 6 is a bottom plan view of;
FIG. 7 is a right side view thereof;
FIG. 8 is a left side view thereof;
FIG. 9 is a perspective view of a second embodiment of an electronic gaming machine wheel topper showing our new design;
FIG. 10 is a perspective view thereof;
FIG. 11 is a front elevational view thereof;
FIG. 12 is a rear elevational view thereof;
FIG. 13 is a top plan view thereof;
FIG. 14 is a bottom plan view thereof;
FIG. 15 is a right side view thereof;
FIG. 16 is a left side view of;
FIG. 17 is a perspective view of a third embodiment of an electronic gaming machine wheel topper showing our new design;
FIG. 18 is a perspective view thereof;
FIG. 19 is a front elevational view thereof;
FIG. 20 is a rear elevational view thereof;
FIG. 21 is a top plan view thereof;
FIG. 22 is a bottom plan view thereof;
FIG. 23 is a right side view thereof;
FIG. 24 is a left side view thereof;
FIG. 25 is a perspective view of a fourth embodiment of an electronic gaming machine wheel topper showing our new design;
FIG. 26 is a perspective view thereof;
FIG. 27 is a front elevational view thereof;
FIG. 28 is a rear elevational view thereof;
FIG. 29 is a top plan view thereof;
FIG. 30 is a bottom plan view thereof;
FIG. 31 is a right side view thereof; and,
FIG. 32 is a left side view thereof.
In the drawings, the broken lines depict environmental subject matter only and form no part of the claimed design.

1 Claim, 16 Drawing Sheets



US D927,602 S

Page 2

(58) **Field of Classification Search**

USPC D21/380, 385, 363, 365, 325, 329;
D99/8, 43; D6/308, 309
CPC G07F 17/321; G07F 17/3213
See application file for complete search history.

(56) **References Cited**

U.S. PATENT DOCUMENTS

D334,667 S * 4/1993 Lonczak D6/308
5,997,149 A * 12/1999 Chu A45D 42/10
362/142
6,705,944 B2 * 3/2004 Luciano G07F 17/32
273/143 R
D529,724 S * 10/2006 Mohundro D6/309
D530,525 S * 10/2006 Greene, II D6/309
D546,075 S * 7/2007 Kreiss D6/309
D569,919 S * 5/2008 Zielinski D21/370
D580,184 S * 11/2008 Svendsen D6/309
7,614,949 B2 * 11/2009 Anderson G07F 17/32
273/138.2
D665,853 S * 8/2012 DeSimone D21/370

D681,129 S * 4/2013 DeSimone D21/370
D689,701 S * 9/2013 Mischel, Jr. D6/309
D711,874 S * 8/2014 Cope D14/374
D719,747 S * 12/2014 Mischel, Jr. D6/309
8,956,216 B1 * 2/2015 LeSourd G07F 17/3213
463/20
D814,575 S * 4/2018 Colvin D21/385
D846,651 S * 4/2019 Colvin D21/385
D847,906 S * 5/2019 Colvin D21/385
D899,107 S * 10/2020 Luo D6/309
2006/0025200 A1 * 2/2006 Van Asdale G07F 17/3267
463/20
2012/0122571 A1 * 5/2012 DeSimone G07F 17/3211
463/31
2015/0031444 A1 * 1/2015 Colvin G07F 17/3232
463/25
2015/0187181 A1 * 7/2015 Link G07F 17/3255
463/25
2017/0236382 A1 * 8/2017 Colvin G07F 17/3211
463/17
2017/0287262 A1 * 10/2017 Adams A63F 5/04
2019/0311570 A1 * 10/2019 Lamb G07F 17/34
2020/0234392 A1 * 7/2020 Edick G07F 17/3216

* cited by examiner

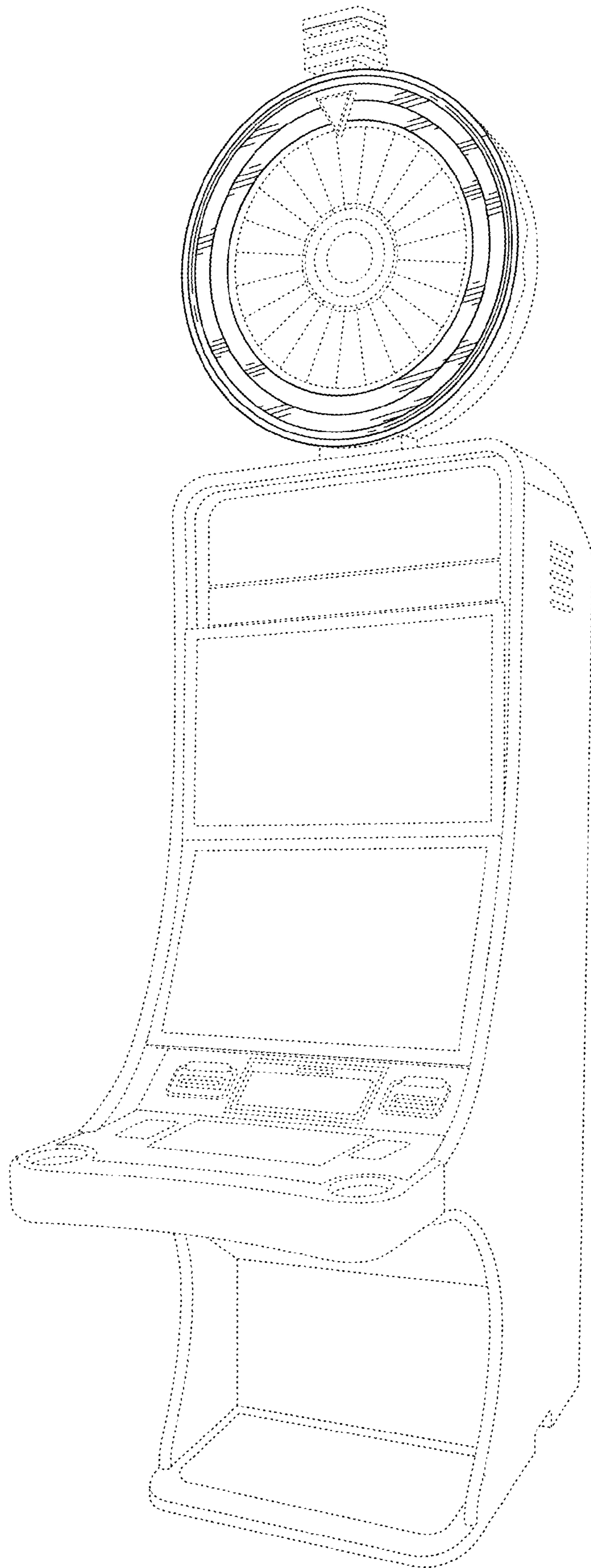


Fig. 1

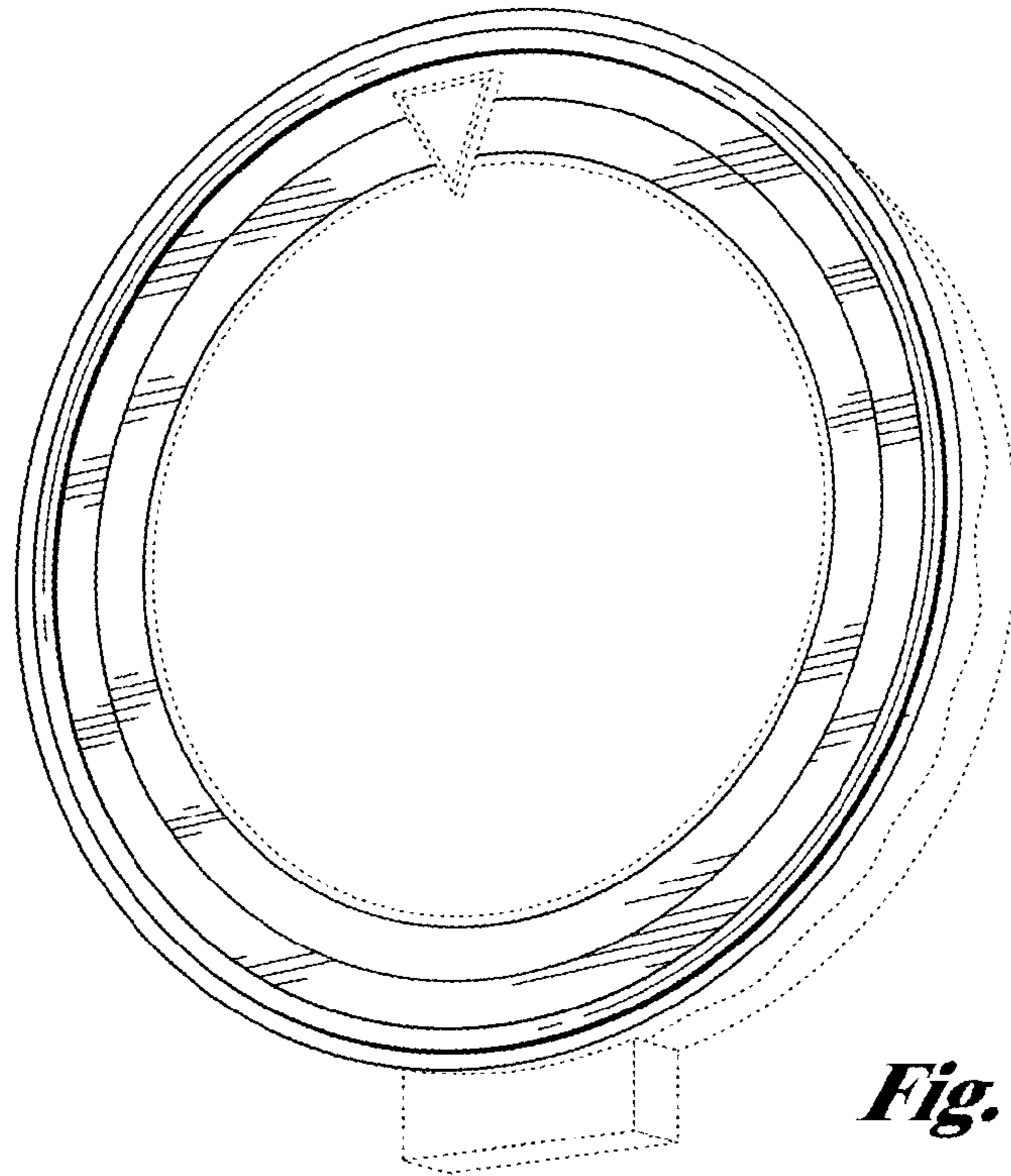


Fig. 2

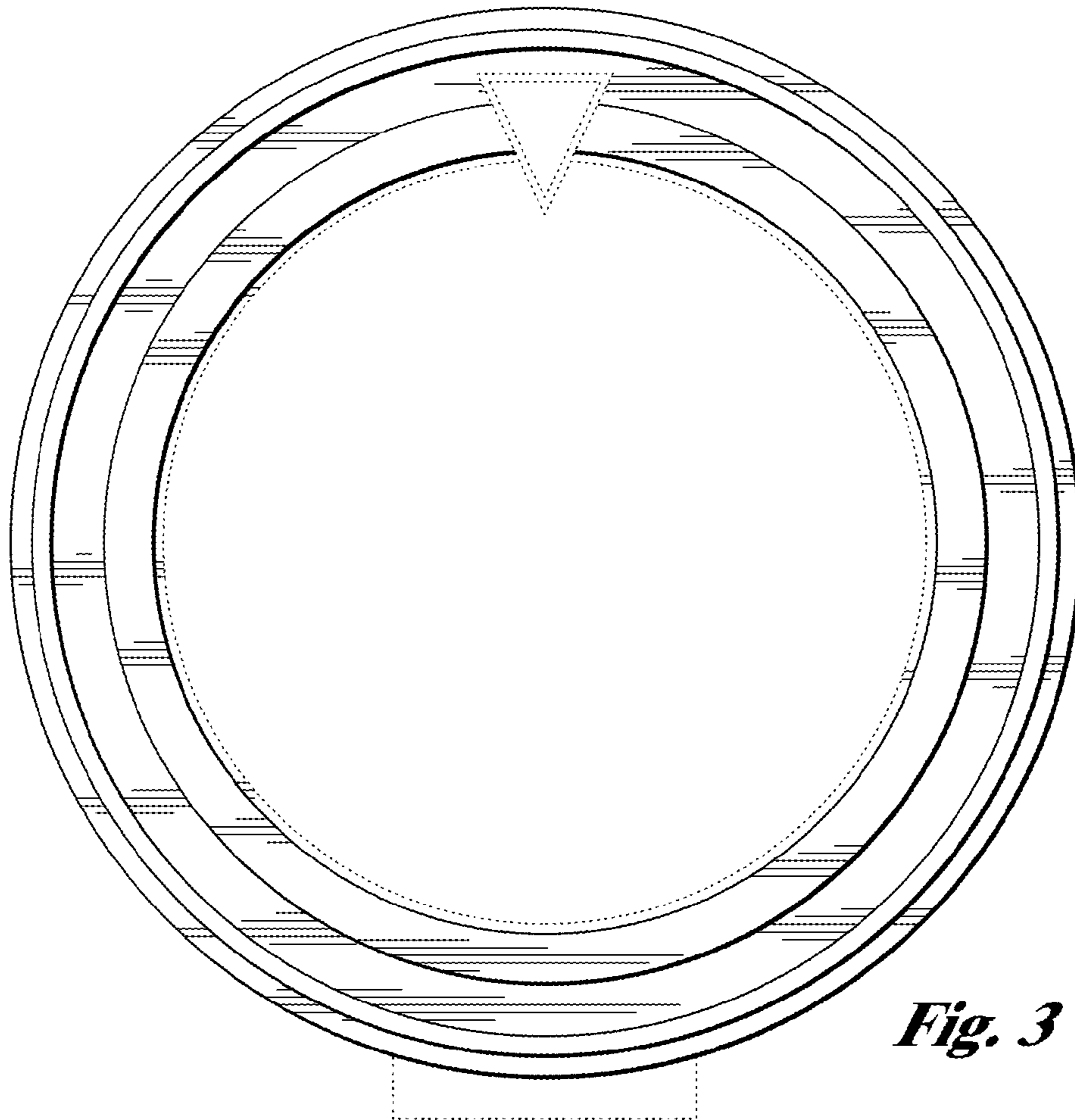


Fig. 3

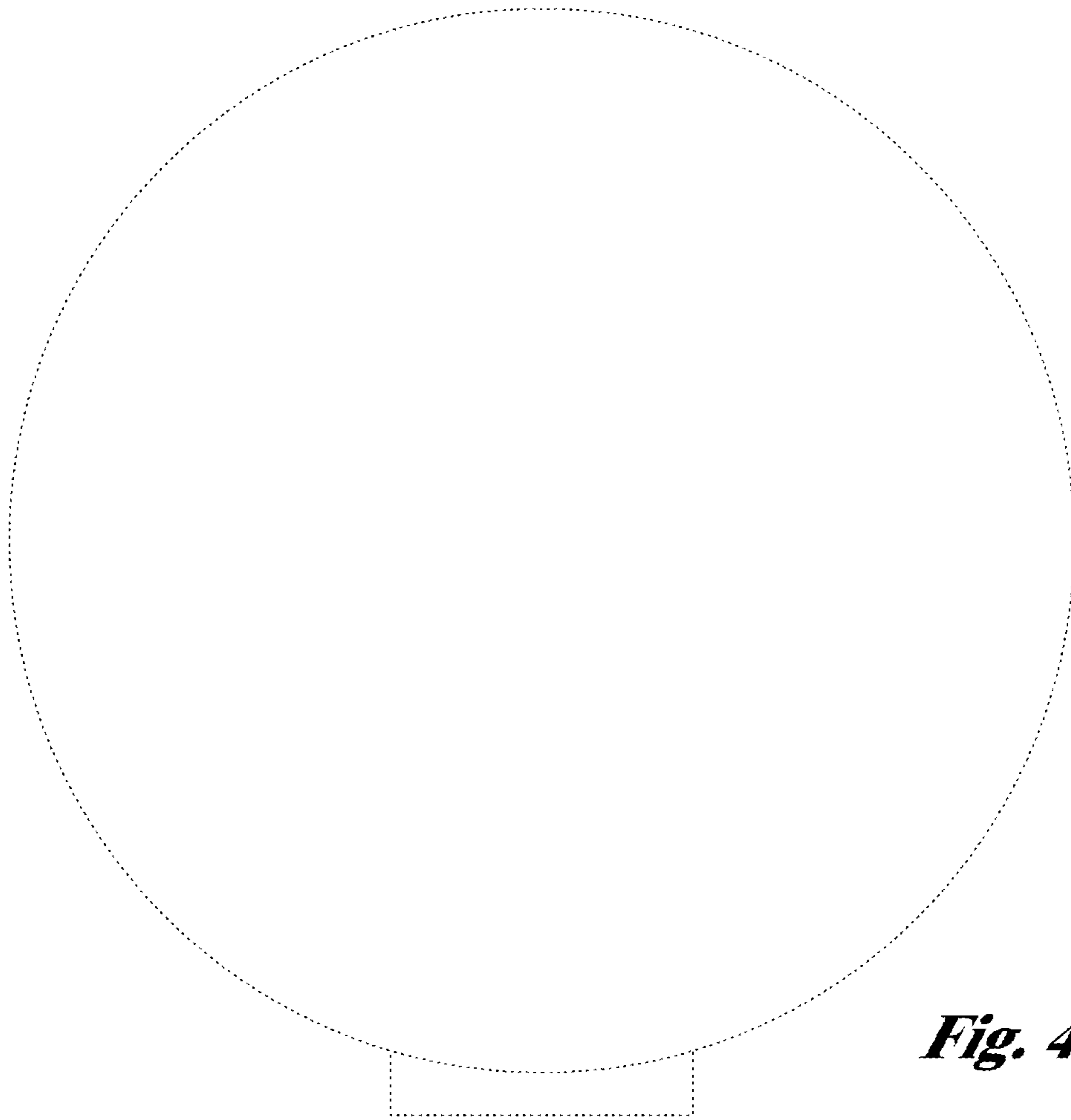


Fig. 4

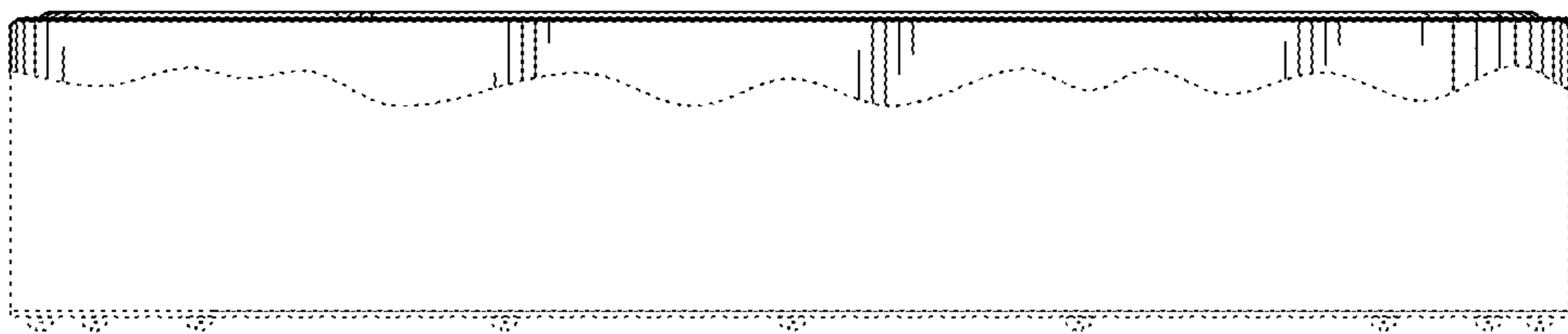


Fig. 5

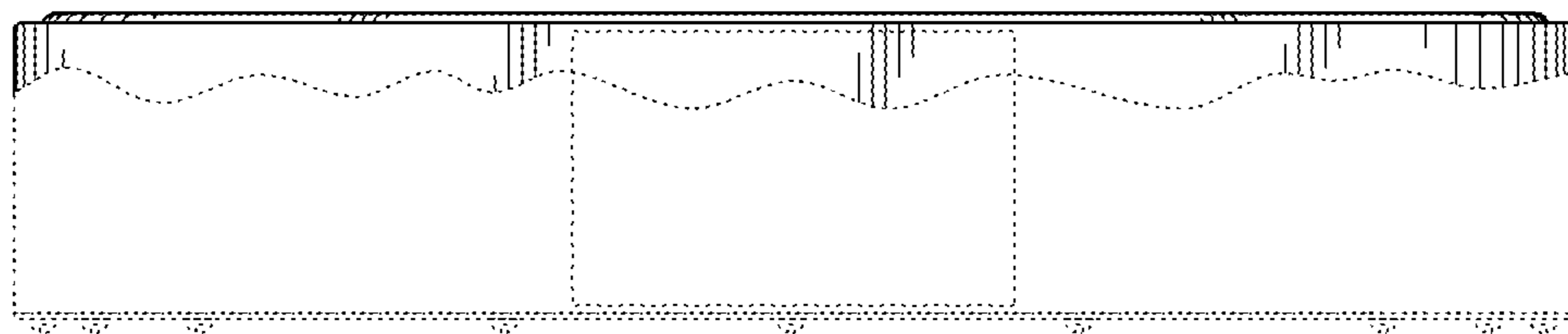


Fig. 6

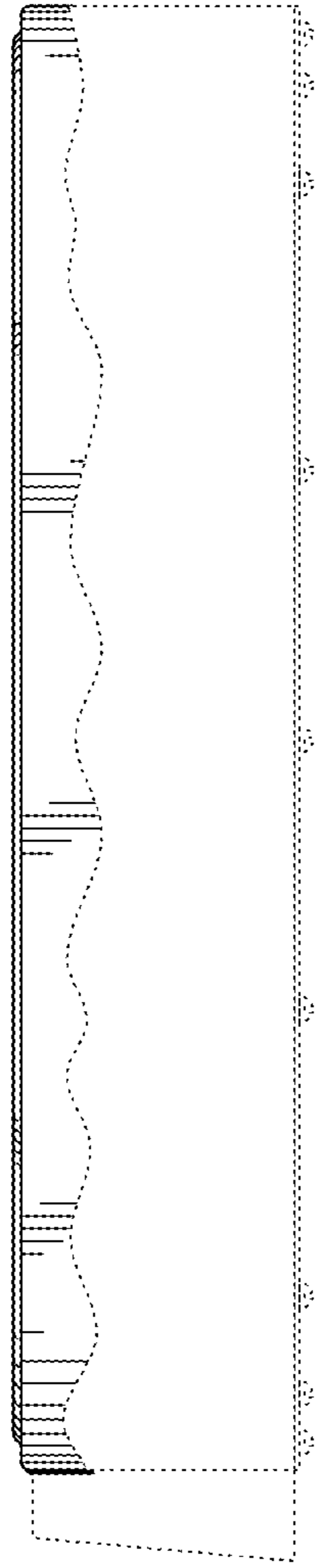


Fig. 7

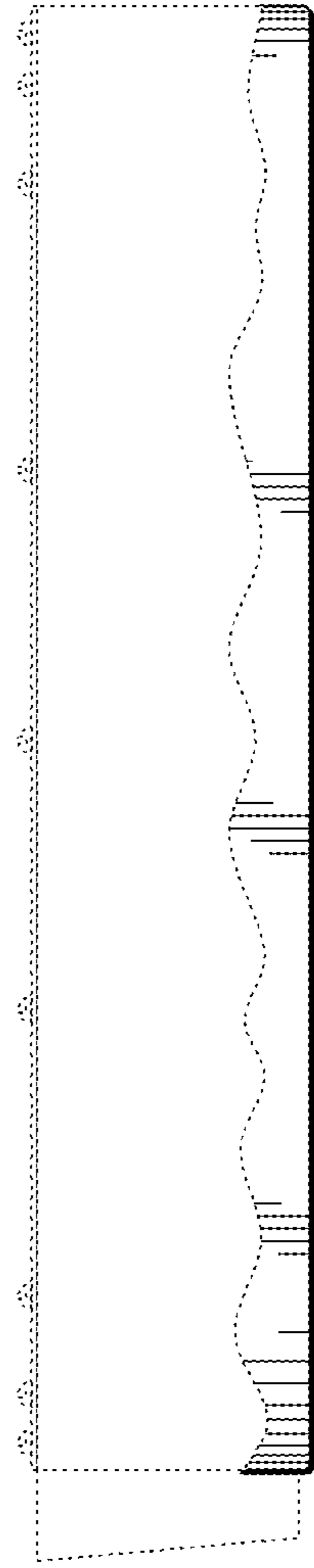


Fig. 8

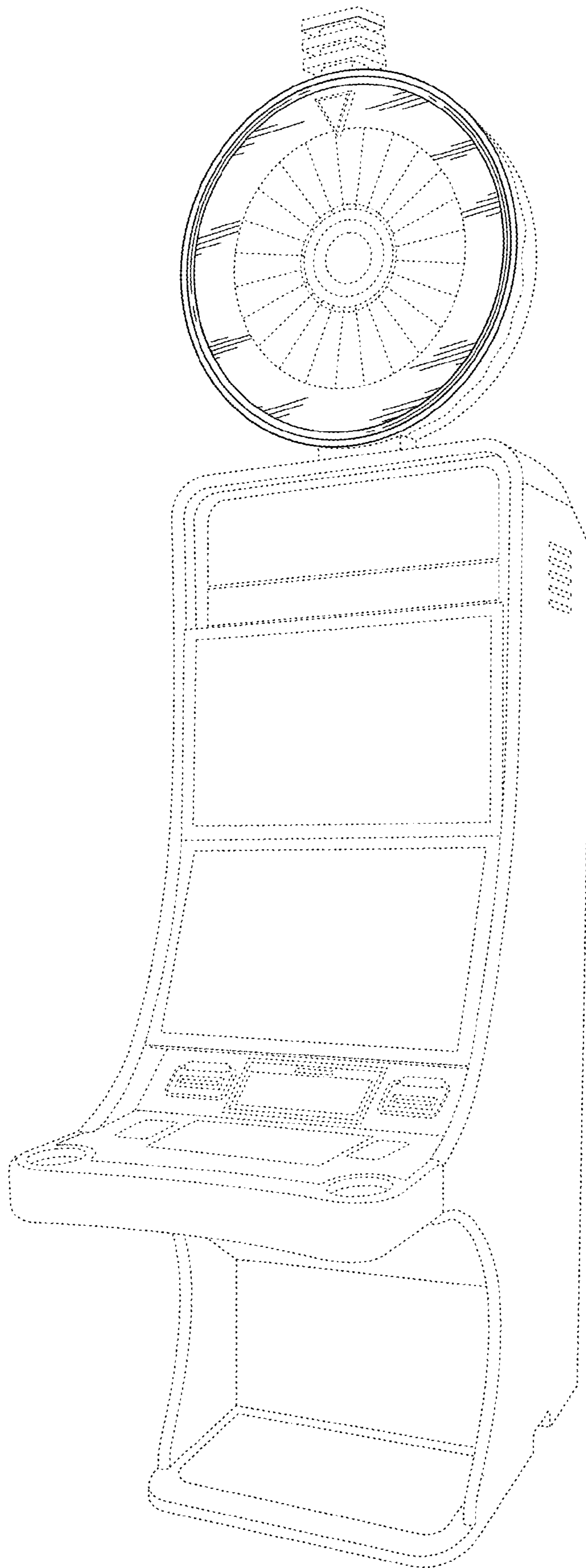


Fig. 9

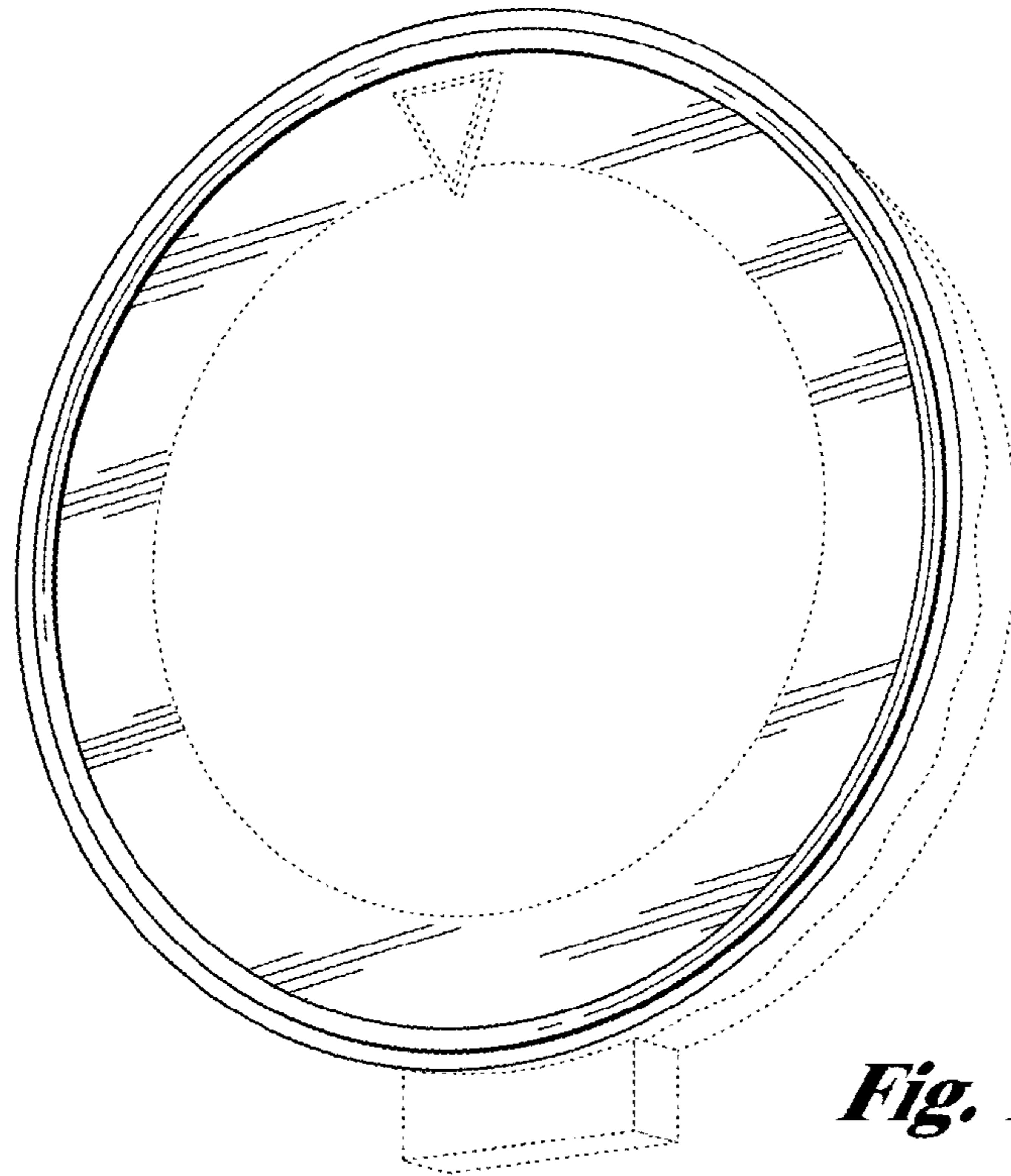


Fig. 10

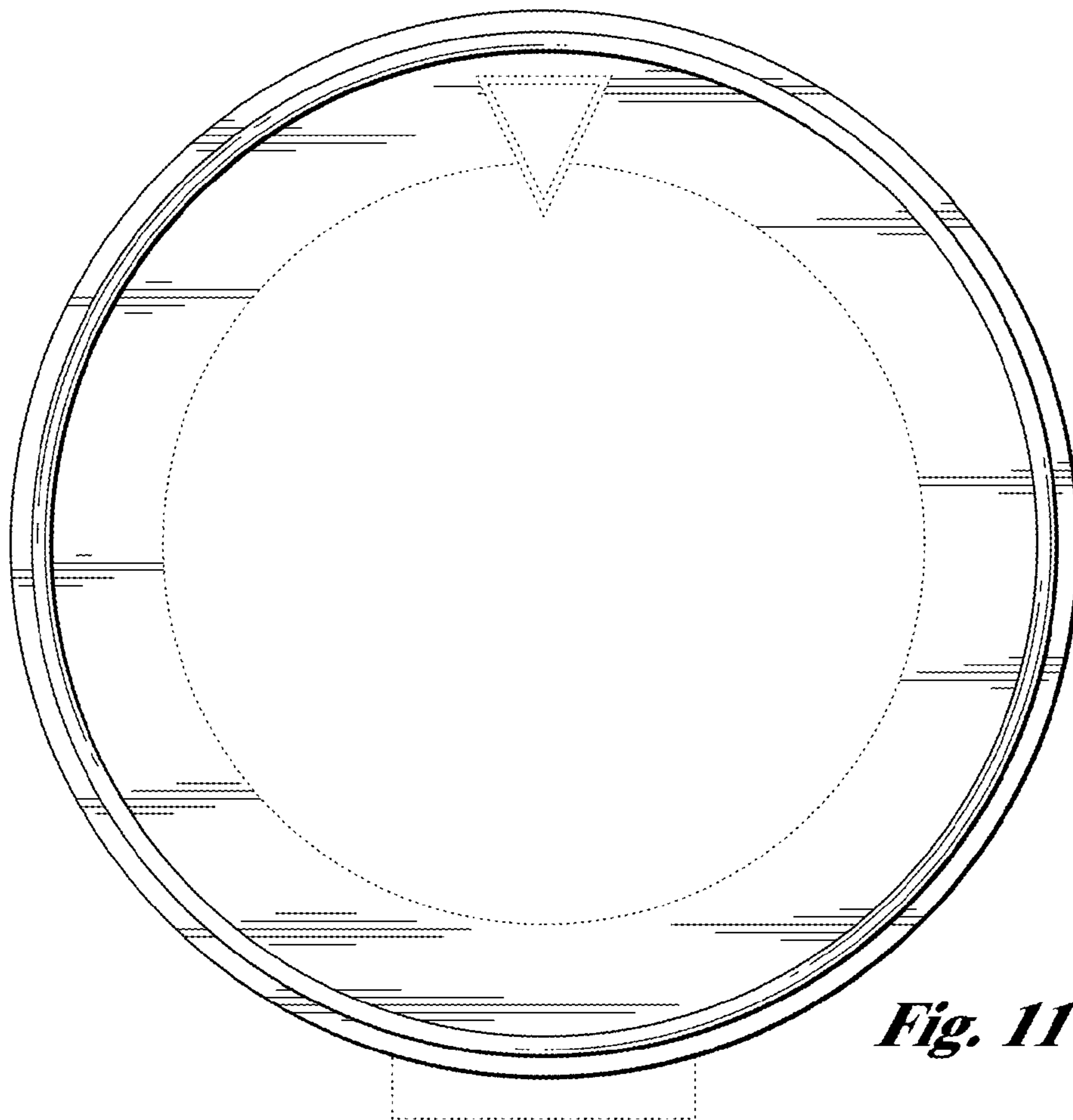


Fig. 11

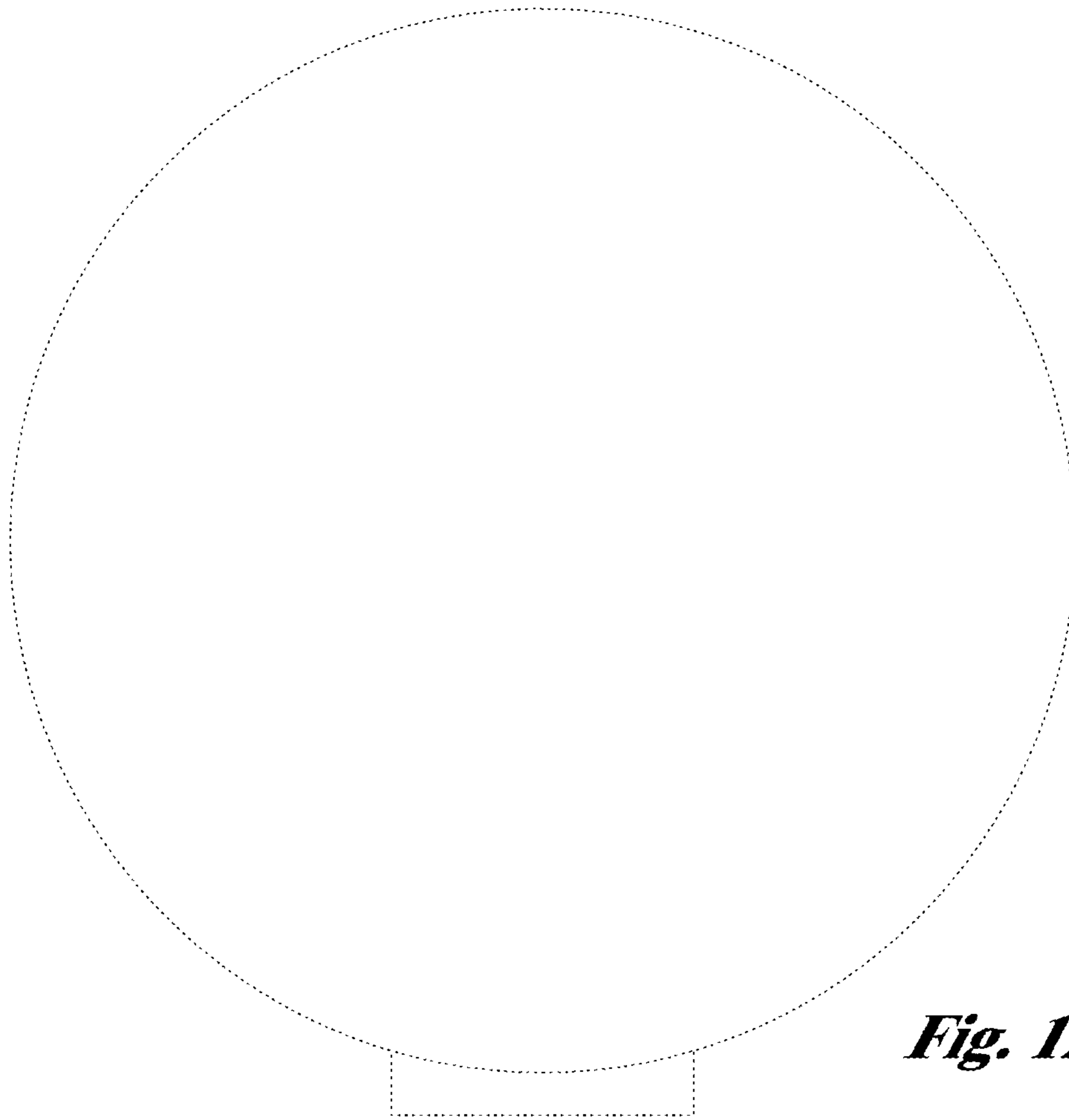


Fig. 12

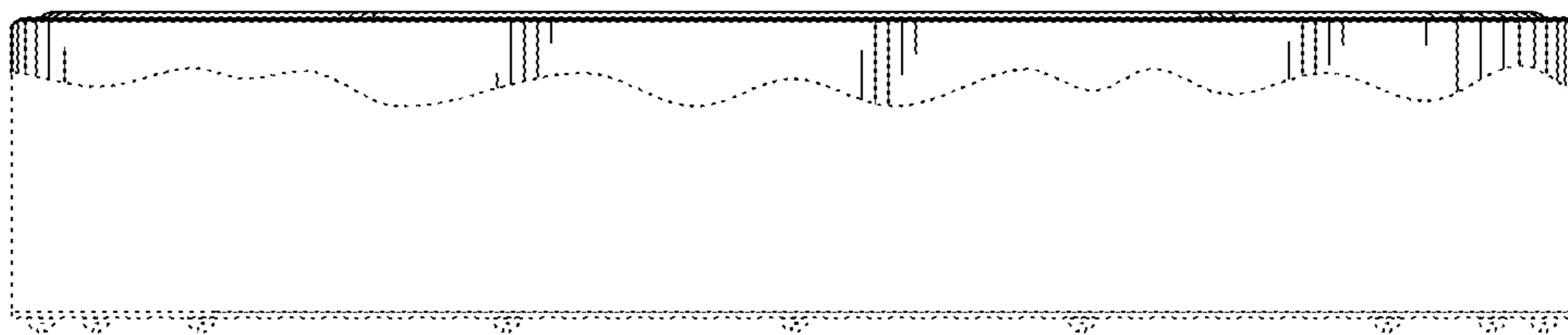


Fig. 13

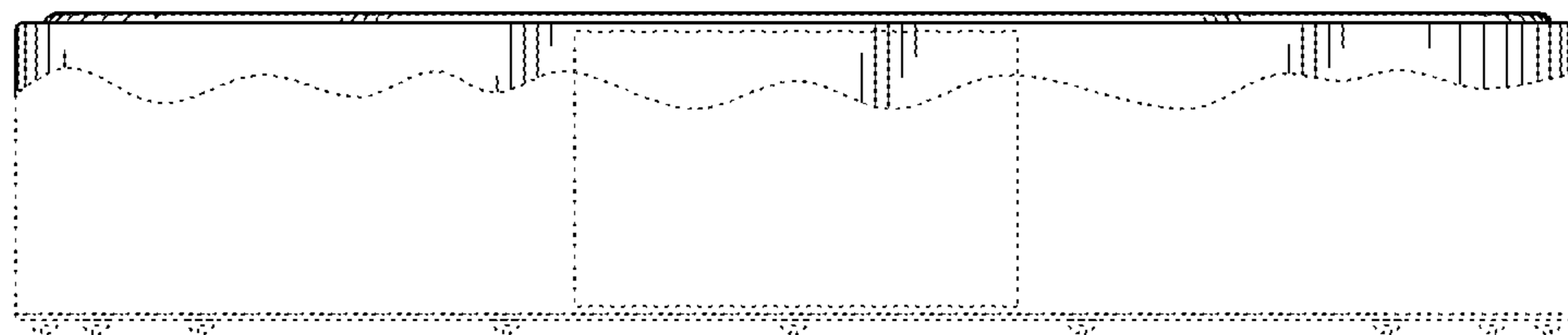


Fig. 14

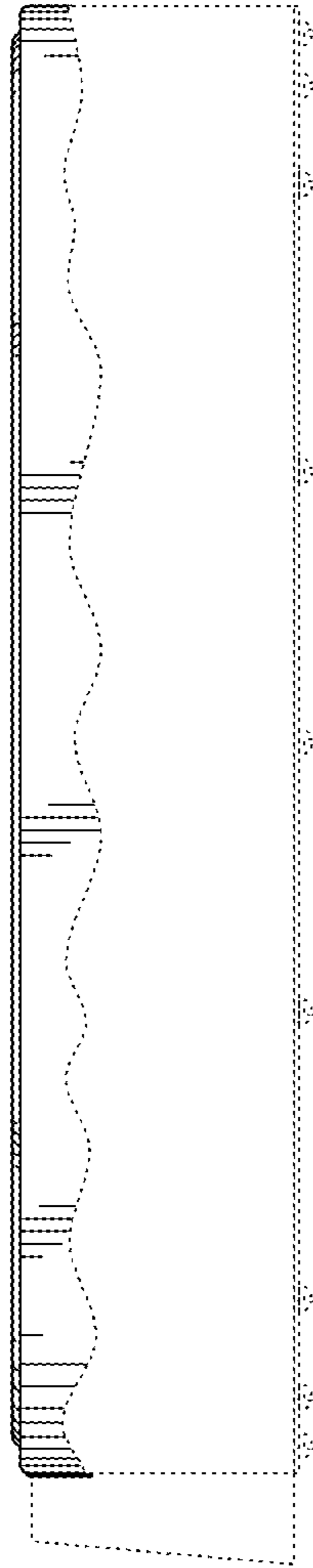


Fig. 15

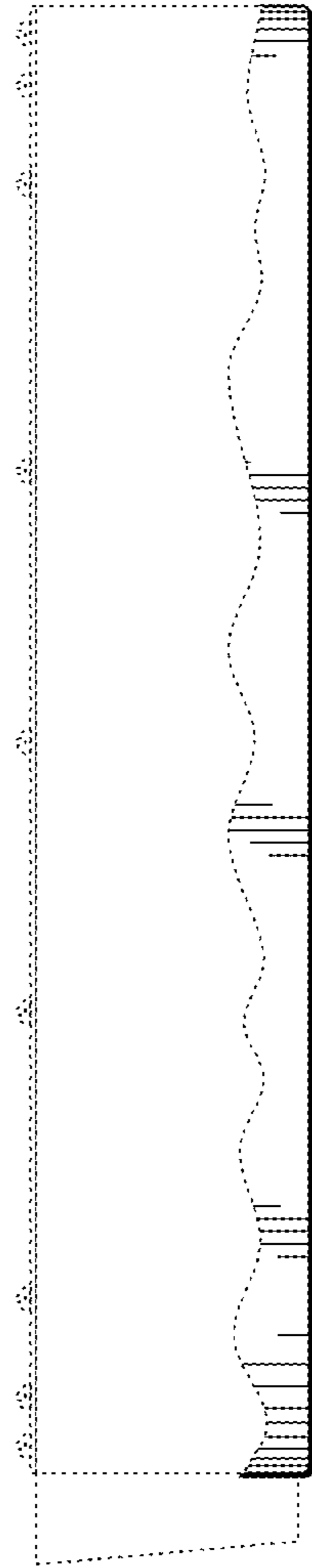


Fig. 16

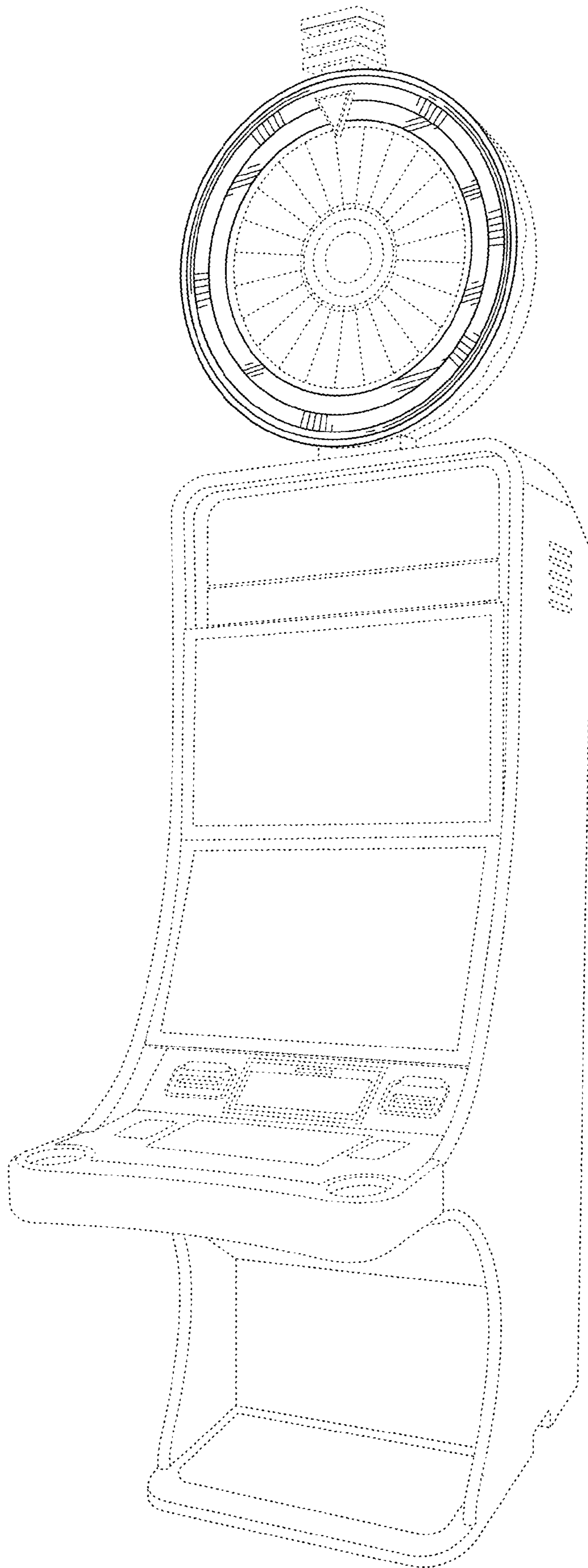


Fig. 17

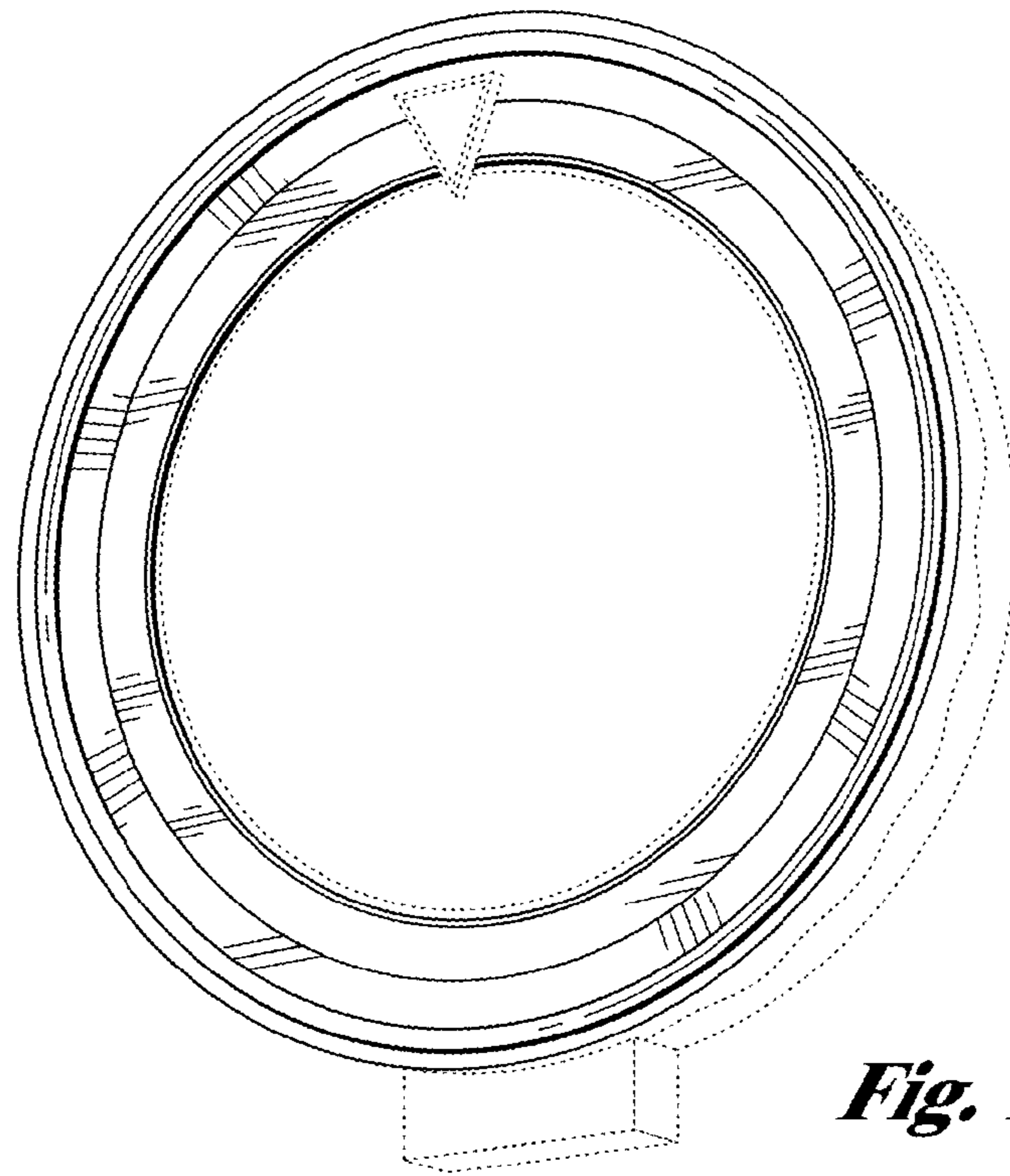


Fig. 18

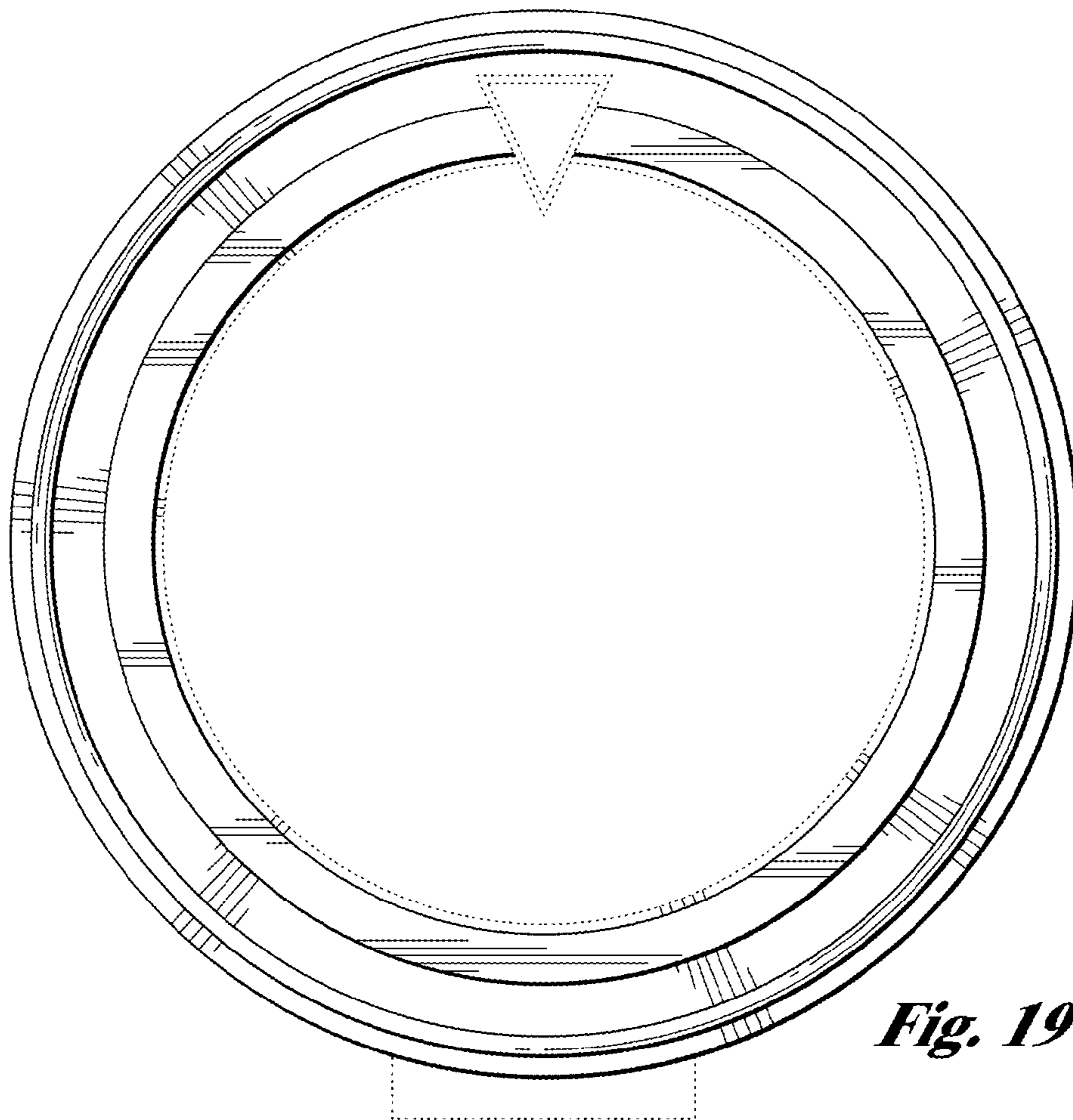


Fig. 19

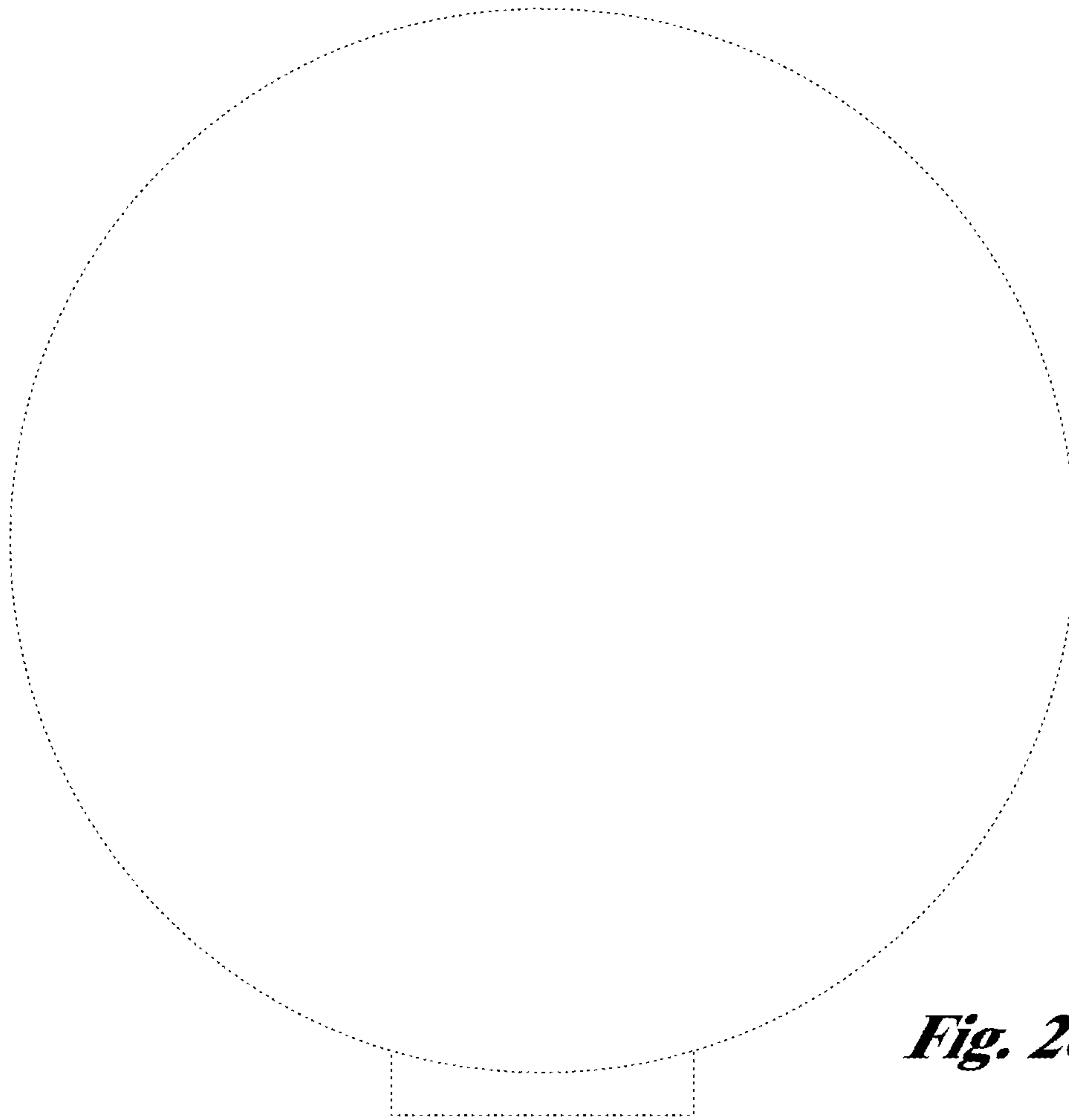


Fig. 20

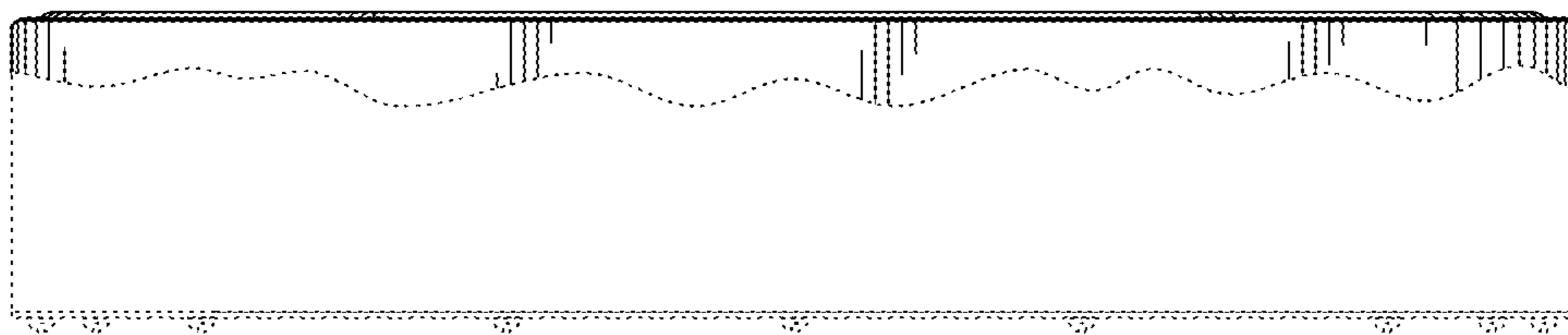


Fig. 21

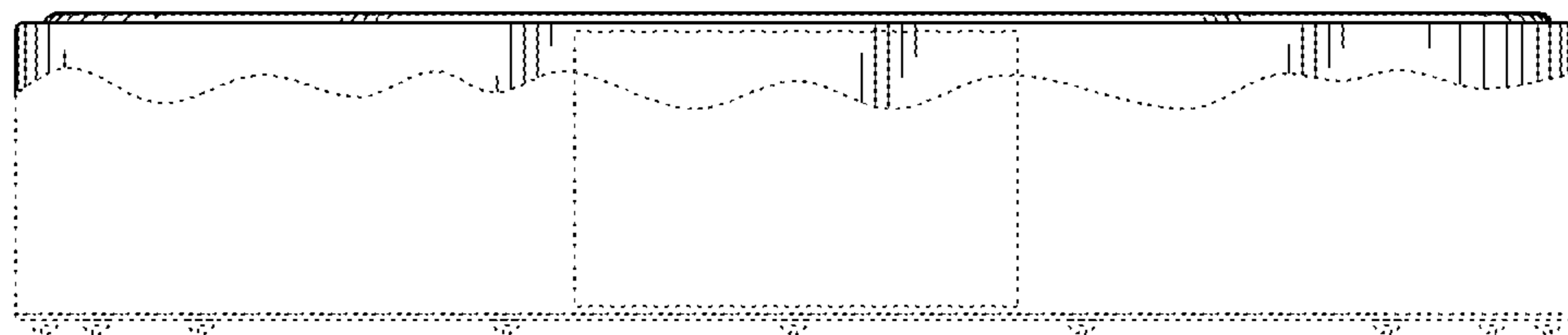


Fig. 22

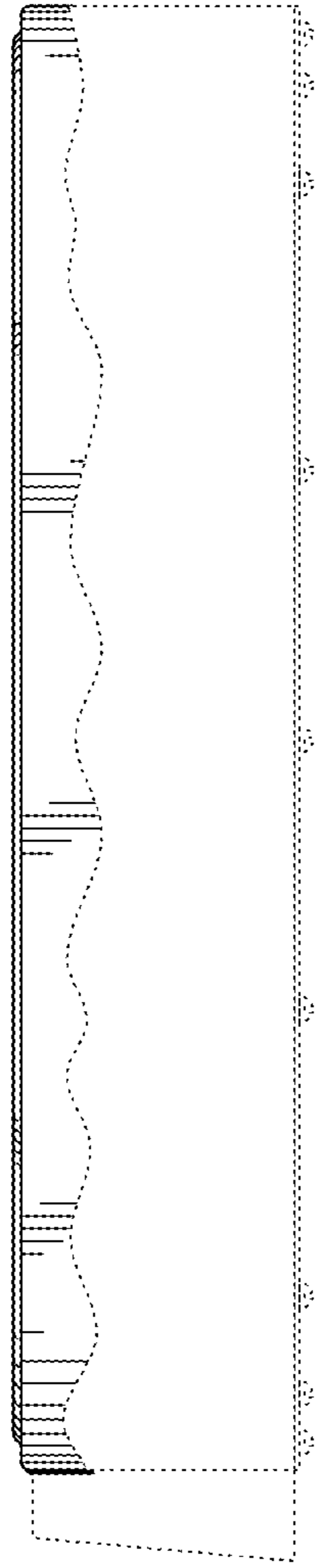


Fig. 23

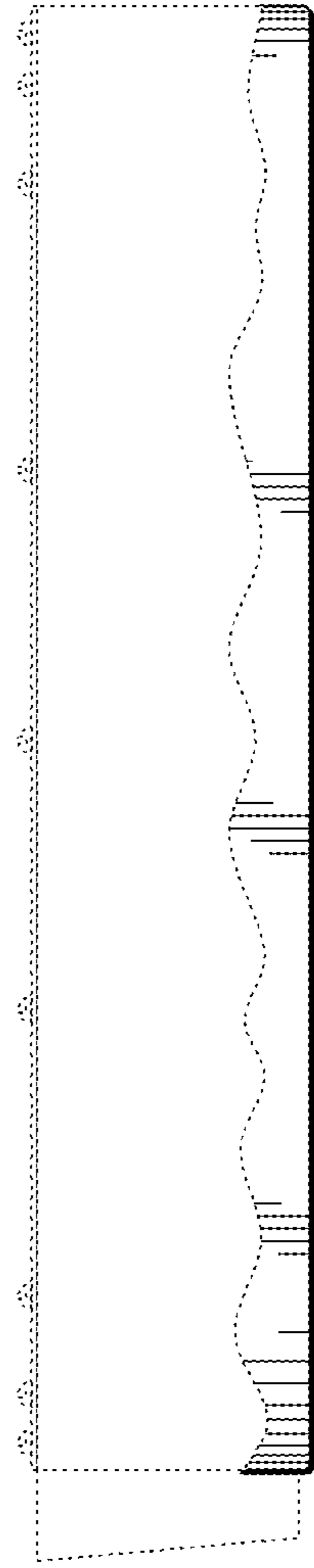


Fig. 24

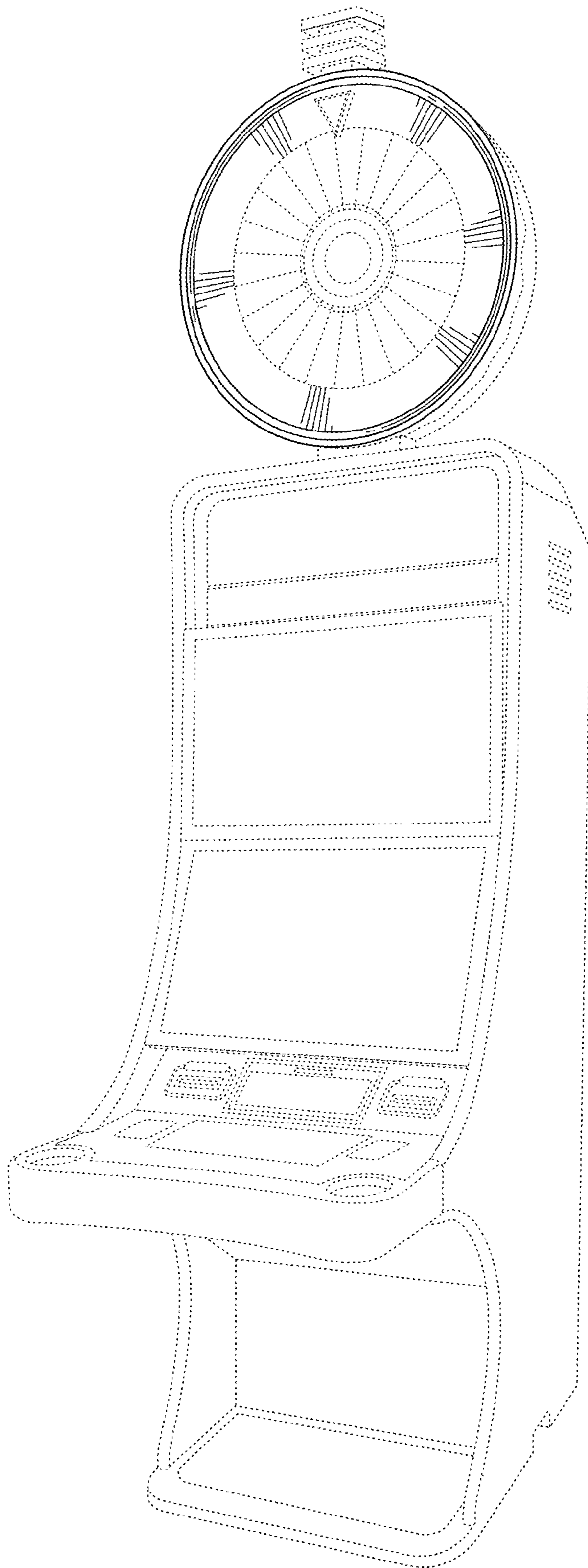


Fig. 25

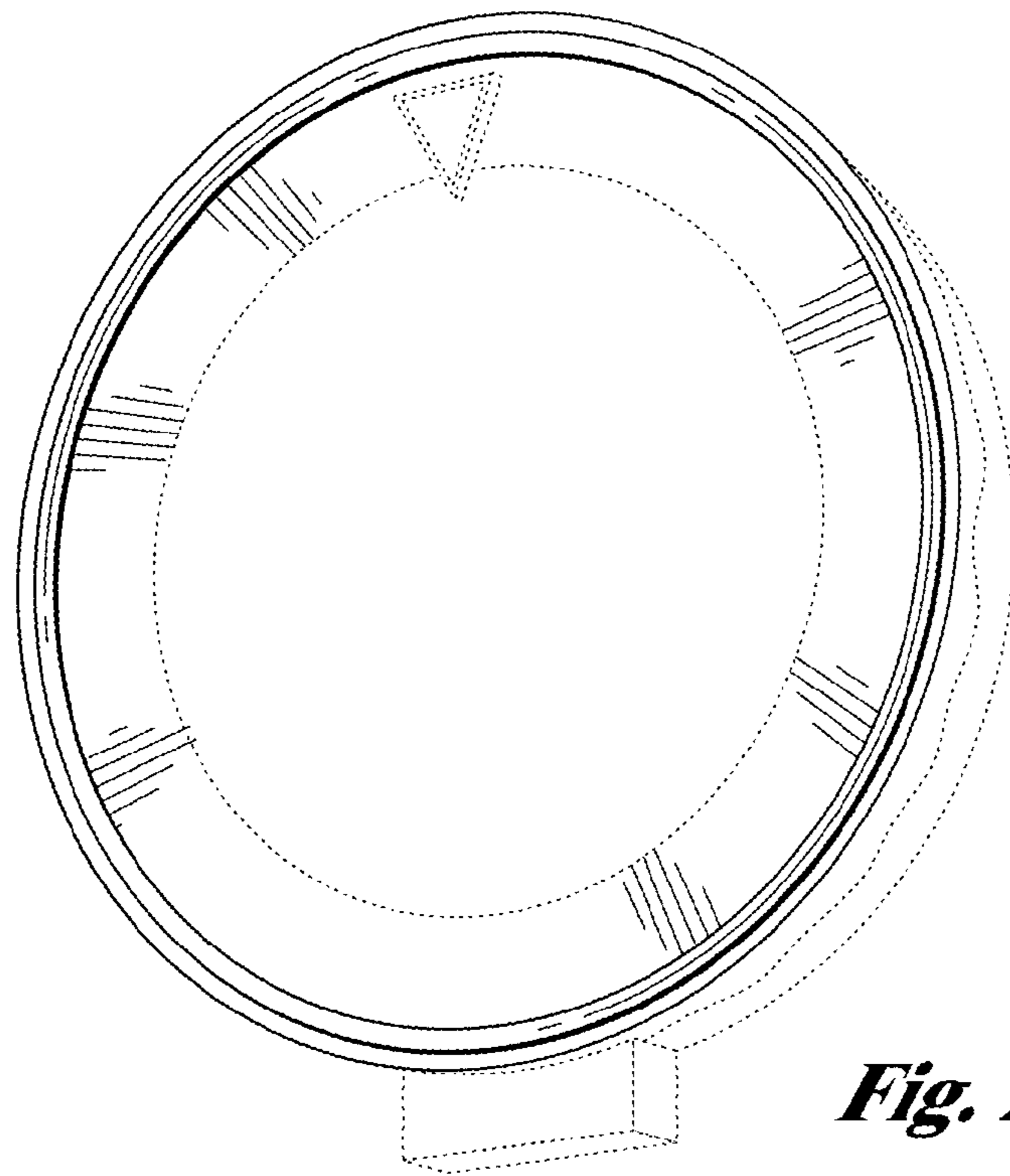


Fig. 26

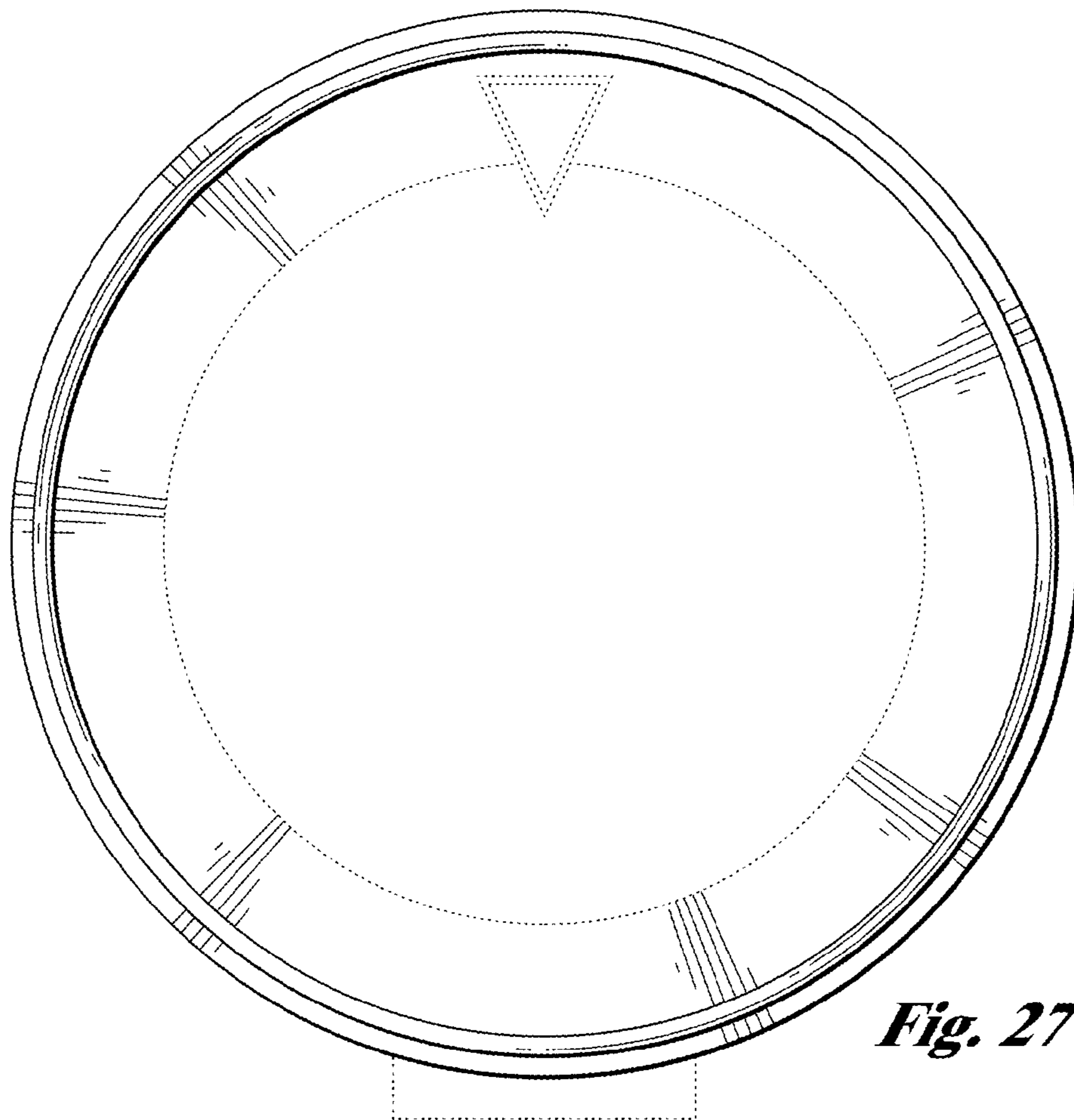


Fig. 27

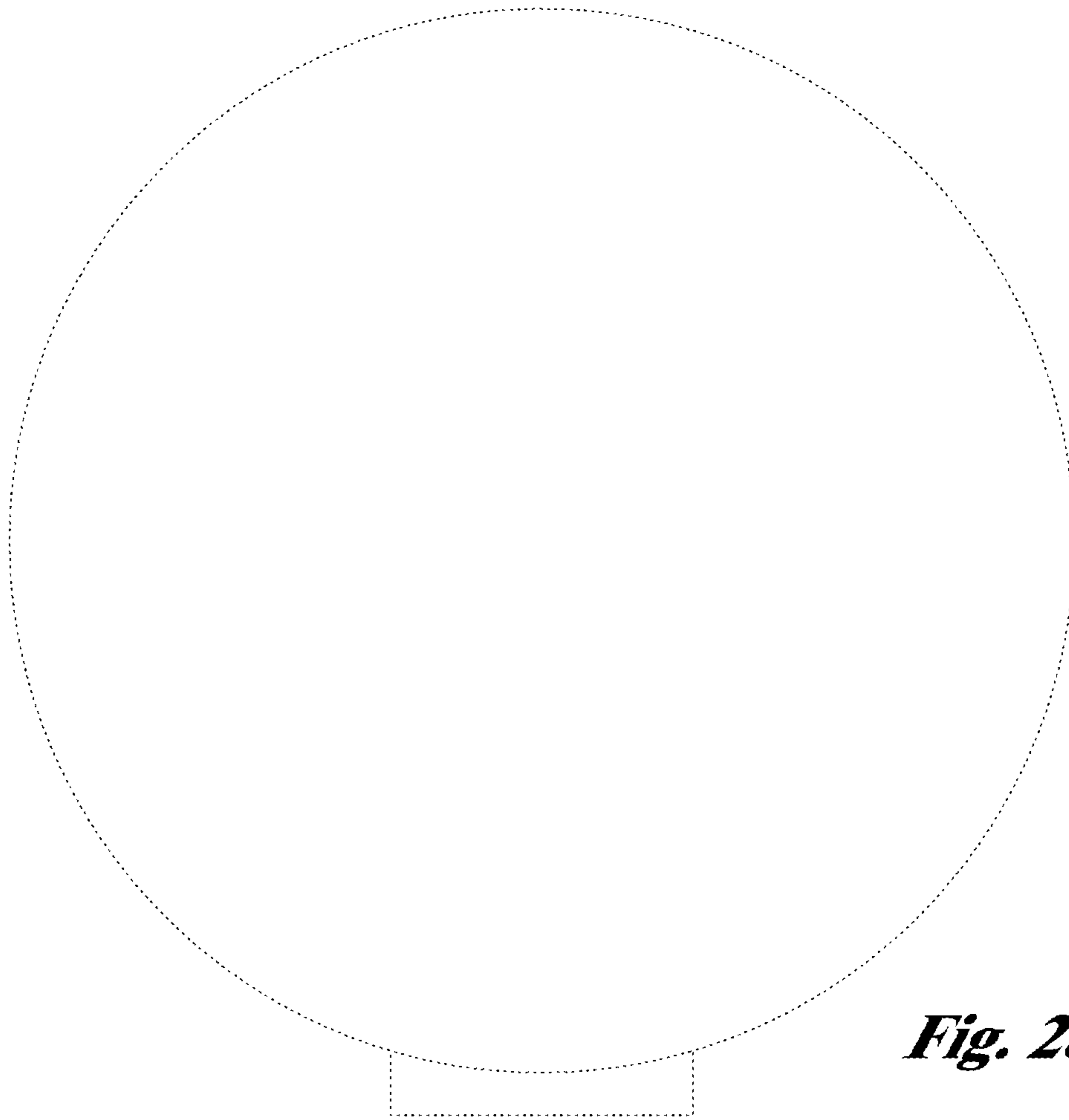


Fig. 28

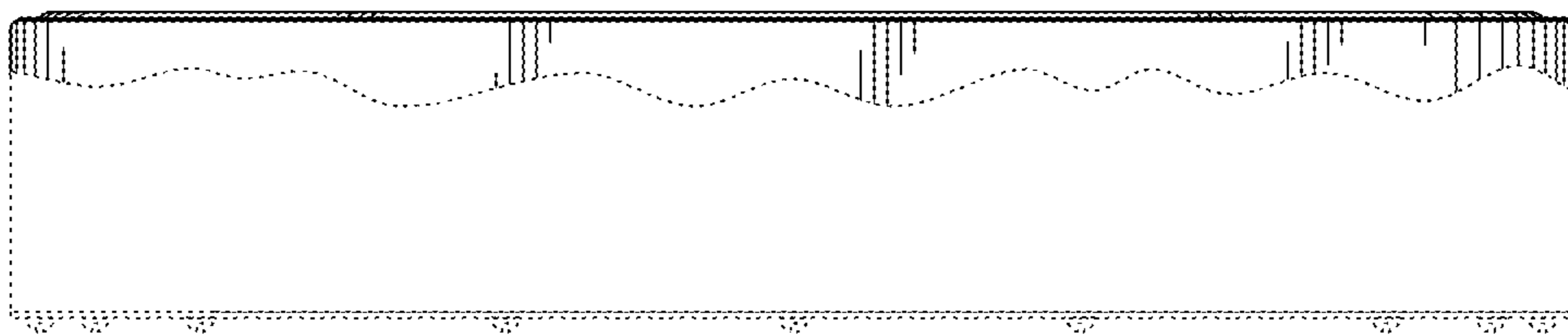


Fig. 29

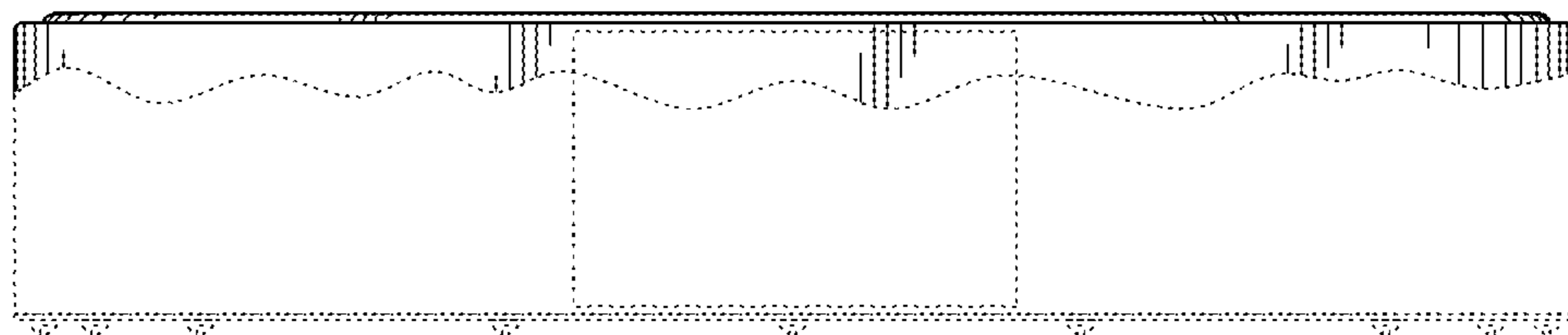


Fig. 30

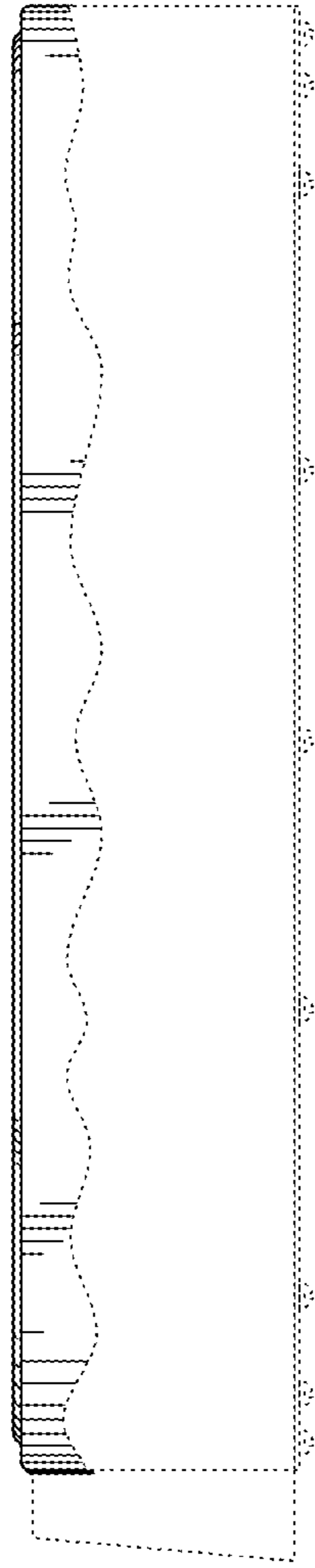


Fig. 31

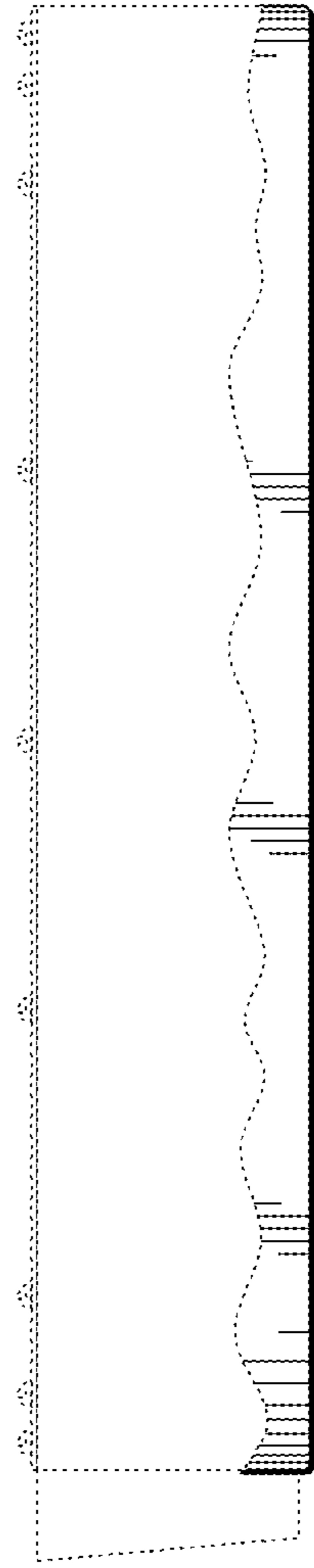


Fig. 32