



US00D927598S

(12) **United States Design Patent** (10) **Patent No.:** **US D927,598 S**
Hudgins (45) **Date of Patent:** **** Aug. 10, 2021**

(54) **PORTABLE GAME TARGET FROM ASSEMBLED PIECES**

(71) Applicant: **William Hudgins**, Osteen, FL (US)

(72) Inventor: **William Hudgins**, Osteen, FL (US)

(**) Term: **15 Years**

(21) Appl. No.: **29/694,904**

(22) Filed: **Jun. 14, 2019**

Related U.S. Application Data

(63) Continuation-in-part of application No. 15/946,983, filed on Apr. 6, 2018, now abandoned.

(51) **LOC (13) Cl.** **21-01**

(52) **U.S. Cl.**
USPC **D21/302**

(58) **Field of Classification Search**
USPC D21/302, 303, 304, 305, 317, 319, 385, D21/386, 387, 388, 389, 390, 487-506, D21/715, 718, 721; D6/300, 312, 314, D6/317, 324-328, 355, 369, 553; D8/325, 329, 350, 353, 381, 382, 383, D8/387, 391, 392, 393, 394, 395, 396; D19/32

CPC . A63B 67/066; A63B 63/08; A63B 2225/605; A63B 67/06; A63C 19/06; A63C 19/00; A63C 19/10

See application file for complete search history.

(56) **References Cited**

U.S. PATENT DOCUMENTS

- 4,190,928 A * 3/1980 Hudgins B25B 25/00 123/185.3
- D295,422 S * 4/1988 Erickson D19/32
- D358,618 S * 5/1995 Ryaa D21/493
- D414,207 S * 9/1999 Wagner D19/65

- D432,403 S * 10/2000 Svensson D8/394
- D458,332 S * 6/2002 Thomas D21/718
- D504,162 S * 4/2005 Andersen D21/404
- D517,899 S * 3/2006 Pan D8/353
- D635,197 S * 3/2011 Pryor D21/303
- D641,615 S * 7/2011 Lin D8/394
- 8,608,167 B2 * 12/2013 Raymond A63B 71/0036 273/348
- D706,354 S * 6/2014 Montenare D21/303
- D728,044 S * 4/2015 Boatwright D21/694
- D745,900 S * 12/2015 Novak D15/66

(Continued)

OTHER PUBLICATIONS

“Fish mouth joints in wood rods that can be disassembled”, posted Nov. 23, 2020 [Online], [Retrieved on Feb. 9, 2021, retrieved from internet: <https://www.youtube.com/watch?v=bFAdkf4ZTfs>.*

(Continued)

Primary Examiner — Sandra Snapp
Assistant Examiner — Mehri Bajoul
(74) *Attorney, Agent, or Firm* — William M. Hobby

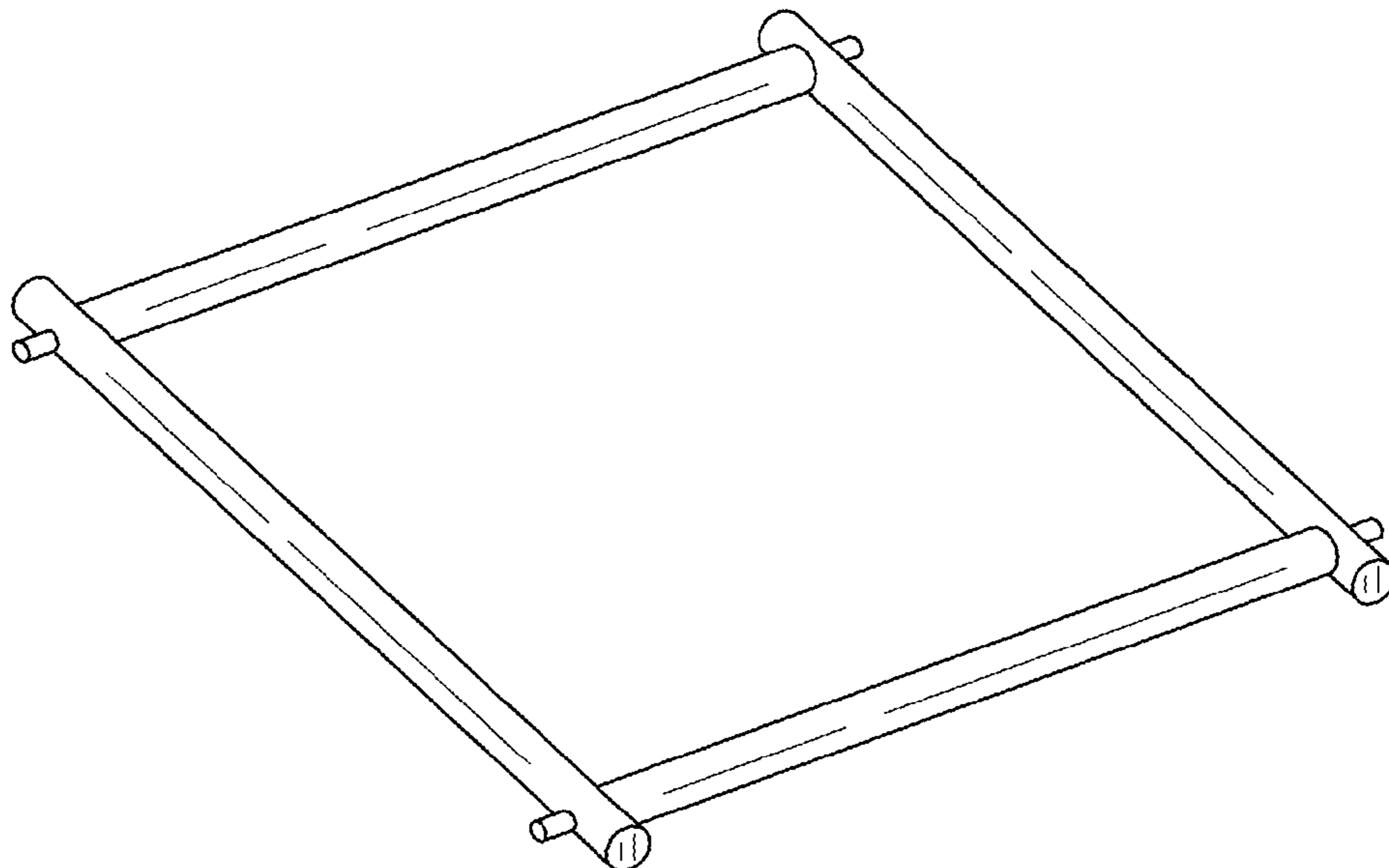
(57) **CLAIM**

The ornamental design for a portable game target from assembled pieces, as shown and described.

DESCRIPTION

FIG. 1 is a top side perspective view of a portable game target from assembled pieces showing my new design; FIG. 2 is a bottom plan view thereof; FIG. 3 is a front end elevation thereof, the front and rear elevations being mirror images of each other; FIG. 4 is a left side elevation thereof, the left and right elevations being mirror images of each other; FIG. 5 is an exploded perspective view thereof; and, FIG. 6 is a top view of the disassembled pieces of my new target.

1 Claim, 2 Drawing Sheets



(56)

References Cited

U.S. PATENT DOCUMENTS

D785,713	S *	5/2017	Salome	D21/302
D858,655	S *	9/2019	Bernal	D21/570
D868,917	S *	12/2019	Engler	D21/790
D871,529	S *	12/2019	Boring	D21/700
D877,256	S *	3/2020	Engler	D21/303
D880,596	S *	4/2020	Engler	D21/305
D896,317	S *	9/2020	Bernal	D21/387
D897,137	S *	9/2020	Schluentz	D6/681.2
D903,770	S *	12/2020	Chia	D21/387
2003/0236139	A1 *	12/2003	Jensen	A63B 69/36 473/434
2012/0043723	A1 *	2/2012	Rakes	A63B 63/00 273/407
2016/0023095	A1 *	1/2016	Nally	A63F 7/3055 273/343
2017/0138586	A1 *	5/2017	Finch	F21V 21/088
2018/0056155	A1 *	3/2018	McAuley	A63B 69/3623
2018/0179710	A1 *	6/2018	Grobinski	A63B 69/0022
2019/0308082	A1 *	10/2019	Hudgins	A63B 67/066

OTHER PUBLICATIONS

“Spoke cutter tools to make pointed dowel wood joint” posted dated unavailable [Online], [Retrieved on Feb. 9, 2021, retrieved from internet: <https://homemade-furniture.com/woodworking-joints/dowel-pointer/>.*

* cited by examiner

FIG. 1

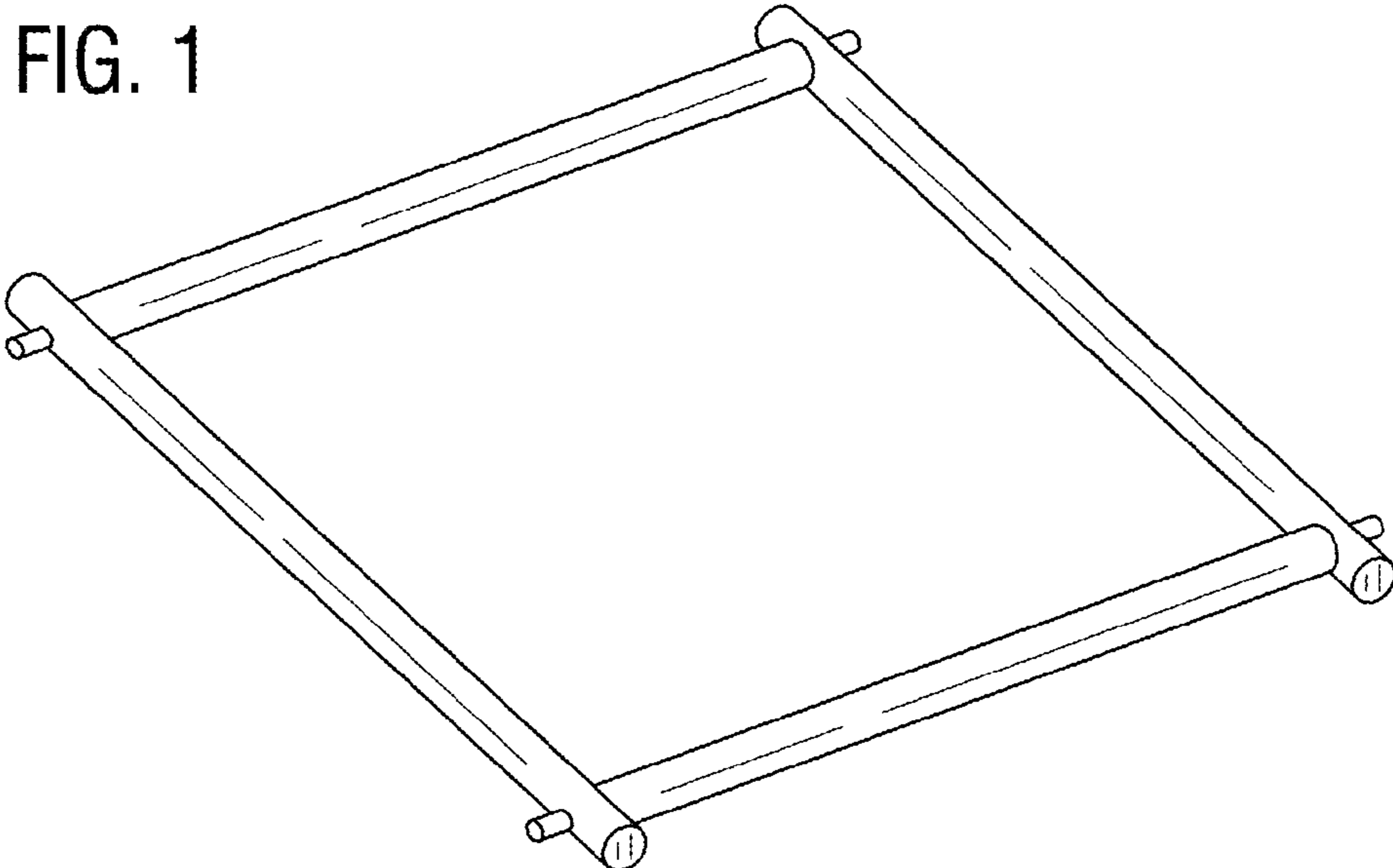


FIG. 2

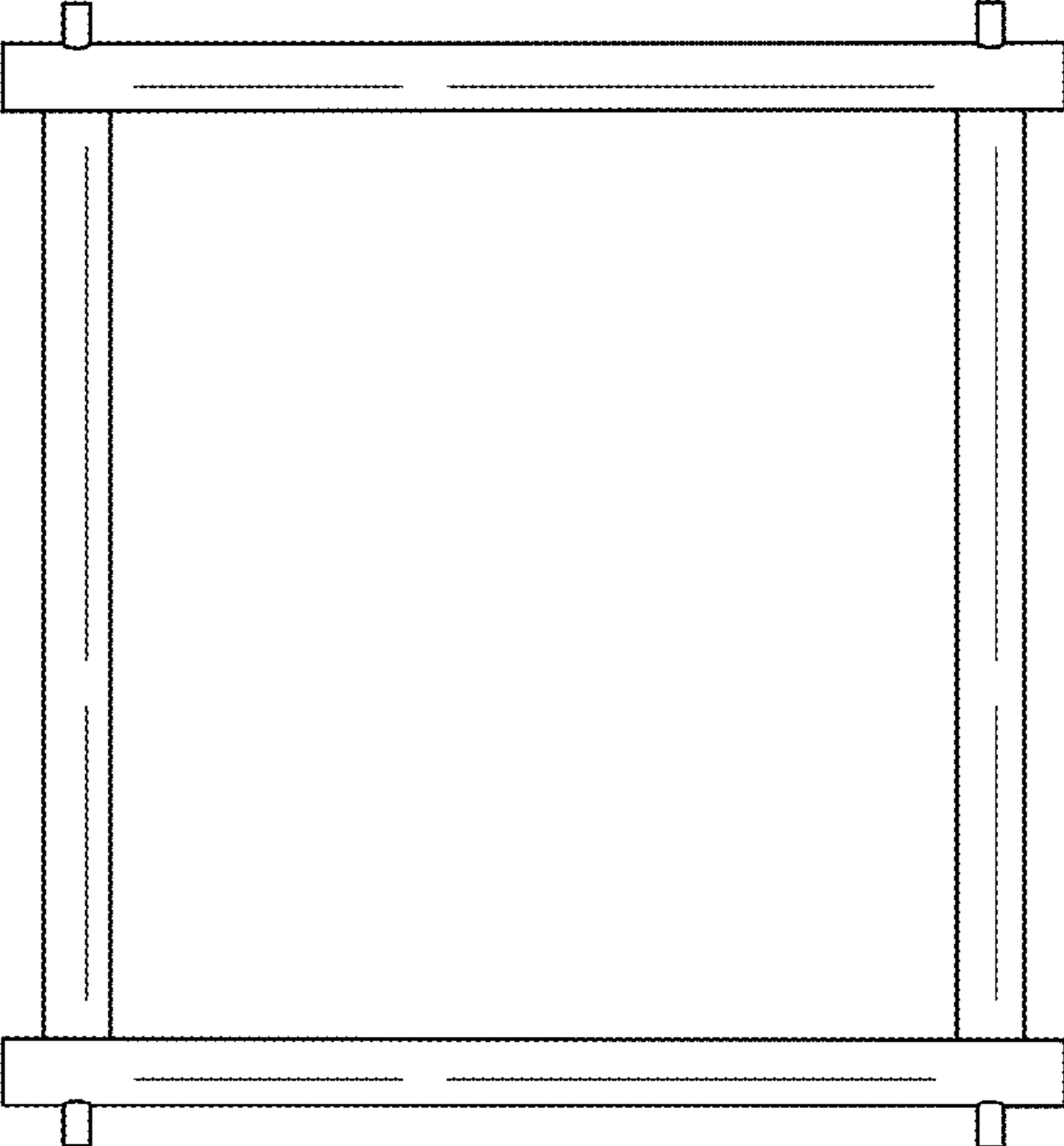


FIG. 3



FIG. 4

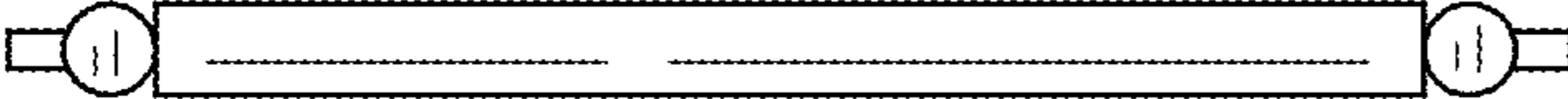


FIG. 5

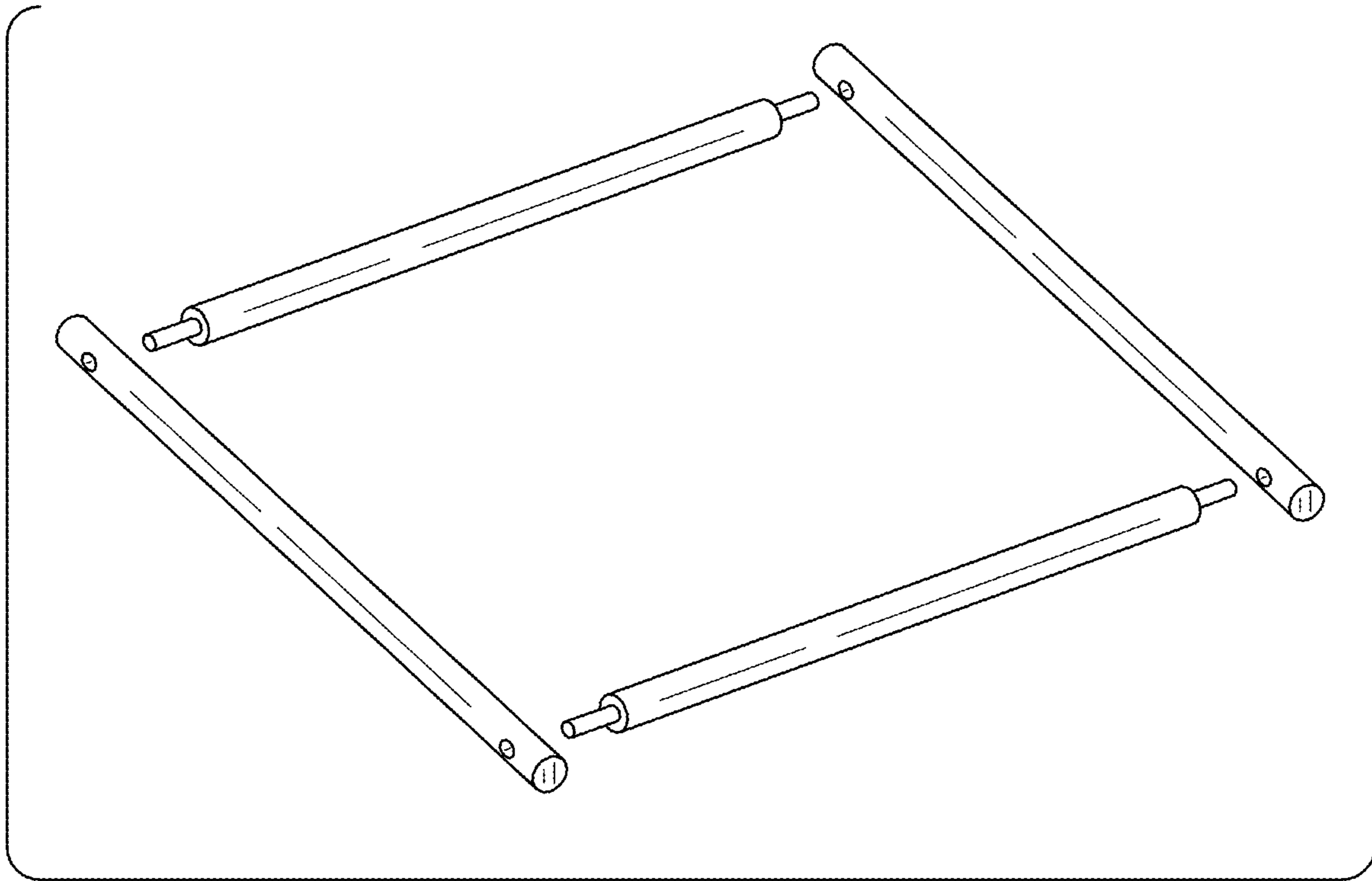


FIG. 6

