



US00D927596S

(12) **United States Design Patent** (10) **Patent No.:** **US D927,596 S**
Monarque (45) **Date of Patent:** **** Aug. 10, 2021**

(54) **SHELF TAG**

(71) Applicant: **Michael Monarque**, Corona, CA (US)

(72) Inventor: **Michael Monarque**, Corona, CA (US)

(**) Term: **15 Years**

(21) Appl. No.: **29/703,594**

(22) Filed: **Aug. 28, 2019**

(51) **LOC (13) Cl.** **19-08**

(52) **U.S. Cl.**
USPC **D20/22**

(58) **Field of Classification Search**
USPC D7/387, 624.2; D9/550, 563; D10/46,
D10/47, 52, 104.1, 104.2; D14/490, 491;
D19/1-12; D20/10, 11, 18, 22-29, 42,
D20/49
CPC G09F 1/00; G09F 1/04; G09F 3/00; G09F
3/005; G09F 3/0288; G09F 3/0289; G09F
3/02; G09F 3/04; G09F 3/06; G09F 3/08;
G09F 3/10; G06K 19/0776

See application file for complete search history.

(56) **References Cited**

U.S. PATENT DOCUMENTS

D15,469 S *	10/1884	Housh	D19/6
D39,926 S *	4/1909	Weigang	D20/24
1,926,553 A *	9/1933	Morse	G09F 3/10 40/638
2,360,916 A *	10/1944	Von Trott	B42D 15/04 446/147
2,480,416 A *	8/1949	Modes	B65D 85/544 206/312
D358,429 S *	5/1995	Ely	D20/27
5,669,165 A *	9/1997	Santorsola	G09F 11/23 116/316
D510,601 S *	10/2005	Best	D20/27
D622,774 S *	8/2010	Seum	D20/22

D635,194 S *	3/2011	Katz	D20/27
D637,234 S *	5/2011	Reiss	D20/22
D656,012 S *	3/2012	Leu	D9/434
D666,245 S *	8/2012	Birdwell	D20/27
D674,842 S *	1/2013	Birdwell	D20/27
D675,261 S *	1/2013	Birdwell	D20/27
D701,915 S *	4/2014	O'Beime	D20/27
D722,115 S *	2/2015	Wajs, Jr.	D20/23
D749,678 S *	2/2016	Wajs, Jr.	D20/23

* cited by examiner

Primary Examiner — Mary Ann Calabrese

Assistant Examiner — Catherine Ho

(74) *Attorney, Agent, or Firm* — Grants Law Firm; Ahan Grant

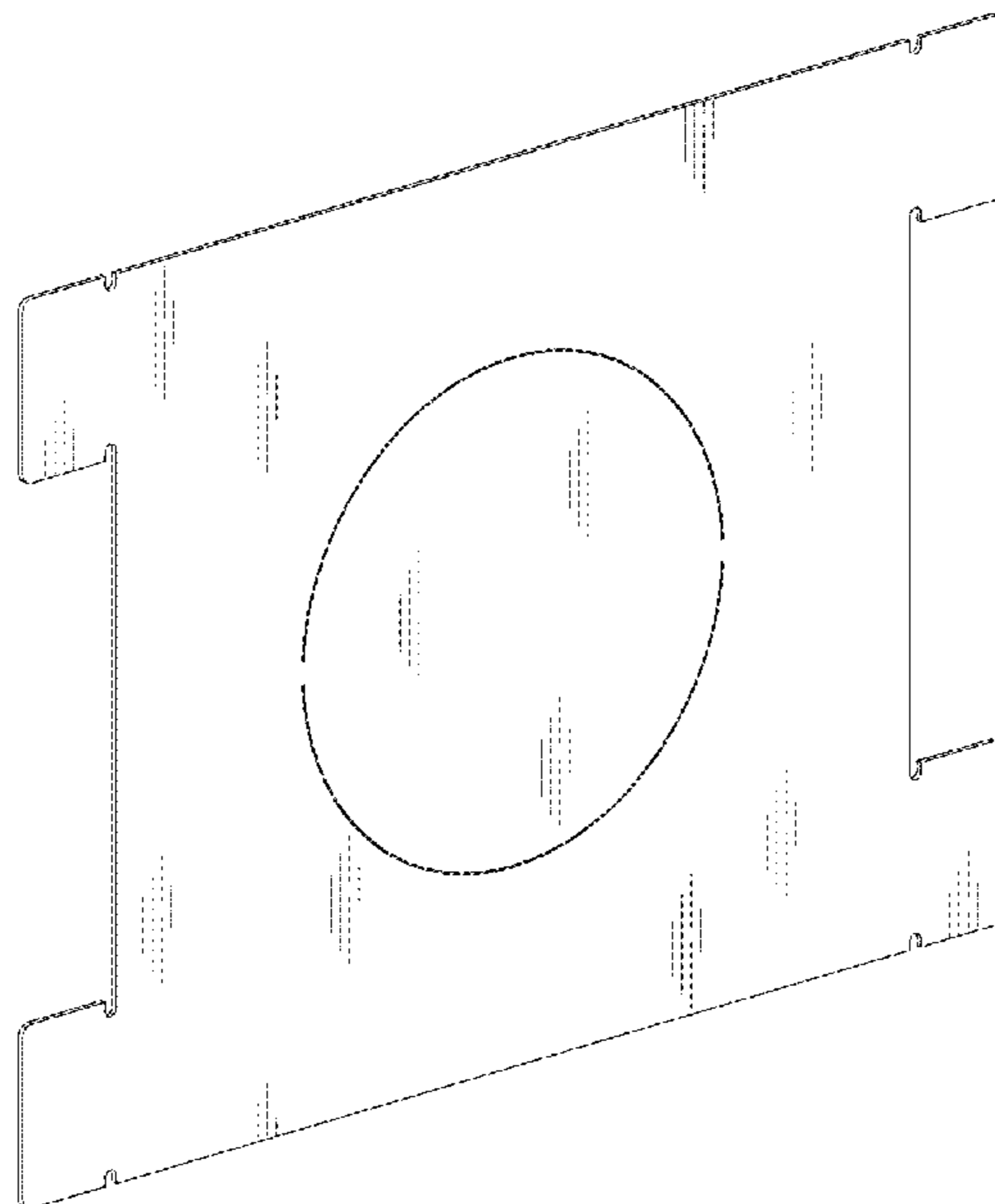
(57) **CLAIM**

I claim the ornamental design for a shelf tag, as shown and as described.

DESCRIPTION

FIG. 1 is a perspective view of the shelf tag, showing my new design;
FIG. 2 is the front view of the thereof;
FIG. 3 is a back view of the thereof;
FIG. 4 is a side view of the thereof;
FIG. 5 is the other side view of the thereof;
FIG. 6 is a top view of the thereof;
FIG. 7 is bottom view of the thereof; and,
FIG. 8 is a perspective view of the shelf tag shown in an environment of use.
The store shelf and goods are shown in broken lines for illustrative purposes only to show the environment and do not form part of the claimed design.

1 Claim, 4 Drawing Sheets



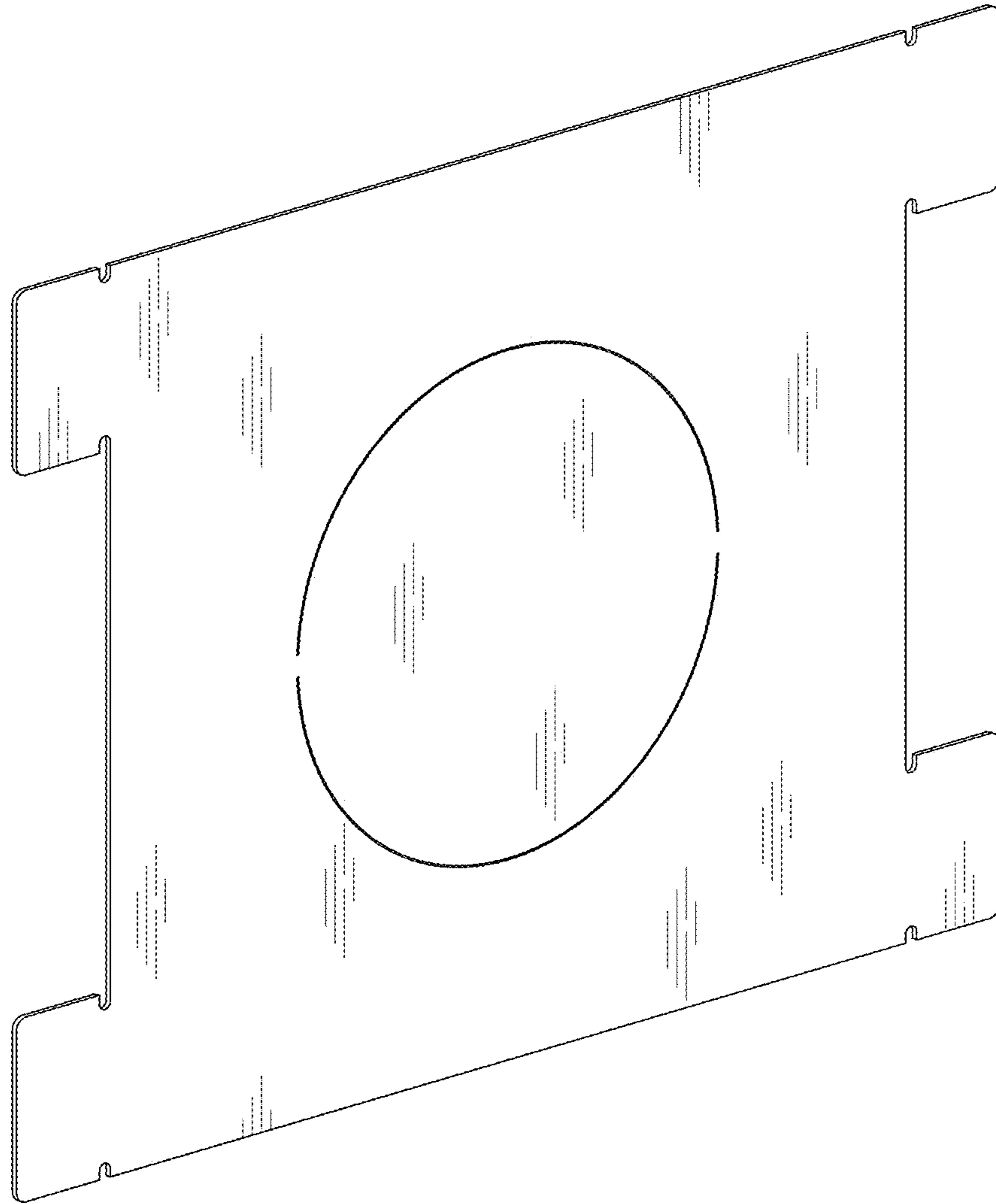


Fig. 1

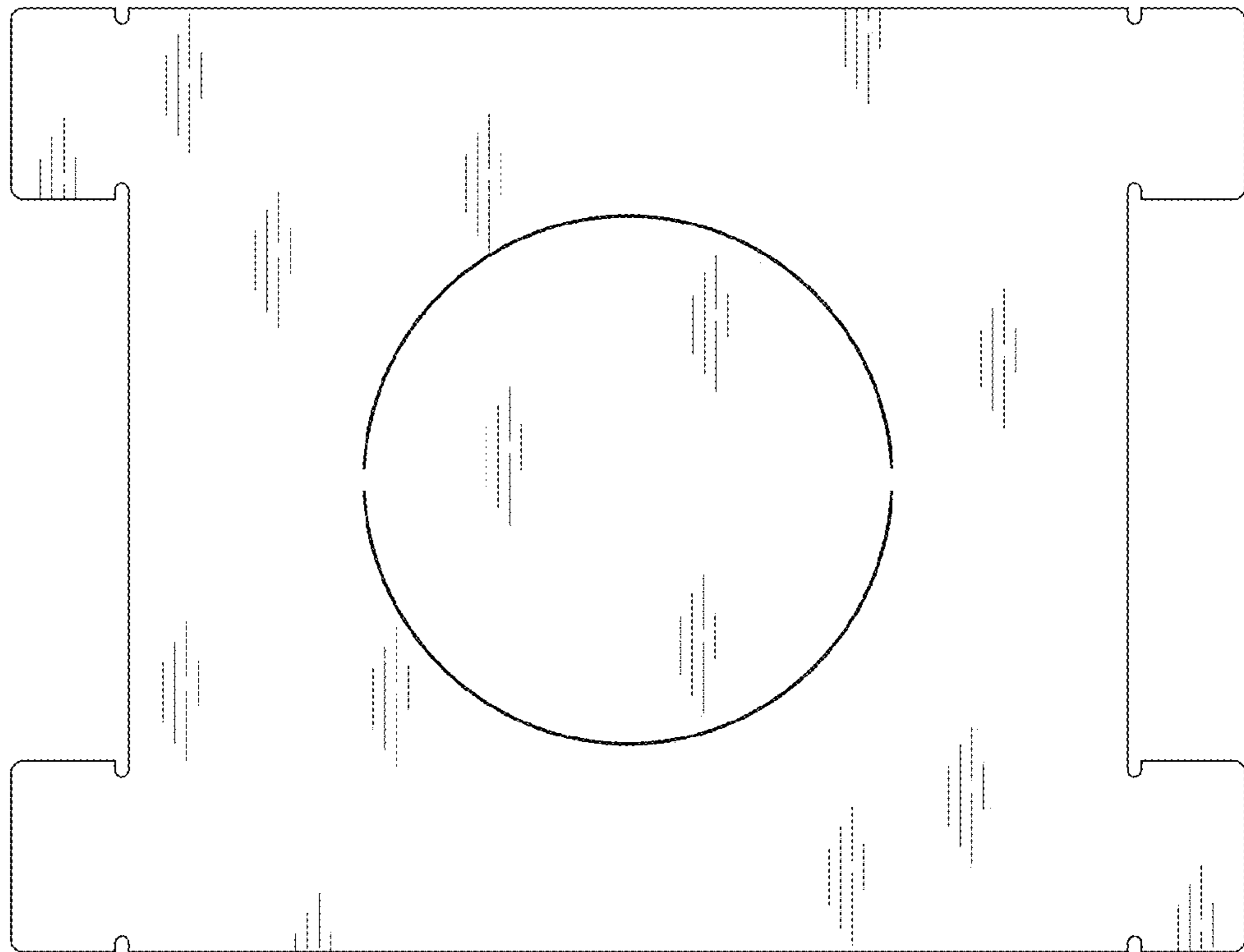


Fig. 2

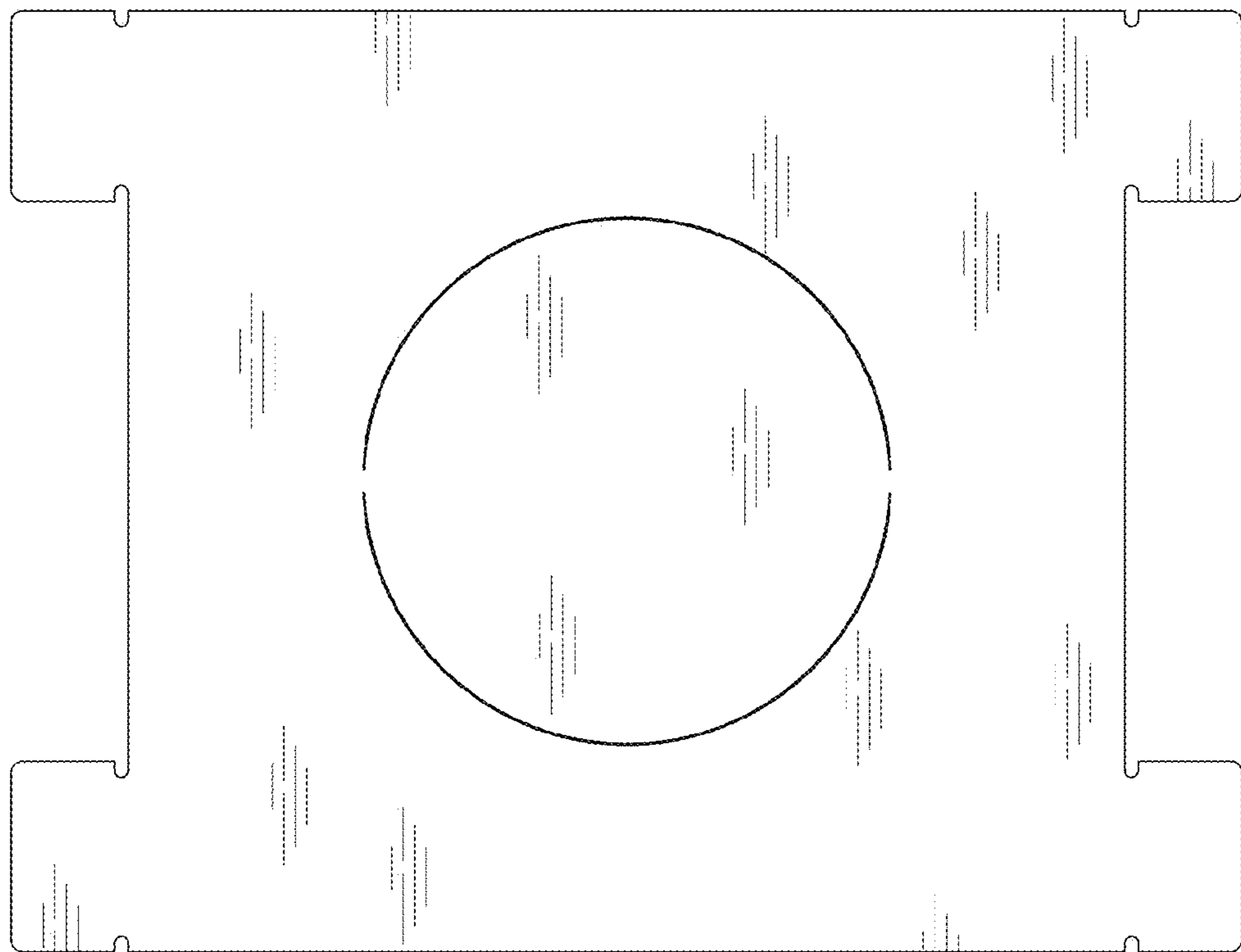


Fig. 3



Fig. 4



Fig. 5

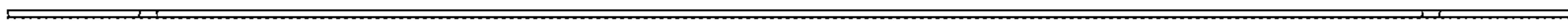


Fig. 6



Fig. 7

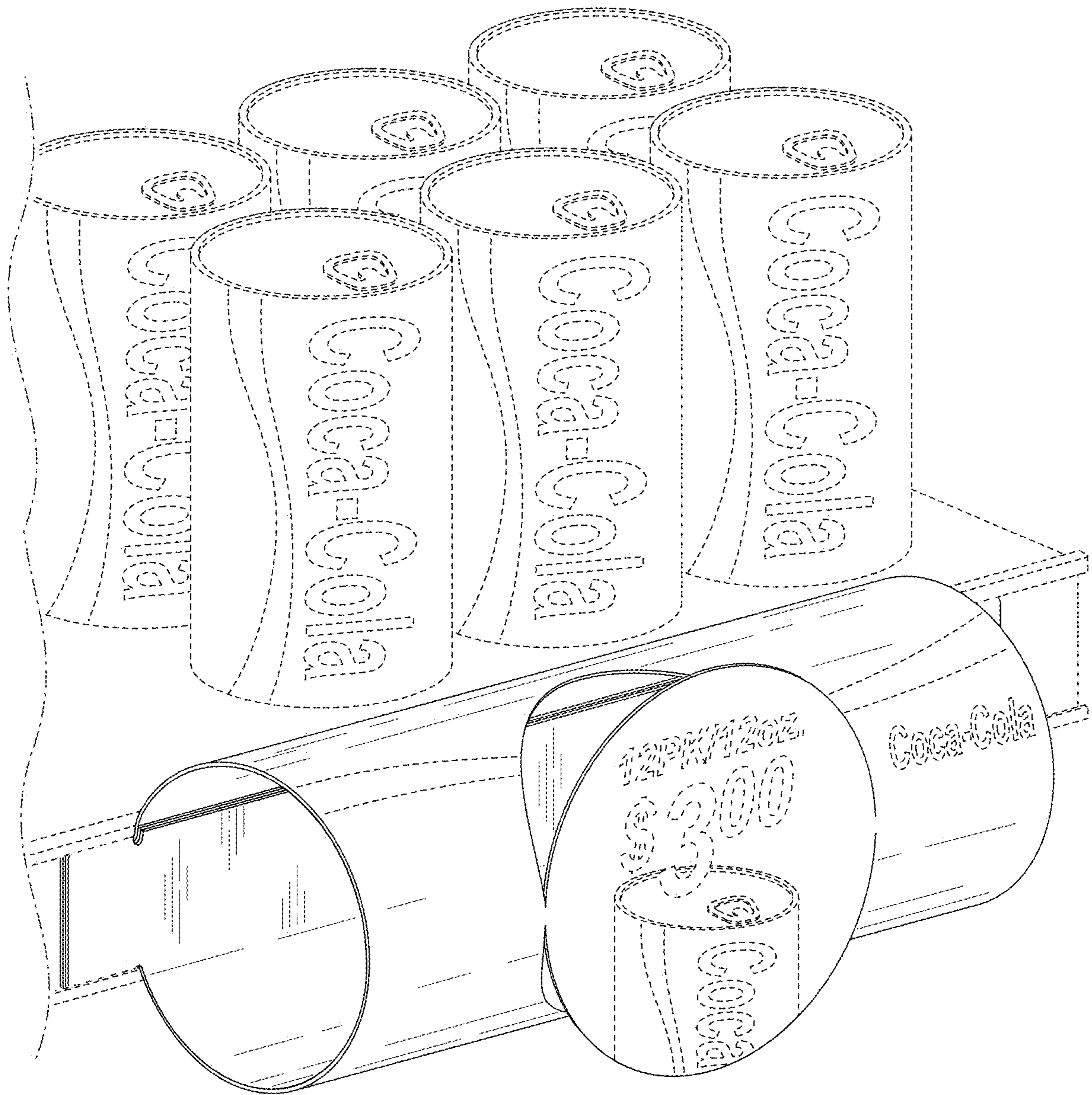


Fig. 8