



US00D927593S

(12) **United States Design Patent**  
**Keator et al.**

(10) **Patent No.:** **US D927,593 S**

(45) **Date of Patent:** **\*\* Aug. 10, 2021**

(54) **WRITING INSTRUMENT DISPLAY WHEEL**  
(71) Applicant: **Societe BIC**, Clichy (FR)  
(72) Inventors: **Christian H. Keator**, Milford, CT  
(US); **Steven M. Fisher**, Milford, CT  
(US); **Andrew B. Sholl**, New York, NY  
(US)

D290,853 S \* 7/1987 Appel ..... D19/85  
D298,264 S \* 10/1988 Wang ..... D19/85  
D304,280 S \* 10/1989 Leighton ..... D7/641  
D341,375 S \* 11/1993 Chin ..... D19/69  
9,010,823 B1 \* 4/2015 Murray ..... B25H 3/025  
294/143  
9,751,358 B2 \* 9/2017 Sferle ..... B43K 23/12  
D836,719 S \* 12/2018 Smith ..... D19/85

(73) Assignee: **Societe BIC**, Clichy (FR)

(\*\*) Term: **15 Years**

(21) Appl. No.: **29/699,114**

(22) Filed: **Jul. 23, 2019**

(51) **LOC (13) Cl.** ..... **19-06**

(52) **U.S. Cl.**  
USPC ..... **D19/85**

(58) **Field of Classification Search**  
USPC ..... D19/75, 77-85, 95, 135; D3/206, 301;  
D20/10, 21  
CPC ..... A45C 11/34; A45C 11/36; B43K 23/016;  
B43K 23/06; B43M 99/00; B43M 99/001;  
B43M 99/006; B43M 99/008  
See application file for complete search history.

(56) **References Cited**

**U.S. PATENT DOCUMENTS**

D13,693 S \* 3/1883 Childs ..... D20/21  
846,133 A \* 3/1907 McIntyre ..... A47F 5/112  
211/69.9  
D85,161 S \* 9/1931 Chamberlin ..... D20/21  
1,957,377 A \* 5/1934 Whittle ..... B43M 99/00  
206/488  
D129,398 S \* 9/1941 McGaw ..... D20/10  
D171,847 S \* 3/1954 Erbguth ..... D11/147  
3,055,510 A \* 9/1962 Coates ..... A47F 5/03  
211/164  
D201,657 S \* 7/1965 Lewis ..... D20/21

**OTHER PUBLICATIONS**

Pen Spin Wheel, BIC Gel-ocity Rainbow Pens Set, online on YouTube, Oct. 30, 2019.\*

\* cited by examiner

*Primary Examiner* — Elizabeth A. Albert

(74) *Attorney, Agent, or Firm* — The H.T. Than Law Group

(57) **CLAIM**

We claim the ornamental design for a writing instrument display wheel, as shown and described.

**DESCRIPTION**

FIG. 1 is a perspective view of an embodiment for a design for a writing instrument display wheel according to the present invention;

FIG. 2 is a front view thereof;

FIG. 3 is a back view thereof;

FIG. 4 is a left side view thereof;

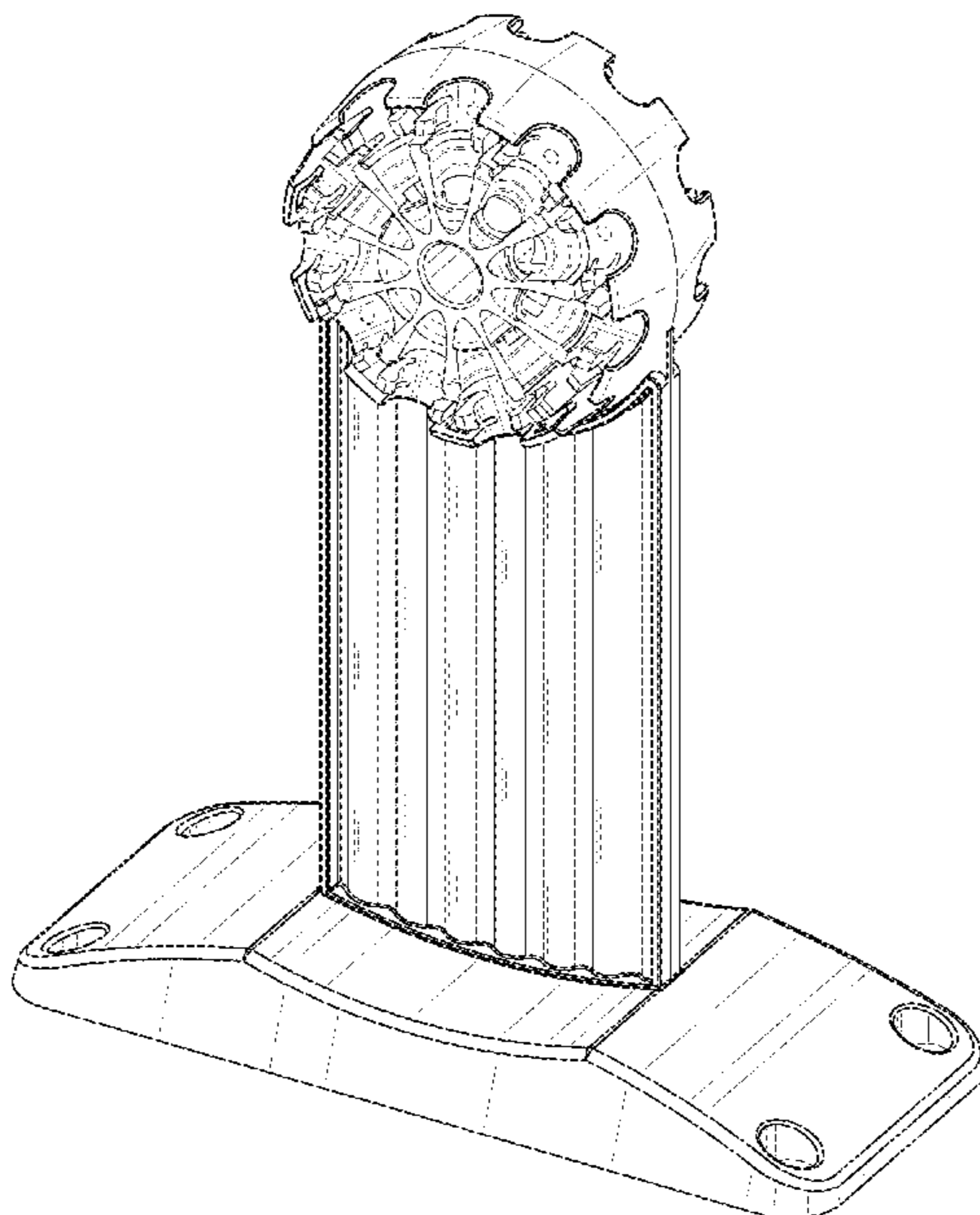
FIG. 5 is a right side view thereof;

FIG. 6 is a top view thereof; and,

FIG. 7 is a bottom view thereof.

The broken lines are included to show features that form no part of the claimed design.

**1 Claim, 6 Drawing Sheets**



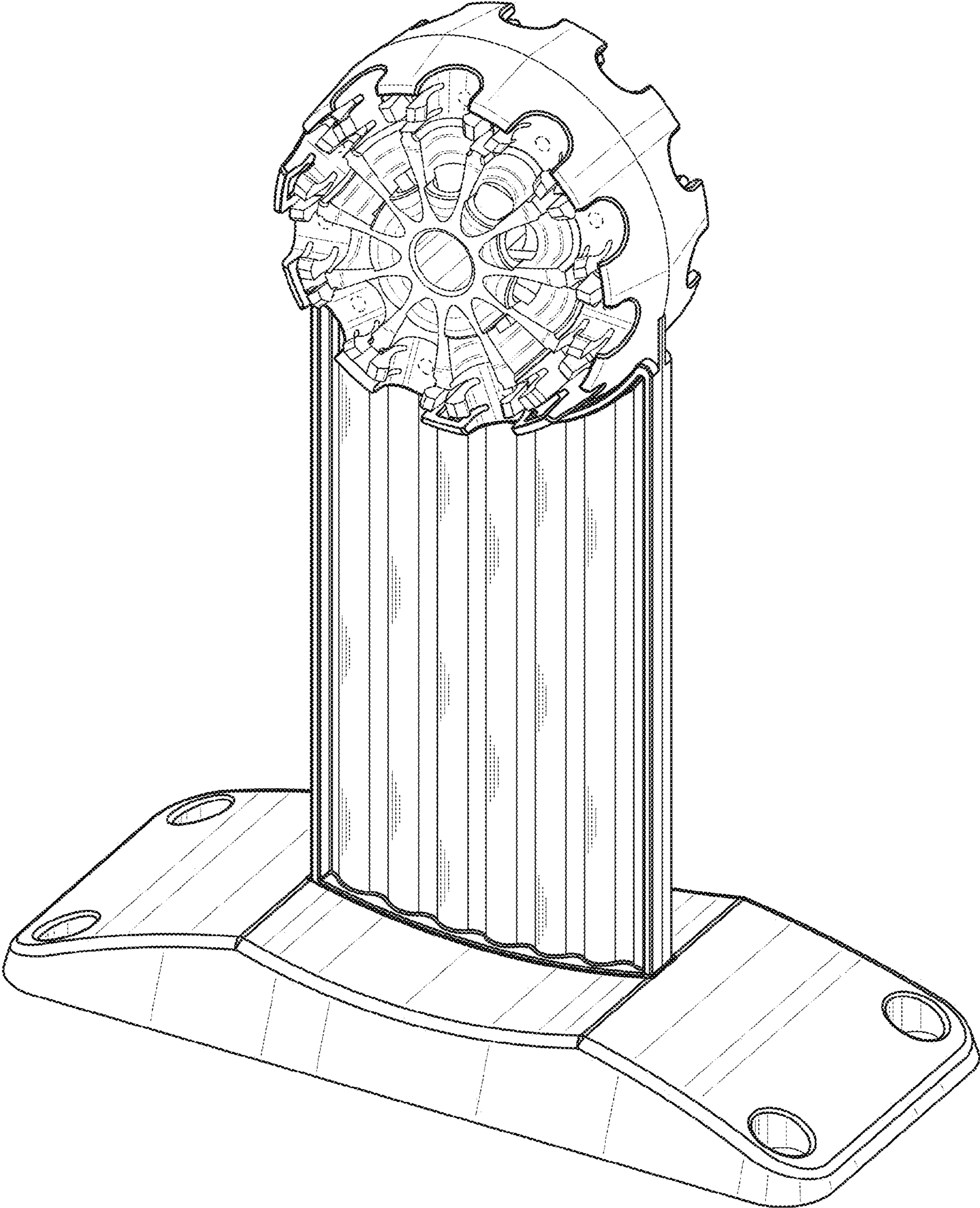
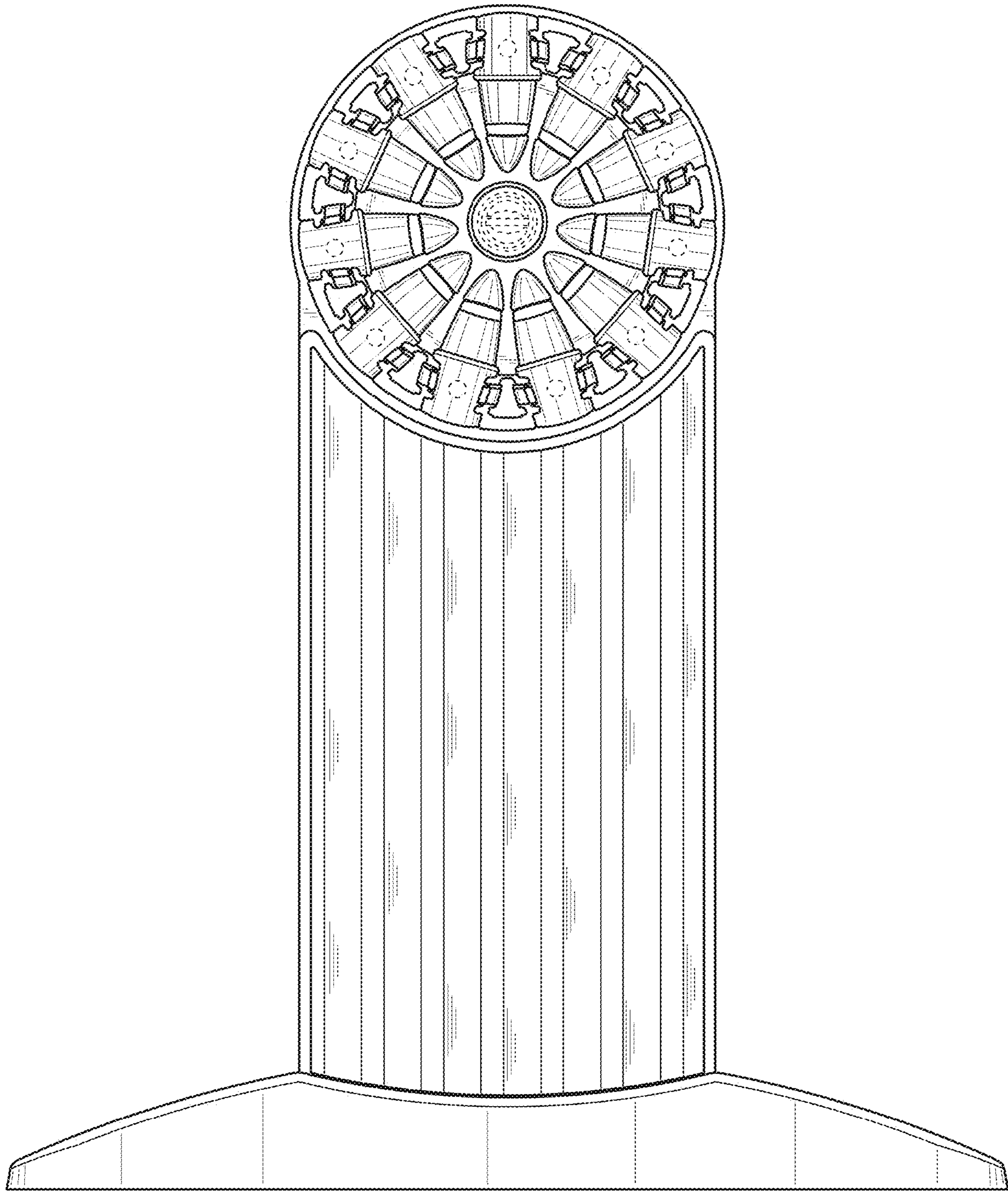
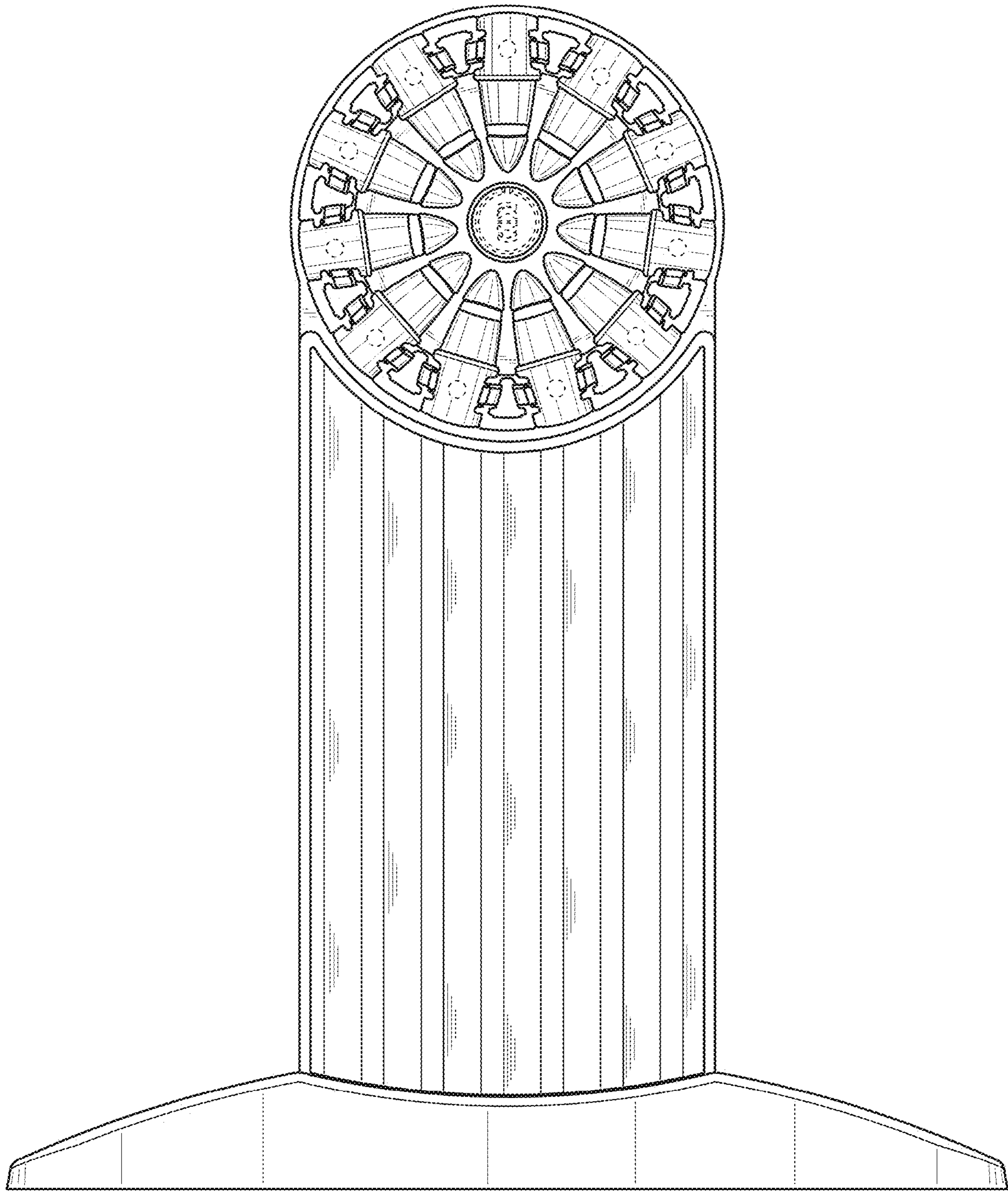


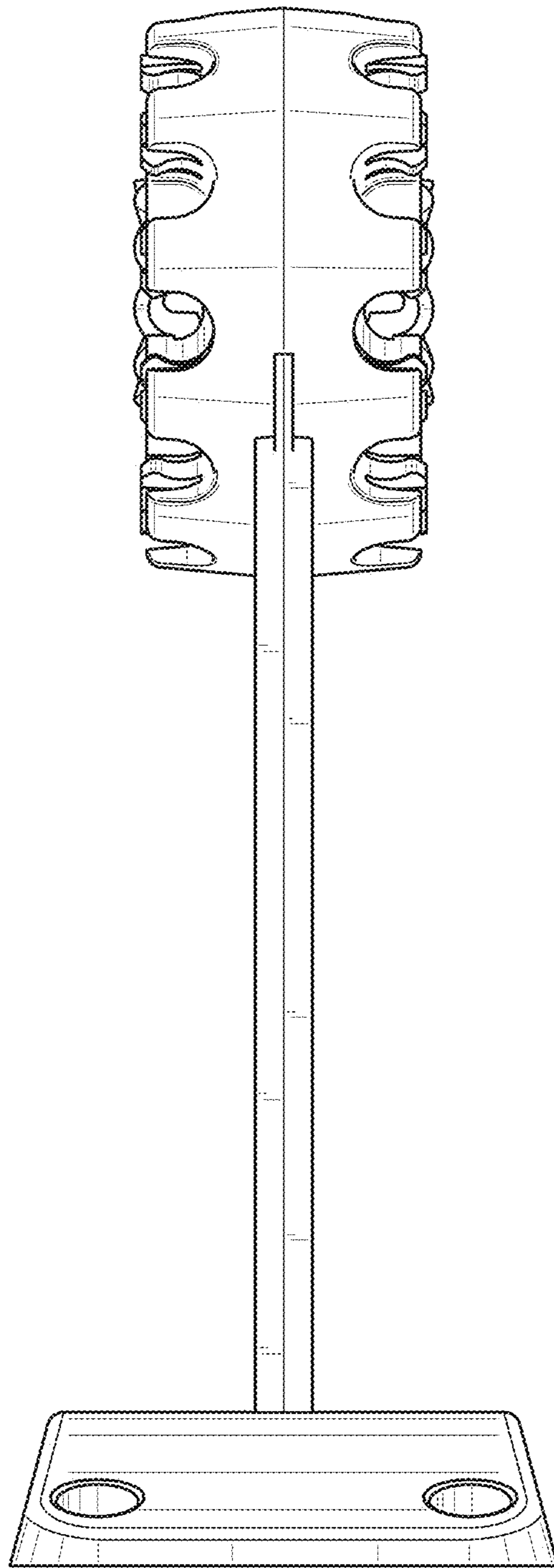
Fig. 1



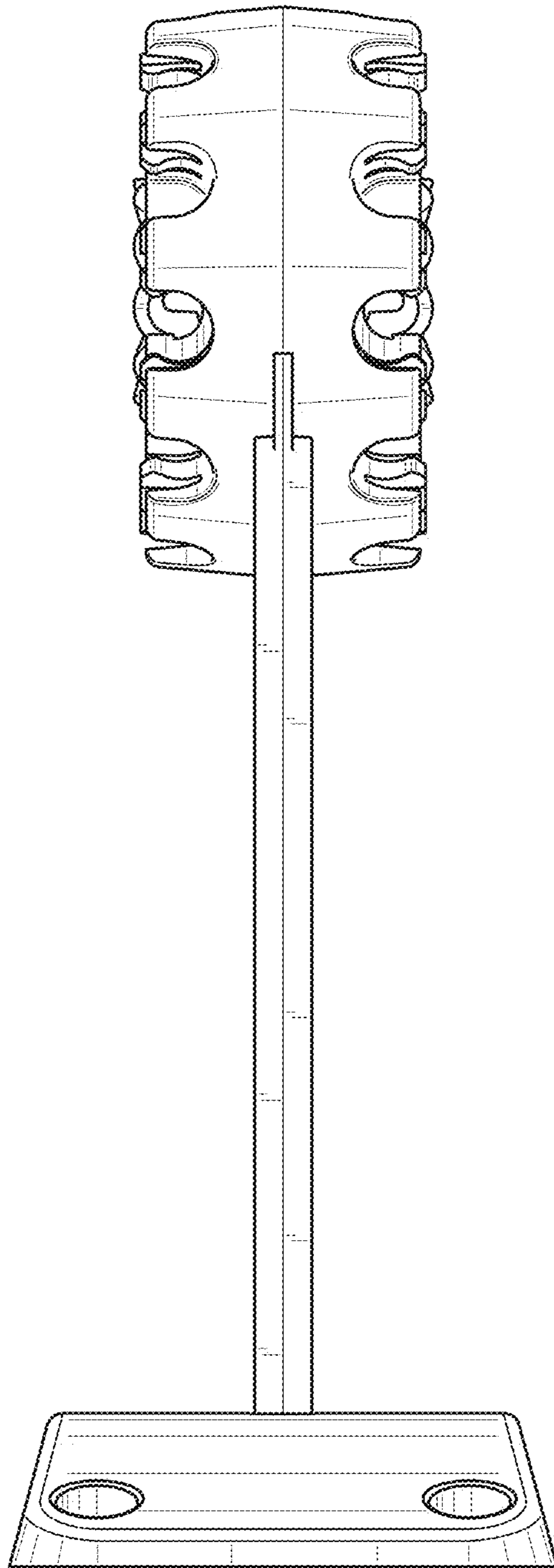
*Fig. 2*



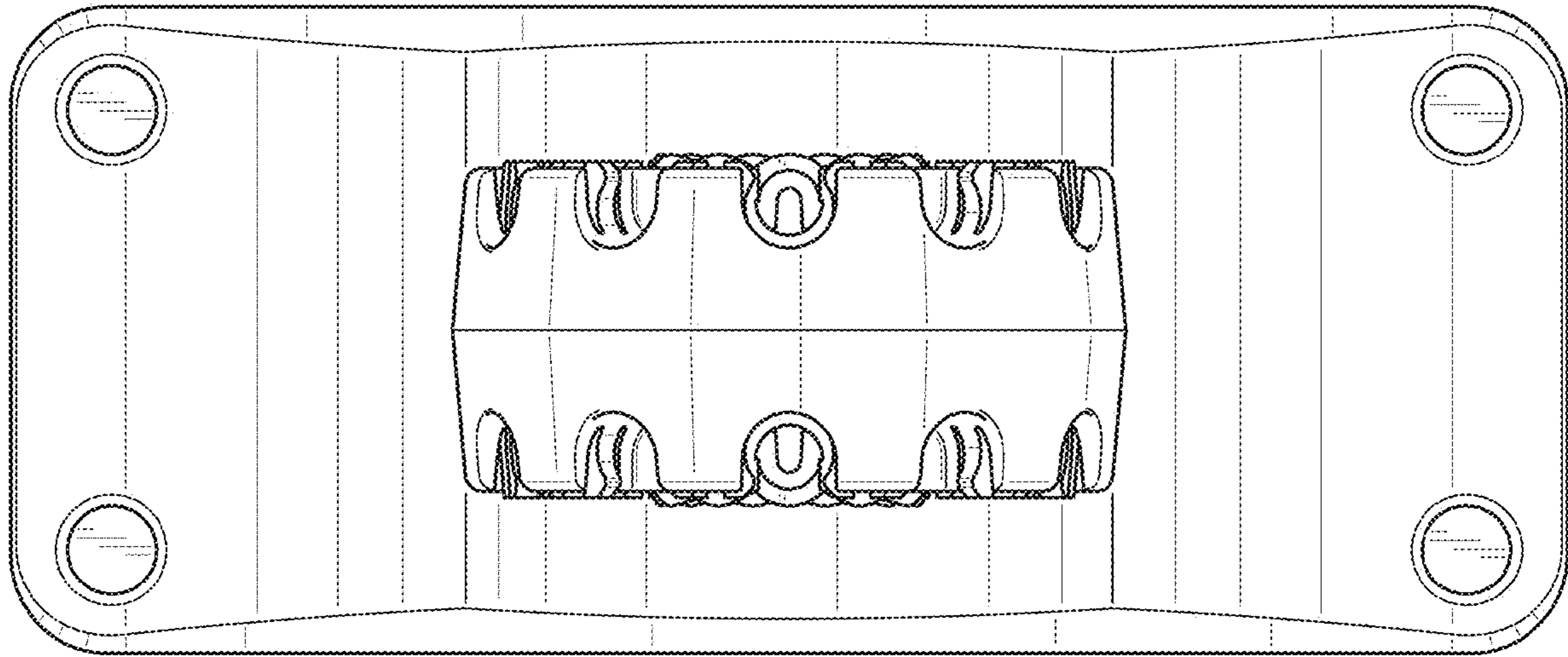
*Fig. 3*



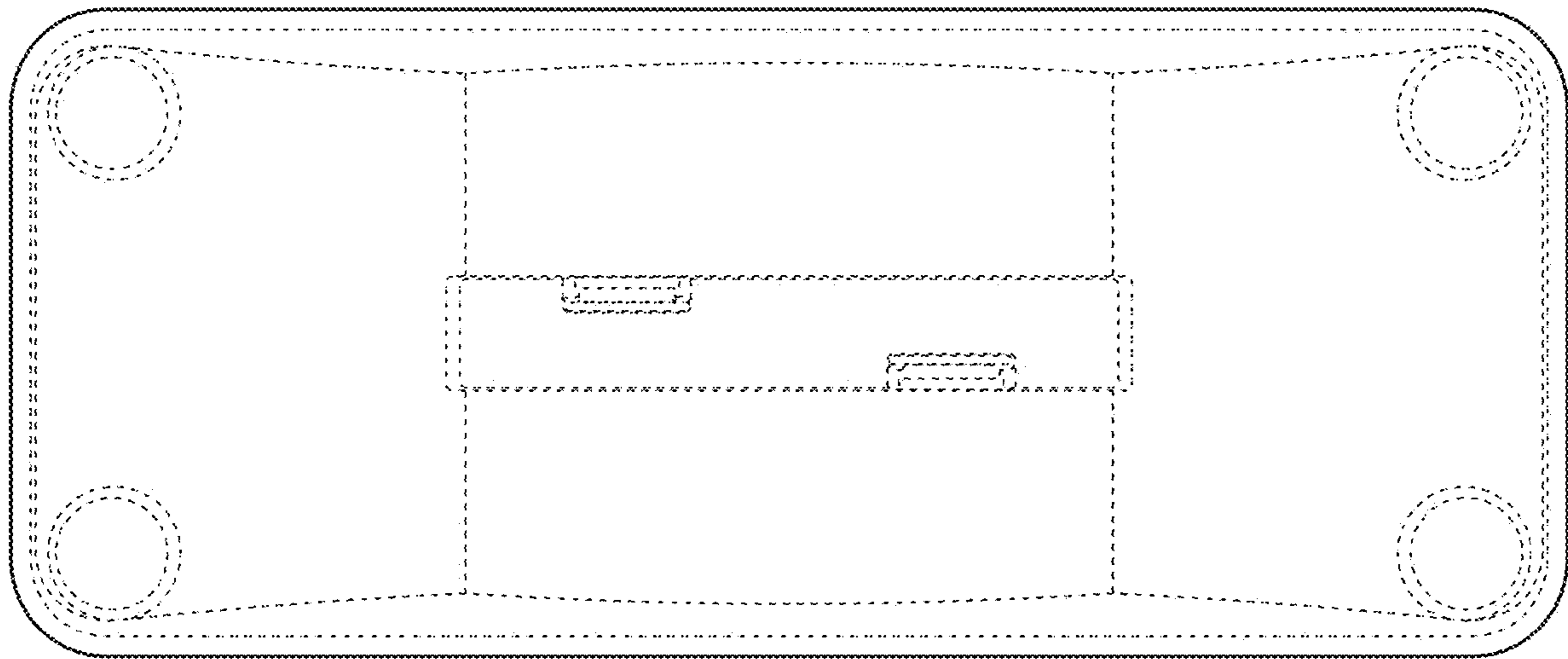
*Fig. 4*



*Fig. 5*



*Fig. 6*



*Fig. 7*