



US00D927588S

(12) **United States Design Patent**
Ishida et al.

(10) **Patent No.:** **US D927,588 S**

(45) **Date of Patent:** **** Aug. 10, 2021**

(54) **PRINTER**

15/0891; G03G 15/0875; G03G
2215/0827; G03G 2215/0855; G03G
21/1842

(71) Applicants: **Masahiro Ishida**, Tokyo (JP); **Yuki Sato**, Tokyo (JP); **Ryuuta Kaneda**, Tokyo (JP); **Kentaro Uji**, Tokyo (JP)

See application file for complete search history.

(72) Inventors: **Masahiro Ishida**, Tokyo (JP); **Yuki Sato**, Tokyo (JP); **Ryuuta Kaneda**, Tokyo (JP); **Kentaro Uji**, Tokyo (JP)

(56) **References Cited**

U.S. PATENT DOCUMENTS

(73) Assignee: **Ricoh Company, Ltd.**, Tokyo (JP)

(**) Term: **15 Years**

(21) Appl. No.: **29/692,634**

(22) Filed: **May 28, 2019**

(30) **Foreign Application Priority Data**

Nov. 29, 2018 (JP) 2018-025991

(51) **LOC (13) Cl.** **18-02**

(52) **U.S. Cl.**
USPC **D18/53**

(58) **Field of Classification Search**
USPC D15/122, 135-138, 141, 66, 73, 76-78, D15/146, 150, 143, 89; D18/53, 59, 50, D18/14, 19, 54-57, 36-45, 34.4, 34.5, D18/34.6, 18, 51, 34.1; D14/301-303, D14/307, 345, 420-425, 462; D6/691.4, D6/675, 708, 671, 520-523, 580; D34/35, 29, 1; D7/700, 554.3, 637; D3/304, 313; D9/424; D8/313, 314, D8/301, 380, 382, 358, 354; D10/119.1; D32/19, 25, 32, 21; D4/128, 102, 122; D25/157, 160, 162, 119; D19/1, 5, 113, D19/190, 191, 104, 107, 192, 202, 99, D19/100
CPC B41J 2/14; B41J 2/01; B41J 2/22; B41J 1/54; B41J 3/4073; B41J 3/4078; B41F 17/22; B41F 17/003; B41F 17/38; B28B 1/001; B65H 5/02; G03G 15/08; G03G

D193,712 S *	10/1962	Inatomi et al.	D14/302
D195,127 S *	4/1963	Inatomi et al.	D14/421
D218,100 S *	7/1970	Dabney	D14/307
D330,195 S *	10/1992	Savio	D18/4.4
D360,893 S *	8/1995	Quedenfeld	D18/53
D544,534 S *	6/2007	Reece	D18/53
D763,349 S *	8/2016	Lee	D18/53
D764,576 S *	8/2016	Cho	D18/53
D807,956 S *	1/2018	Brown	D18/53
D832,343 S *	10/2018	Kim	D18/53
D874,561 S *	2/2020	Shirane	D18/36
D882,651 S *	4/2020	Moser	D15/135

* cited by examiner

Primary Examiner — George A Bugg

Assistant Examiner — Mary Claire Ramirez

(74) *Attorney, Agent, or Firm* — Oblon, McClelland, Maier & Neustadt, L.L.P.

(57) **CLAIM**

The ornamental design for a printer, as shown and described.

DESCRIPTION

FIG. 1 is a perspective view of a printer according to our new design;

FIG. 2 is a front elevational view thereof;

FIG. 3 is a rear elevational view thereof;

FIG. 4 is a right side elevational view thereof;

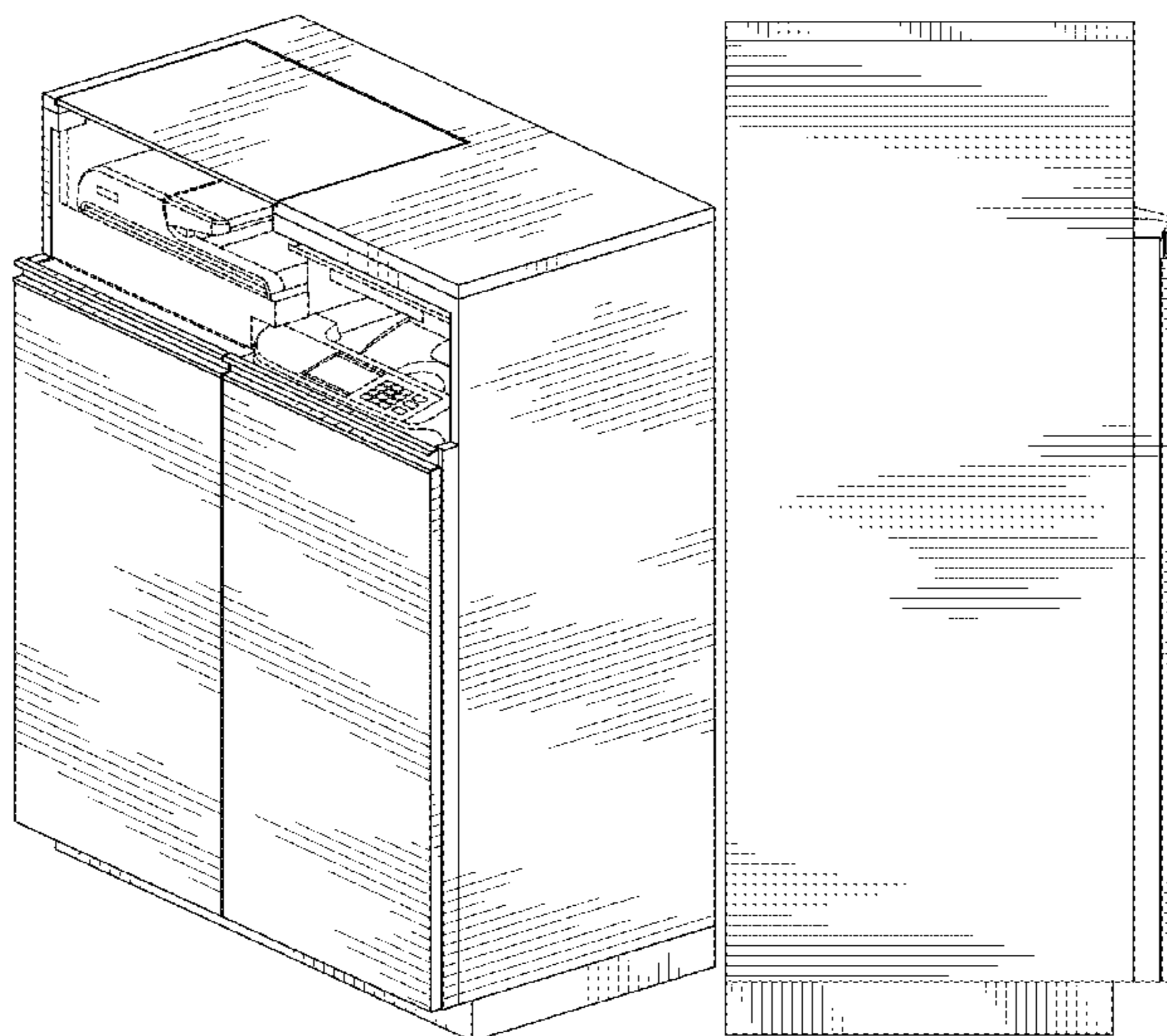
FIG. 5 is a left side elevational view thereof;

FIG. 6 is a top plan view thereof; and,

FIG. 7 is a bottom plan view thereof.

The broken lines shown in the drawings depict portions of the printer that form no part of the claimed design.

1 Claim, 6 Drawing Sheets



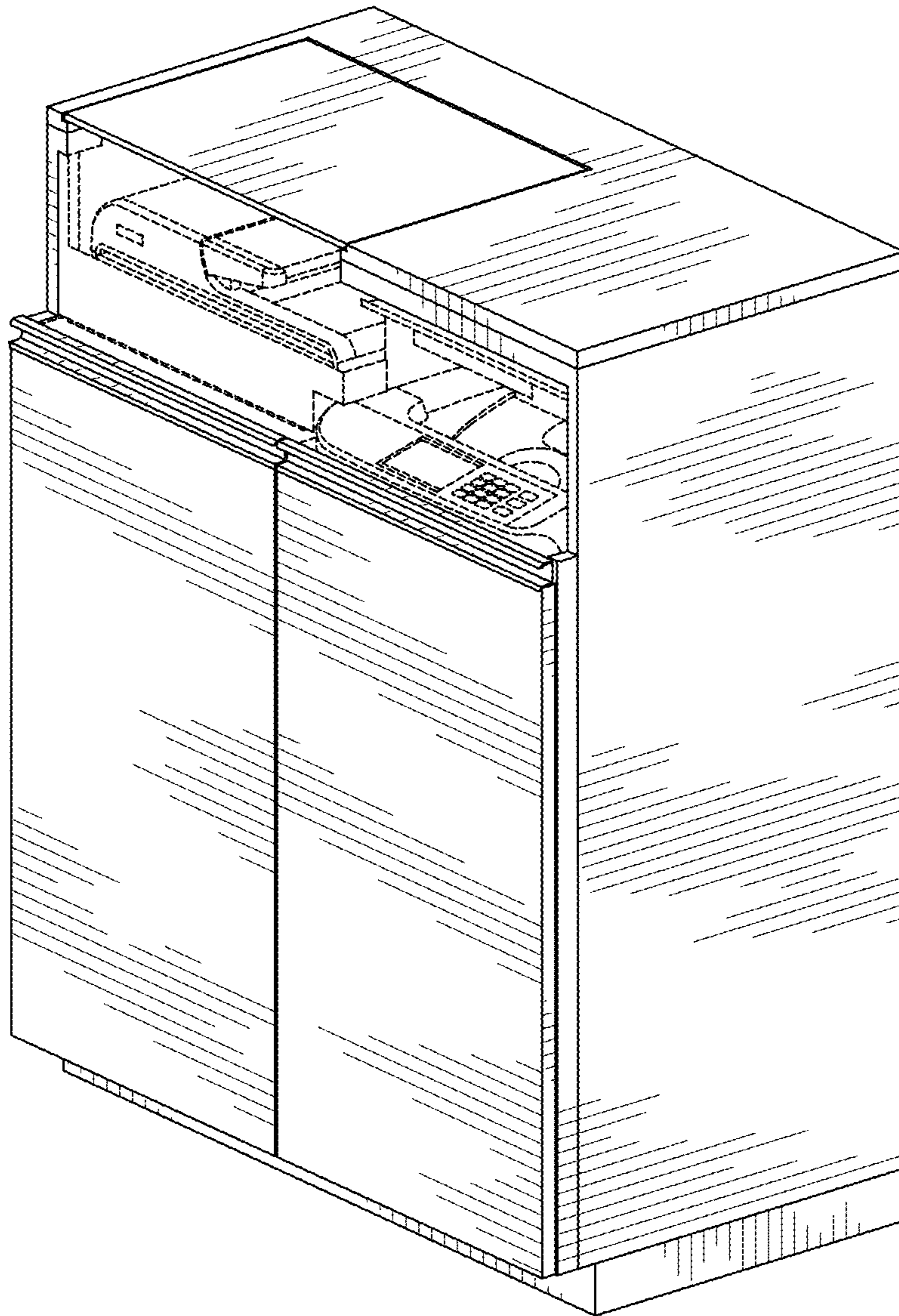


FIG. 1

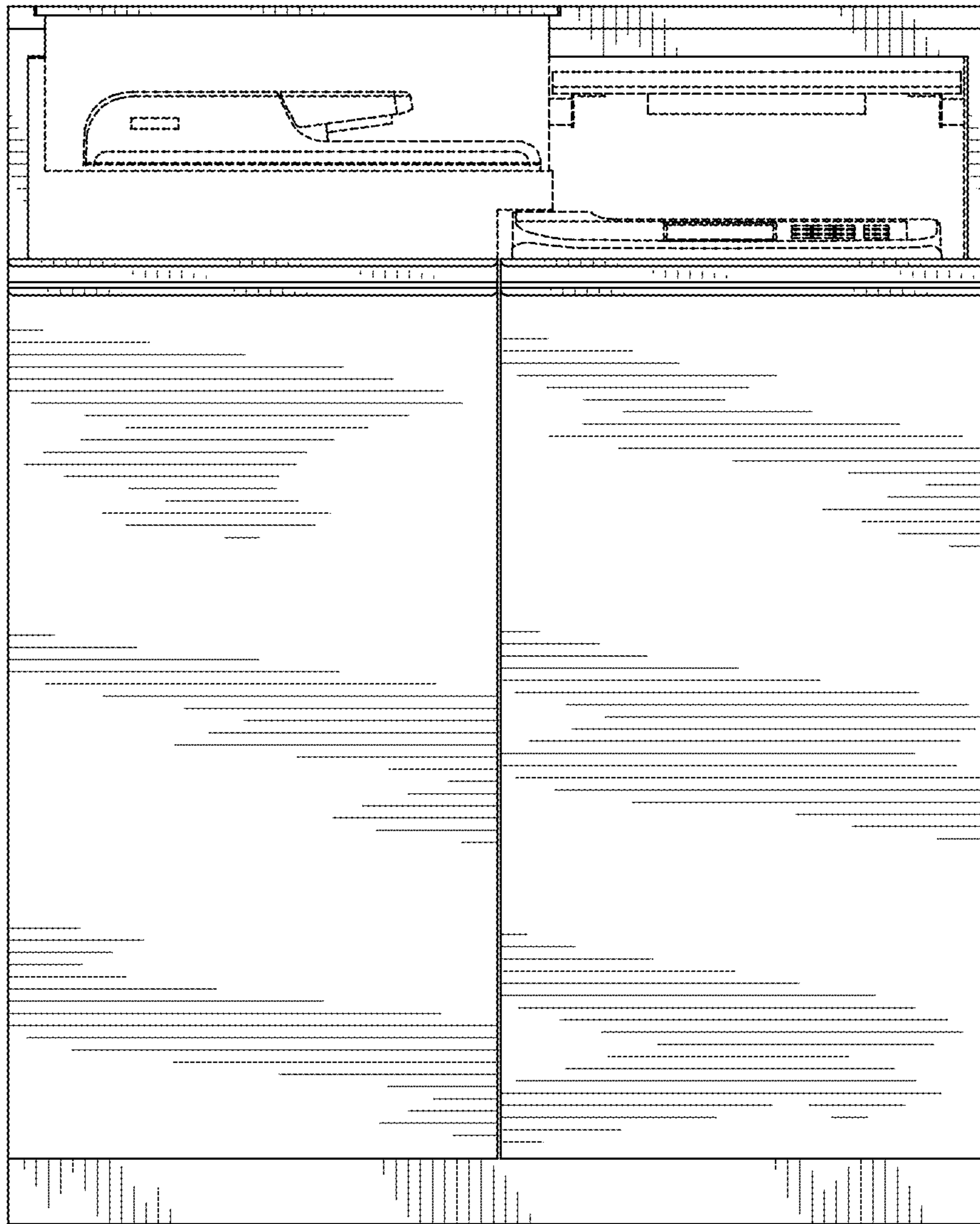


FIG. 2



FIG. 3

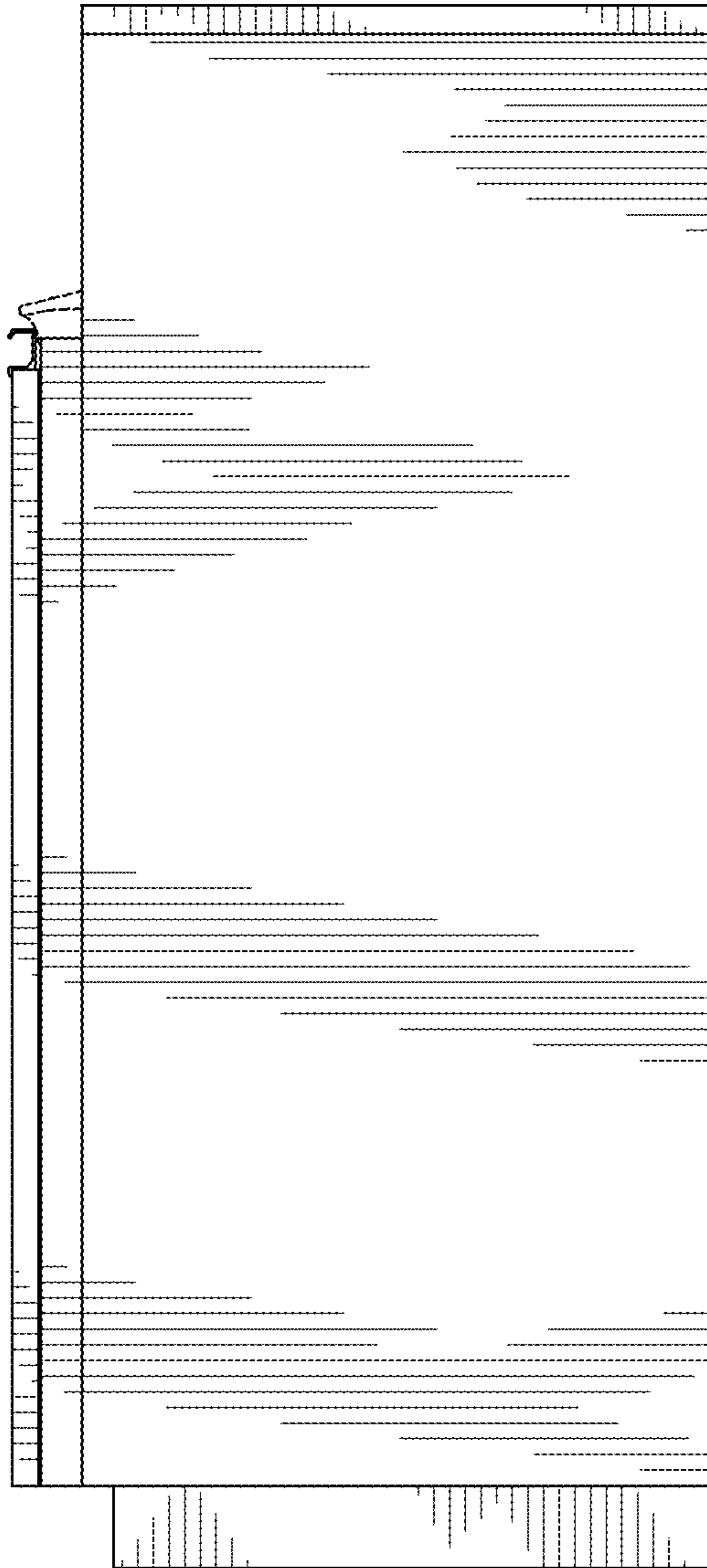


FIG. 4

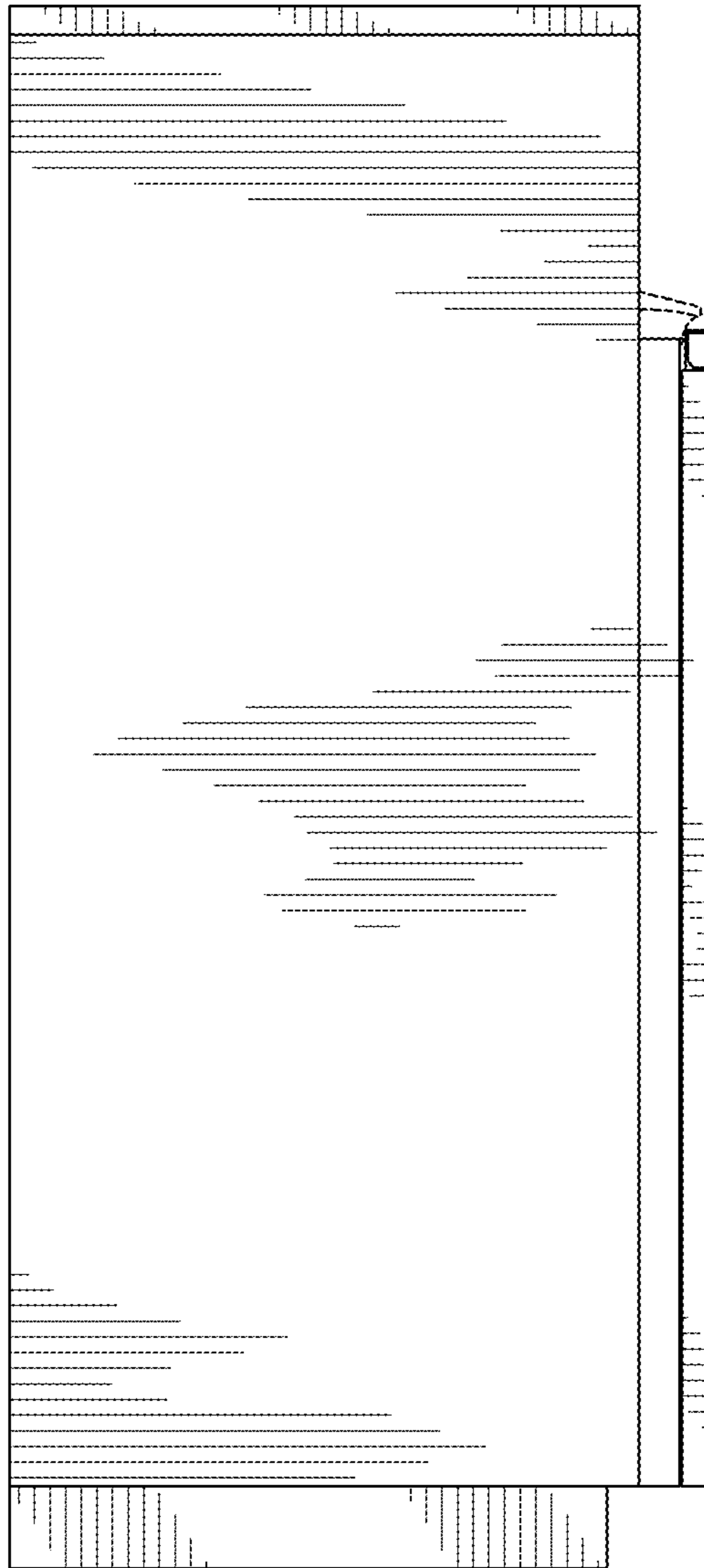


FIG. 5

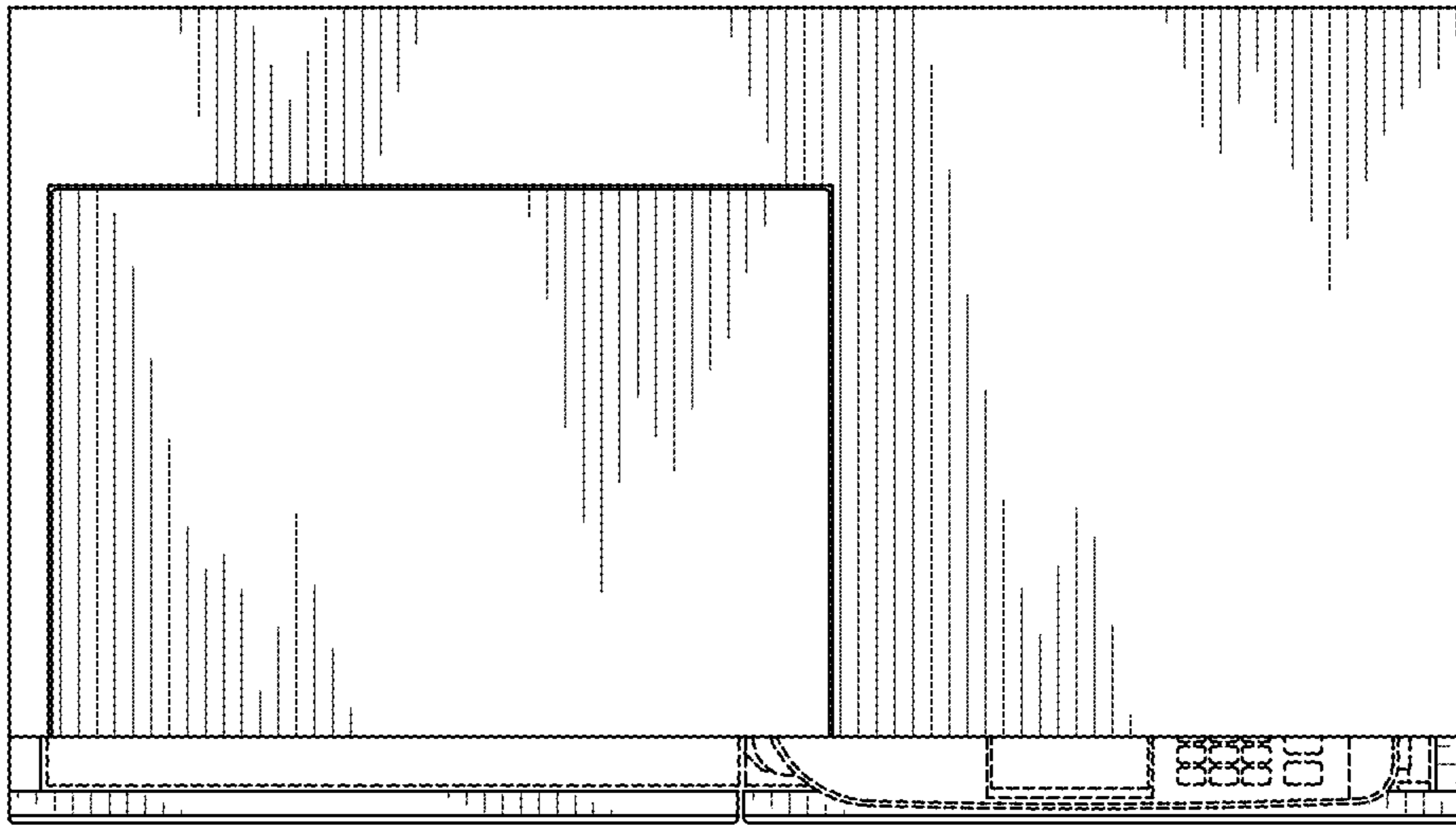


FIG. 6

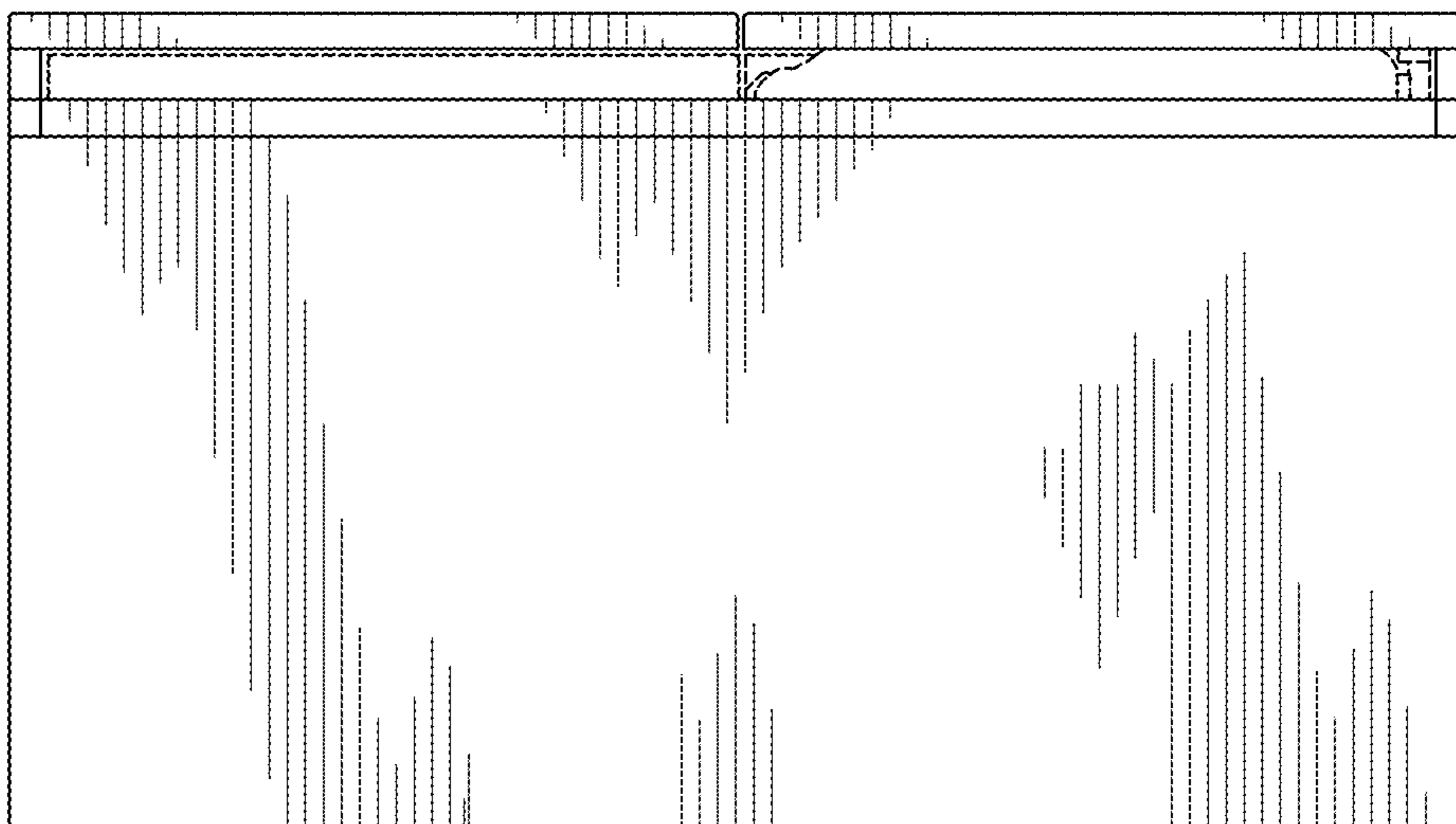


FIG. 7