



US00D927584S

(12) **United States Design Patent**  
**Chen**

(10) **Patent No.:** **US D927,584 S**

(45) **Date of Patent:** **\*\* Aug. 10, 2021**

(54) **FLASHLIGHT**

(71) Applicant: **Yueqing Originality Photography Equipment Co., Ltd., Yueqing (CN)**

(72) Inventor: **Jiansheng Chen, Zhejiang (CN)**

(\*\*) Term: **15 Years**

(21) Appl. No.: **29/710,222**

(22) Filed: **Oct. 22, 2019**

(30) **Foreign Application Priority Data**

Jul. 3, 2019 (CN) ..... 201930349654.9

(51) **LOC (13) Cl.** ..... **16-05**

(52) **U.S. Cl.**  
USPC ..... **D16/240; D26/51**

(58) **Field of Classification Search**  
USPC ..... D16/208, 209, 219, 237-250; D14/224, D14/229, 238, 251, 253, 433, 434, 447, D14/451; D26/37-51, 24, 26, 60, 61, 63, D26/64, 66

CPC ..... G03B 17/56; G02B 7/00-002; H04N 5/2253-2254; H04N 2101/00; F16M 11/04-12; A45F 2200/0508-0533; A45F 5/00; A45F 5/10; F21L 2003/00; F21L 4/00; F21L 4/005; F21L 4/02; F21L 4/025; F21L 4/027; F21L 4/04; F21L 4/08; F21L 2005/00; F21L 7/00; F21L 11/00; F21L 13/00; F21L 13/04; F21L 13/08; F21L 14/02; F21L 17/00; F21L 19/00; F21L 25/00; F21L 2/00; F21V 21/30; F21V 21/406; F21W 2131/406; F21W 2131/407

See application file for complete search history.

(56) **References Cited**

**U.S. PATENT DOCUMENTS**

D263,720 S \* 4/1982 Takematsu ..... D16/240  
D342,753 S \* 12/1993 Haga ..... D16/239

5,794,082 A \* 8/1998 Matsui ..... G03B 15/05  
396/171  
D400,227 S \* 10/1998 Tenne ..... D16/239  
D453,351 S \* 2/2002 Kitera ..... D16/239  
D502,488 S \* 3/2005 Miyashita ..... D16/239  
D658,222 S \* 4/2012 Elrod ..... D16/206  
D660,187 S \* 5/2012 Chen ..... D10/47  
D665,440 S \* 8/2012 Sigward ..... D16/206  
D677,298 S \* 3/2013 Hallgren ..... D16/206  
D695,815 S \* 12/2013 Takahashi ..... D16/240

(Continued)

**FOREIGN PATENT DOCUMENTS**

CN 304853484 \* 10/2018  
CN 305179647 \* 5/2019

**OTHER PUBLICATIONS**

Another Profoto A1 clone GVM Y1 Lighting Rumours <https://www.lightingrumours.com/gvm-y1-11160> Sep. 20, 2020 (Year: 2020).\*

(Continued)

*Primary Examiner* — Leanne Was-Englehart

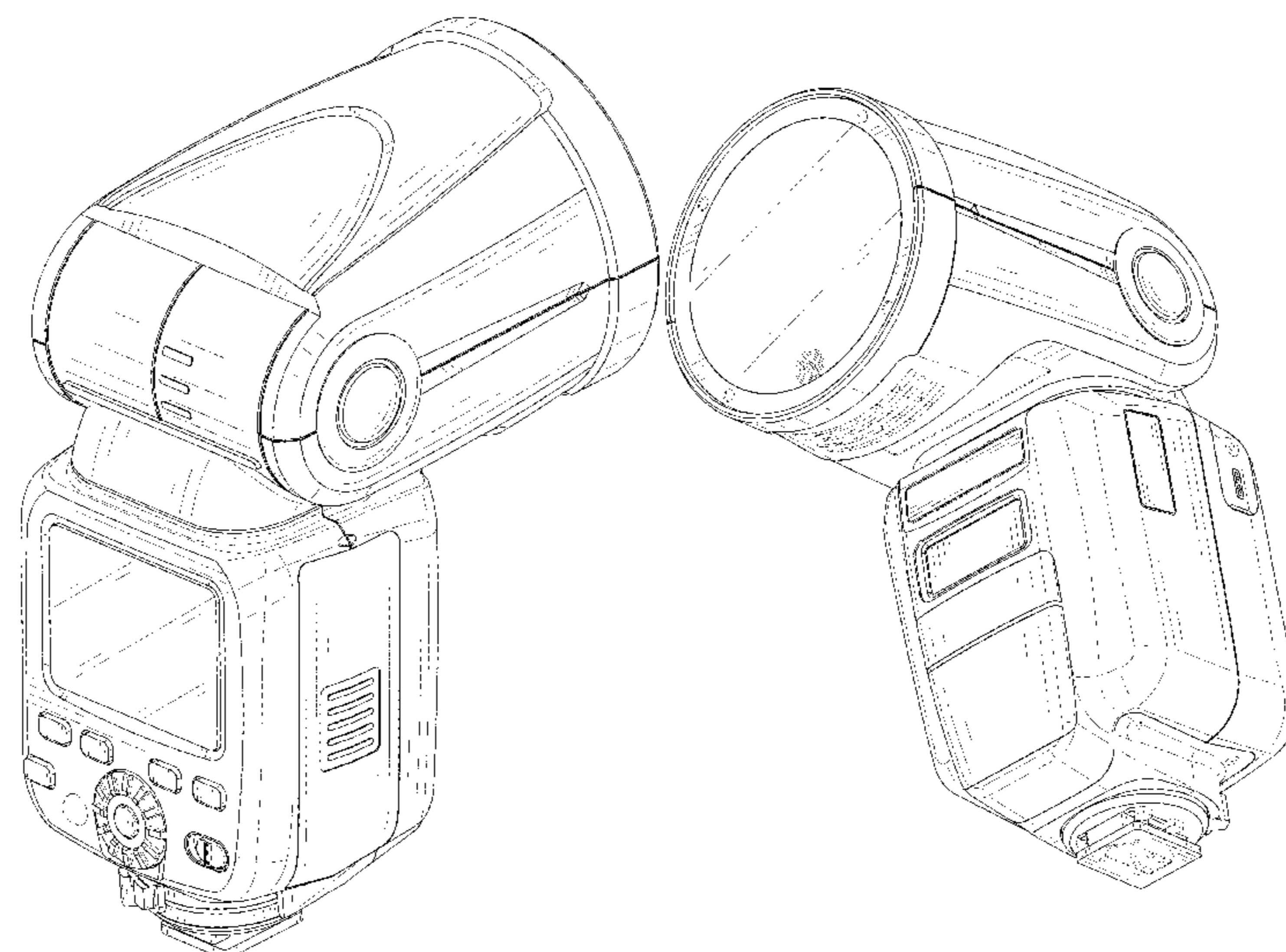
(57) **CLAIM**

The ornamental design for a flashlight, as shown and described.

**DESCRIPTION**

FIG. 1 is a rear and top perspective view of a flashlight, showing my new design;  
FIG. 2 is a front and bottom perspective view thereof;  
FIG. 3 is a front elevational view thereof;  
FIG. 4 is a rear elevational view thereof;  
FIG. 5 is a left side elevational view thereof;  
FIG. 6 is a right side elevational view thereof;  
FIG. 7 is a top plan view thereof; and,  
FIG. 8 is a bottom plan view thereof.  
The broken lines in the figures illustrate portions of the flashlight that form no part of the claimed design.

**1 Claim, 8 Drawing Sheets**



(56)

**References Cited**

U.S. PATENT DOCUMENTS

D696,711	S *	12/2013	Takahashi .....	D16/240
D701,553	S *	3/2014	Sanhui .....	D16/239
D703,723	S *	4/2014	Soejima .....	D16/239
D708,251	S *	7/2014	Chen .....	D16/240
D710,424	S *	8/2014	Hallgren .....	D16/206
D712,080	S	8/2014	Trude et al.	
D714,375	S *	9/2014	Ozone .....	D16/239
D714,853	S *	10/2014	Imafuji .....	D16/239
D723,605	S *	3/2015	Palm .....	D16/206
D727,393	S *	4/2015	Elrod .....	D16/206
D757,838	S *	5/2016	Laho .....	D16/206
D819,115	S *	5/2018	Nohara .....	D16/239
D855,683	S *	8/2019	Sakai .....	D16/239
D866,646	S *	11/2019	Liu .....	D16/239
D880,032	S *	3/2020	Maier .....	D26/45
2007/0047944	A1 *	3/2007	Hayashi .....	G03B 17/02 396/155
2014/0002668	A1 *	1/2014	Nguyen .....	G01J 5/0265 348/164

OTHER PUBLICATIONS

The New Profoto A1 Studio Light B&H <https://www.bhphotovideo.com/explora/photography/news/new-profoto-a1-studio-light-camera-or-choice-yours> Available Aug. 9, 2019 (Year: 2019).\*

\* cited by examiner

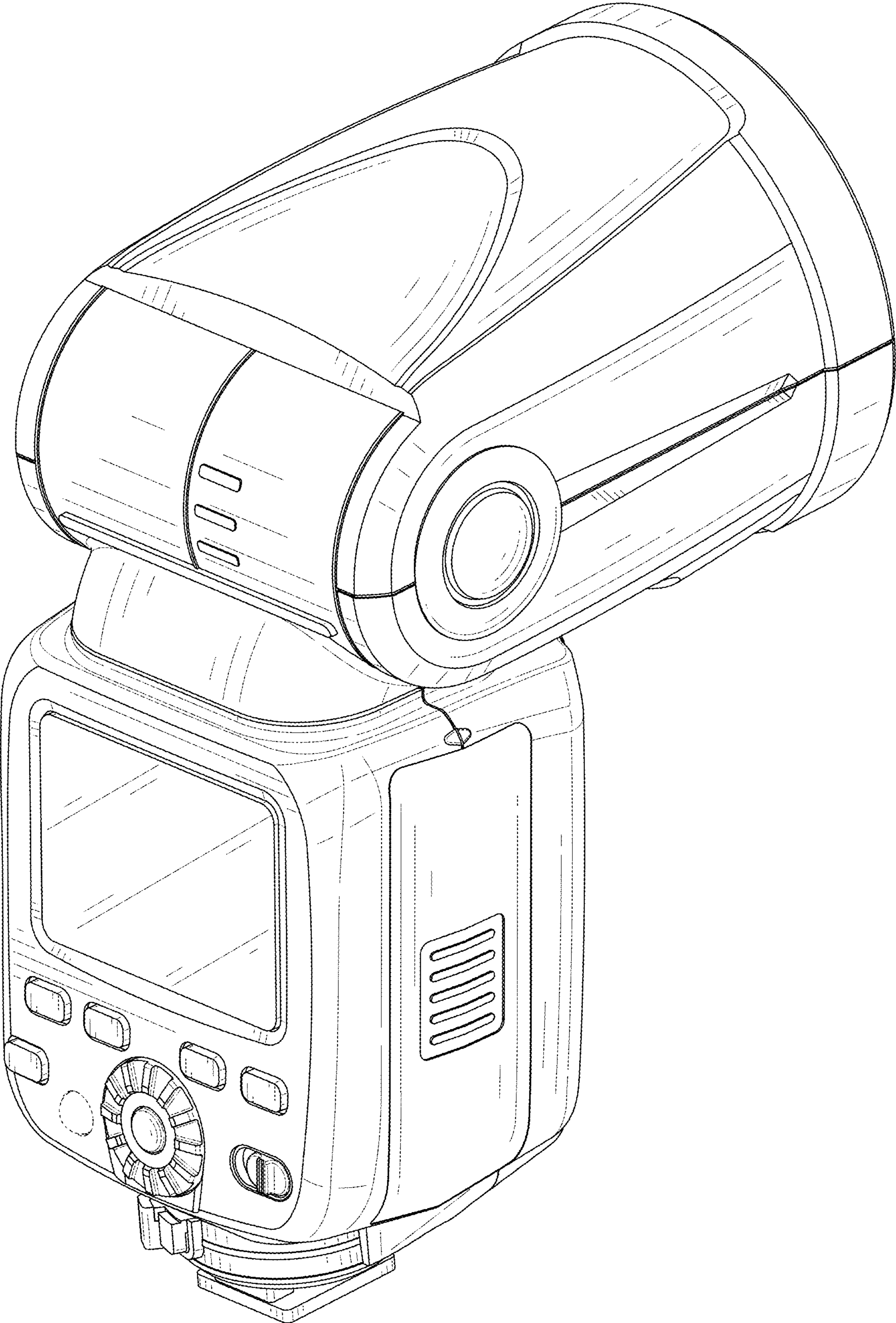


FIG. 1

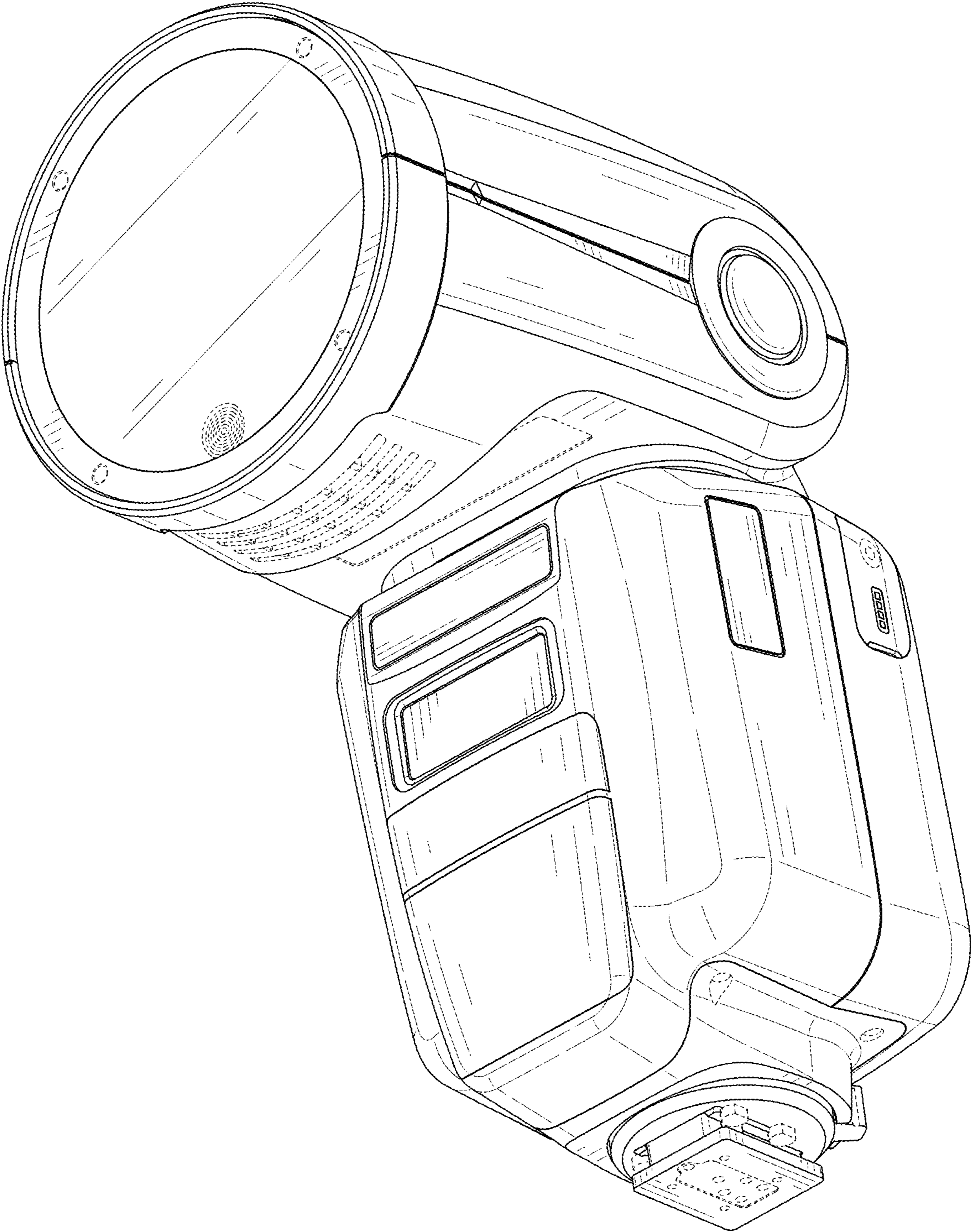


FIG. 2

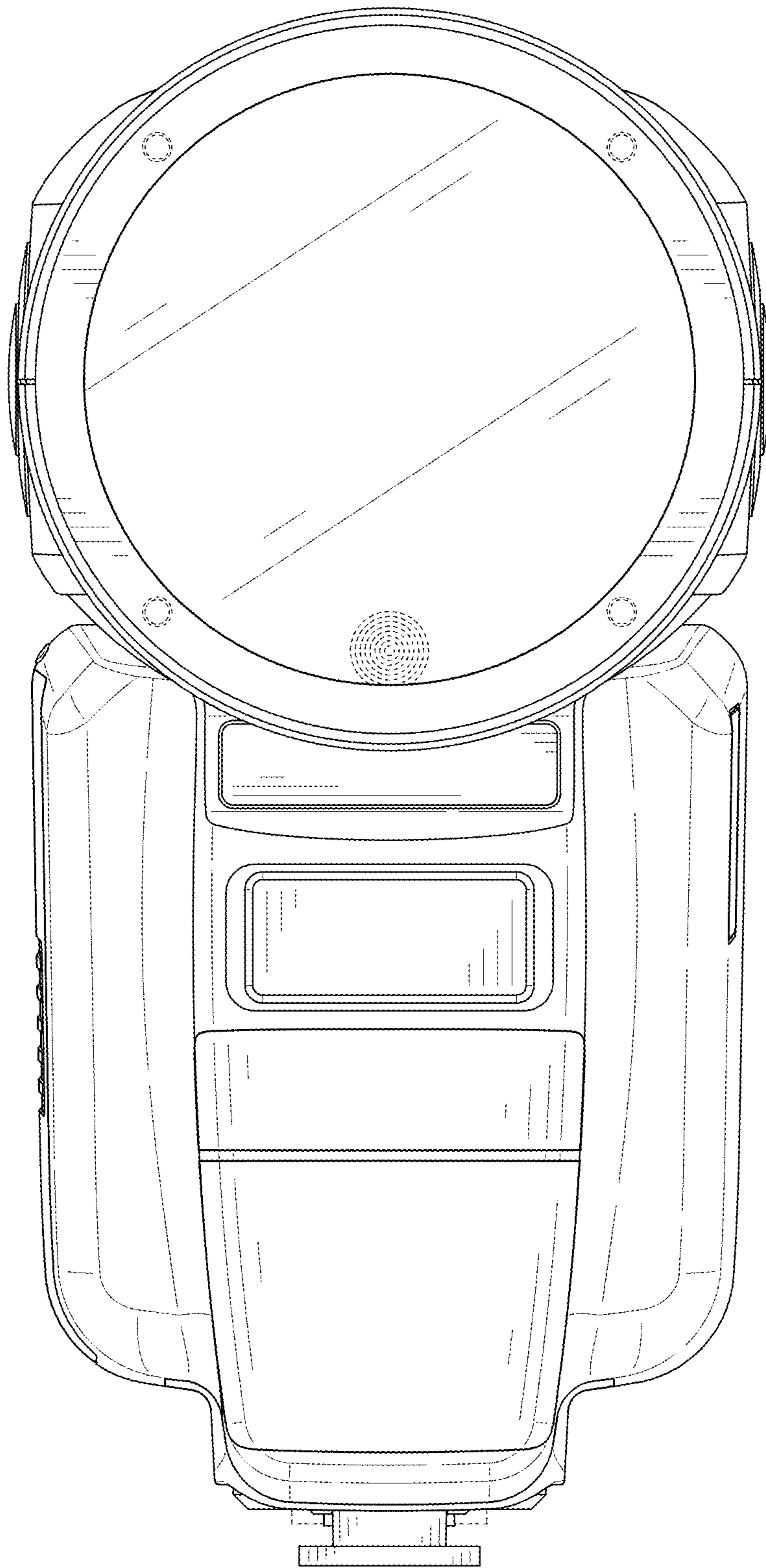


FIG. 3

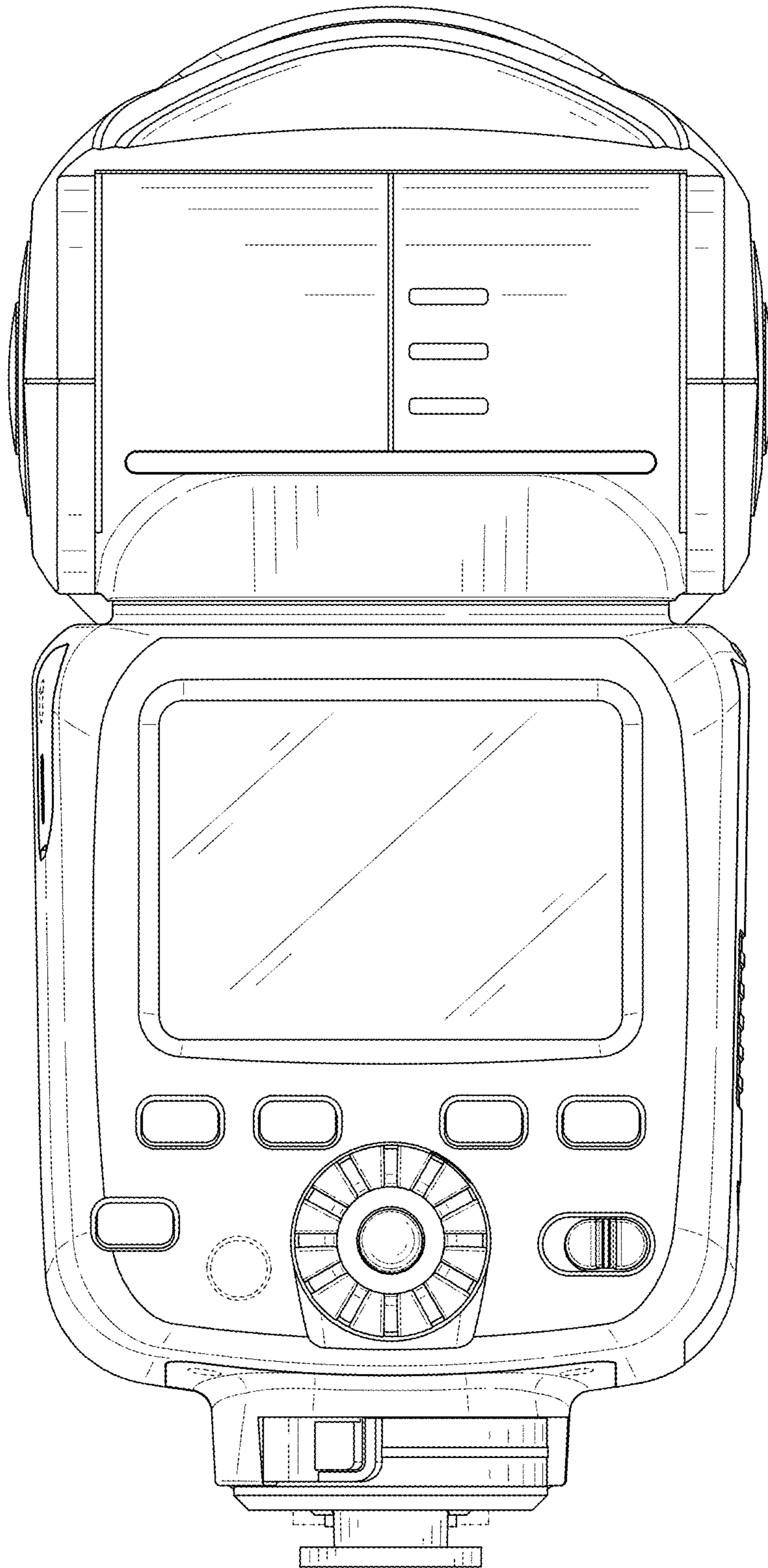


FIG. 4

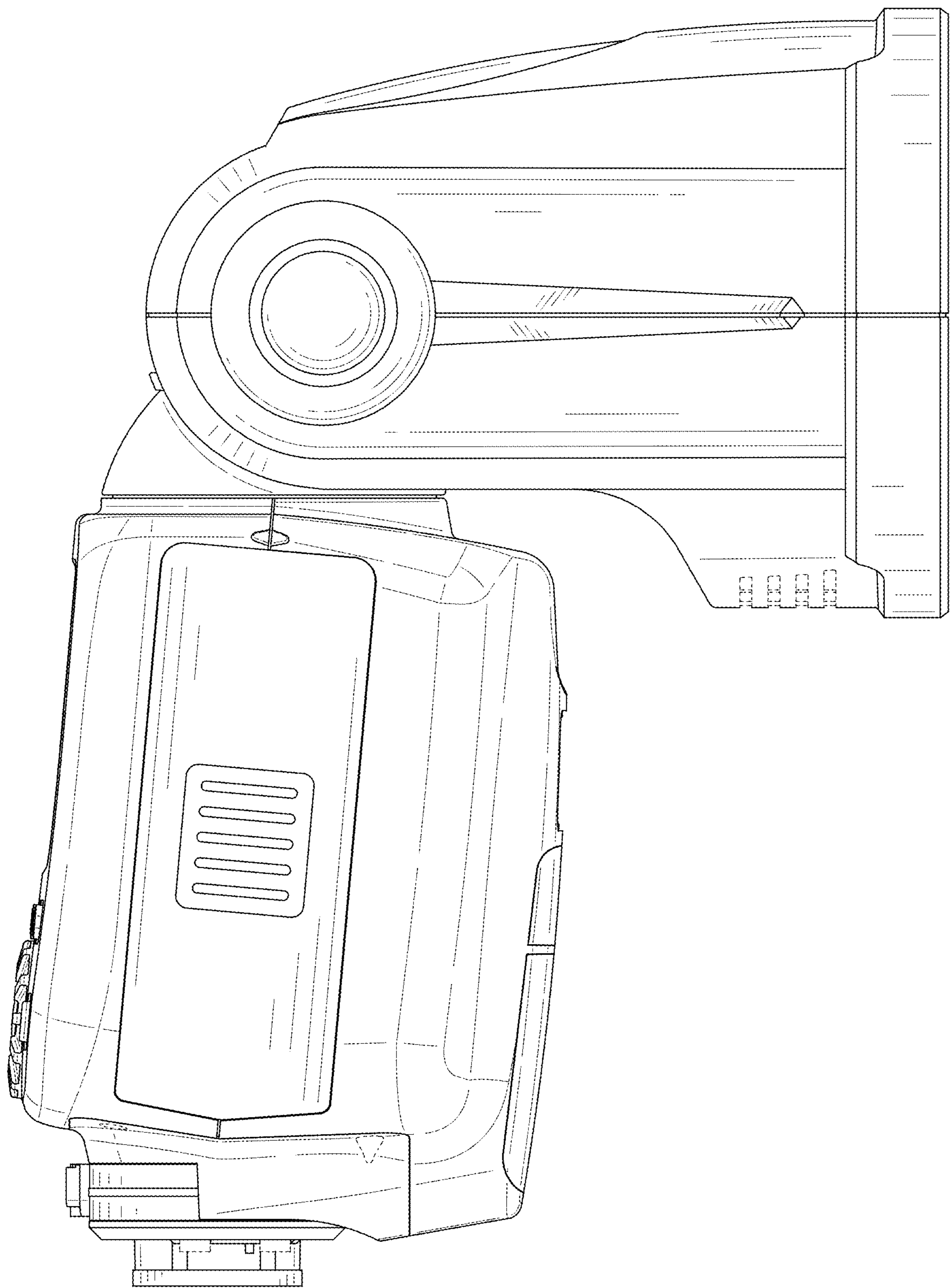


FIG. 5

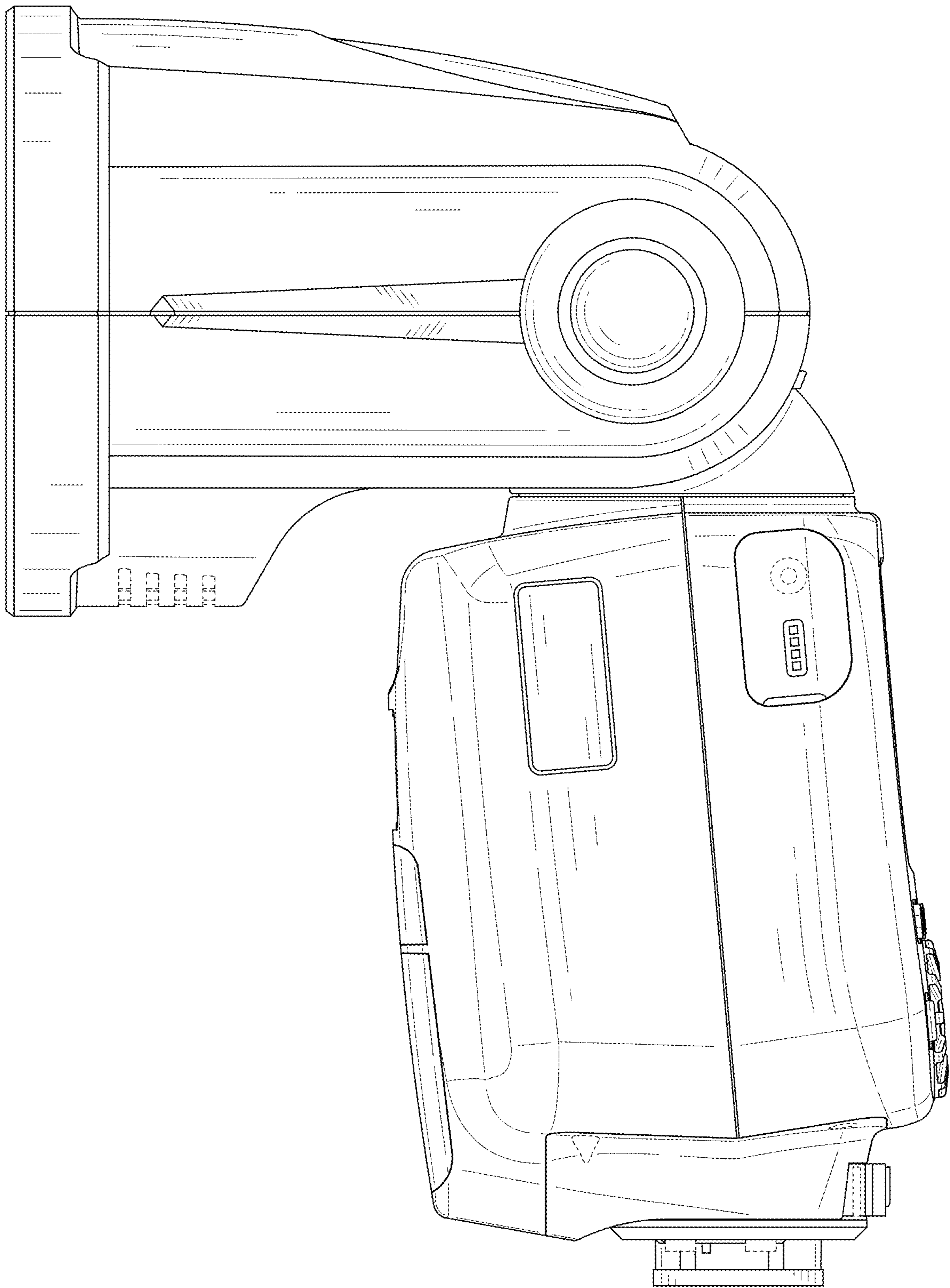


FIG. 6



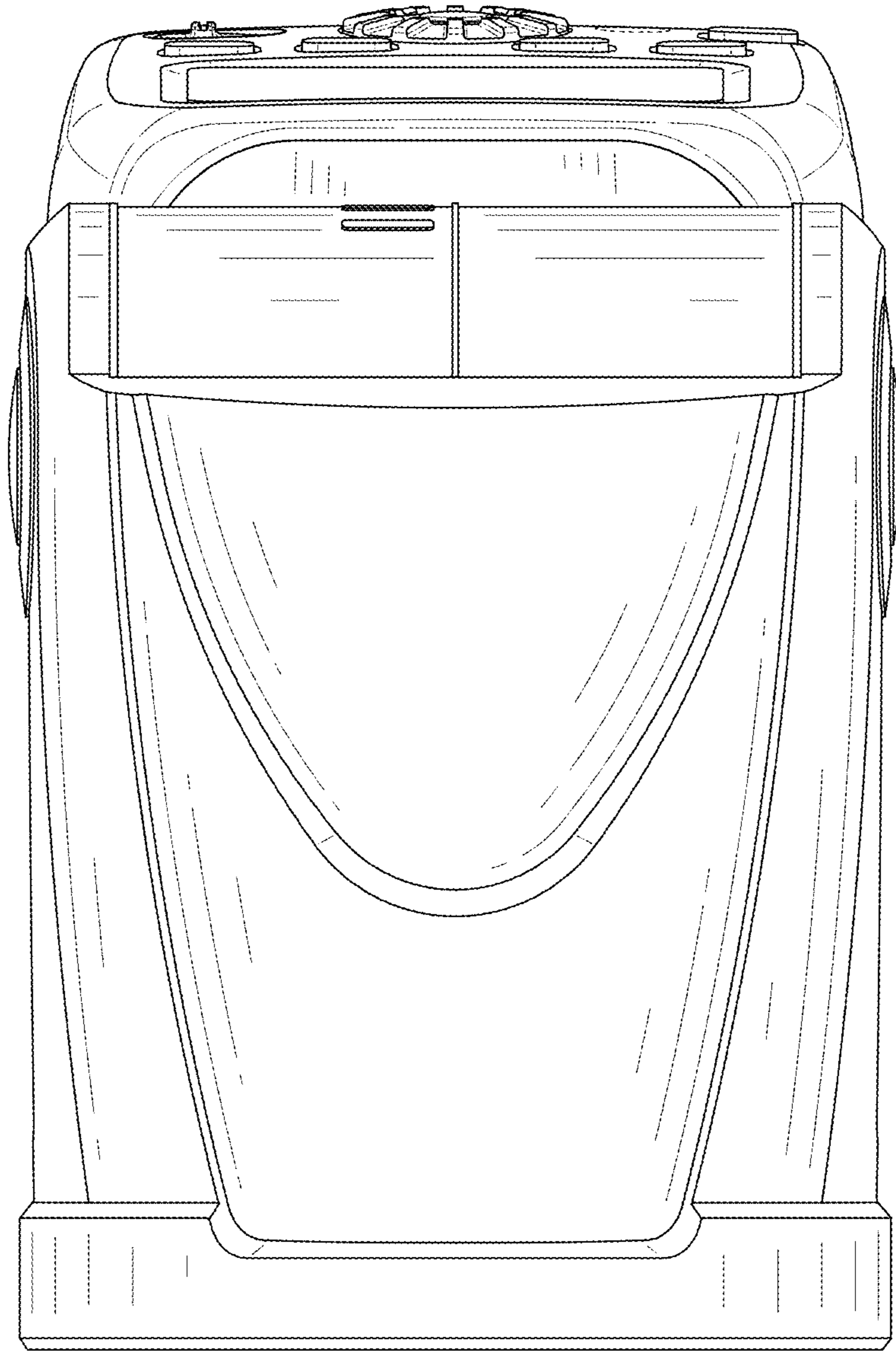


FIG. 7

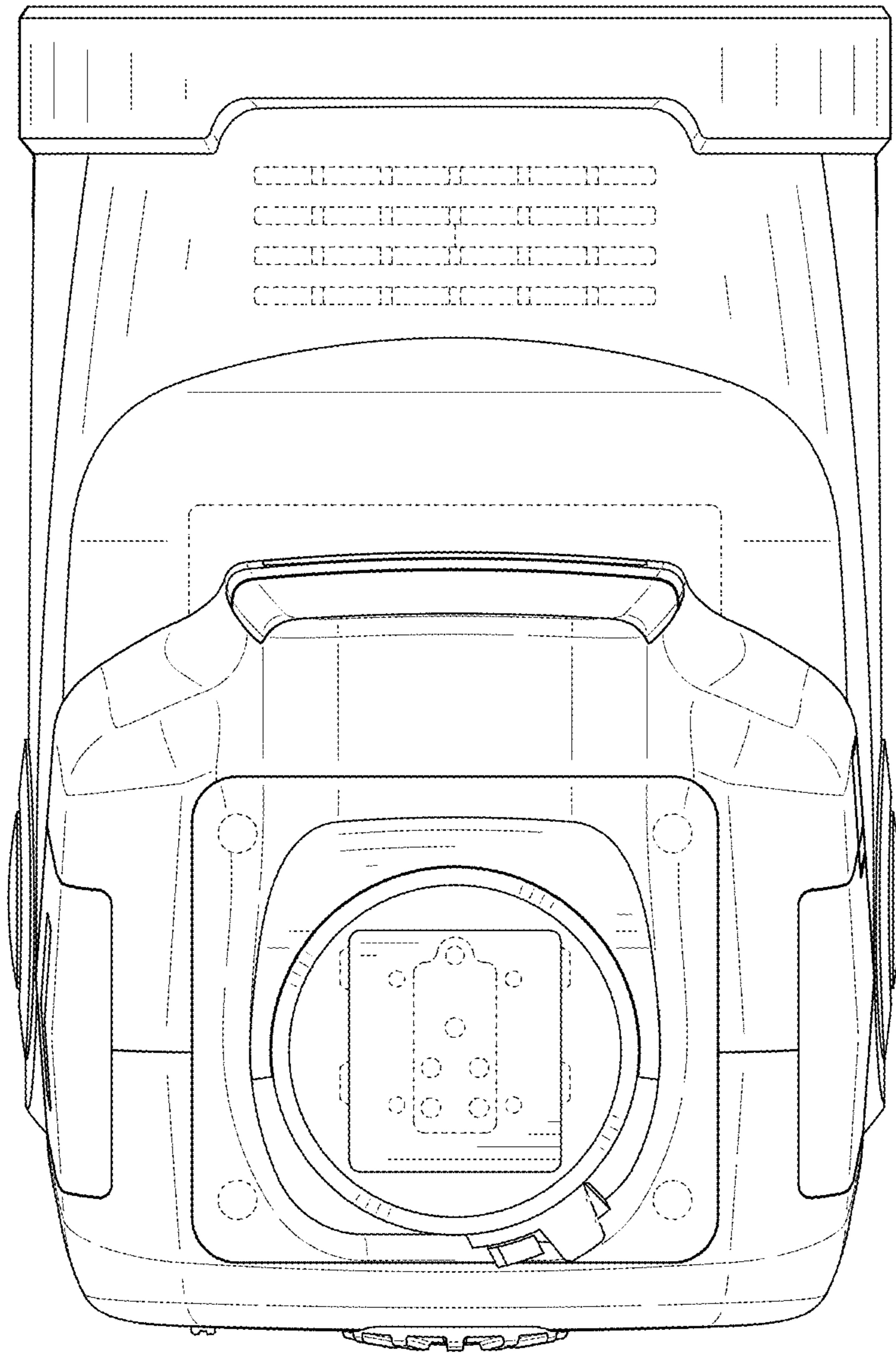


FIG. 8