



US00D927583S

(12) **United States Design Patent** (10) **Patent No.:** **US D927,583 S**
Feng (45) **Date of Patent:** **** Aug. 10, 2021**

(54) **LED RING LIGHT WITH TRIPOD STAND**

(71) Applicant: **SHENZHEN QISHI TECHNOLOGY CO., LTD.**, Shenzhen (CN)

(72) Inventor: **Yali Feng**, Shenzhen (CN)

(73) Assignee: **SHENZHEN QISHI TECHNOLOGY CO., LTD.**, Shenzhen (CN)

(**) Term: **15 Years**

(21) Appl. No.: **29/766,674**

(22) Filed: **Jan. 18, 2021**

(51) **LOC (13) Cl.** **16-05**

(52) **U.S. Cl.**
USPC **D16/237; D26/106**

(58) **Field of Classification Search**
USPC D16/219, 237, 242–245; D8/354, 355, D8/363, 373, 382; D14/224, 229, 238, D14/251, 253, 447, 451, 457; D26/63, D26/106

CPC .. F16M 11/06–10; F16M 11/14; G03B 17/56; G03B 17/561–566

See application file for complete search history.

(56) **References Cited**

U.S. PATENT DOCUMENTS

D364,241 S	*	11/1995	Jaynes	D26/106
D873,328 S	*	1/2020	Shen	D16/239
D877,392 S	*	3/2020	Yu	D26/79
D880,048 S	*	3/2020	Zhu	D26/106
D886,360 S	*	6/2020	Xu	D26/106
D887,052 S		6/2020	Xu		
D895,716 S	*	9/2020	Chen	D16/244
D899,491 S		10/2020	Chen		
D901,749 S	*	11/2020	Chen	D26/106
D903,185 S	*	11/2020	Li	D26/106
D907,836 S	*	1/2021	Zhou	D26/106
D909,649 S	*	2/2021	Chu	D26/63

OTHER PUBLICATIONS

10" Ring Light with 50" Extendable Tripod Stand, Sensyne LED Circle Lights with Phone Holder for Live Stream/Makeup/YouTube Video/TikTok, Compatible with All Phones, [online] Retrieved Jun. 16, 2021 from URL: https://www.amazon.com/Extendable-Sensyne-YouTube-Compatible-Phones/dp/B08B3X7NXC/ref=sr_1_4?dchild=1&keywords=*

* cited by examiner

Primary Examiner — Vy N Koenig

(57) **CLAIM**

The ornamental design for an LED ring light with tripod stand, as shown and described.

DESCRIPTION

FIG. 1 is a front perspective view of an LED ring light with tripod stand showing my new design where the LED ring light with tripod stand is in a first configuration of use shown with an unclaimed phone;

FIG. 2 is a front perspective view of the LED ring light with tripod stand where the LED ring light with tripod stand is in a second configuration of use shown with an unclaimed phone;

FIG. 3 is a front perspective view of the LED ring light with tripod stand of FIG. 2 shown without an unclaimed phone;

FIG. 4 is rear perspective view thereof;

FIG. 5 is a front elevational view thereof;

FIG. 6 is a rear elevational view thereof;

FIG. 7 is a left side elevational view thereof;

FIG. 8 is a right side elevational view thereof;

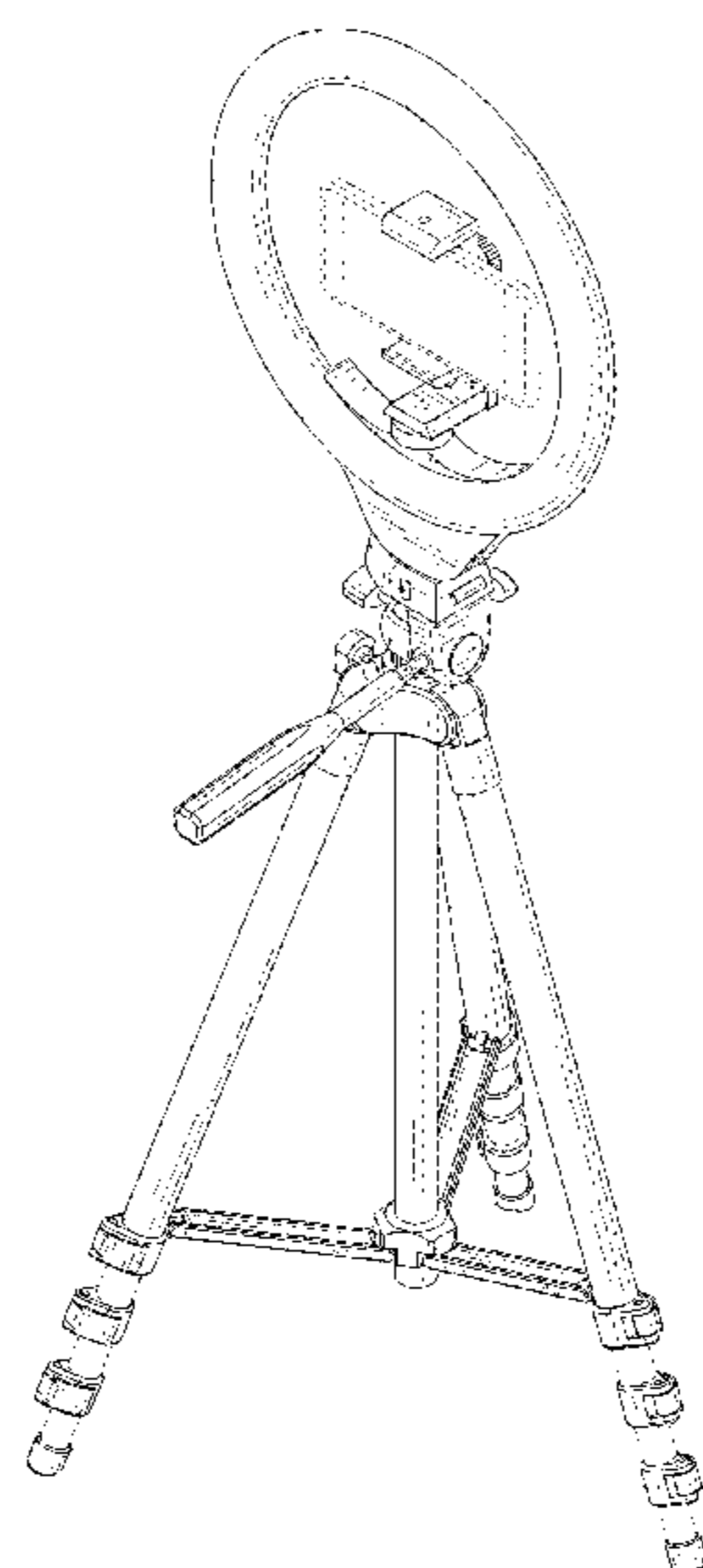
FIG. 9 is a top plan view thereof;

FIG. 10 is a bottom plan view thereof; and,

FIG. 11 is an enlarged view of portion 11 shown in FIG. 4.

The broken lines in the drawings depict environmental subject matter, specifically a phone in FIGS. 1 and 2, and portions of the LED ring light with tripod stand in all figures that form no part of the claimed design.

1 Claim, 11 Drawing Sheets



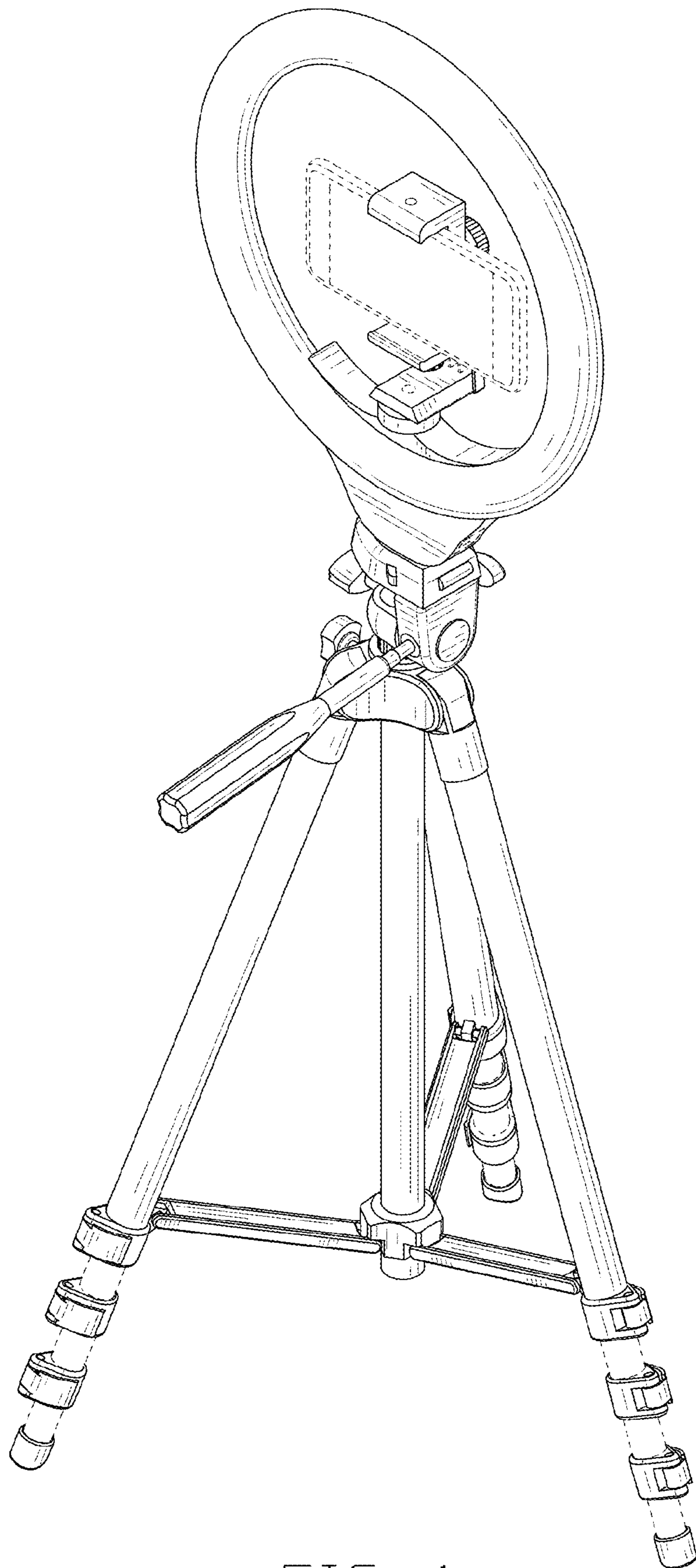


FIG. 1

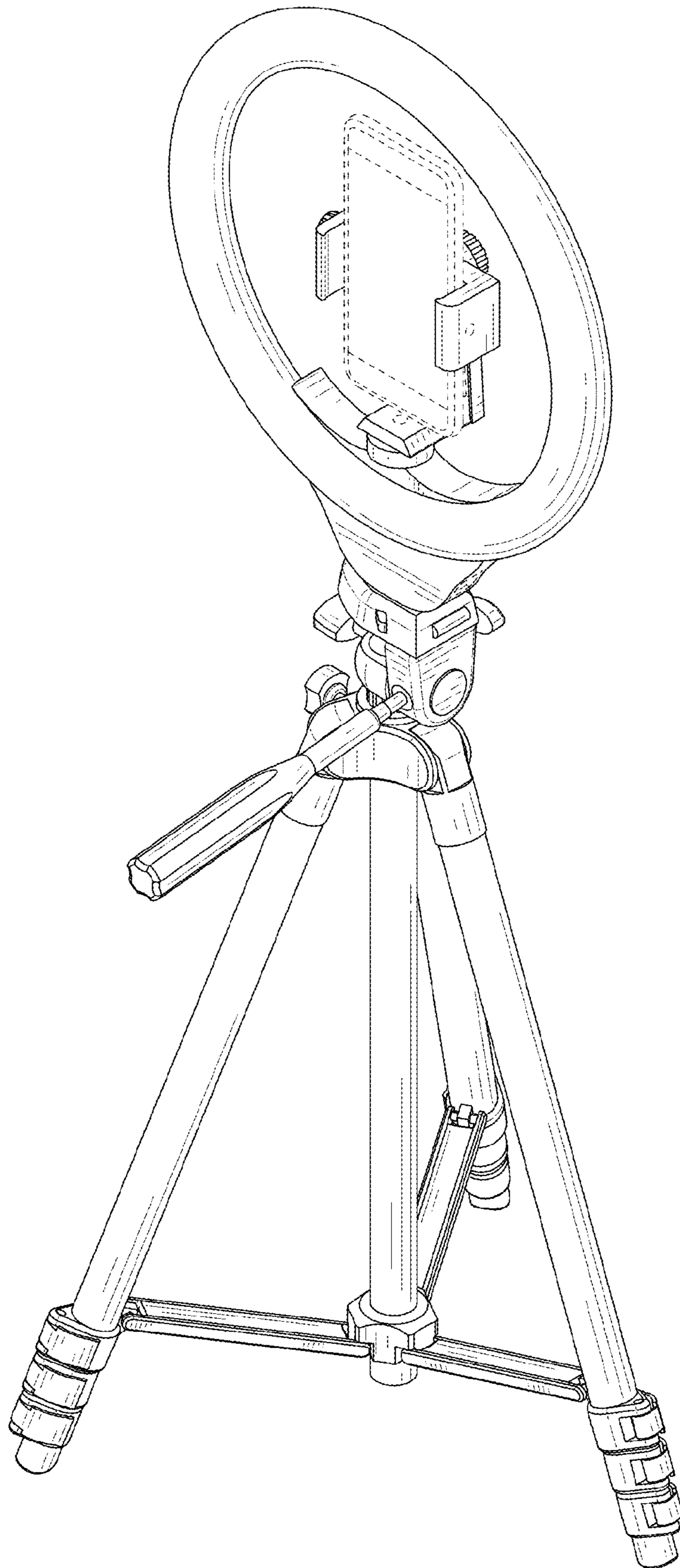


FIG. 2

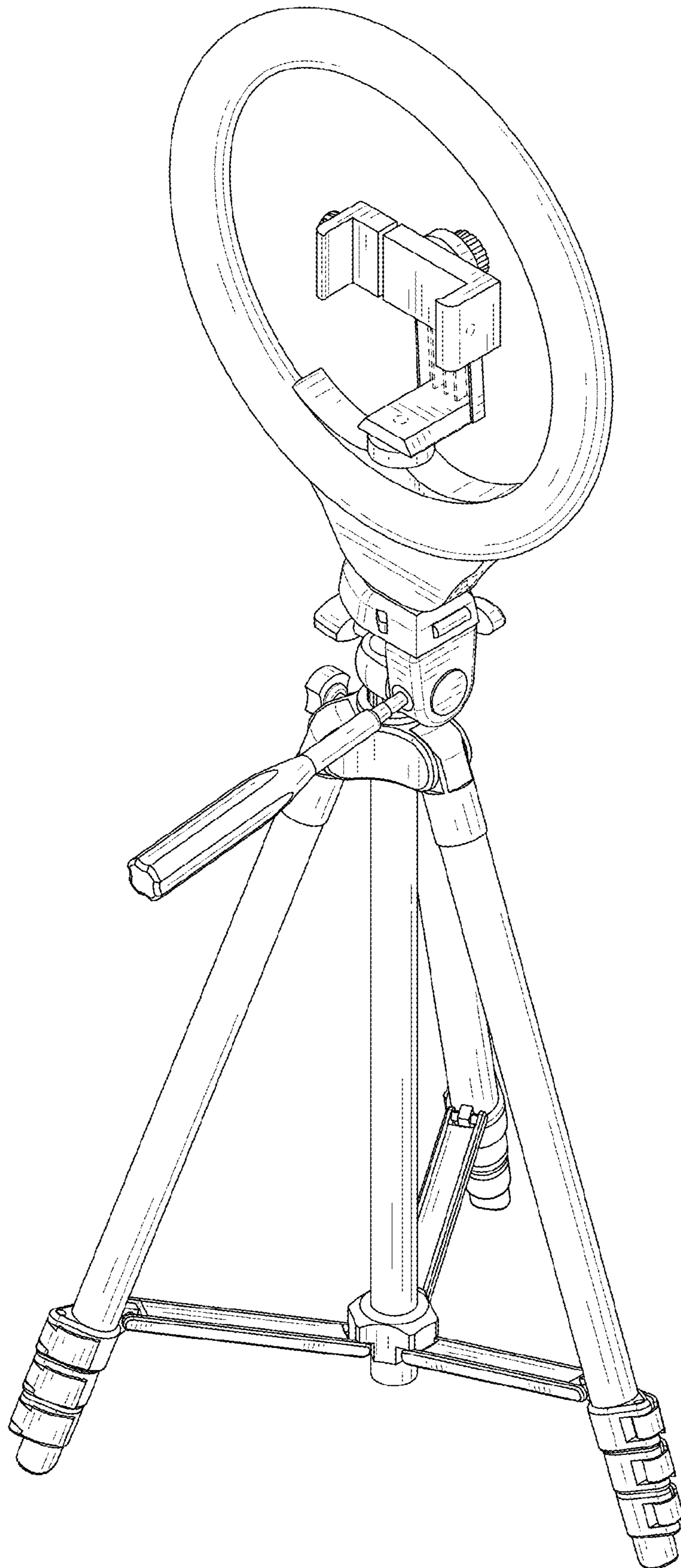


FIG. 3

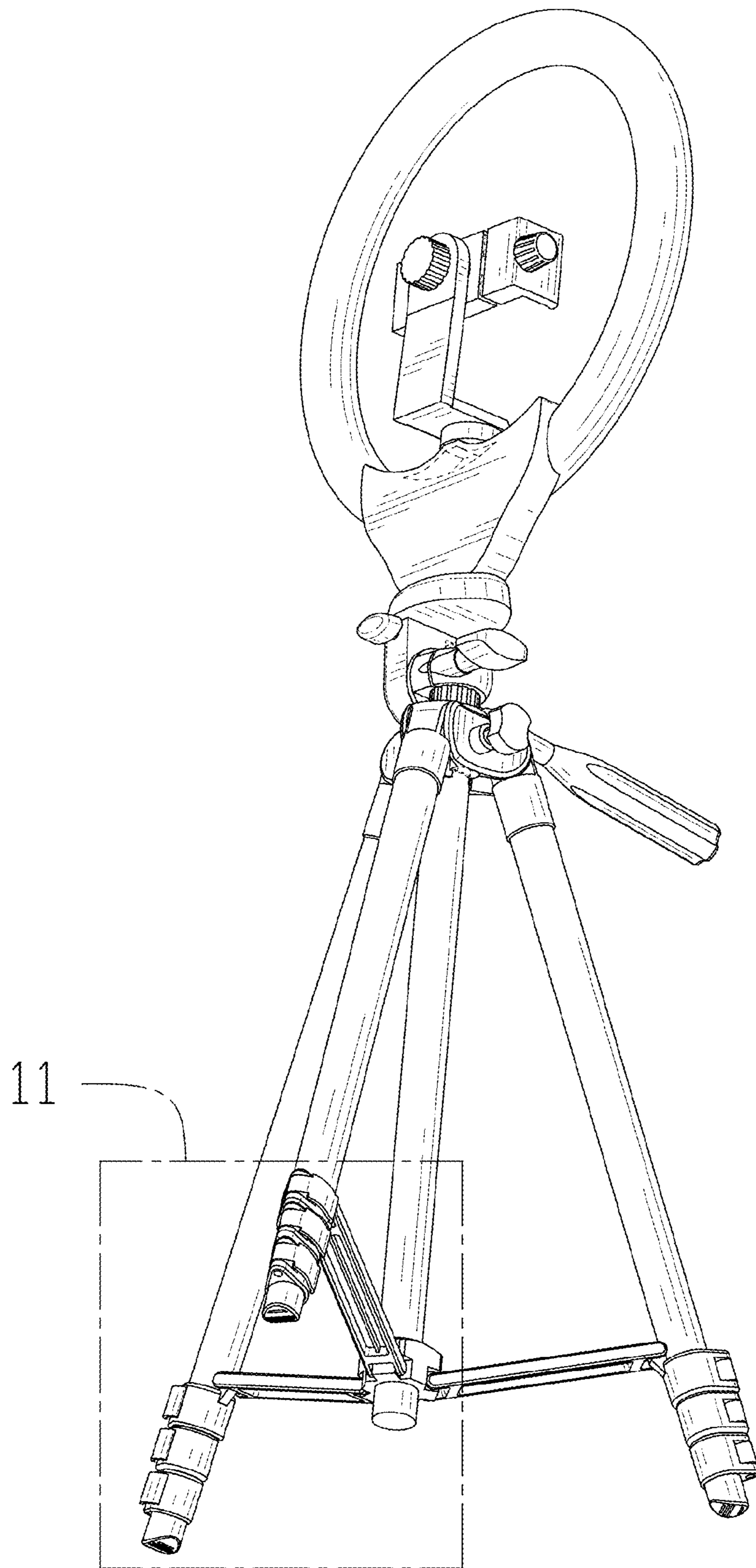


FIG. 4

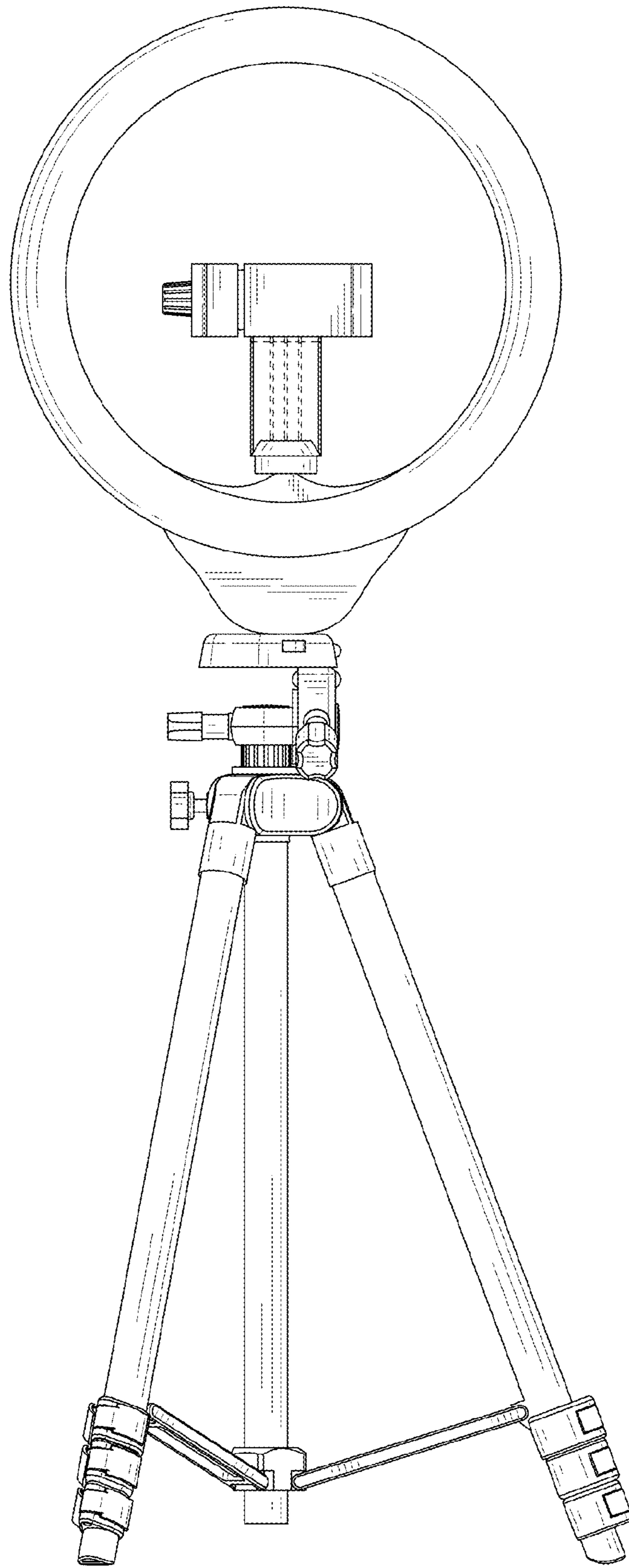


FIG. 5

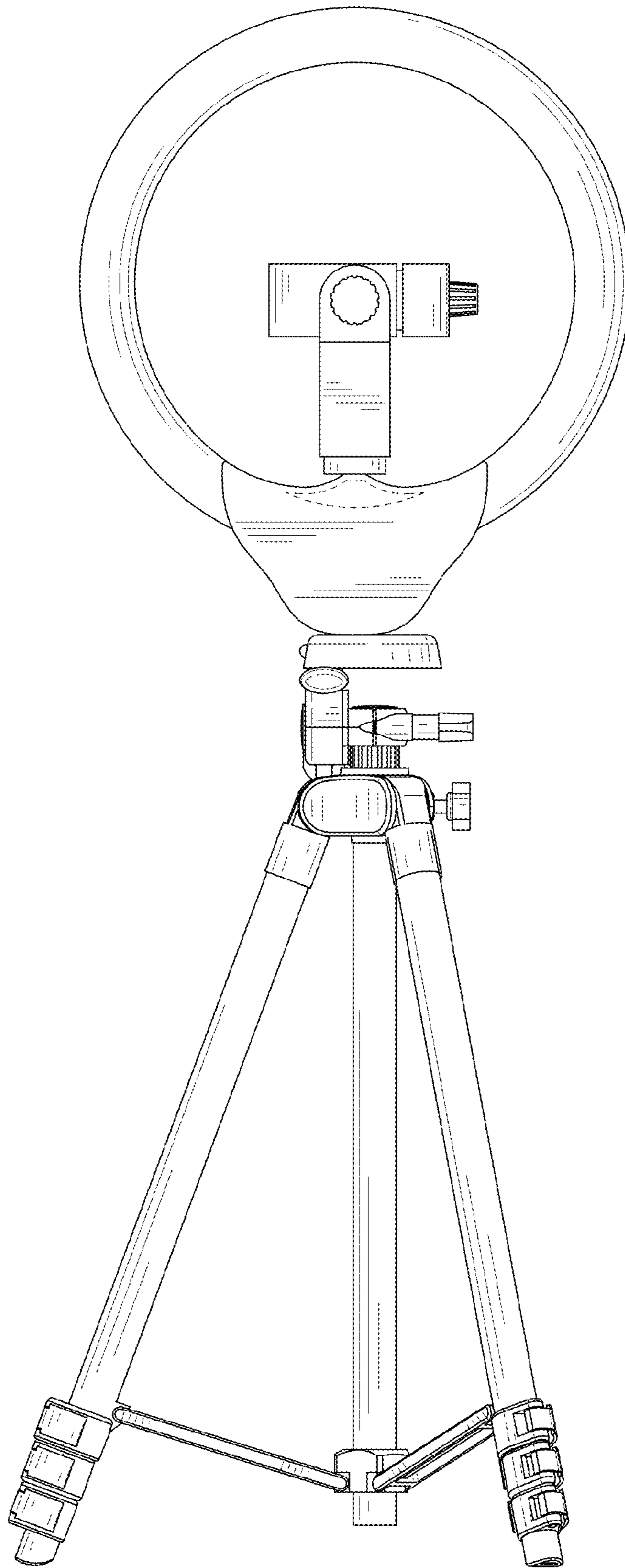


FIG. 6

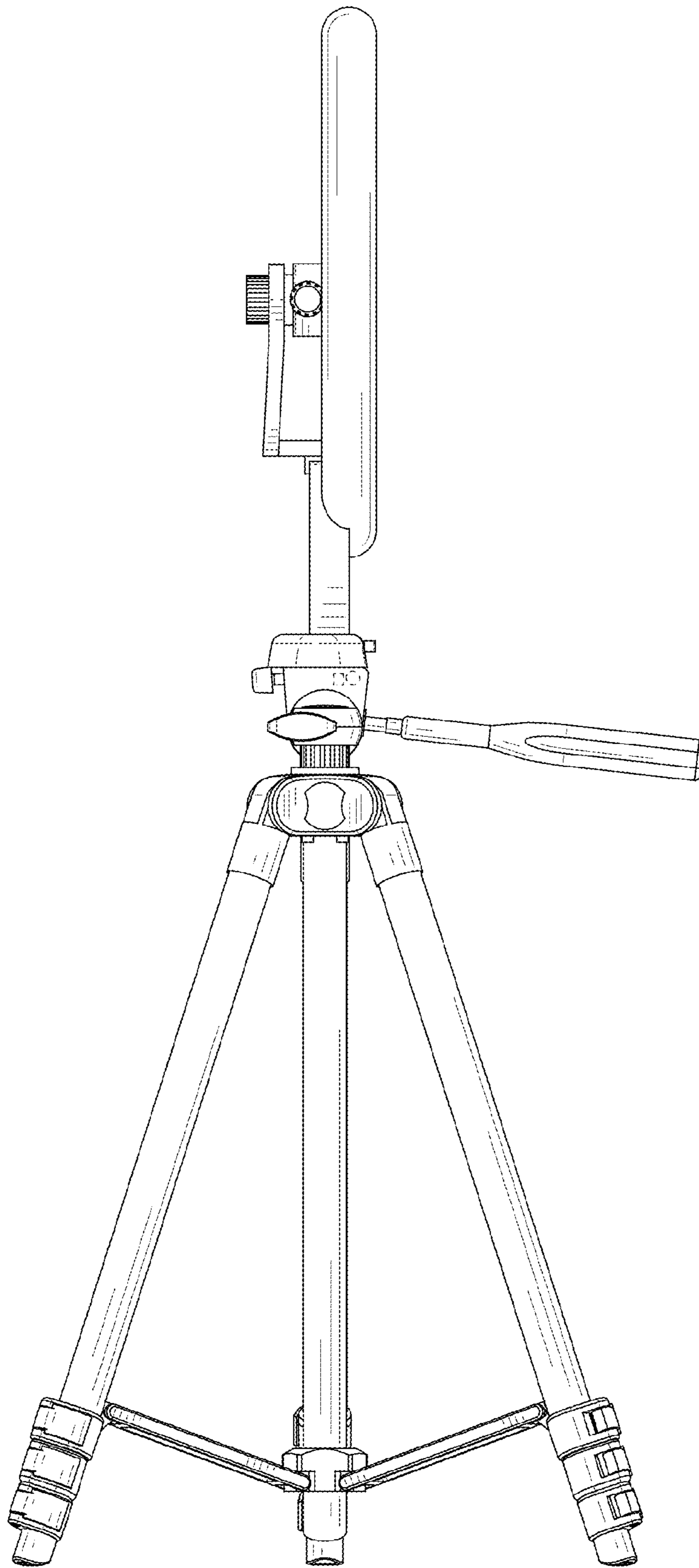


FIG. 7

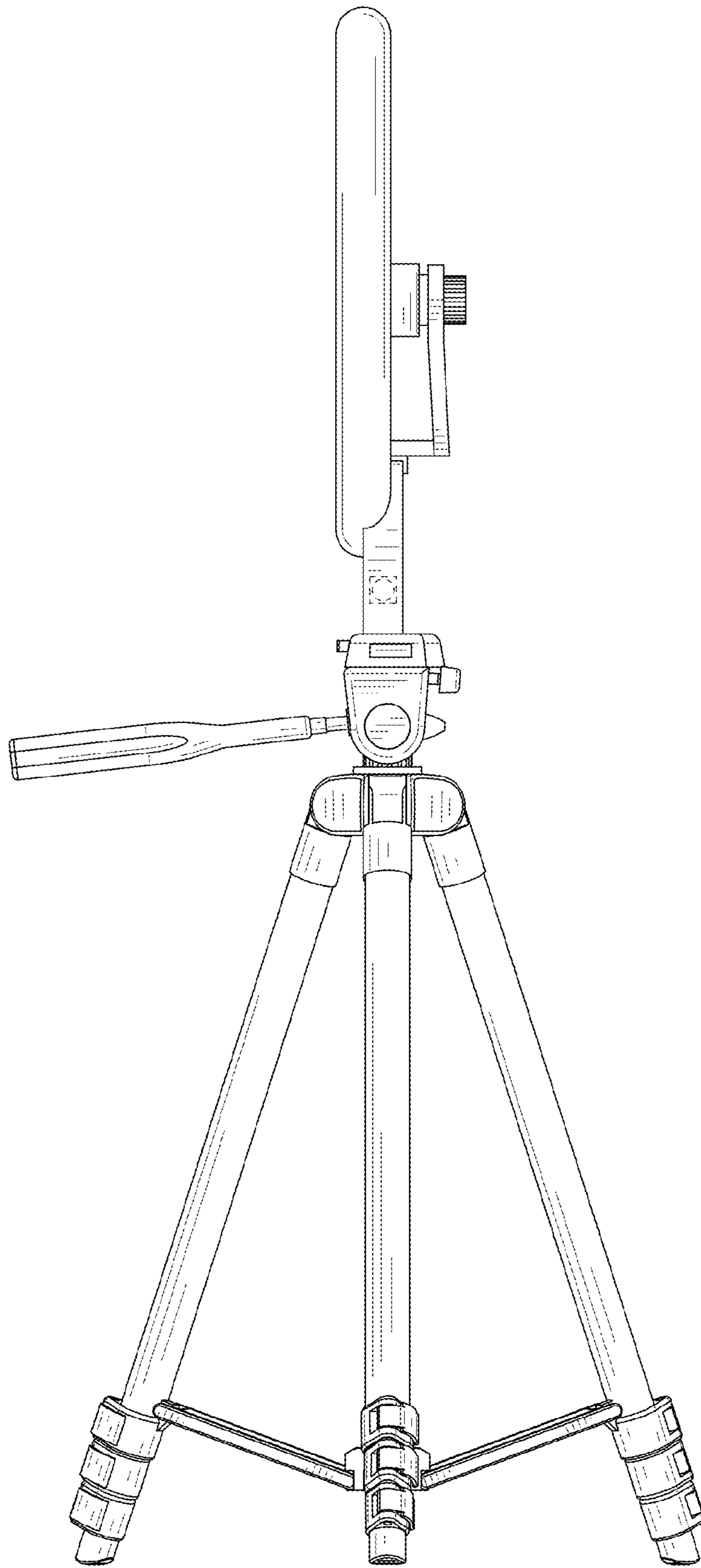


FIG. 8

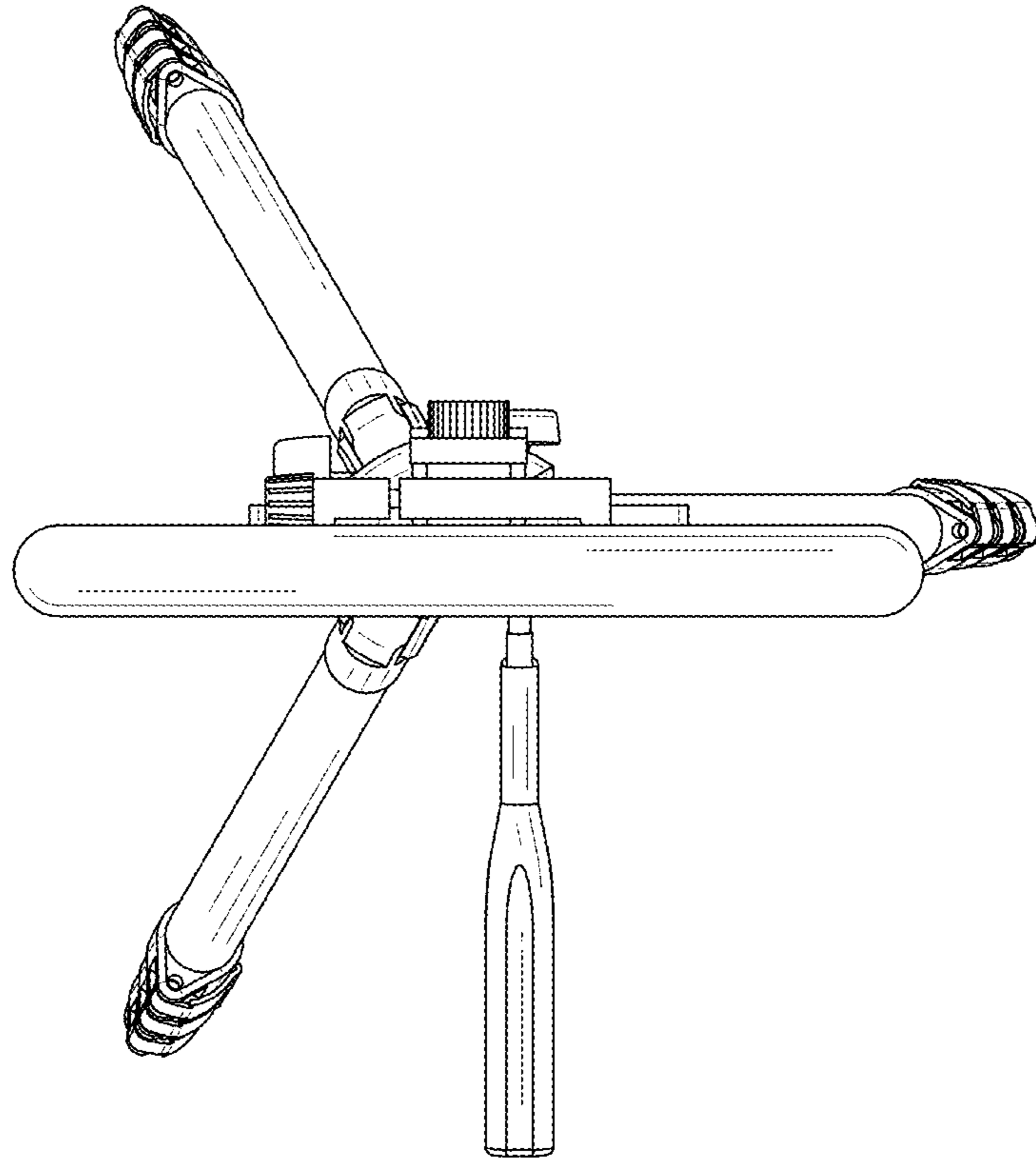


FIG. 9

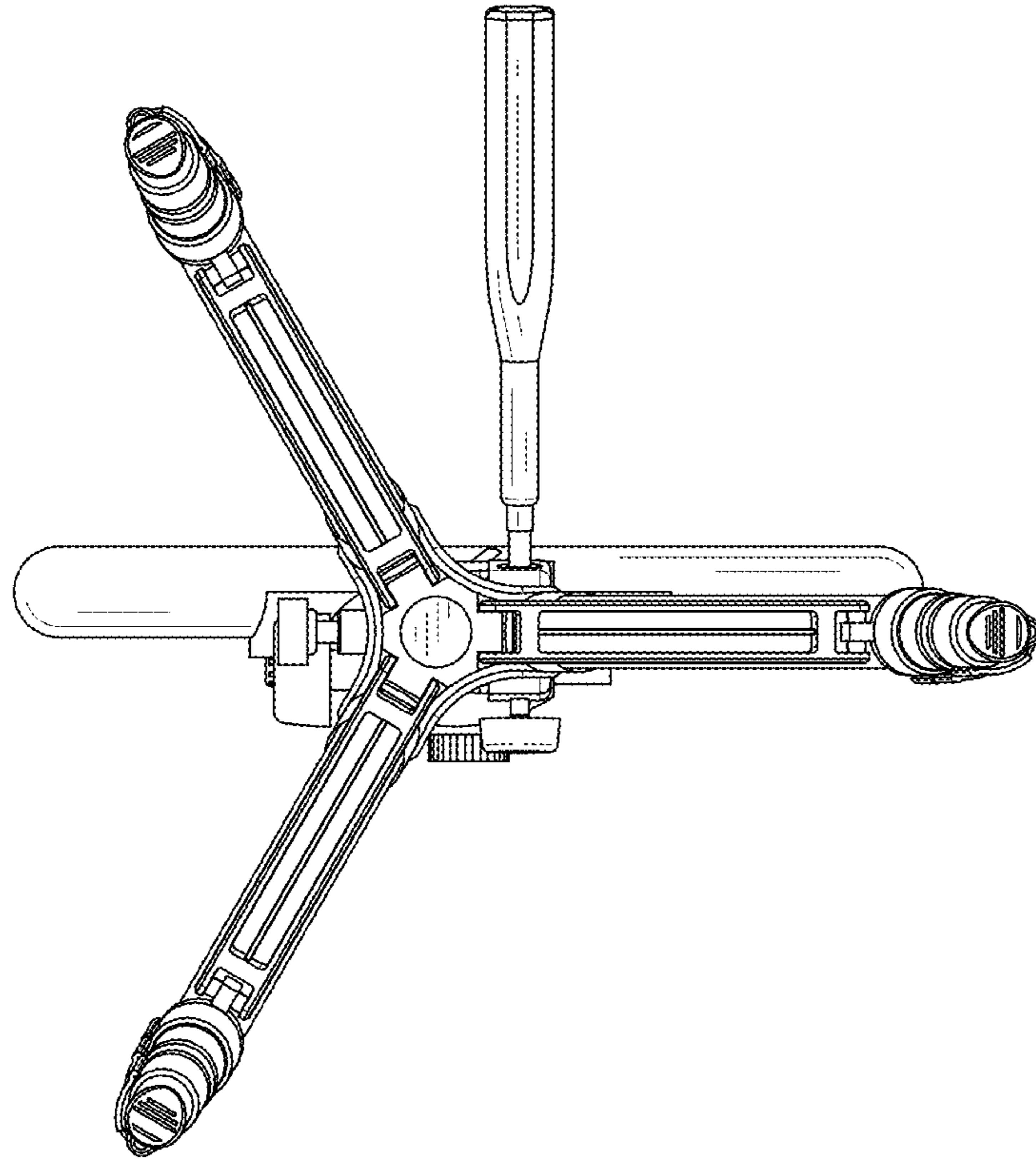


FIG. 10

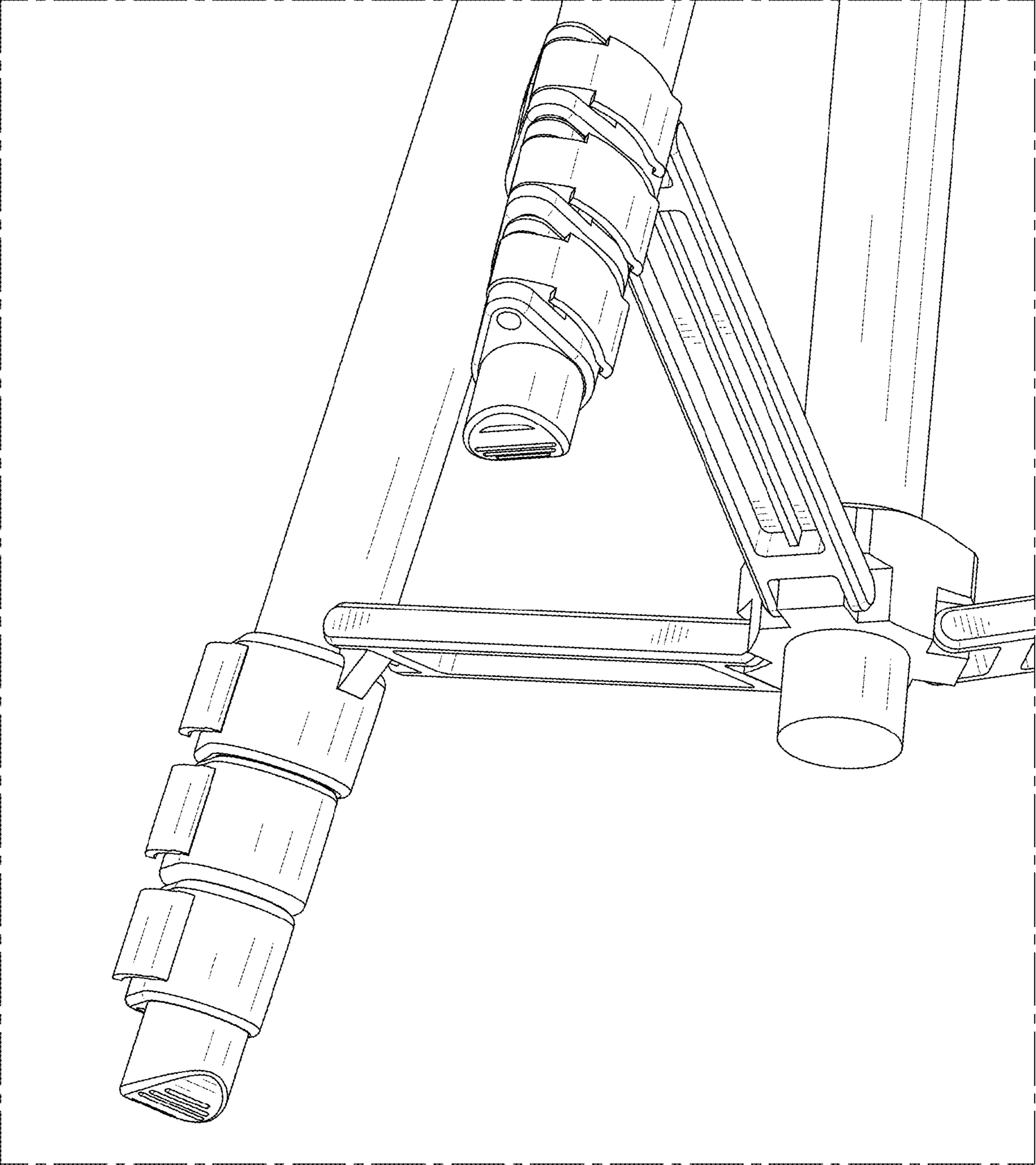


FIG. 11