



US00D927579S

(12) **United States Design Patent**  
**Matsuda et al.**

(10) **Patent No.:** **US D927,579 S**

(45) **Date of Patent:** **\*\* Aug. 10, 2021**

(54) **SCANNING MACHINE**

(71) Applicant: **FANUC CORPORATION**, Yamanashi (JP)

(72) Inventors: **Munekazu Matsuda**, Yamanashi (JP);  
**Satoru Kawai**, Yamanashi (JP)

(73) Assignee: **FANUC CORPORATION**, Yamanashi (JP)

(\*\*) Term: **15 Years**

(21) Appl. No.: **29/707,606**

(22) Filed: **Sep. 30, 2019**

(30) **Foreign Application Priority Data**

Apr. 1, 2019 (JP) ..... 2019-007071

(51) **LOC (13) Cl.** ..... **15-99**

(52) **U.S. Cl.**  
USPC ..... **D15/199**

(58) **Field of Classification Search**  
USPC ..... D10/46, 60, 104.1, 122, 125, 299;  
D15/122, 126, 199; D23/314, 317, 322,  
D23/329, 330, 341, 356, 499; D24/176;  
D99/99  
CPC ..... G05B 19/401; G05B 19/402  
See application file for complete search history.

(56) **References Cited**

**U.S. PATENT DOCUMENTS**

D323,173 S *	1/1992	Ishii	.....	D15/199
D327,740 S *	7/1992	Arioka	.....	D24/186
D800,121 S *	10/2017	Akers, Jr.	.....	D14/420
D810,801 S *	2/2018	Hsu	.....	D15/199
D815,158 S *	4/2018	Maguire	.....	D15/122
D841,068 S *	2/2019	Kim	.....	D15/199

D873,873 S *	1/2020	Sollberger	.....	D15/122
D886,874 S *	6/2020	Kan	.....	D15/9
D893,424 S *	8/2020	Ouyang	.....	D13/112
D900,183 S *	10/2020	Bengtsson	.....	D15/199
D906,390 S *	12/2020	Kapuria	.....	D15/199
D907,740 S *	1/2021	Xu	.....	D23/200

\* cited by examiner

*Primary Examiner* — Michael C Stout

*Assistant Examiner* — Fitzgerald L Butac

(74) *Attorney, Agent, or Firm* — Banner & Witcoff, Ltd.

(57) **CLAIM**

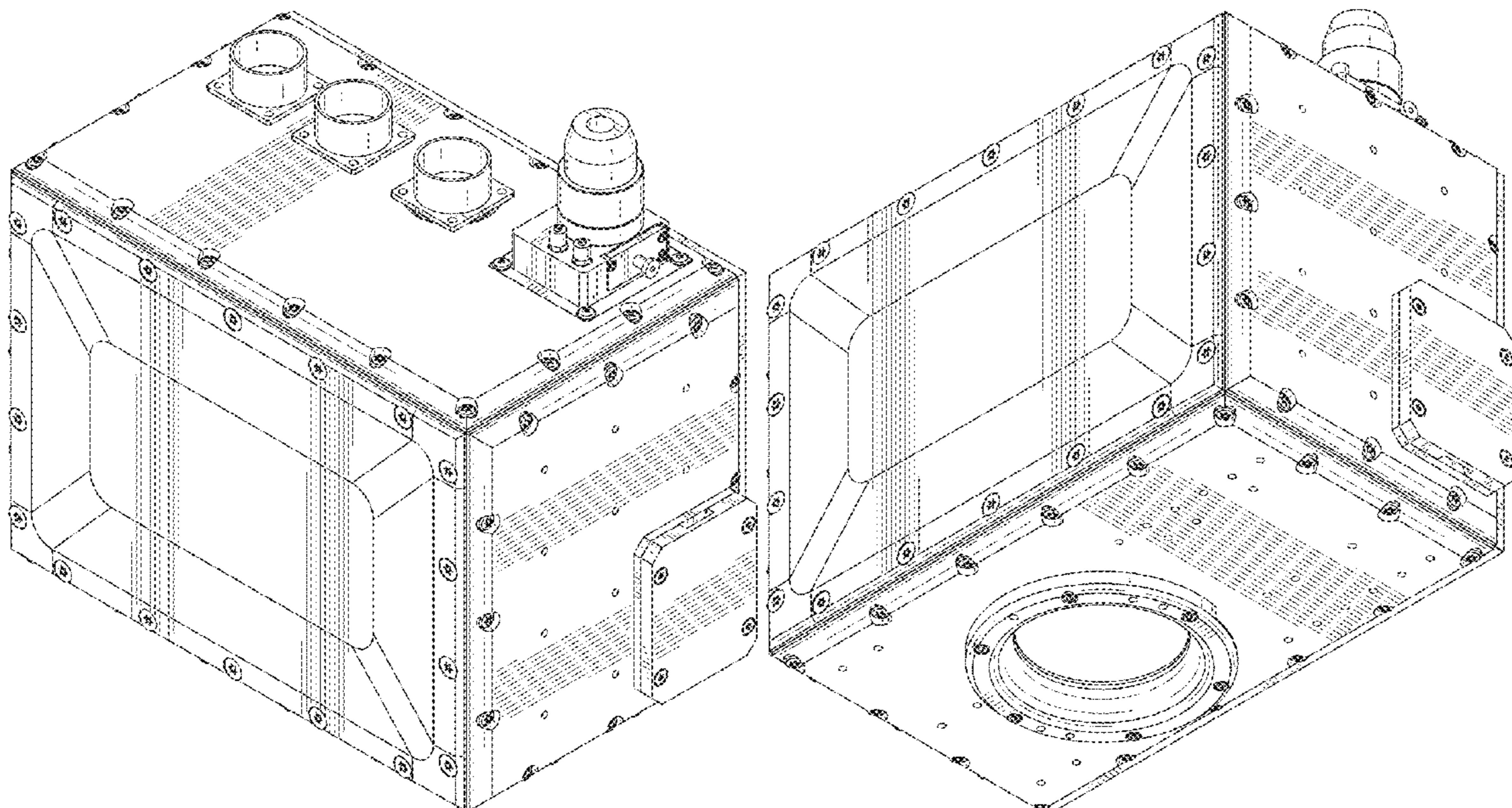
The ornamental design for a scanning machine, as shown and described.

**DESCRIPTION**

FIG. 1 is a first front perspective view of a scanning machine showing our new design;  
 FIG. 2 is a second front perspective view thereof;  
 FIG. 3 is a first rear perspective view thereof;  
 FIG. 4 is a second rear perspective view thereof;  
 FIG. 5 is a first bottom perspective view thereof;  
 FIG. 6 is a second bottom perspective view thereof;  
 FIG. 7 is a first rear perspective view thereof;  
 FIG. 8 is a second rear perspective view thereof;  
 FIG. 9 is a front view thereof;  
 FIG. 10 is a rear view thereof;  
 FIG. 11 is a right side view thereof;  
 FIG. 12 is a left side view thereof;  
 FIG. 13 is a top plan view thereof; and,  
 FIG. 14 is a bottom plan view thereof.

The line shading in the figures aid in the depiction of the surface shape of the scanning machine and does not represent ornamentation.

**1 Claim, 7 Drawing Sheets**



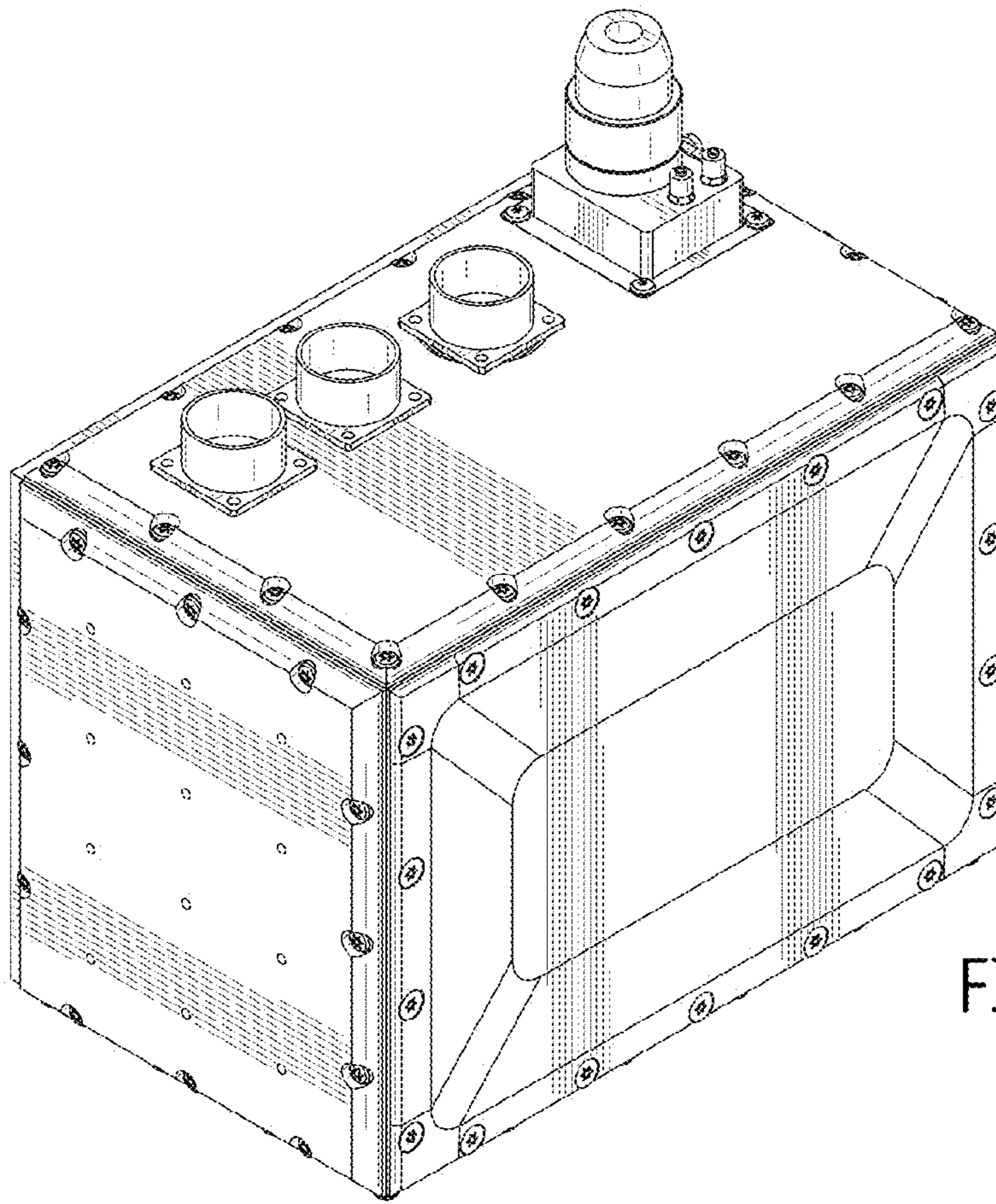


FIG. 1

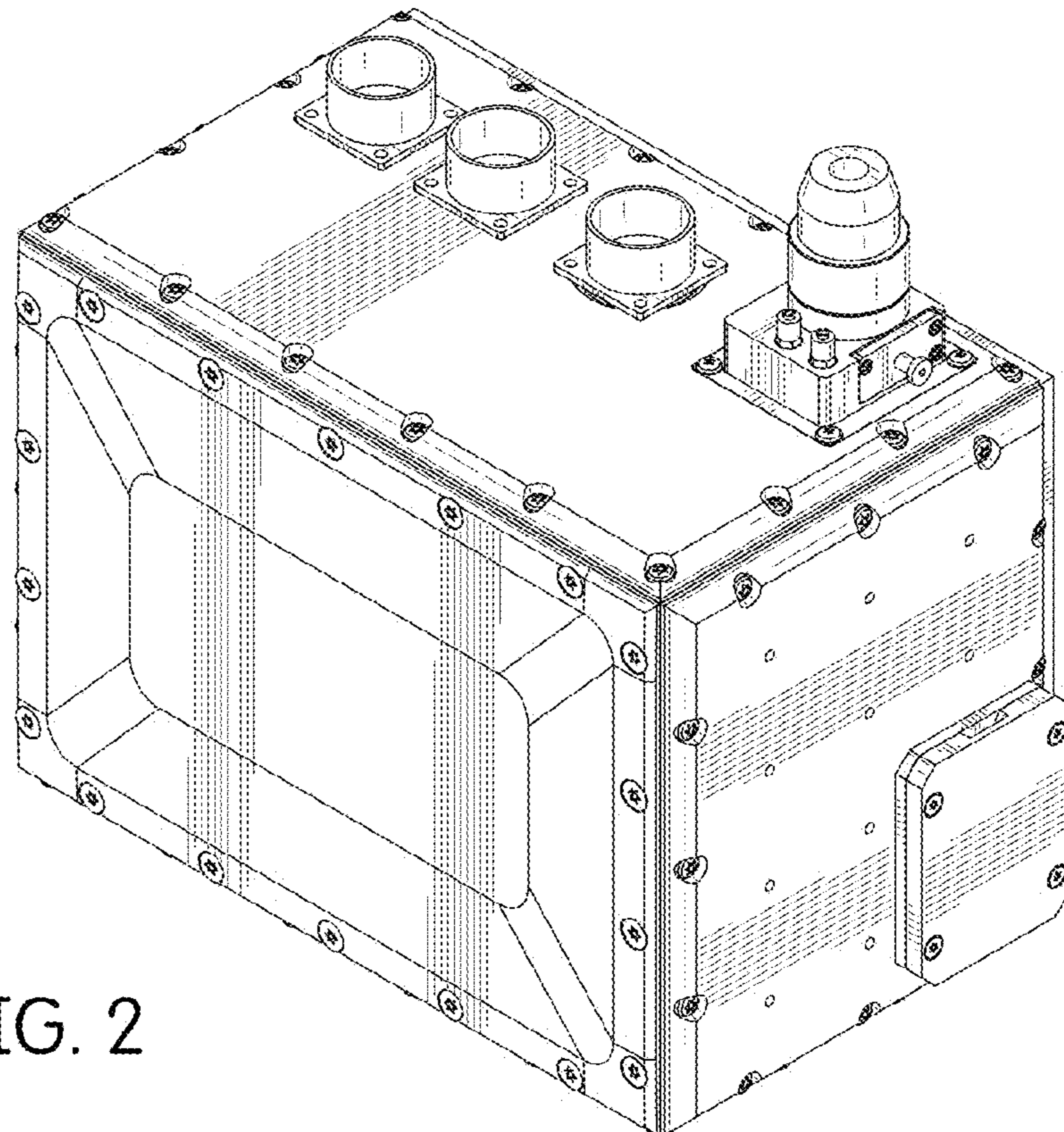


FIG. 2

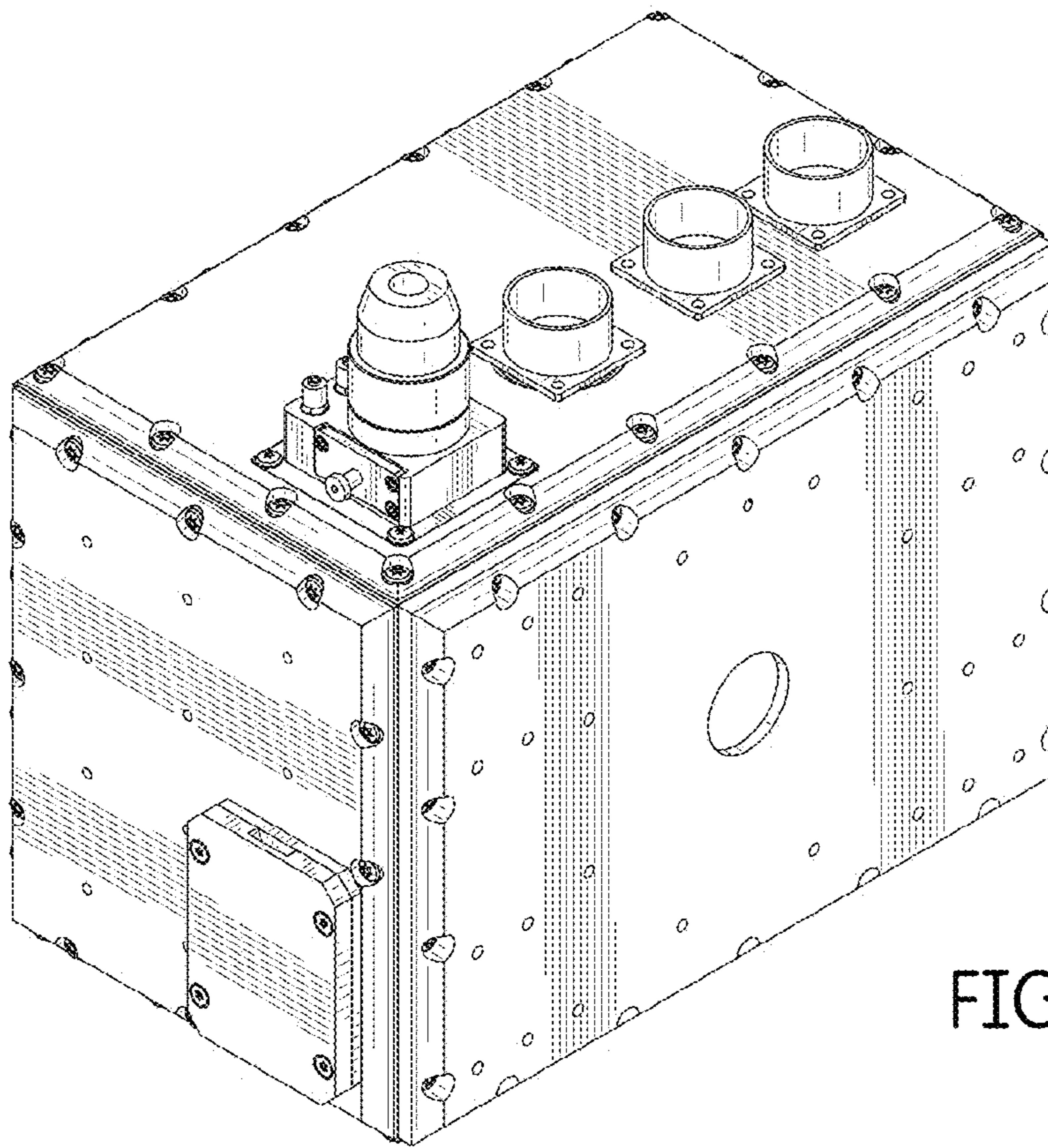


FIG. 3

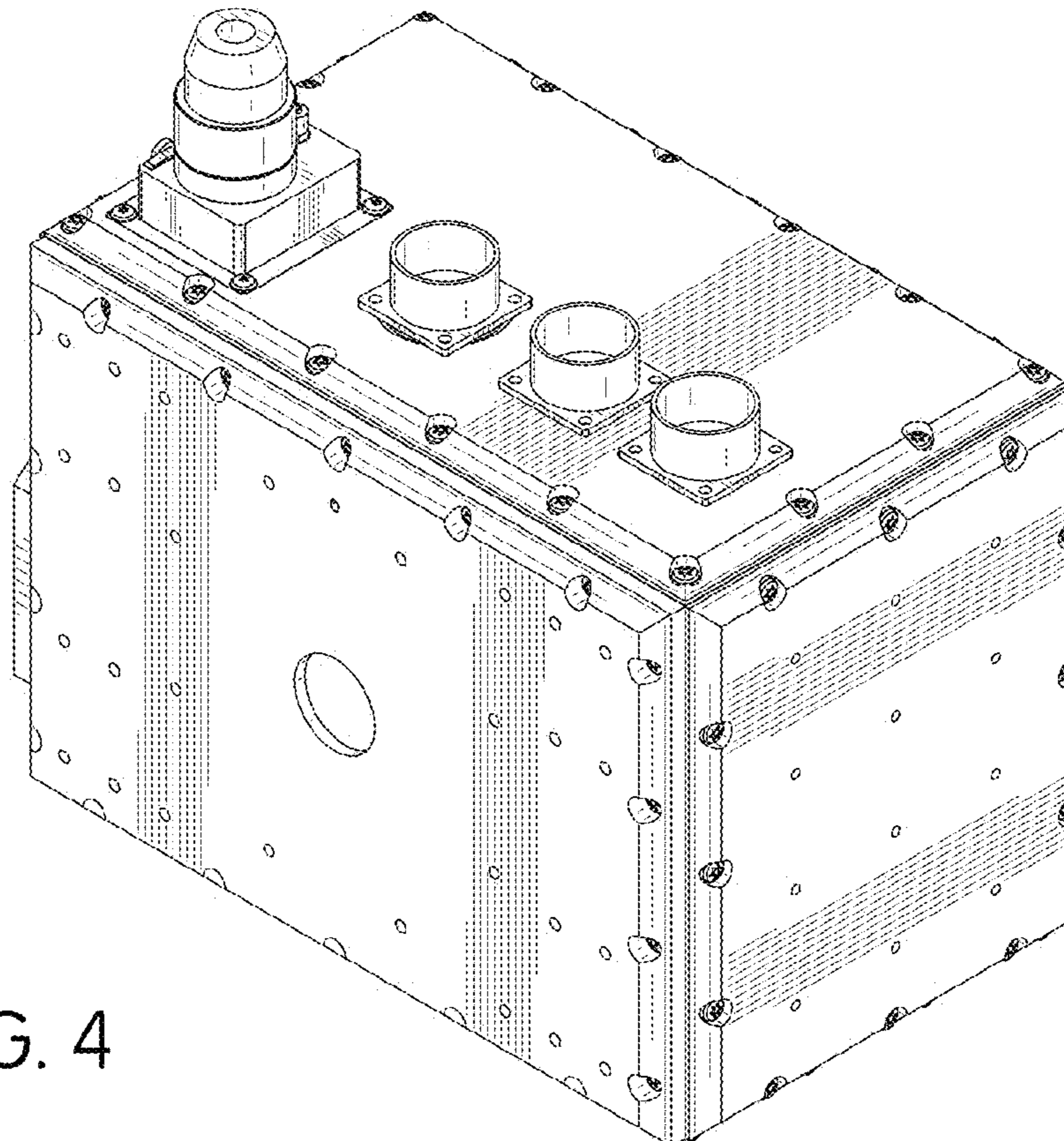


FIG. 4

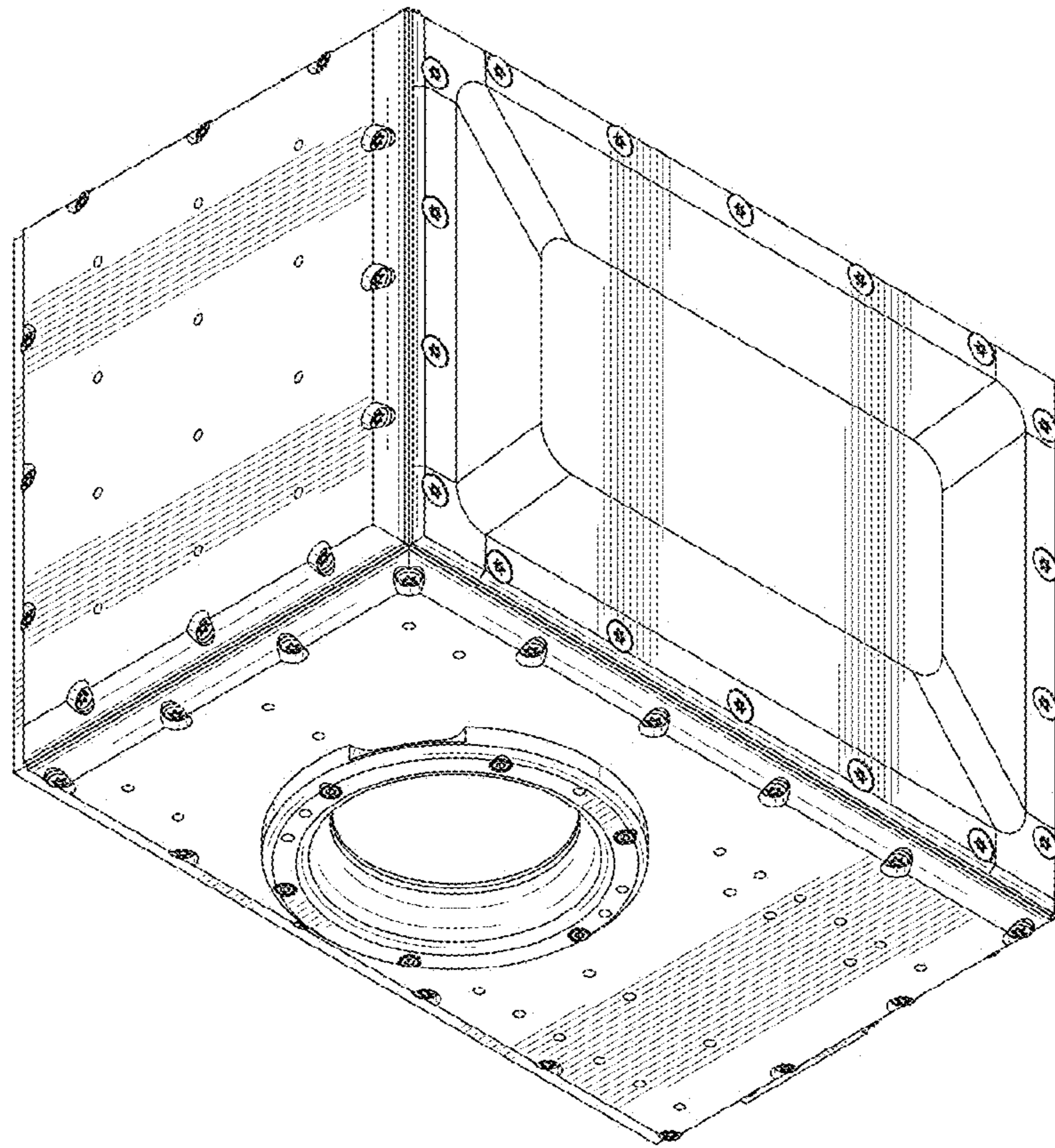


FIG. 5

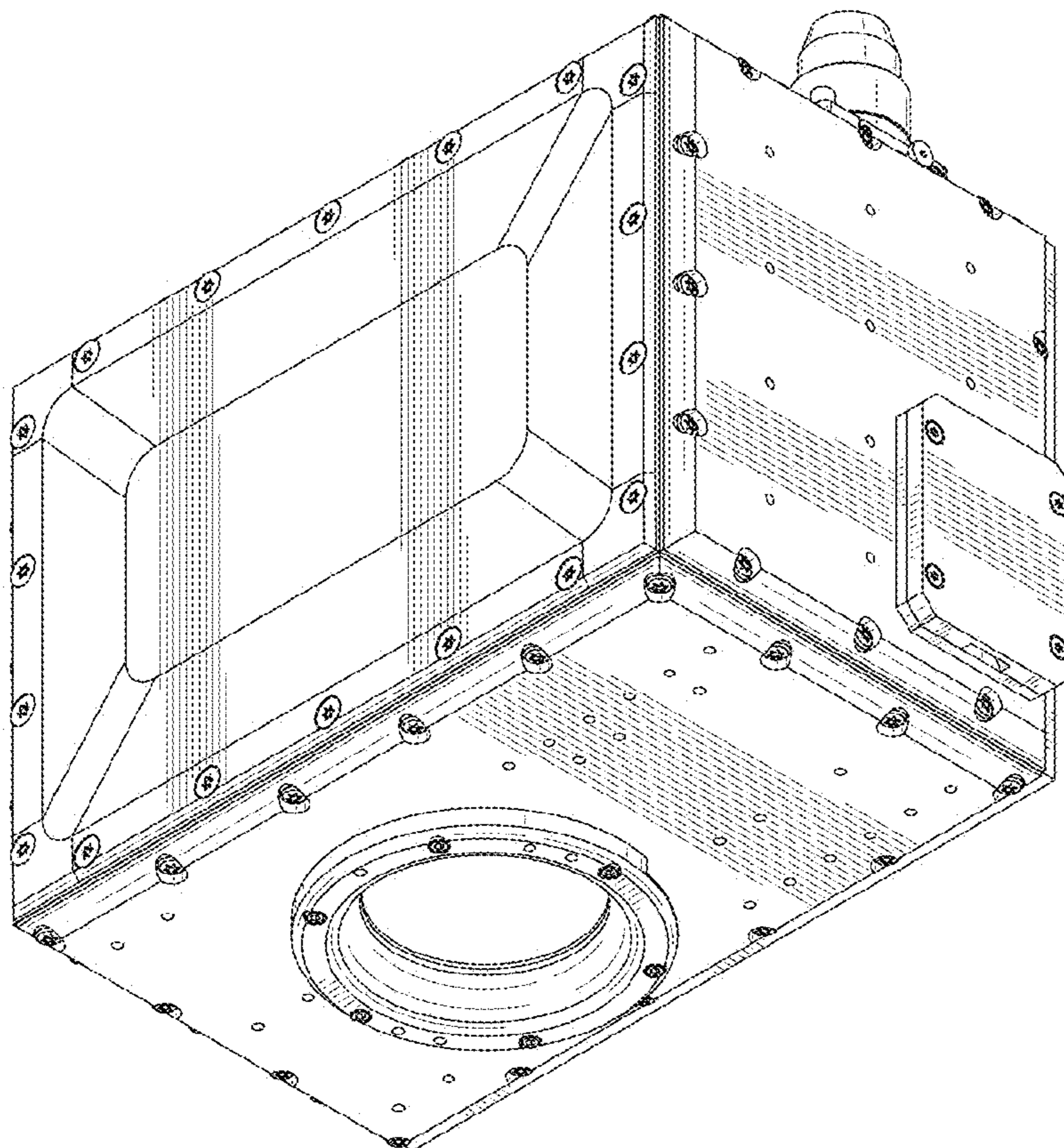


FIG. 6

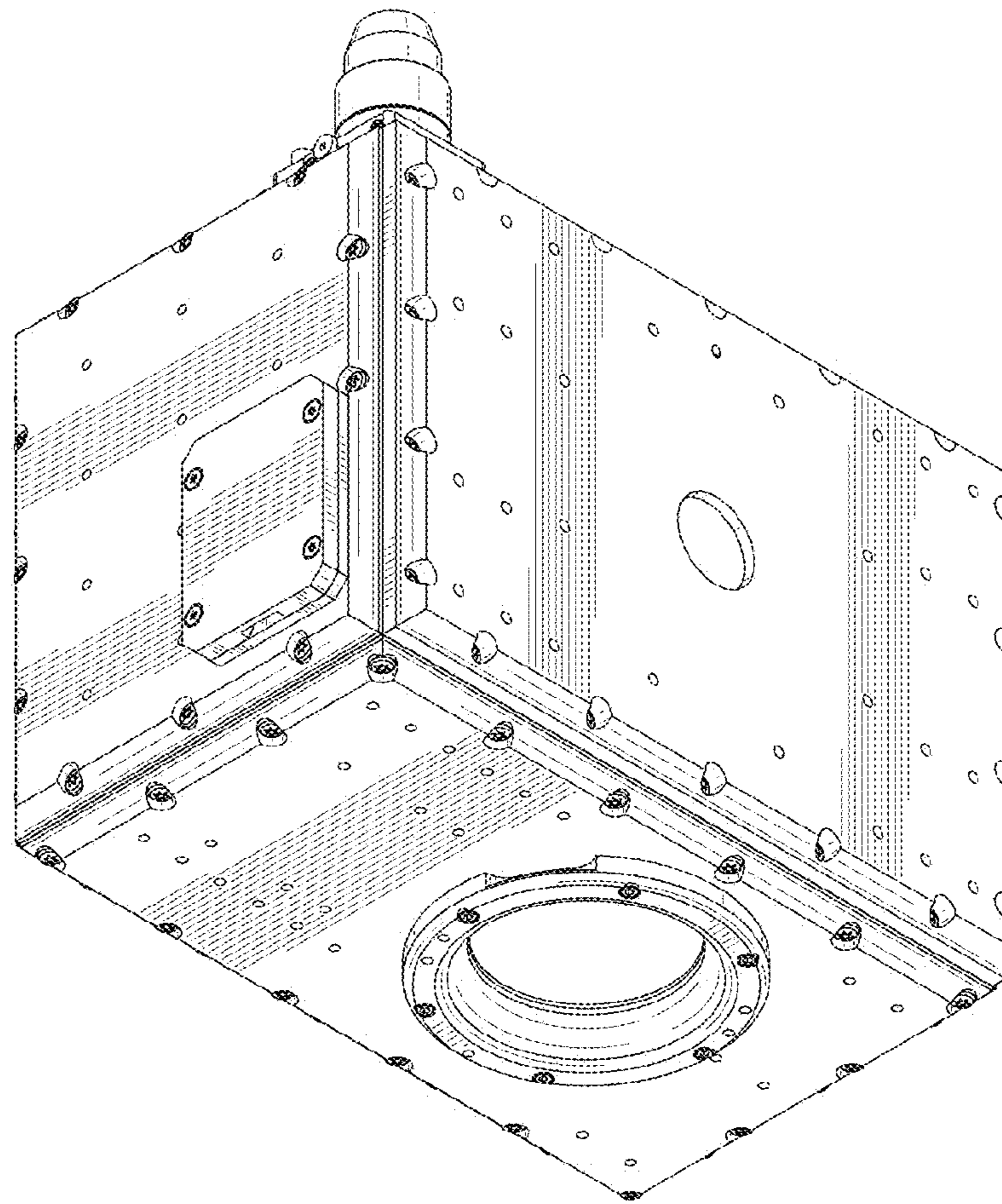


FIG. 7

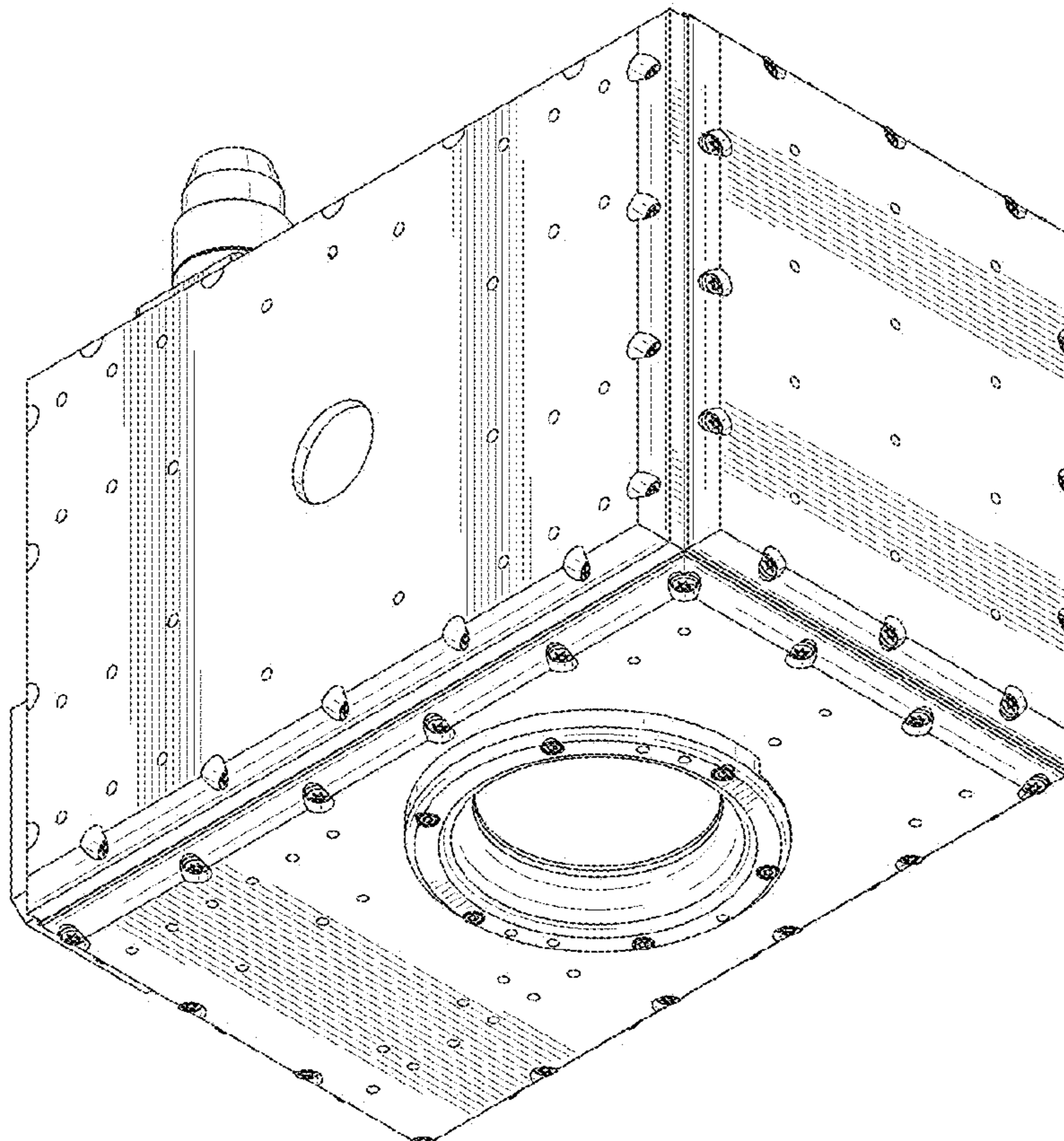


FIG. 8

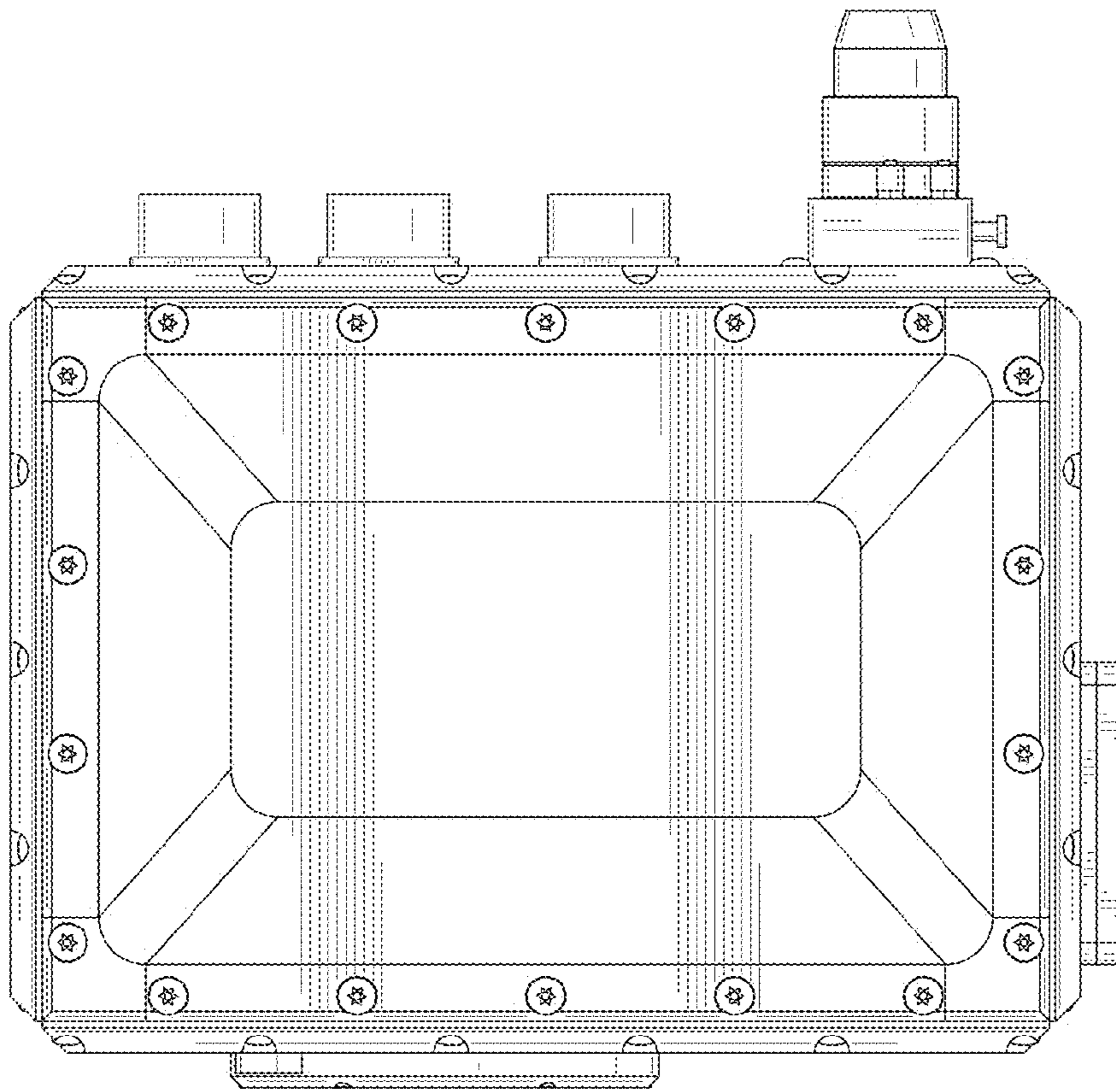


FIG. 9

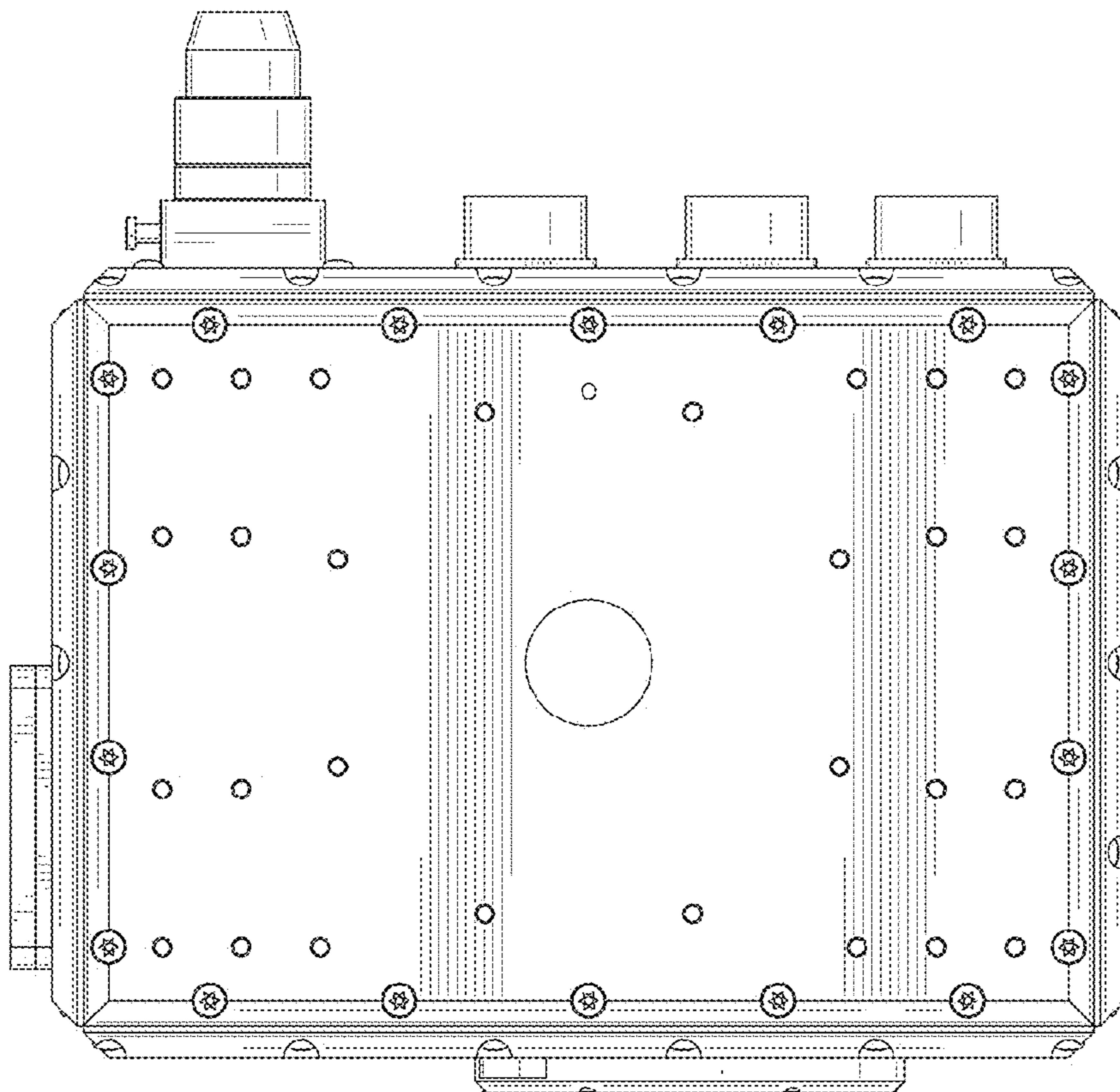


FIG. 10

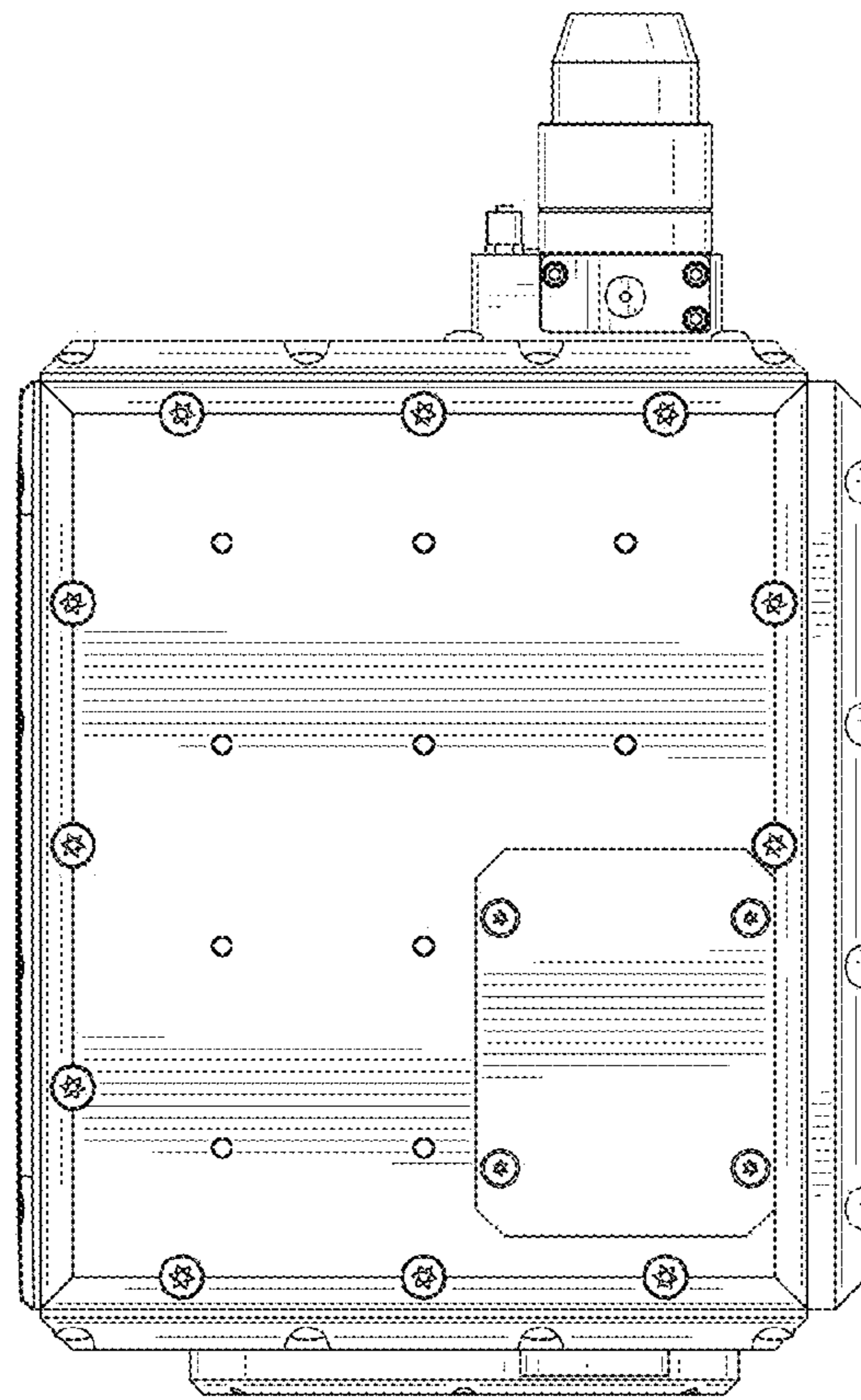


FIG. 11

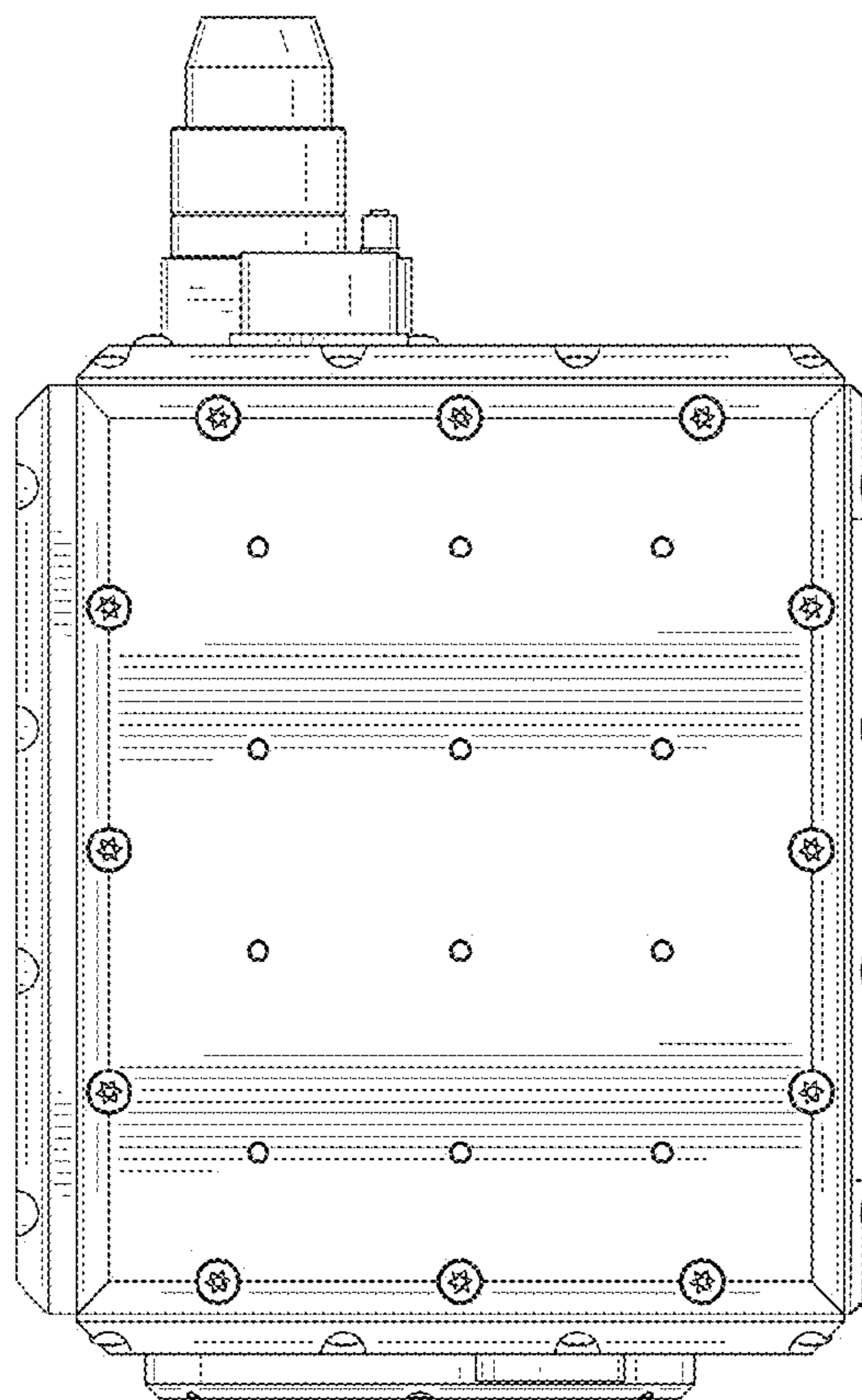


FIG. 12

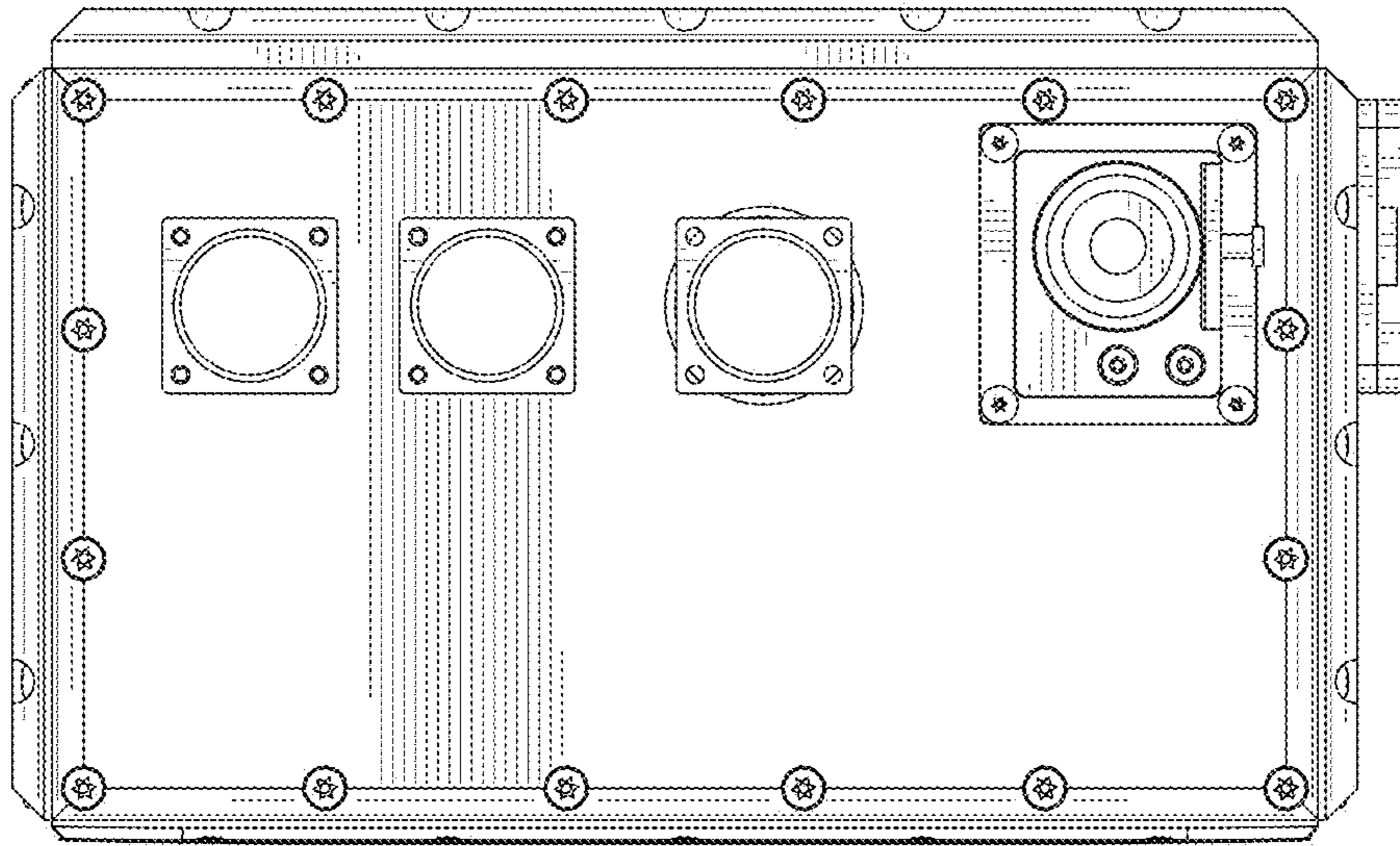


FIG. 13

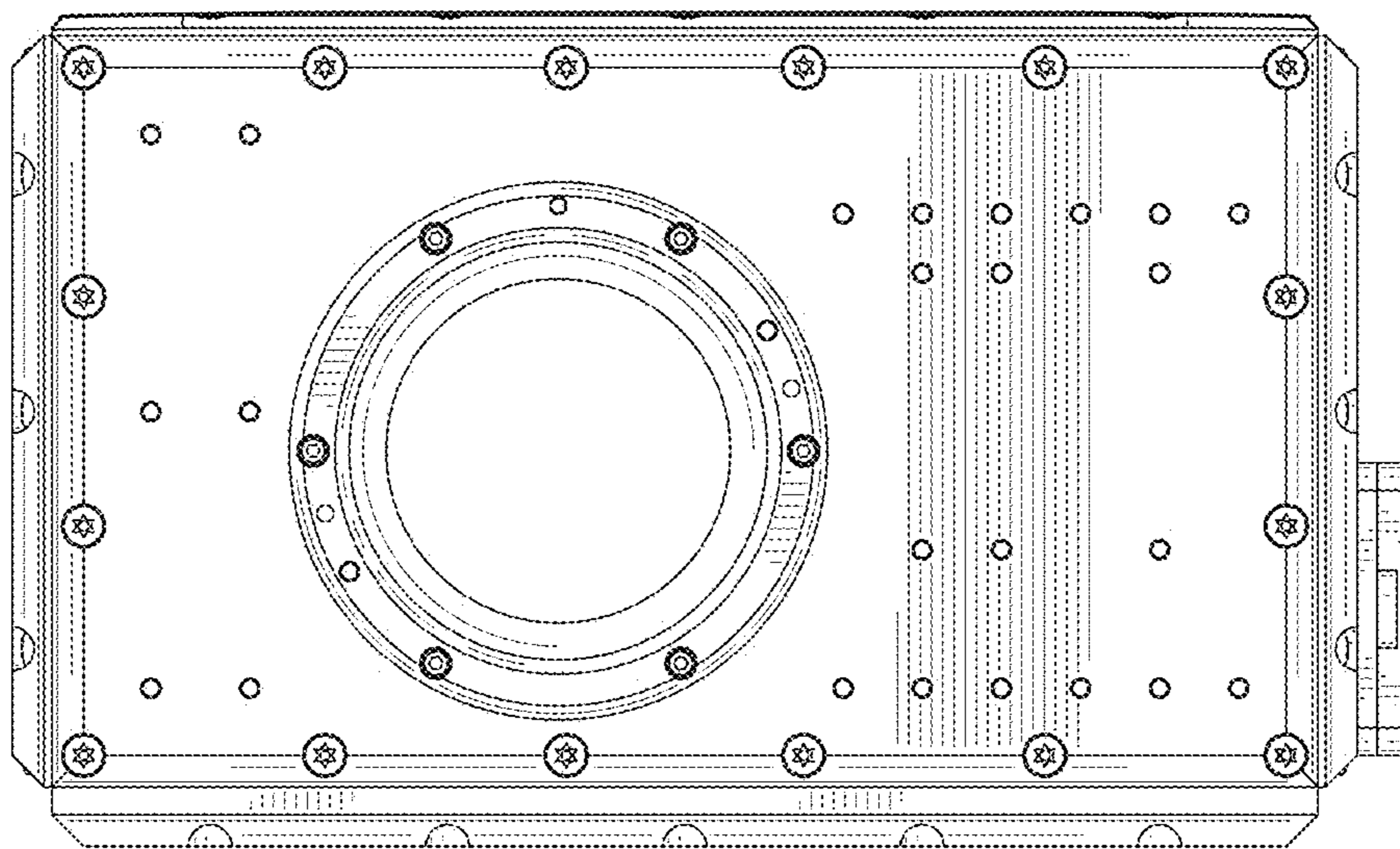


FIG. 14