



US00D927574S

(12) **United States Design Patent** (10) **Patent No.:** **US D927,574 S**
Koizumi et al. (45) **Date of Patent:** **** Aug. 10, 2021**

(54) **SPACER FOR INTERNAL COMBUSTION ENGINES**

Primary Examiner — Richard E Chilcot
(74) *Attorney, Agent, or Firm* — Leydig, Voit & Mayer, Ltd.

(71) Applicant: **KABUSHIKI KAISHA RIKEN**,
Tokyo (JP)

(57) **CLAIM**

The ornamental design for a space for internal combustion engines, as shown and described.

(72) Inventors: **Satoshi Koizumi**, Kashiwazaki (JP);
Hiroshi Shimizu, Kashiwazaki (JP)

DESCRIPTION

(73) Assignee: **KABUSHIKI KAISHA RIKEN**,
Tokyo (JP)

FIGURE 1.1 is a front view of a space for internal combustion engines of the present invention.

(**) Term: **15 Years**

FIGURE 1.2 is a rear view thereof.

(21) Appl. No.: **35/508,682**

FIGURE 1.3 is a top plan view thereof.

(22) Filed: **Jul. 4, 2019**

FIGURE 1.4 is a bottom plan view thereof.

(80) **Hague Agreement Data**

Int. Filing Date: **Jul. 4, 2019**

Int. Reg. No.: **DM/206028**

Int. Reg. Date: **Jul. 4, 2019**

Int. Reg. Pub. Date: **Feb. 28, 2020**

FIGURE 1.5 is a right side view thereof.

FIGURE 1.6 is a left side view thereof.

(30) **Foreign Application Priority Data**

Jan. 10, 2019 (JP) 2019-000368

(51) **LOC (13) Cl.** **15-09**

(52) **U.S. Cl.**
USPC **D15/143**

(58) **Field of Classification Search**
USPC D15/5, 123, 143, 199; D8/354, 580, 614,
D8/619, 470, 572, 577, 578, 623, 275,
(Continued)

FIGURE 1.7 is a front perspective view of the right side of FIGURE 1.1.

FIGURE 1.8 is a front perspective view showing a state in which FIGURE 1.7 is rotated 90 degrees clockwise.

FIGURE 1.9 is a rear perspective view of the right side of FIGURE 1.2.

FIGURE 1.10 is a rear perspective view showing a state in which FIGURE 1.9 is rotated 90 degrees clockwise.

FIGURE 1.11 is an enlarged view defined by the circle 1.11 of FIGURE 1.4.

FIGURE 1.12 is an enlarged view defined by the circle 1.12 of FIGURE 1.1.

FIGURE 1.13 is an enlarged view defined by the circle 1.13 of FIGURE 1.2.

FIGURE 1.14 is an enlarged view defined by the circle 1.14 of FIGURE 1.3.

FIGURE 1.15 is an enlarged view defined by the circle 1.15 of FIGURE 1.5.

FIGURE 1.16 is an enlarged view defined by the circle 1.16 of FIGURE 1.7.

FIGURE 1.17 is an enlarged view defined by the circle 1.17 of FIGURE 1.8.

FIGURE 1.18 is an enlarged view defined by the circle 1.18 of FIGURE 1.9.

FIGURE 1.19 is an enlarged view defined by the circle 1.19 of FIGURE 1.10.

(56) **References Cited**

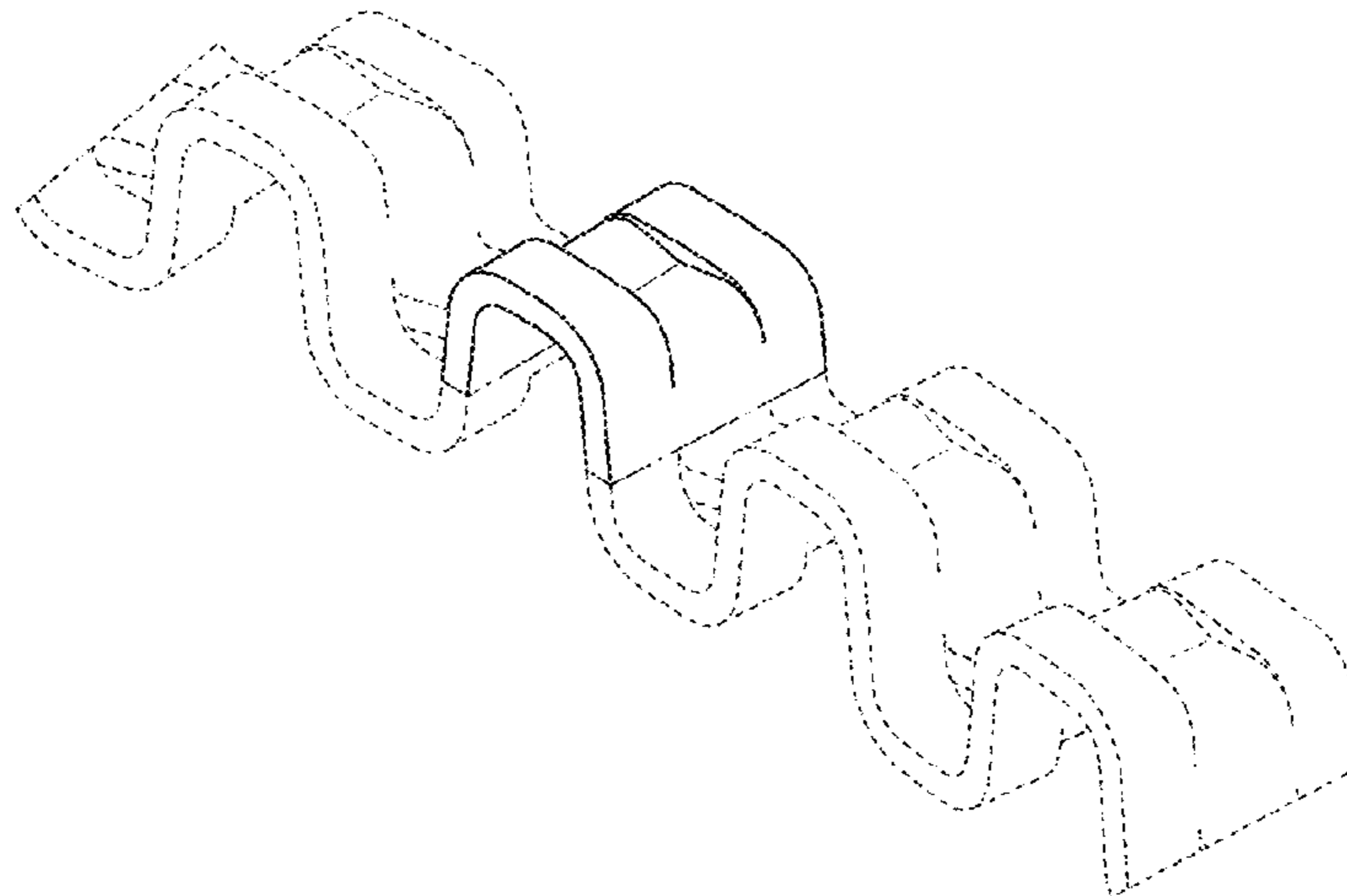
U.S. PATENT DOCUMENTS

2,049,040 A * 7/1936 Baker F16C 33/547
384/577

2,454,028 A * 11/1948 Baker F16C 19/305
384/623

(Continued)

(Continued)



The dash-dash broken lines depict portions of the space for internal combustion engines which form no part of the claimed design and the dot-dash-dot broken lines depict the boundary of the claimed design and form no part thereof.

1 Claim, 19 Drawing Sheets

(52) **U.S. Cl.**

CPC *F16C 33/6681* (2013.01)

(58) **Field of Classification Search**

USPC D8/294, 295, 284, 289, 303–305, 368,
D8/454, 456, 594, 266, 267, 423, 222,
D8/258, 273, 274, 300, 412, 428, 523,
D8/526, 531, 532, 537, 588, 609;
29/481, 898.067, 898

CPC F16C 33/6681; F16C 33/542;
F16C 33/4676; F16C 33/502; F16C
33/6629; F16C 33/541; F16C 33/547;
F16C 2226/78; F16C 19/364; F16C
2300/02; F16C 2226/52

See application file for complete search history.

(56)

References Cited

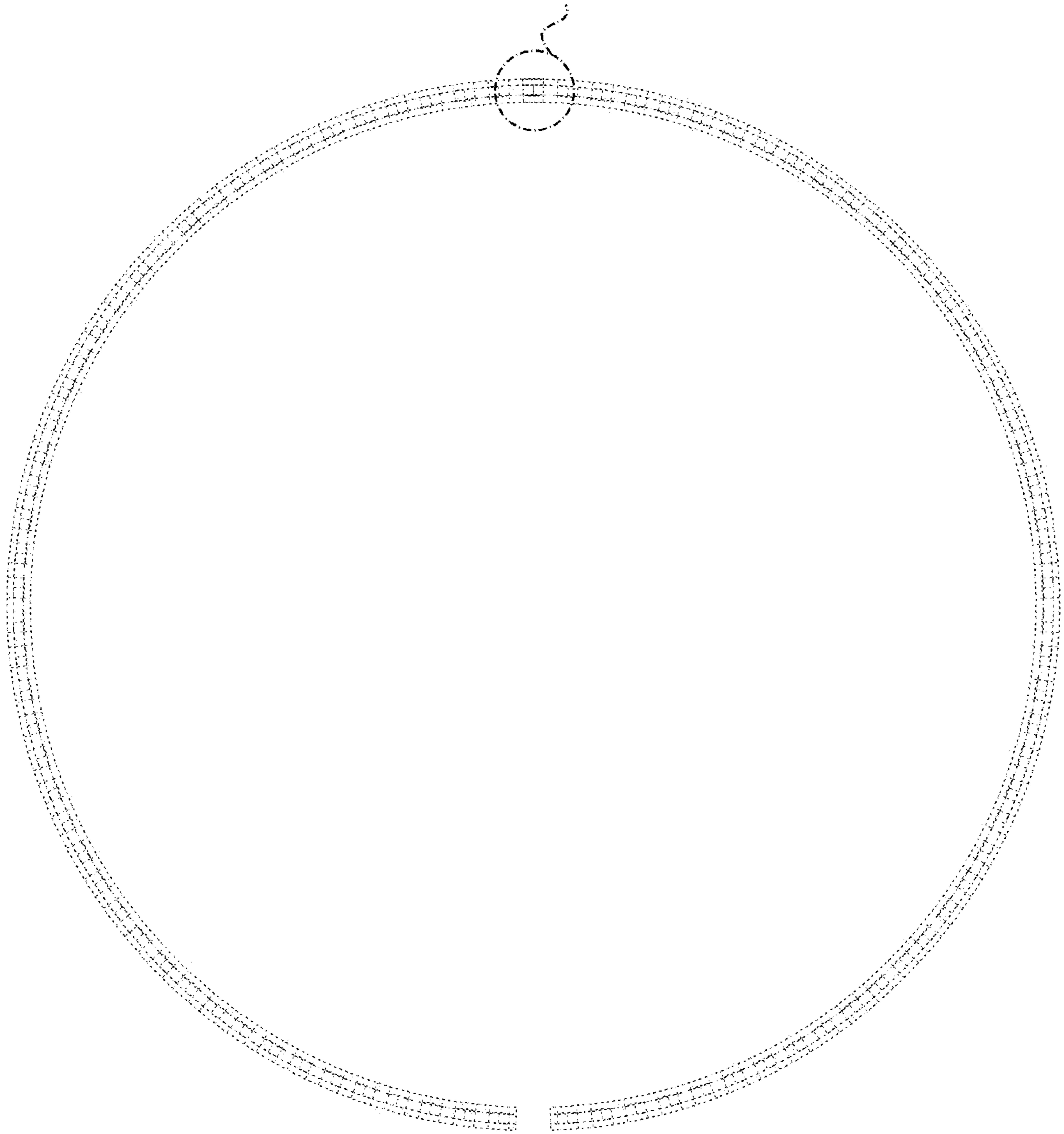
U.S. PATENT DOCUMENTS

3,256,585 A * 6/1966 Ripple F16C 33/4664
29/898.067
3,876,267 A * 4/1975 Schaeffler B29C 45/2628
384/623
4,122,589 A * 10/1978 Grimm B21D 53/12
29/898.067
4,425,011 A * 1/1984 Cunningham F16C 33/4635
384/571
4,824,265 A * 4/1989 Hofmann F16C 19/364
384/560
5,033,878 A * 7/1991 Tsuji F16C 33/6681
384/576
5,255,985 A * 10/1993 Alling F16C 33/546
384/470
5,626,426 A * 5/1997 Honda F16C 23/086
384/568

5,630,668 A * 5/1997 Ikezawa F16C 19/30
384/527
D444,802 S * 7/2001 Dyson D15/143
6,883,968 B2 * 4/2005 Fugel F16C 33/546
384/577
7,033,083 B2 * 4/2006 Obayashi F16C 33/48
384/619
7,114,854 B2 * 10/2006 Hayashi F16C 33/541
384/623
7,722,257 B2 * 5/2010 Tabata F16C 43/08
384/571
8,177,438 B2 * 5/2012 Waseda F16C 33/565
384/621
8,303,191 B2 * 11/2012 Albrecht F16C 33/4611
384/572
D690,748 S * 10/2013 Hosmer F16C 33/6614
D15/143
8,616,776 B2 * 12/2013 Nakamura F16C 33/6681
384/470
8,814,437 B2 * 8/2014 Braun F16C 33/46
384/572
D713,434 S * 9/2014 Nishikawa D15/143
8,876,400 B2 * 11/2014 Kanou F16C 19/305
384/622
8,894,294 B2 * 11/2014 Durney F16C 33/6681
384/578
8,911,155 B2 * 12/2014 Onizuka F16C 33/4682
384/623
8,985,860 B2 * 3/2015 Honjo F16C 33/485
384/576
8,998,498 B2 * 4/2015 Mizuki F16C 33/4635
384/470
9,033,585 B2 * 5/2015 Hewitt F16C 33/4682
384/572
9,039,288 B2 * 5/2015 Takeuchi F16C 33/4682
384/572
9,039,290 B2 * 5/2015 Takahashi F16C 33/4682
384/623
9,140,303 B2 * 9/2015 Dittmar F16C 33/46
9,163,659 B2 * 10/2015 Sato F16C 33/546
9,206,847 B2 * 12/2015 Peterson F16C 33/60
9,217,470 B2 * 12/2015 Beck F16C 43/04
D771,166 S * 11/2016 Koganei D15/143
D824,967 S * 8/2018 Getto D15/143

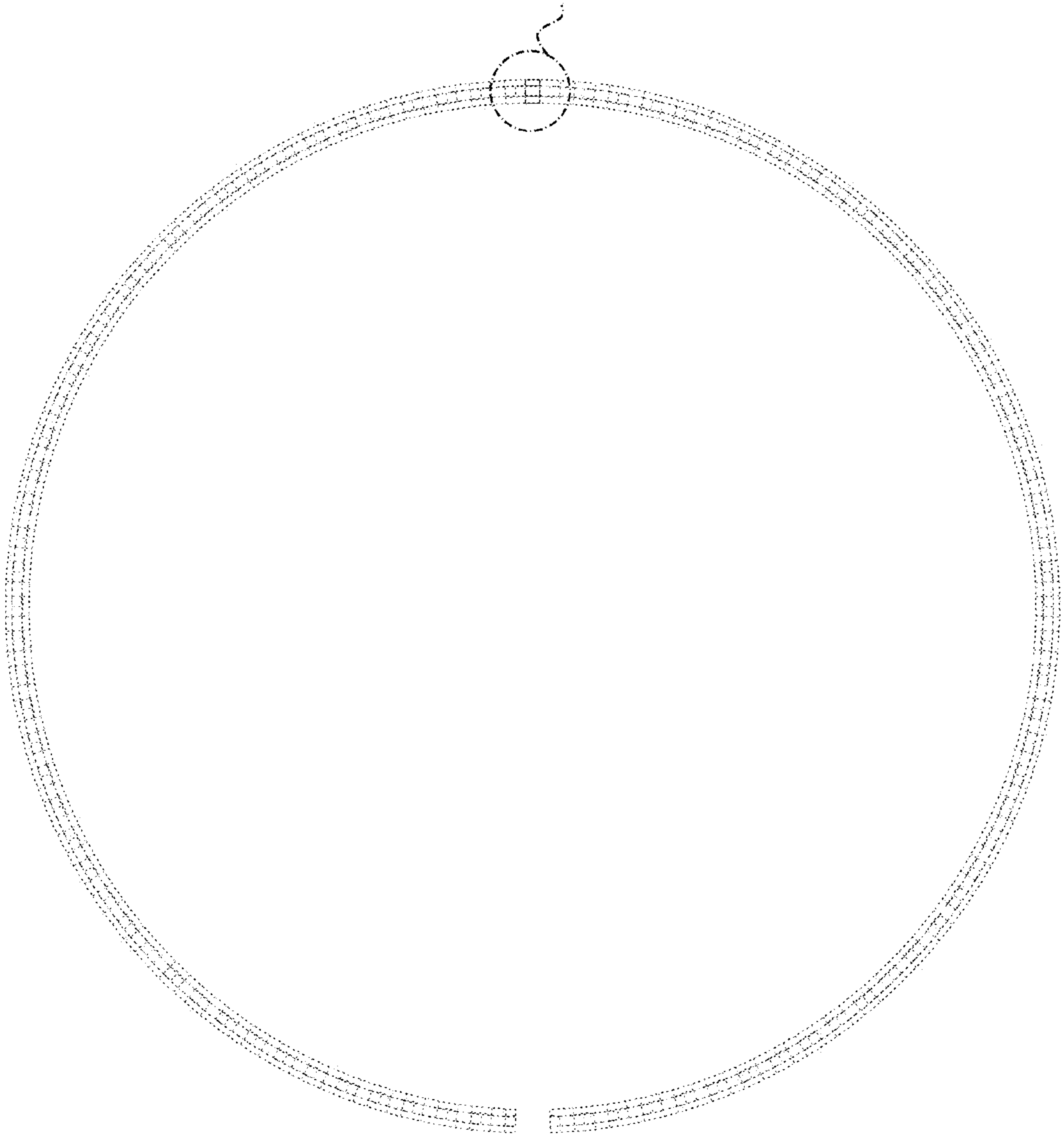
* cited by examiner

1.12



1.1

1.13



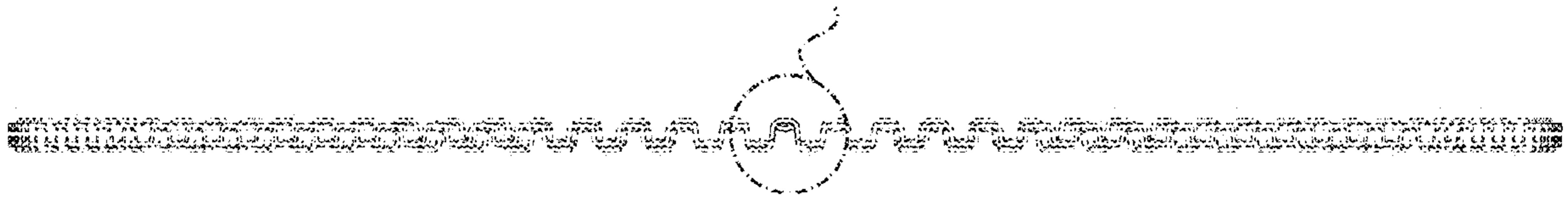
1.2

1.14



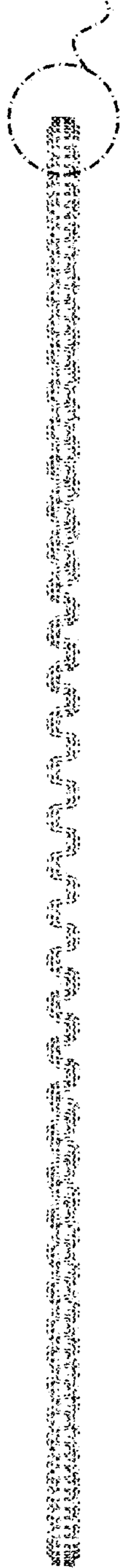
1.3

1.11

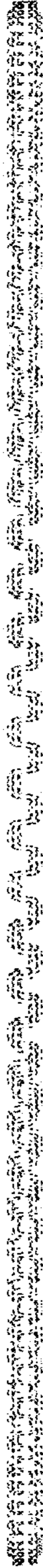


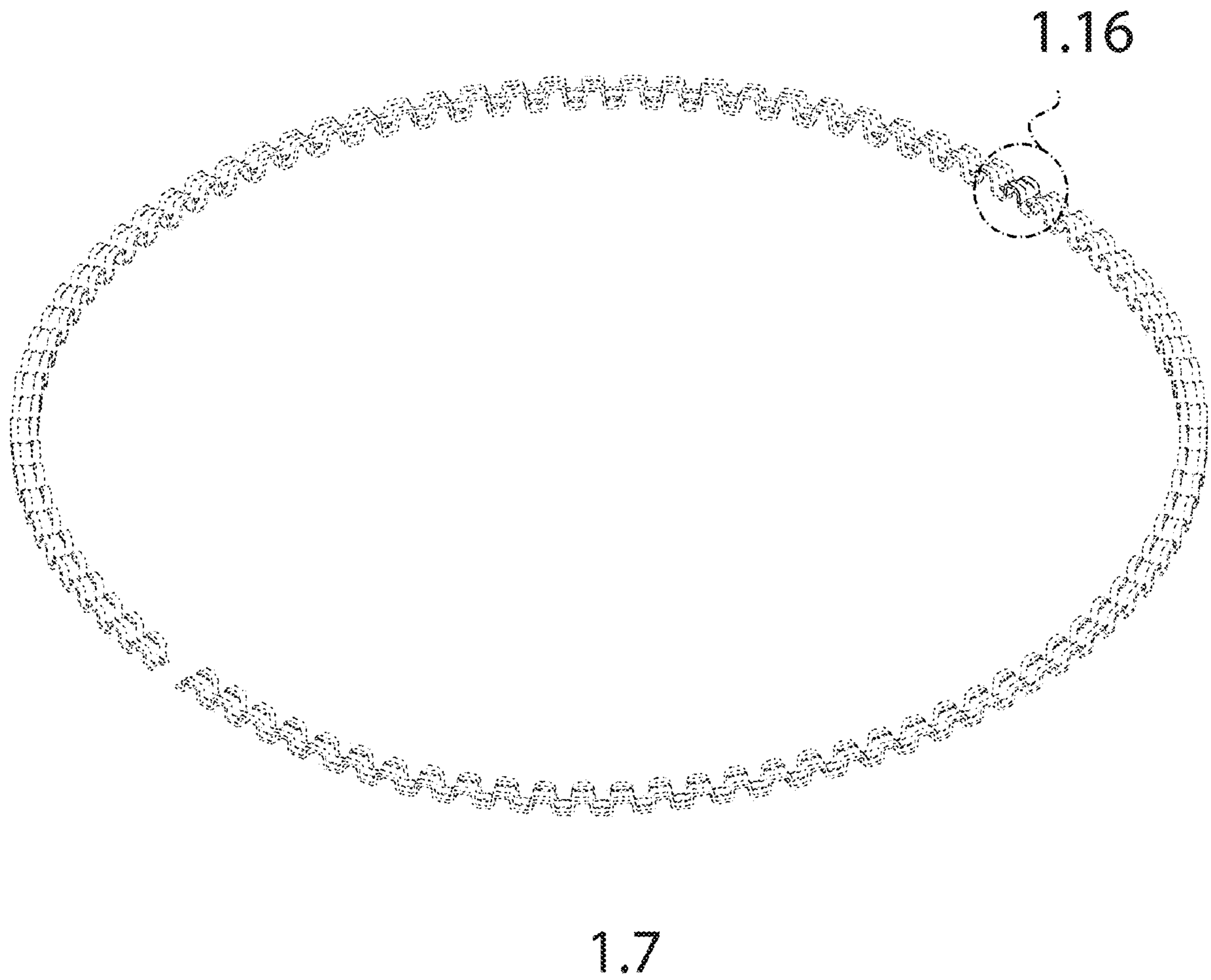
1.4

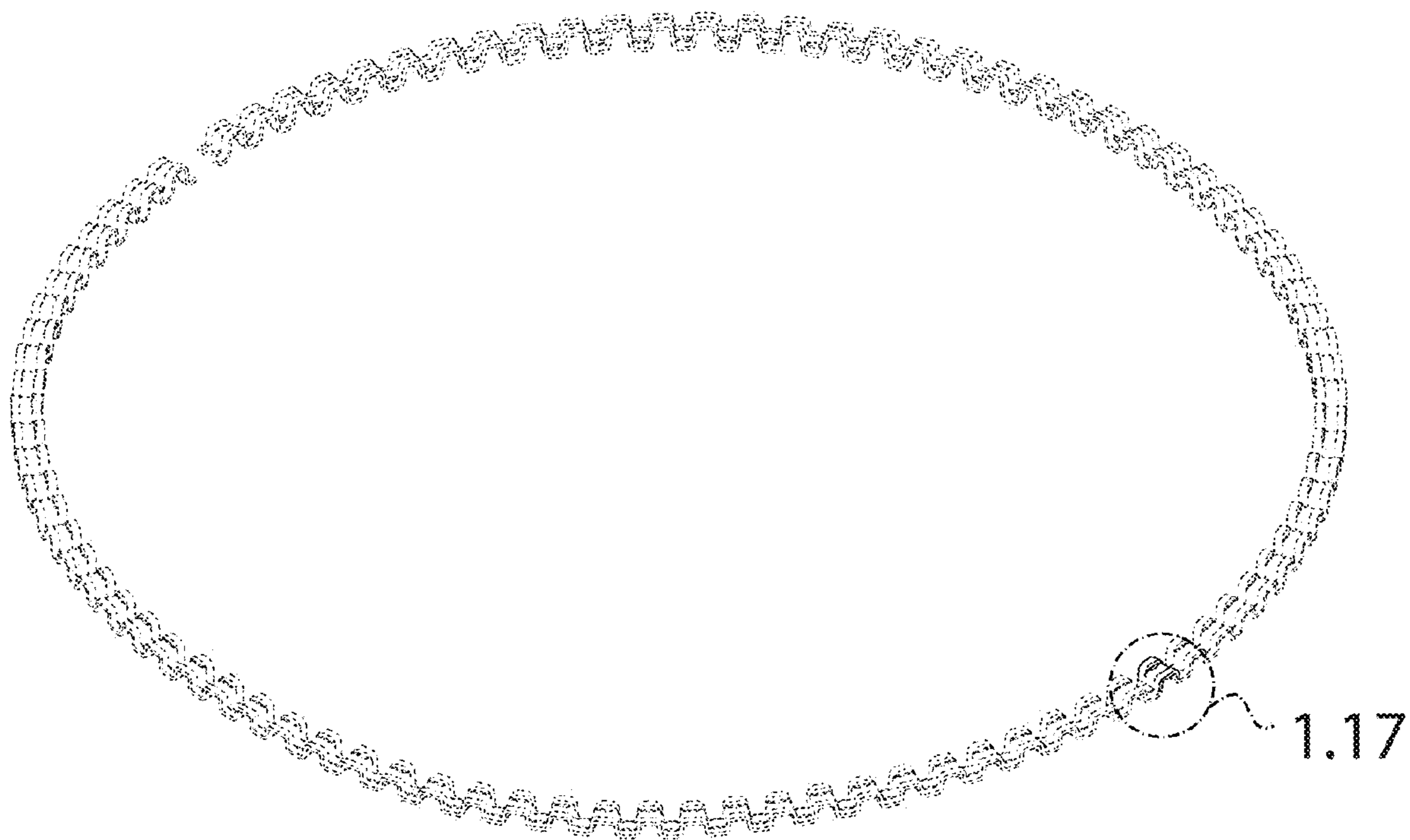
1.15



1.5

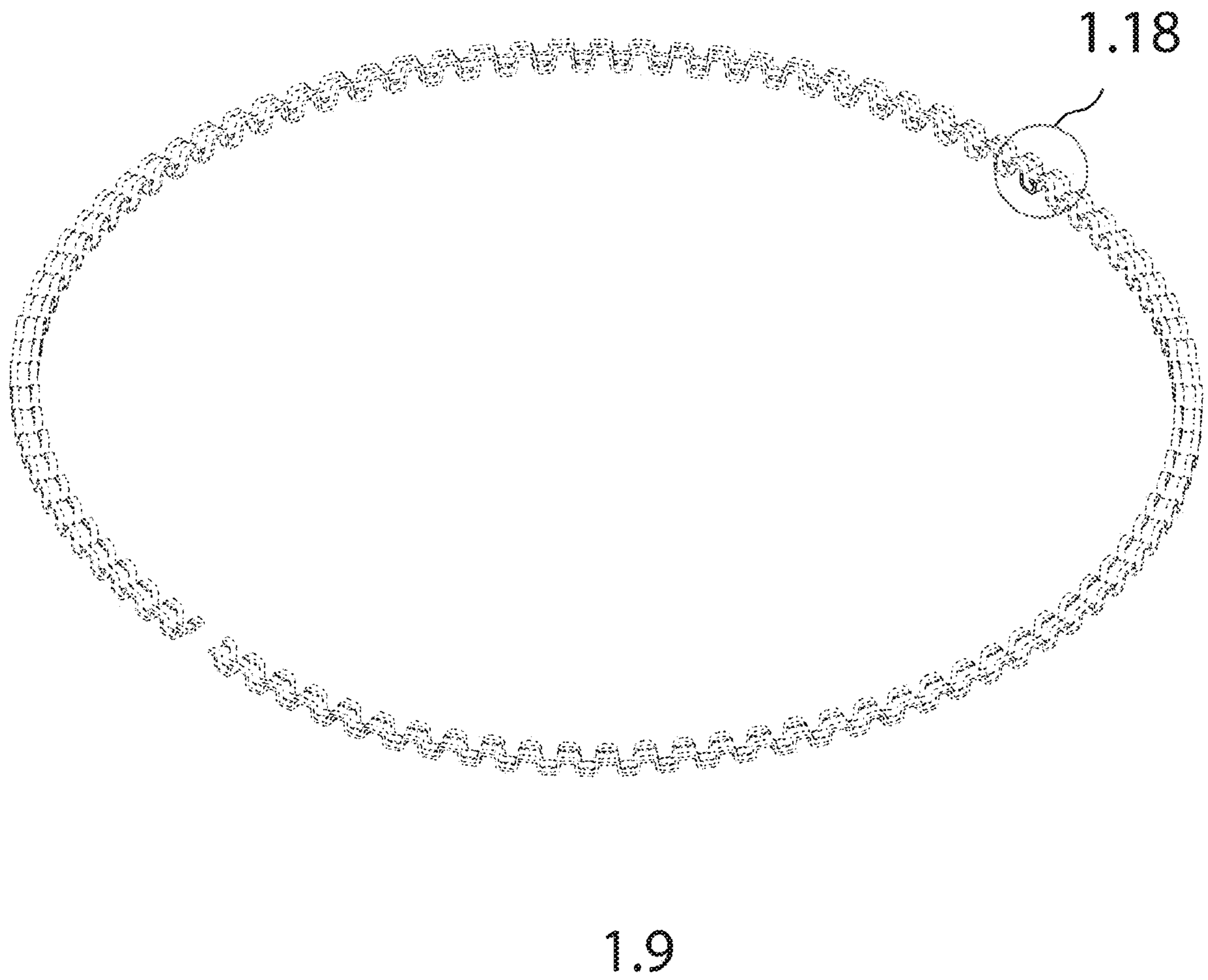


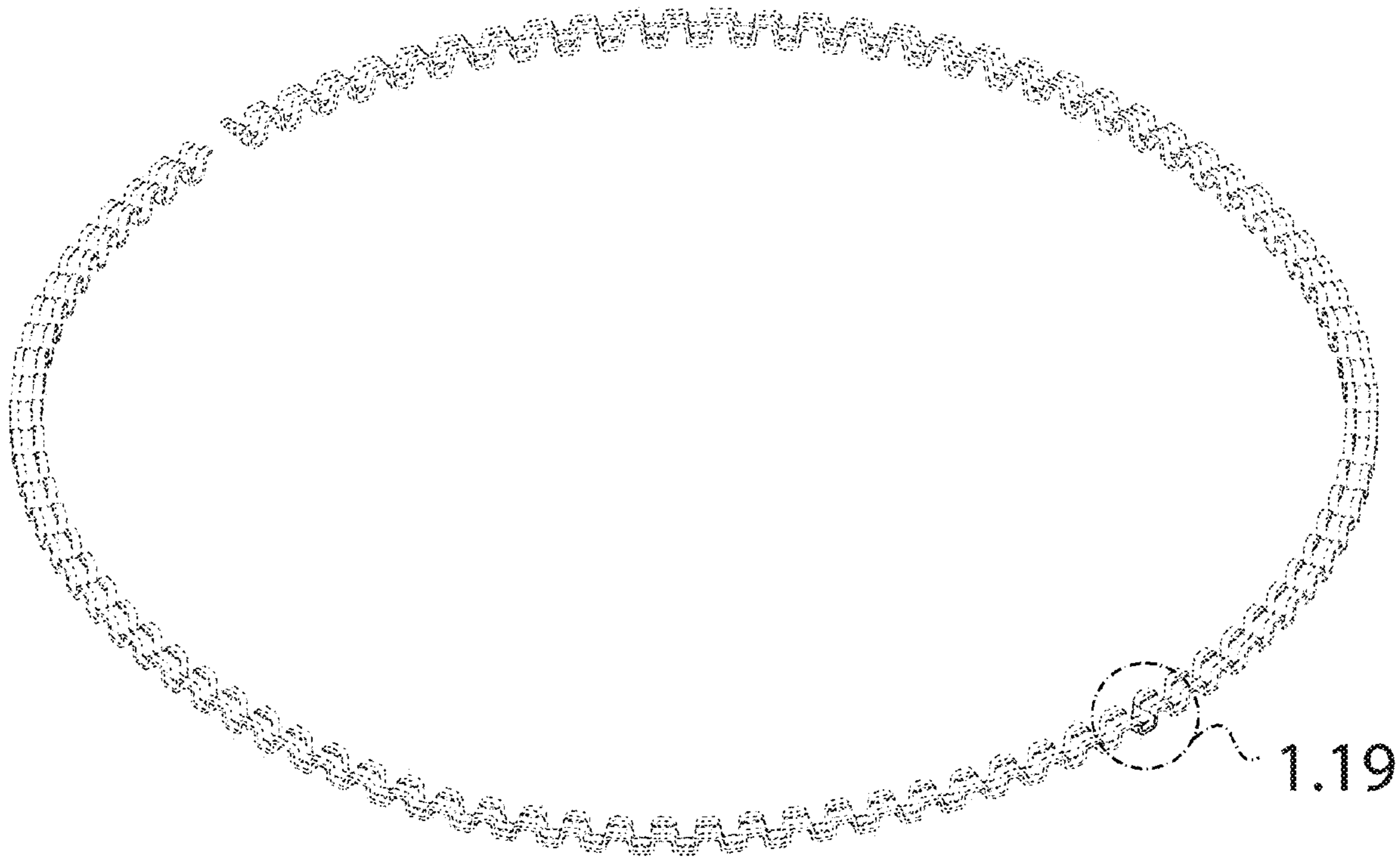




1.8

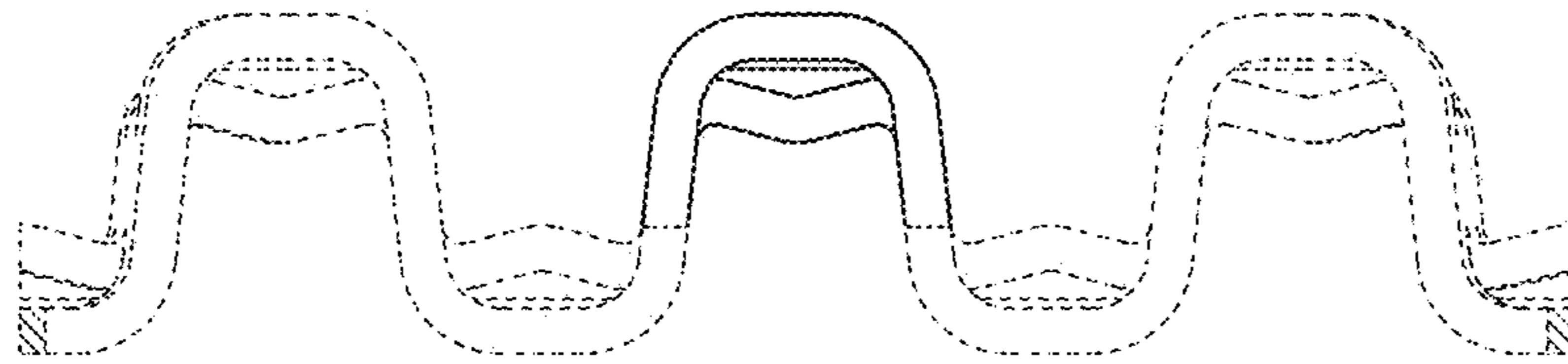
1.17



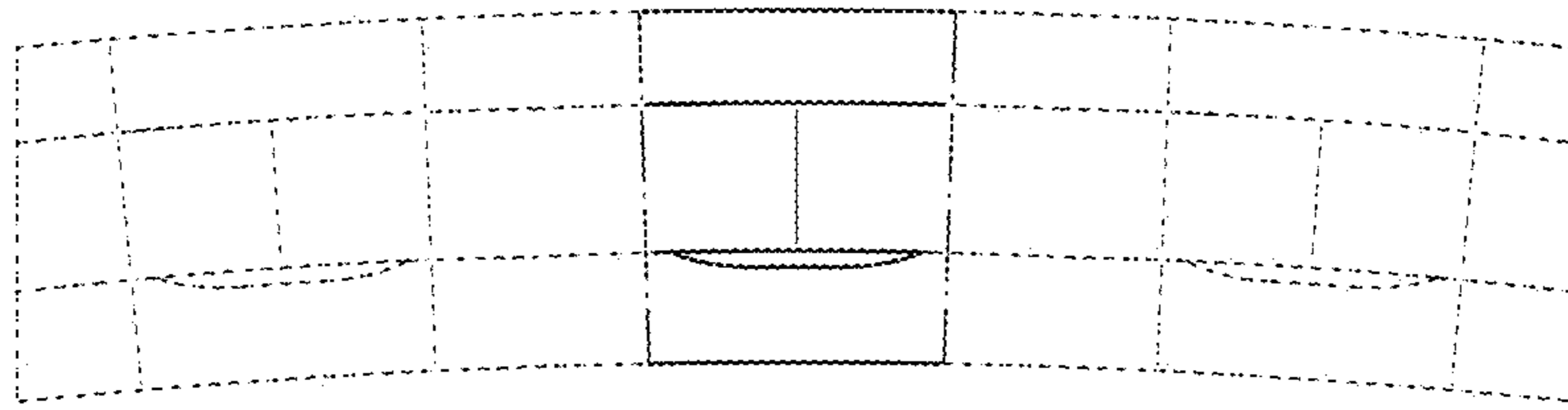


1.10

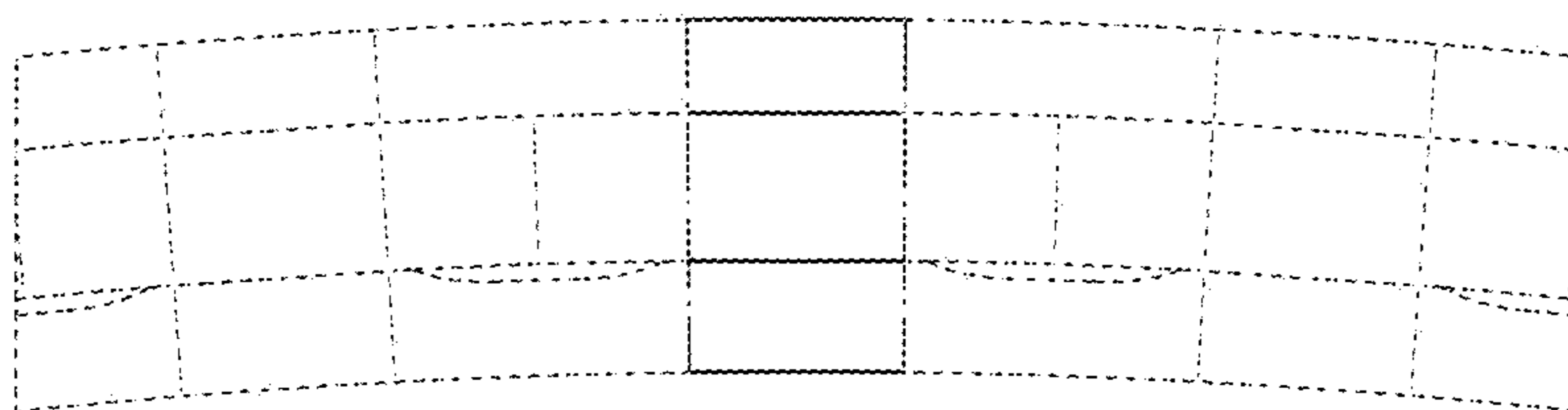
1.19



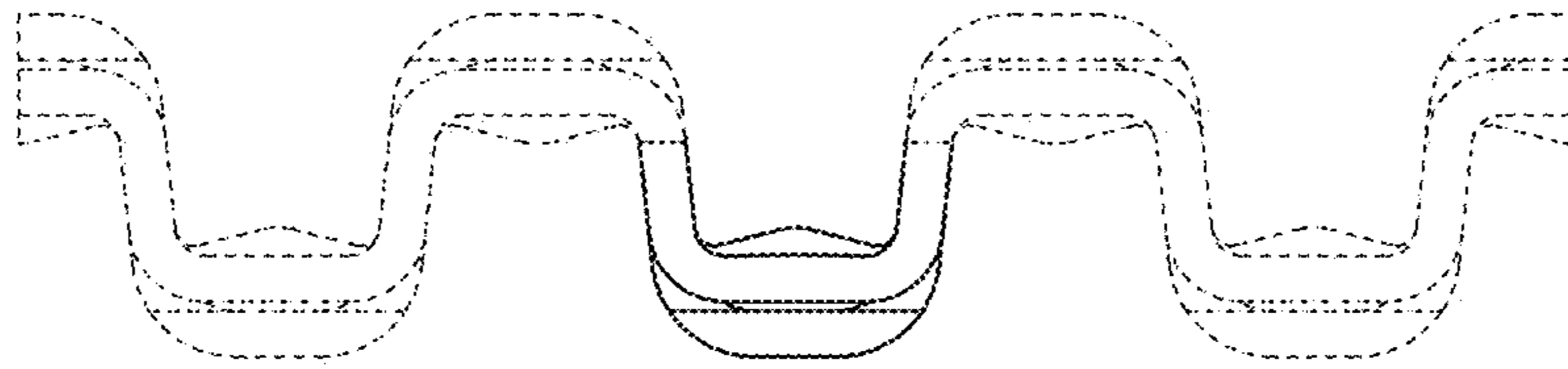
1.11



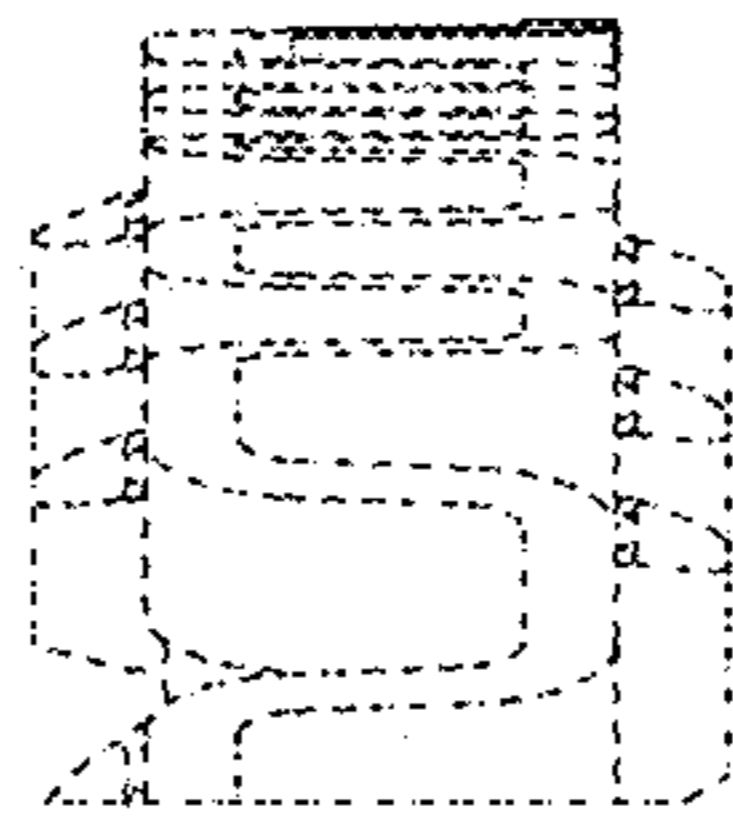
1.12



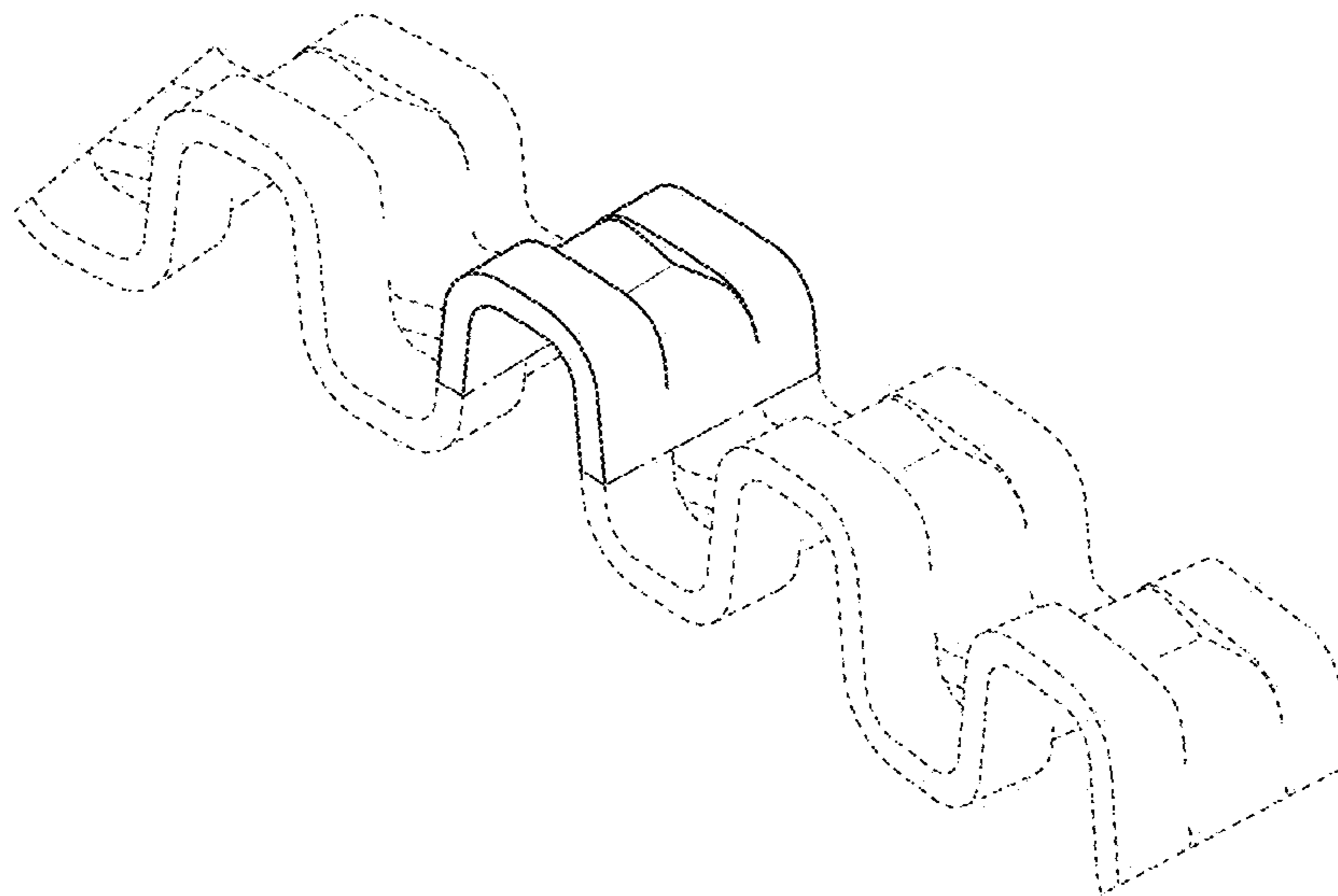
1.13



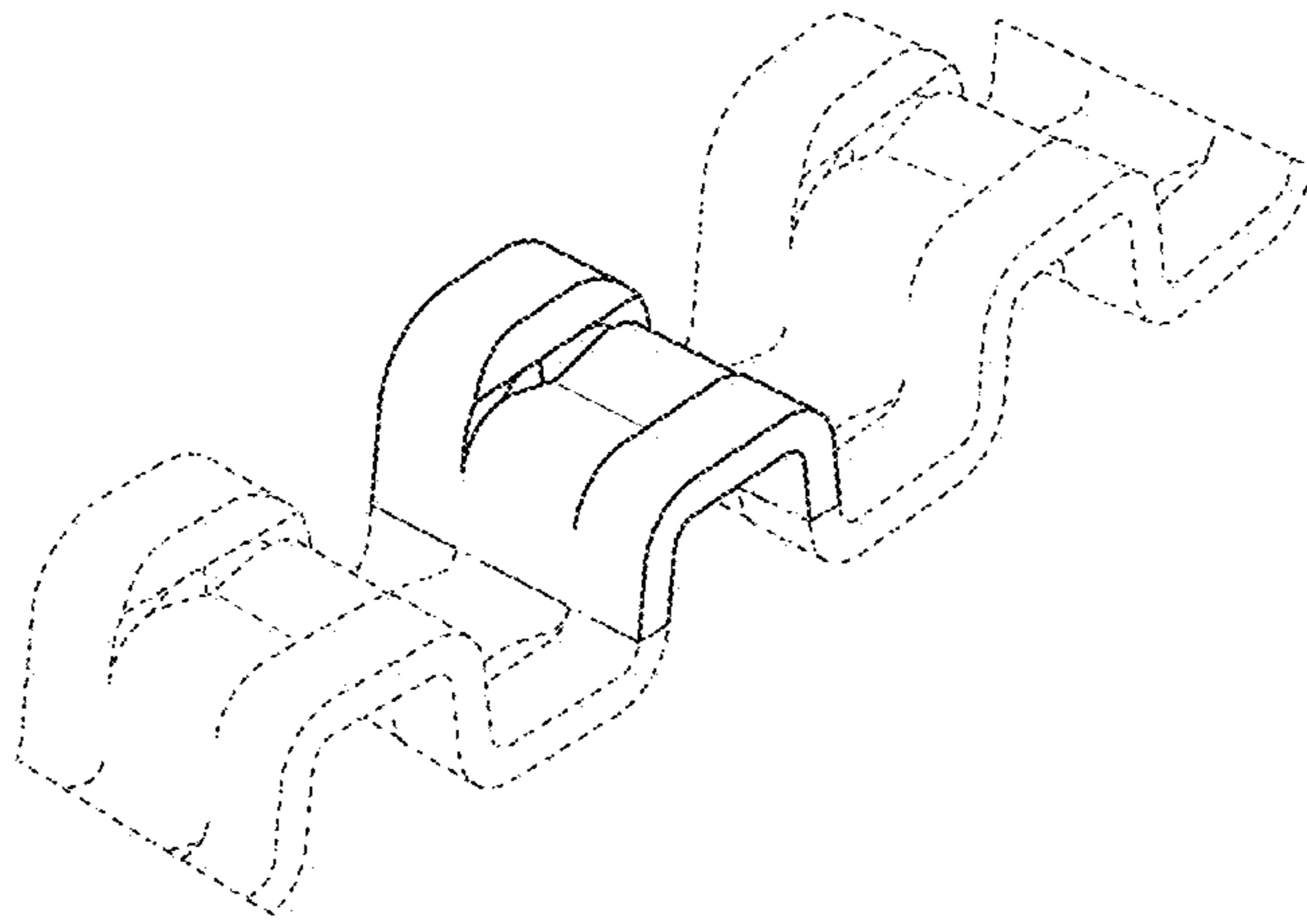
1.14



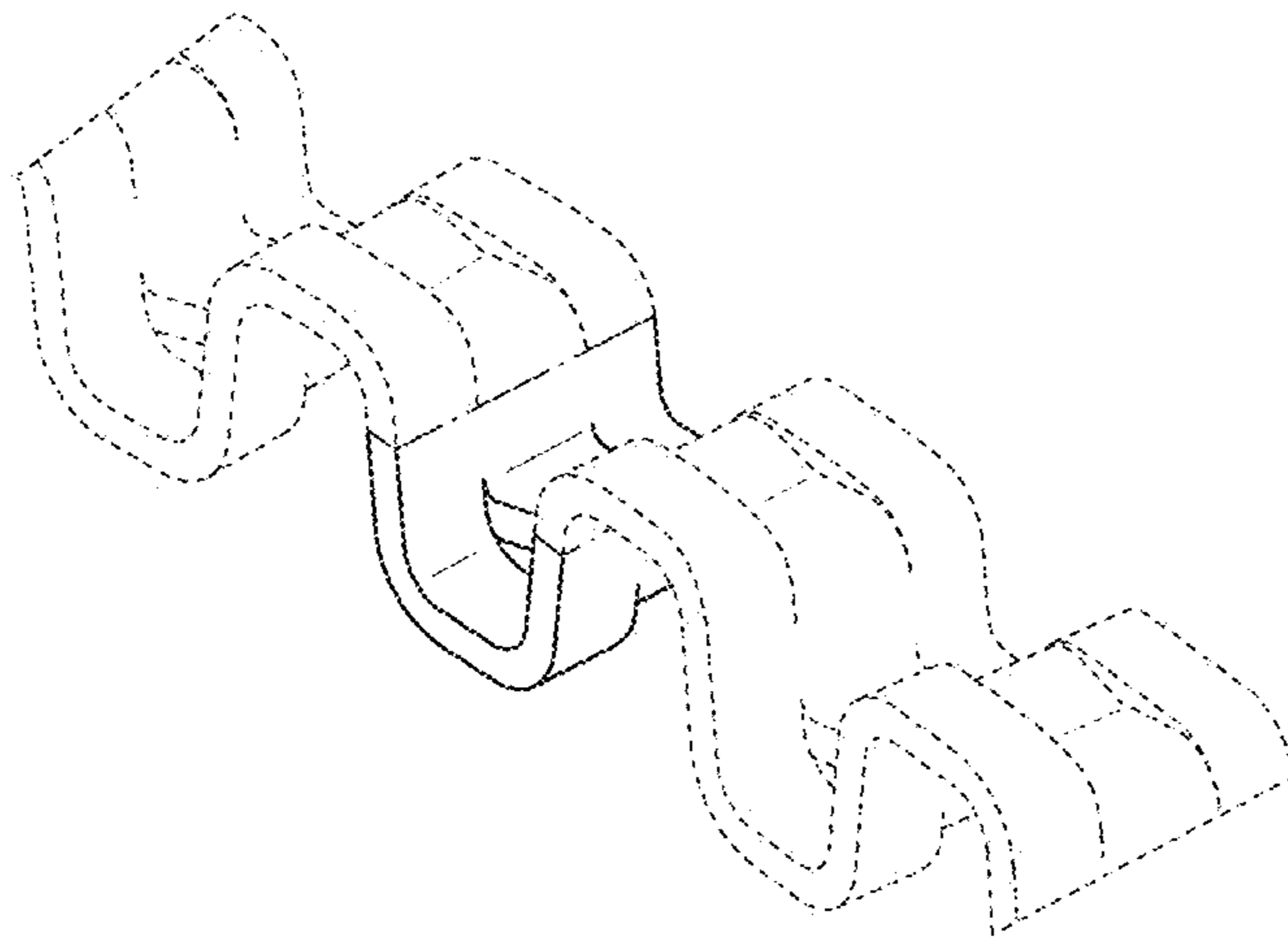
1.15



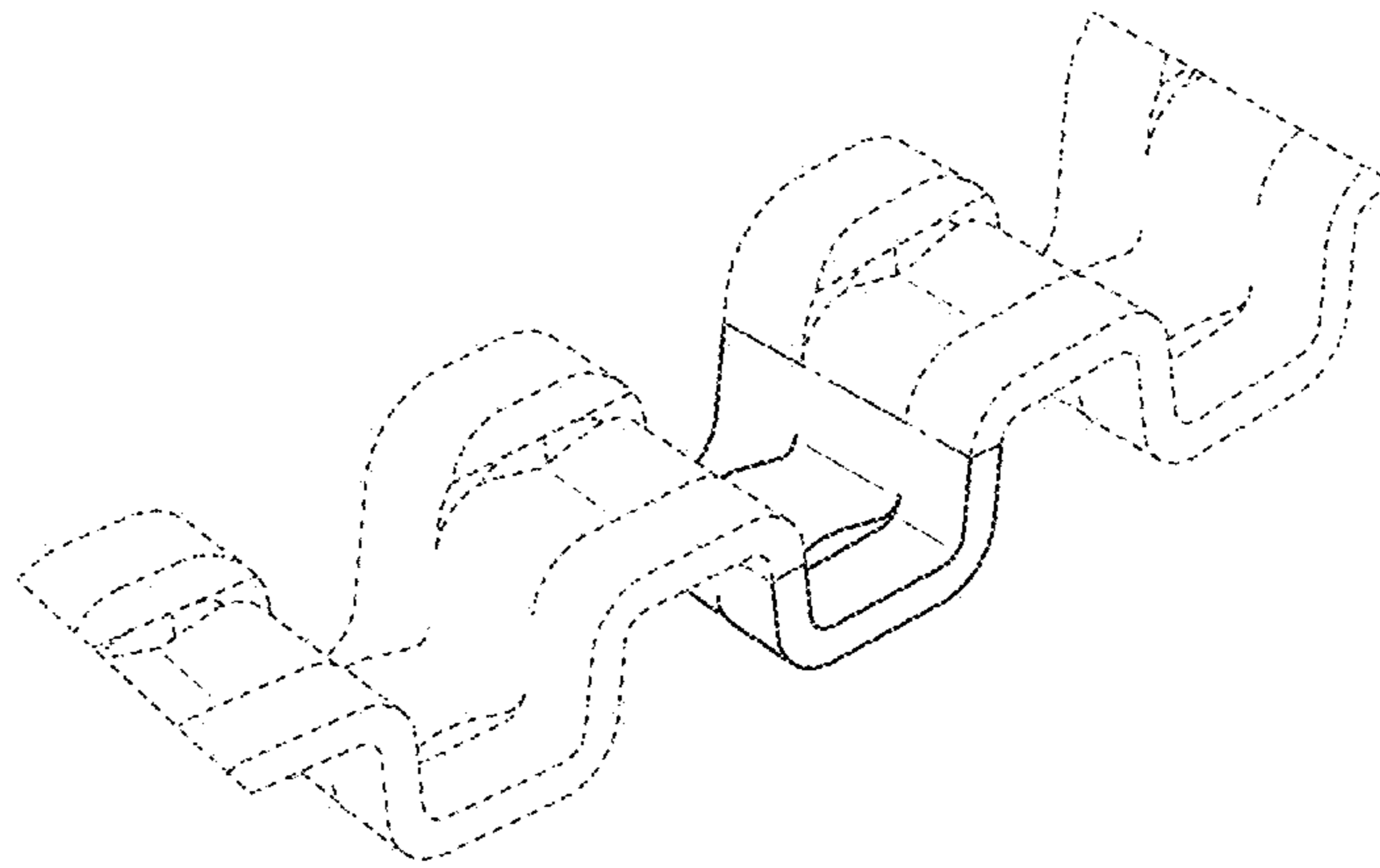
1.16



1.17



1.18



1.19