



US00D927573S

(12) **United States Design Patent**  
**Kim et al.**

(10) **Patent No.:** **US D927,573 S**

(45) **Date of Patent:** **\*\* Aug. 10, 2021**

(54) **CUTTING INSERT**

(71) Applicant: **Korloy Inc.**, Seoul (KR)

(72) Inventors: **Young Heum Kim**, Cheongju-si (KR);  
**Hyo San Kim**, Cheongju-si (KR); **Min Seok Oh**, Cheongju-si (KR); **Nam Seon Lee**, Cheongju-si (KR); **Ki Chan Nam**, Cheongju-si (KR)

(\*\*) Term: **15 Years**

(21) Appl. No.: **35/509,191**

(22) Filed: **Jan. 20, 2020**

(80) **Hague Agreement Data**  
 Int. Filing Date: **Jan. 20, 2020**  
 Int. Reg. No.: **DM/207209**  
 Int. Reg. Date: **Jan. 20, 2020**  
 Int. Reg. Pub. Date: **Apr. 24, 2020**

5,145,295 A \* 9/1992 Satran ..... B23C 5/2213  
407/113

5,207,538 A \* 5/1993 Satran ..... B23C 5/2213  
407/113

D342,269 S \* 12/1993 Arai ..... D15/139

D344,276 S \* 2/1994 Markusson ..... D15/139

D345,984 S \* 4/1994 Ishikawa ..... D15/139

D345,985 S \* 4/1994 Ishikawa ..... D15/139

D355,661 S \* 2/1995 Hessman ..... D15/139

D357,692 S \* 4/1995 Ishikawa ..... D15/139

D376,158 S \* 12/1996 Hessman ..... D15/139

D381,026 S \* 7/1997 Hessman ..... D15/139

D409,633 S \* 5/1999 Bernadic ..... D15/139

D422,608 S \* 4/2000 Malaker ..... D15/139

D425,086 S \* 5/2000 Bernadic ..... D15/139

D488,175 S \* 4/2004 Kasperik ..... D15/139

7,168,512 B2 \* 1/2007 Schuffenhauer ..... B23C 5/207  
175/426

D585,467 S \* 1/2009 Takanashi ..... D15/139

D589,542 S \* 3/2009 Takanashi ..... D15/139

D805,566 S \* 12/2017 Oh ..... D15/139

D816,133 S \* 4/2018 Mura ..... D15/139

D816,134 S \* 4/2018 Mura ..... D15/139

D826,664 S \* 8/2018 Matsubara ..... D8/20

D828,414 S \* 9/2018 Takahashi ..... D15/139

(Continued)

(30) **Foreign Application Priority Data**  
 Sep. 18, 2019 (KR) ..... 30-2019-0044789

(51) **LOC (13) Cl.** ..... **15-09**

(52) **U.S. Cl.**  
 USPC ..... **D15/139**  
 CPC ..... **B23C 5/207** (2013.01)

(58) **Field of Classification Search**  
 USPC ..... D15/124-144; D8/20, 70, 90, 98;  
407/59, 114; 409/139-140  
 CPC ..... B23C 2200/0494; B23C 2200/086; B23C  
2200/128; B23C 2200/362; B23C 5/15;  
B23C 5/06; B23C 5/207; B23C 2200/367;  
B23C 2200/0422; B23B 27/007; B23B  
27/143; B23B 2200/321; B23B 2200/087  
 See application file for complete search history.

Primary Examiner — Richard E Chilcot  
 (74) *Attorney, Agent, or Firm* — Rabin & Berdo, P.C.

(57) **CLAIM**

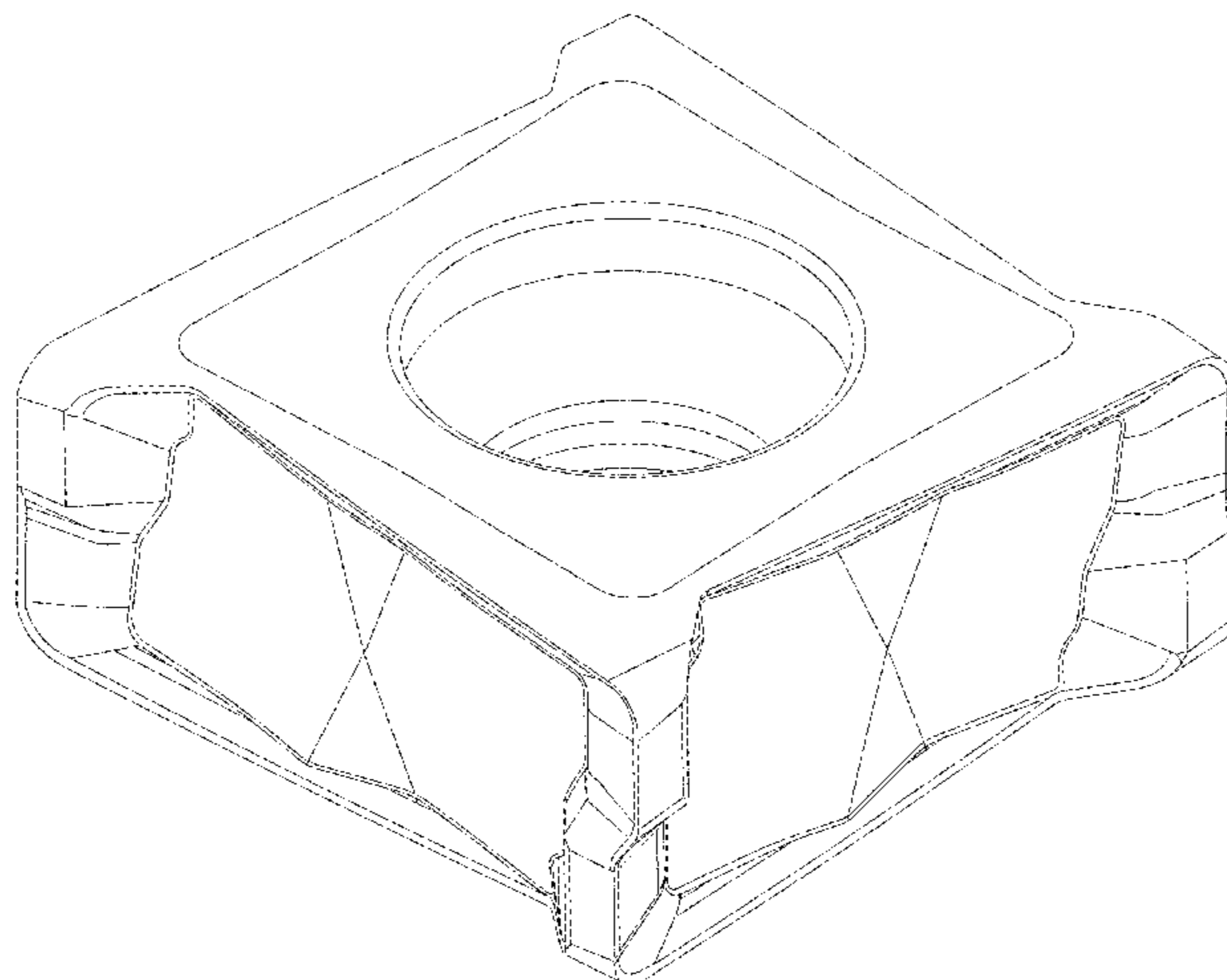
The ornamental design for a cutting insert, as shown and described.

**DESCRIPTION**

- 1. Cutting insert
- 1.1 : Perspective
- 1.2 : Front
- 1.3 : Back
- 1.4 : Top
- 1.5 : Bottom
- 1.6 : Left
- 1.7 : Right

(56) **References Cited**  
 U.S. PATENT DOCUMENTS  
 D304,949 S \* 12/1989 Niebauer ..... D15/139  
 D305,239 S \* 12/1989 Niebauer ..... D15/139

**1 Claim, 7 Drawing Sheets**



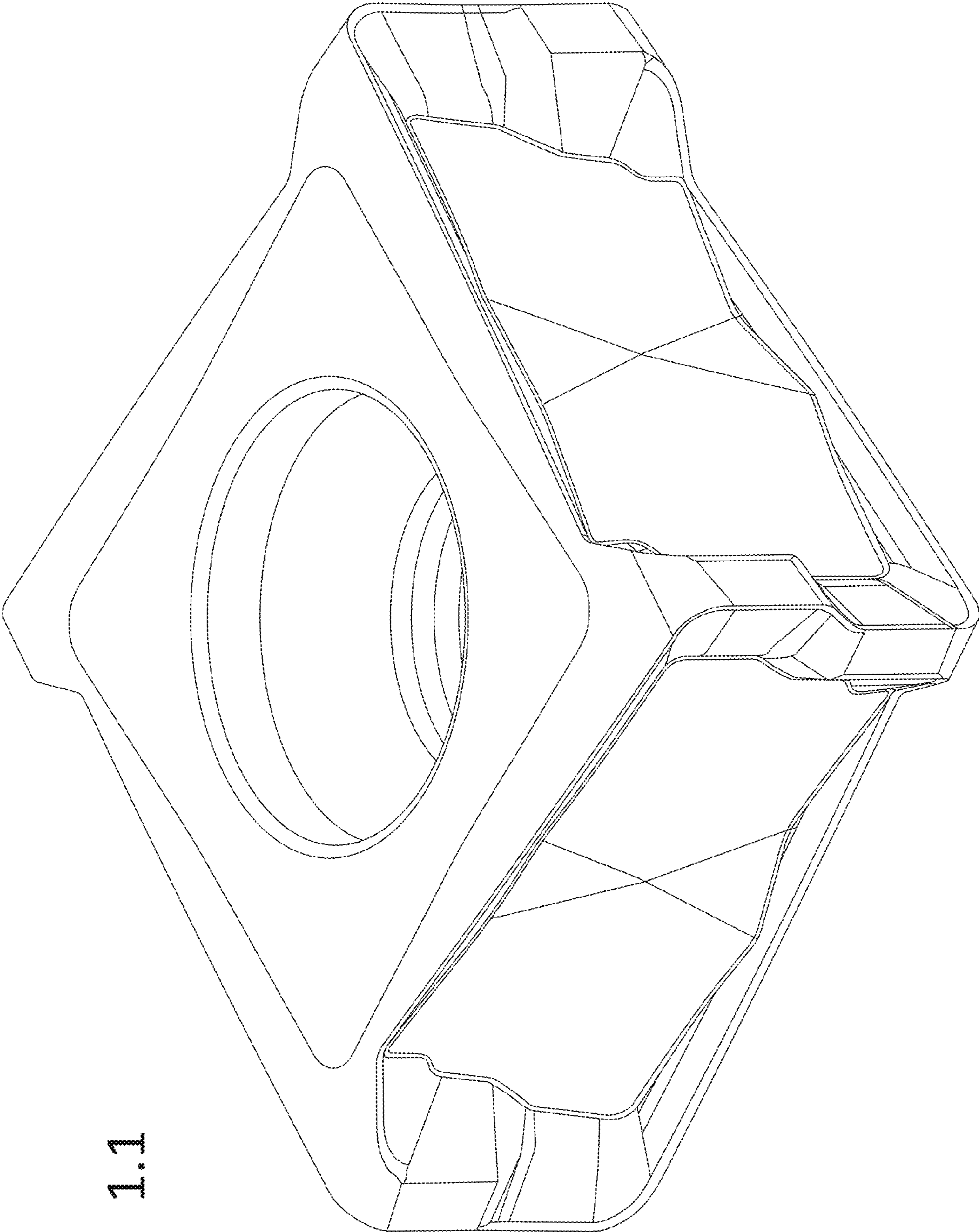
(56)

**References Cited**

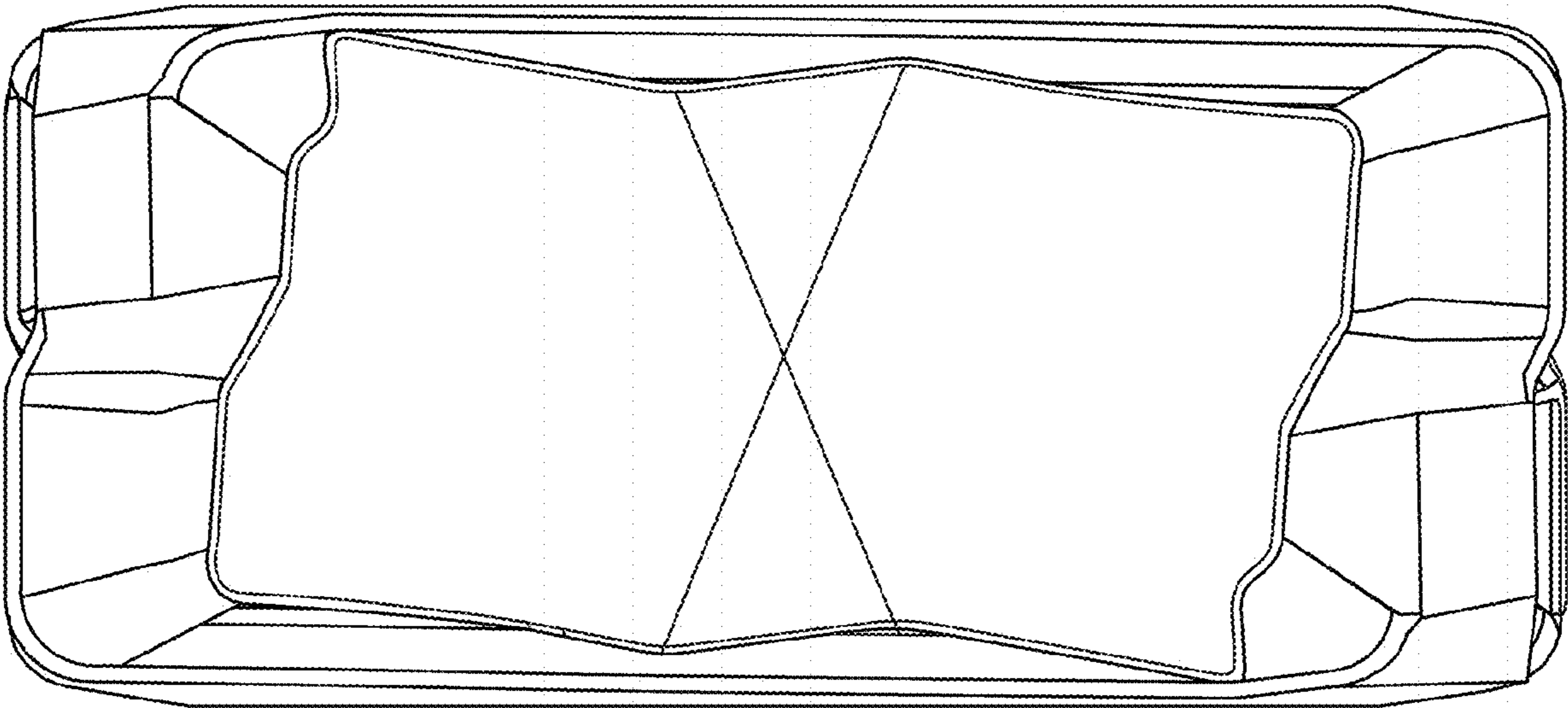
U.S. PATENT DOCUMENTS

D853,456 S \* 7/2019 Aizawa ..... D15/138  
D872,784 S \* 1/2020 Inagaki ..... D15/139  
D879,168 S \* 3/2020 Zhao ..... D15/139  
2015/0202697 A1\* 7/2015 Shiota ..... B23C 5/109  
407/42  
2015/0246398 A1\* 9/2015 Kawasaki ..... B23B 27/141  
408/231

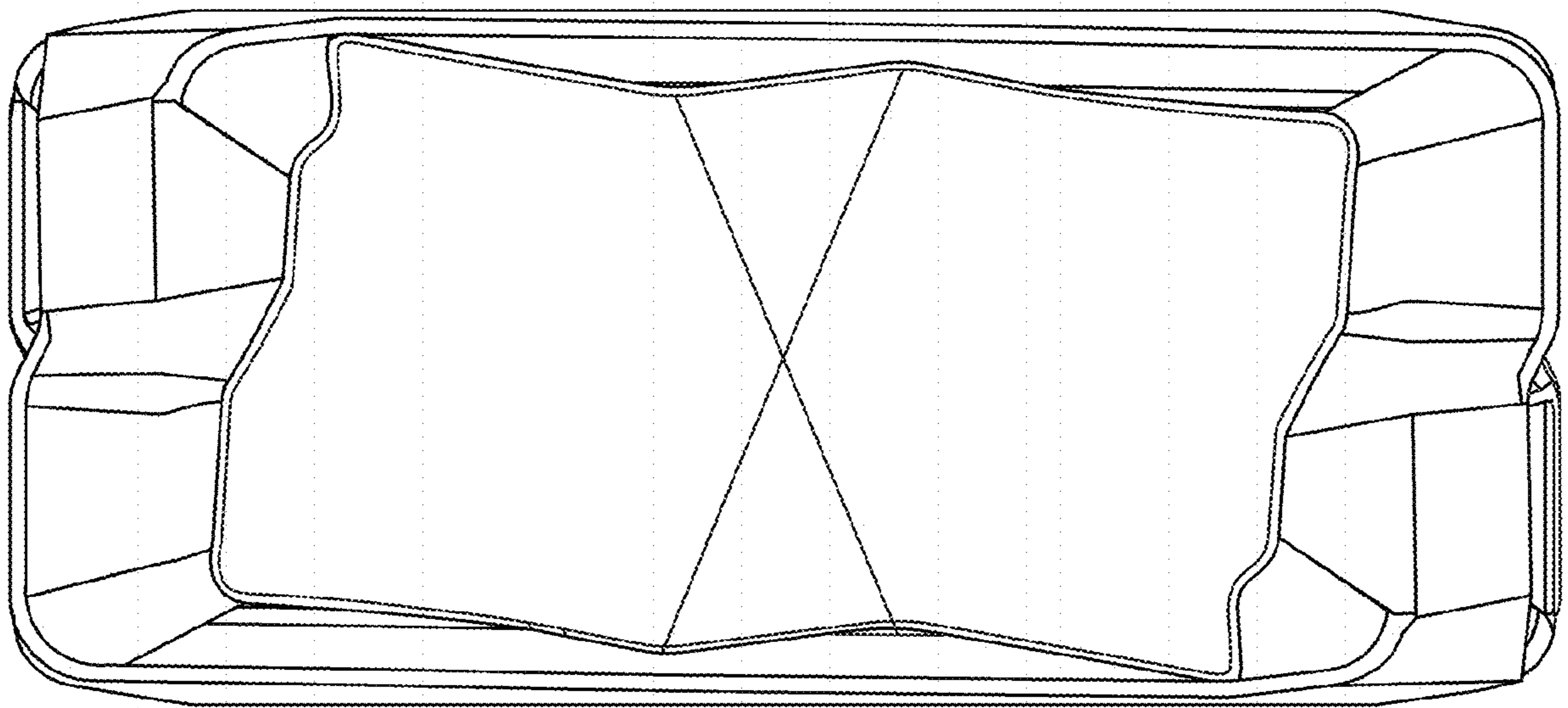
\* cited by examiner



1.1

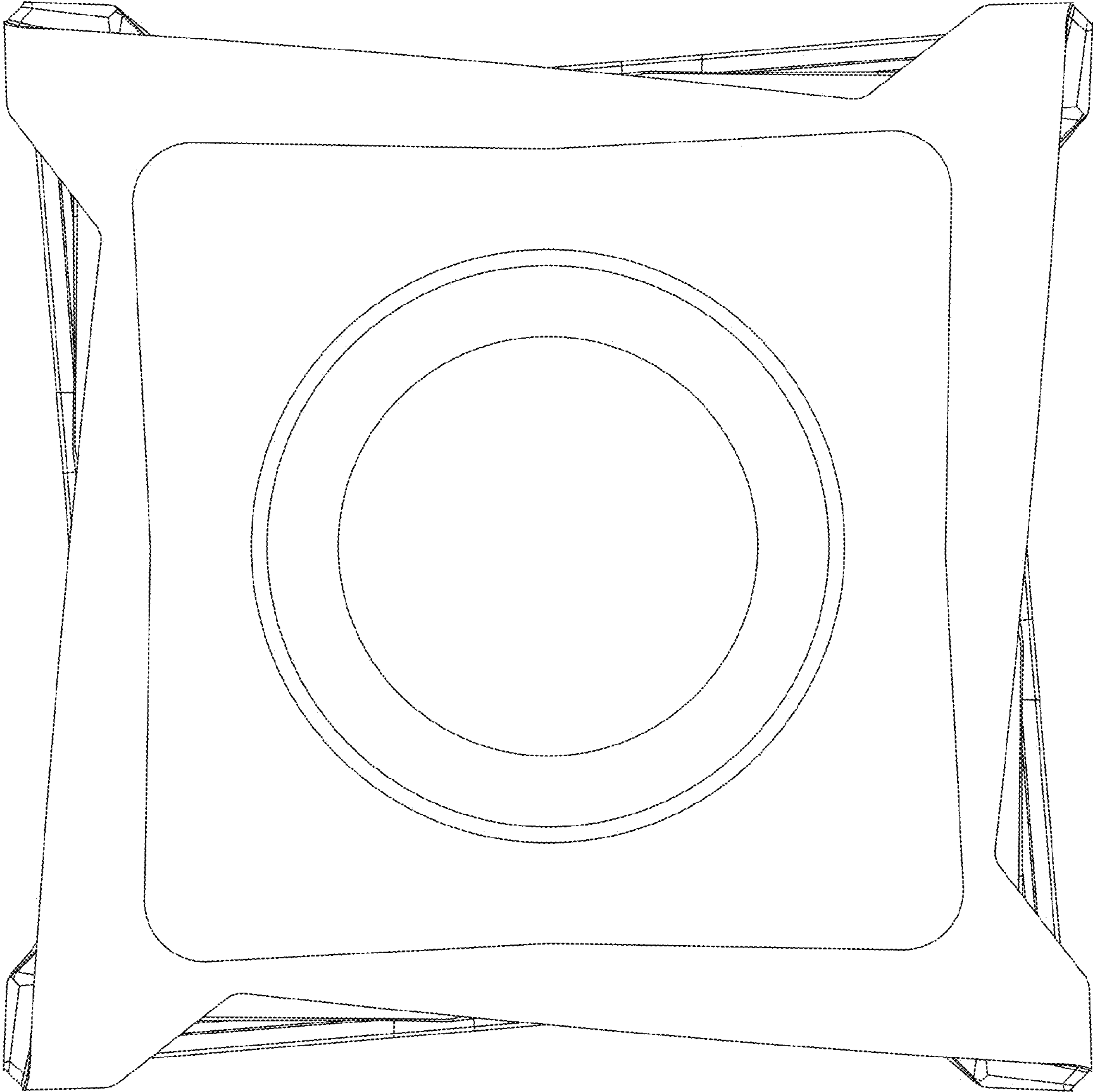


1.2

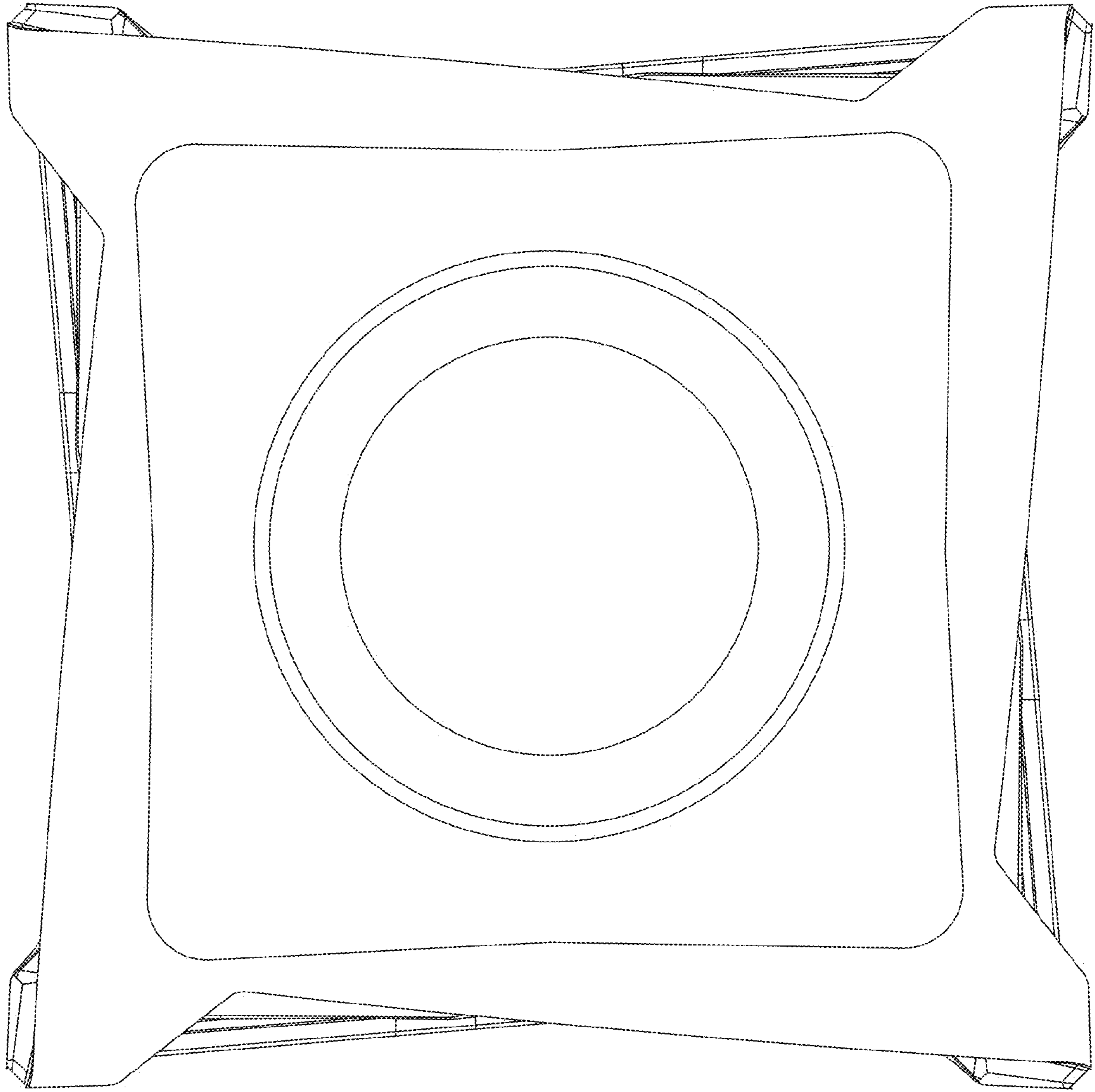


1.3

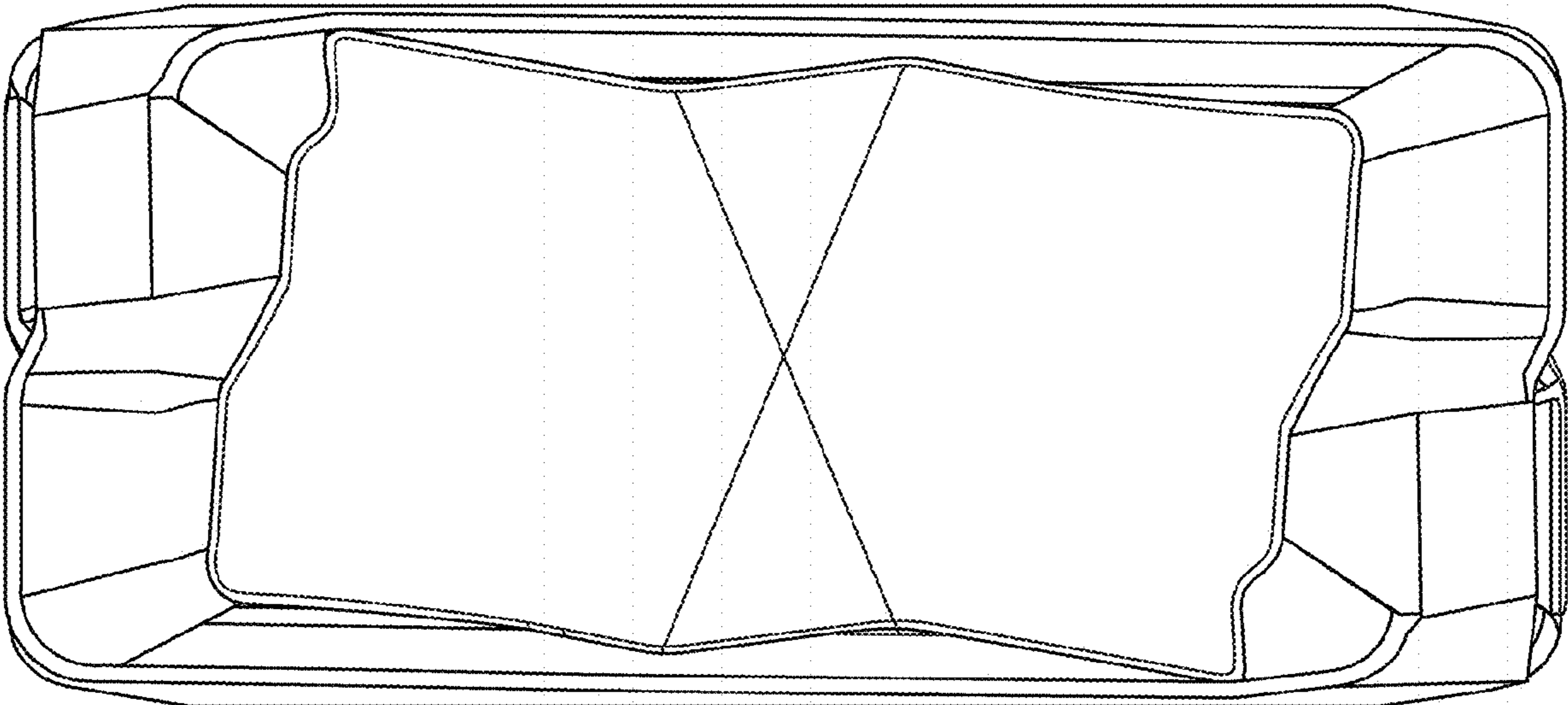




1.4

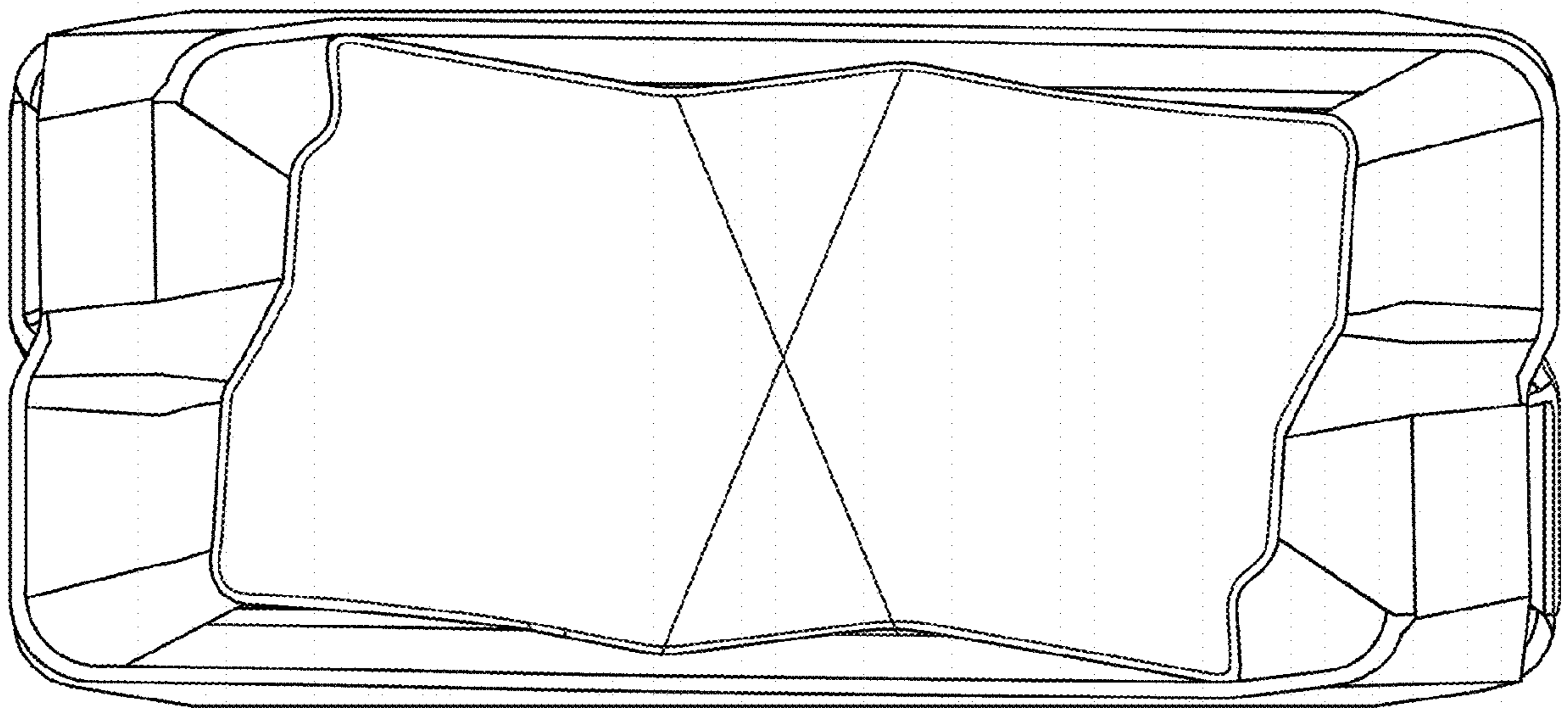


1.5



1.6





1.7