



US00D927572S

(12) **United States Design Patent**
Nam et al.

(10) **Patent No.: US D927,572 S**

(45) **Date of Patent: ** Aug. 10, 2021**

(54) **CUTTING INSERT**

(71) Applicant: **Korloy Inc.**, Seoul (KR)

(72) Inventors: **Ki Chan Nam**, Cheongju-si (KR); **Nam Seon Lee**, Cheongju-si (KR); **Seon Ho Shin**, Cheongju-si (KR); **Min Seok Oh**, Cheongju-si (KR)

(**) Term: **15 Years**

(21) Appl. No.: **35/509,150**

(22) Filed: **Jan. 20, 2020**

(80) **Hague Agreement Data**
 Int. Filing Date: **Jan. 20, 2020**
 Int. Reg. No.: **DM/207211**
 Int. Reg. Date: **Jan. 20, 2020**
 Int. Reg. Pub. Date: **Apr. 24, 2020**

5,145,295 A * 9/1992 Satran B23C 5/2213
407/113

5,207,538 A * 5/1993 Satran B23C 5/2213
407/113

D342,269 S * 12/1993 Arai D15/139

D344,276 S * 2/1994 Markusson D15/139

D345,984 S * 4/1994 Ishikawa D15/139

D345,985 S * 4/1994 Ishikawa D15/139

D355,661 S * 2/1995 Hessman D15/139

D357,692 S * 4/1995 Ishikawa D15/139

D376,158 S * 12/1996 Hessman D15/139

D381,026 S * 7/1997 Hessman D15/139

D409,633 S * 5/1999 Bernadic D15/139

D422,608 S * 4/2000 Malaker D15/139

D425,086 S * 5/2000 Bernadic D15/139

D488,175 S * 4/2004 Kasperik D15/139

7,168,512 B2 * 1/2007 Schuffenhauer B23C 5/207
175/426

D585,467 S * 1/2009 Takanashi D15/139

D589,542 S * 3/2009 Takanashi D15/139

D805,566 S * 12/2017 Oh D15/139

D816,133 S * 4/2018 Mura D15/139

D816,134 S * 4/2018 Mura D15/139

(Continued)

(30) **Foreign Application Priority Data**
 Sep. 30, 2019 (KR) 30-2019-0046847

(51) **LOC (13) Cl.** **15-09**

(52) **U.S. Cl.**
 USPC **D15/139**
 CPC **B23C 5/207** (2013.01)

(58) **Field of Classification Search**
 USPC D15/124-144; D8/20, 70, 90, 98;
 407/59, 117; 409/139-140
 CPC B23C 2200/0494; B23C 2200/086; B23C
 2200/128; B23C 2200/362; B23C 5/15;
 B23C 5/06; B23C 5/207; B23C 2200/367;
 B23C 2200/0422; B23B 27/007; B23B
 27/143; B23B 2200/321; B23B 2200/087
 See application file for complete search history.

(56) **References Cited**
 U.S. PATENT DOCUMENTS

D304,949 S * 12/1989 Niebauer D15/139

D305,239 S * 12/1989 Niebauer D15/139

FOREIGN PATENT DOCUMENTS

JP 1475961 S 8/2013

Primary Examiner — Richard E Chilcot

(74) *Attorney, Agent, or Firm* — Rabin & Berdo, P.C.

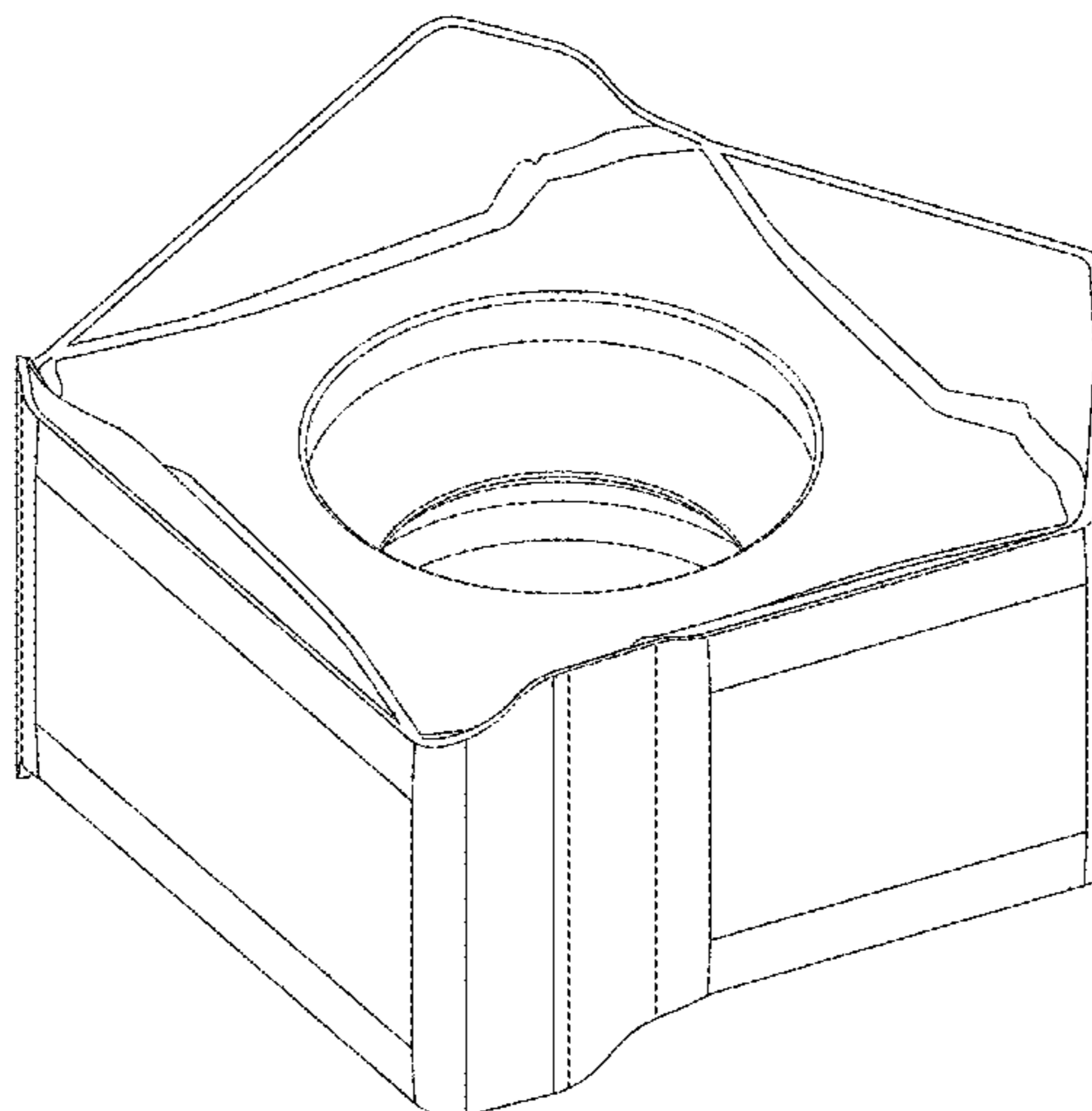
(57) **CLAIM**

The ornamental design for a cutting insert, as shown and described.

DESCRIPTION

- 1. Cutting insert
- 1.1 : Perspective
- 1.2 : Front
- 1.3 : Back
- 1.4 : Top
- 1.5 : Bottom
- 1.6 : Left
- 1.7 : Right

1 Claim, 7 Drawing Sheets



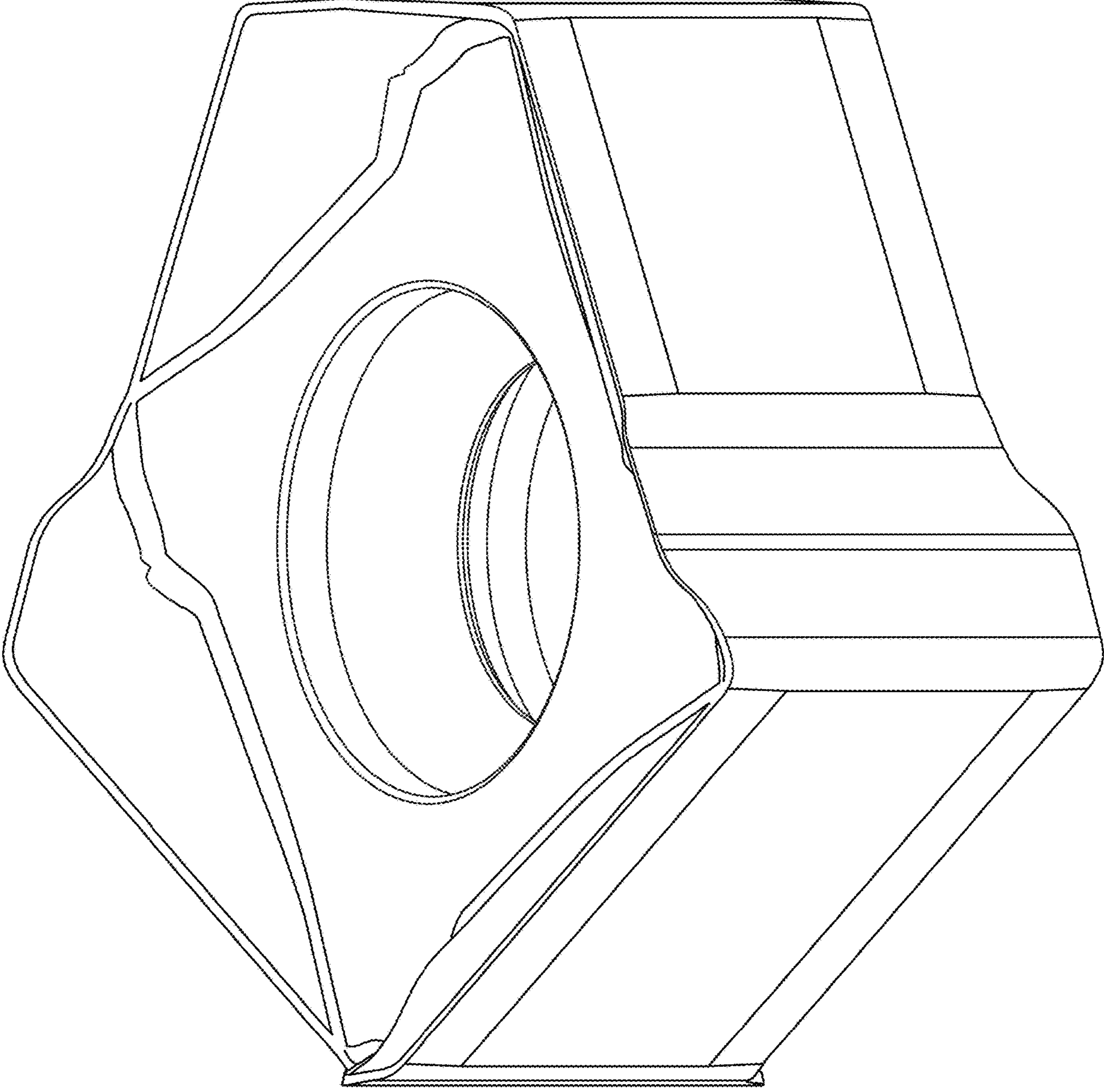
(56)

References Cited

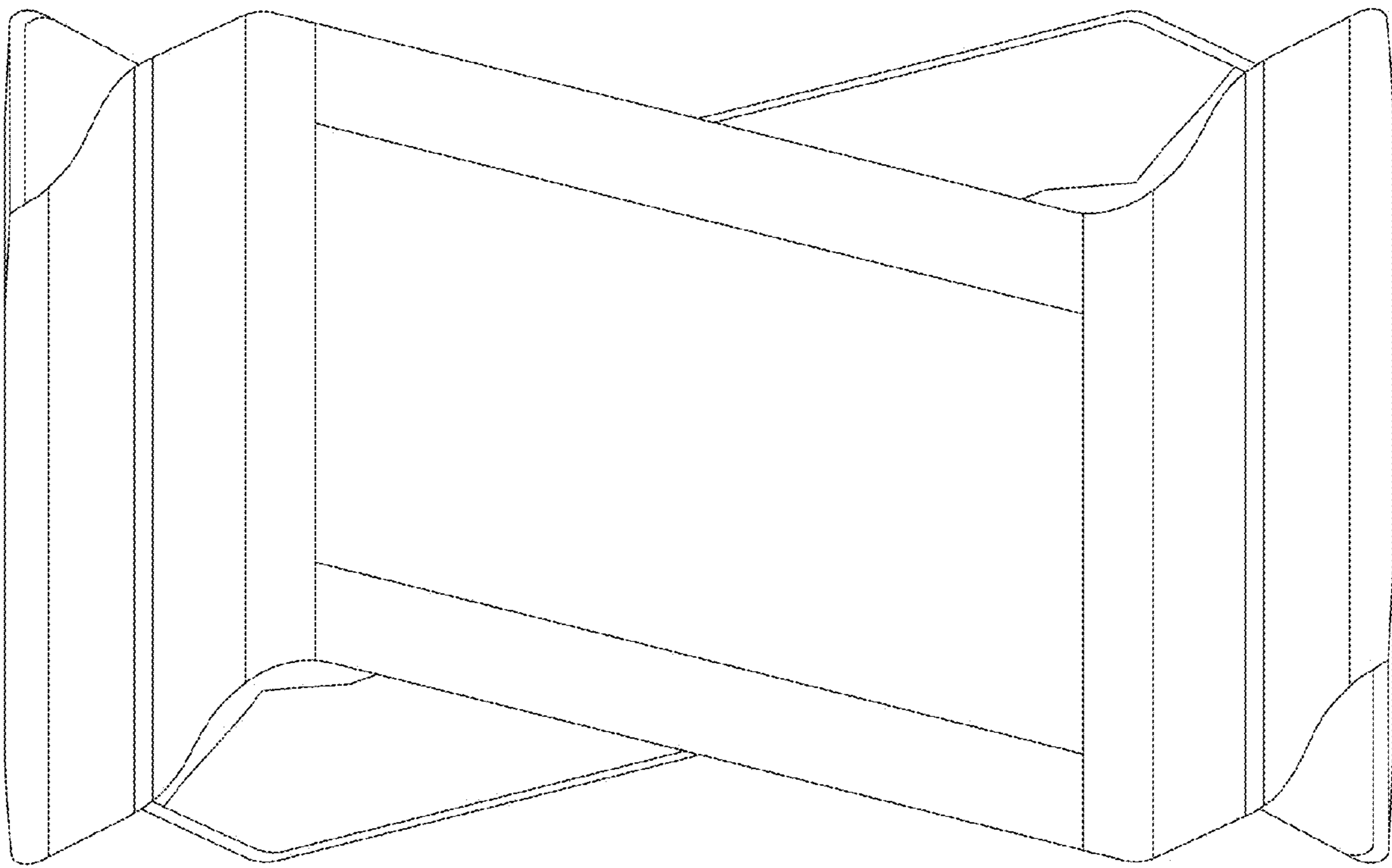
U.S. PATENT DOCUMENTS

D826,664 S *	8/2018	Matsubara	D8/20
D828,414 S *	9/2018	Takahashi	D15/139
D853,456 S *	7/2019	Aizawa	D15/138
D872,784 S *	1/2020	Inagaki	D15/139
D879,168 S *	3/2020	Zhao	D15/139
2015/0202697 A1 *	7/2015	Shiota	B23C 5/109 407/42
2015/0246398 A1 *	9/2015	Kawasaki	B23B 27/141 408/231

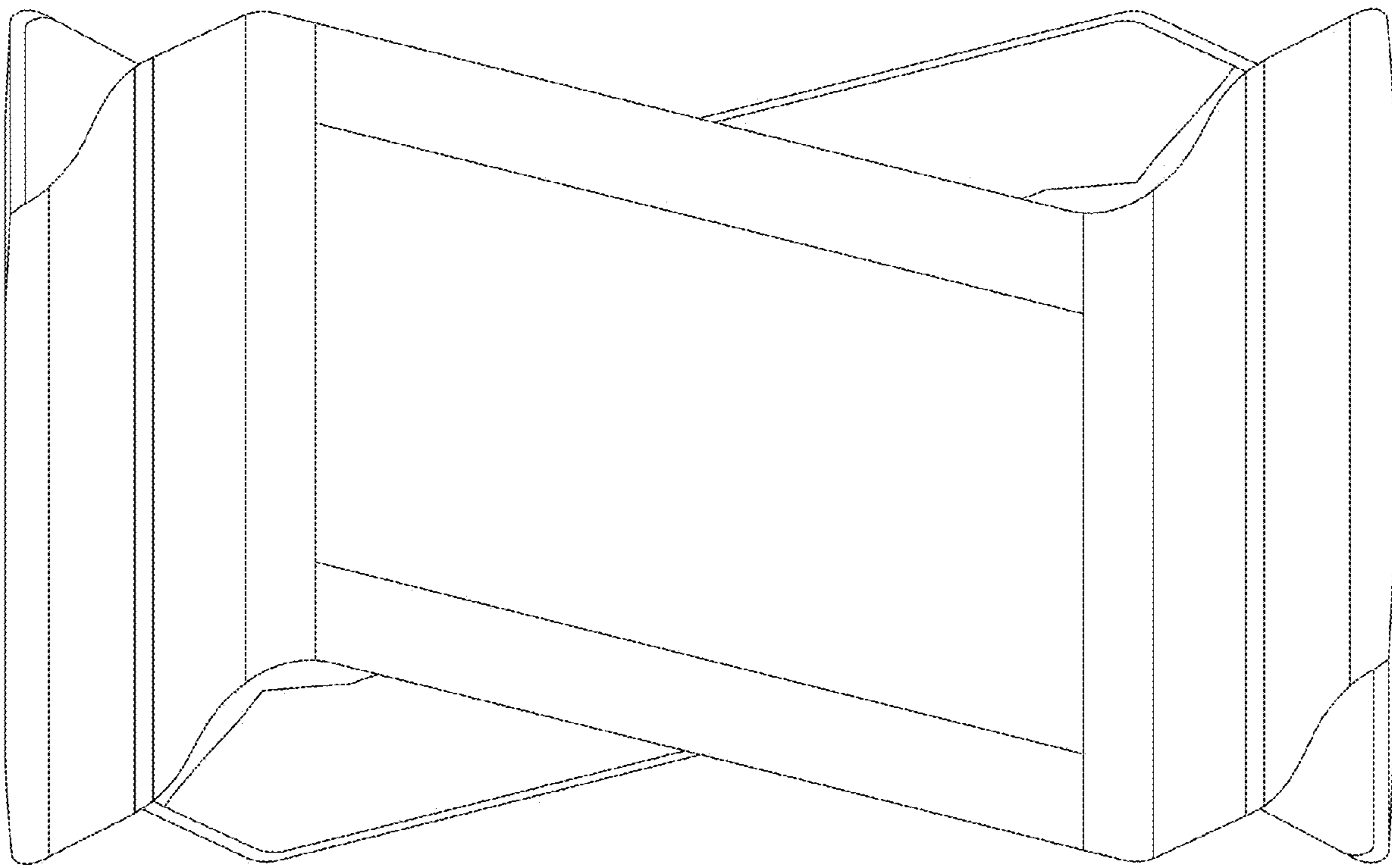
* cited by examiner



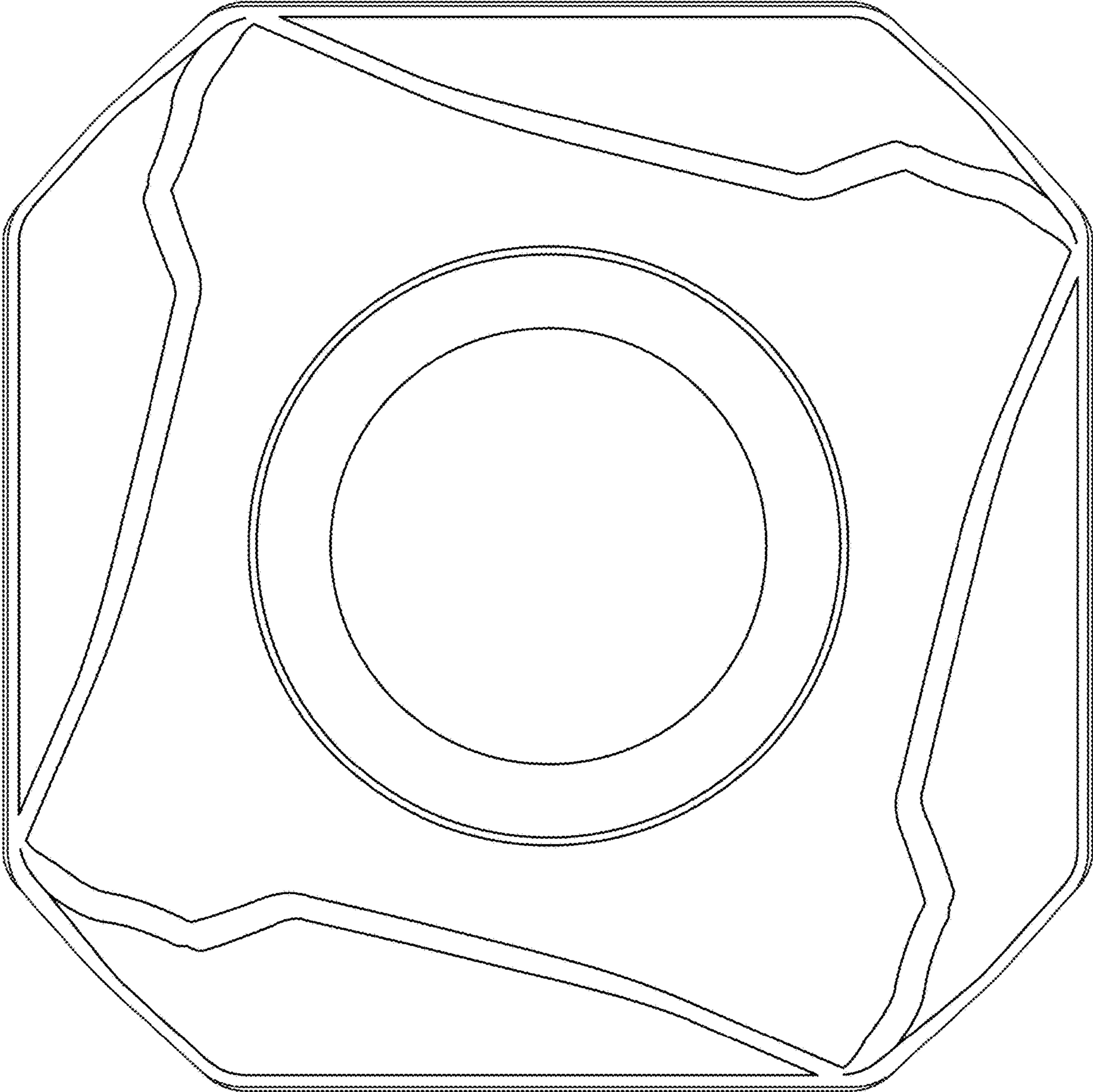
1.1



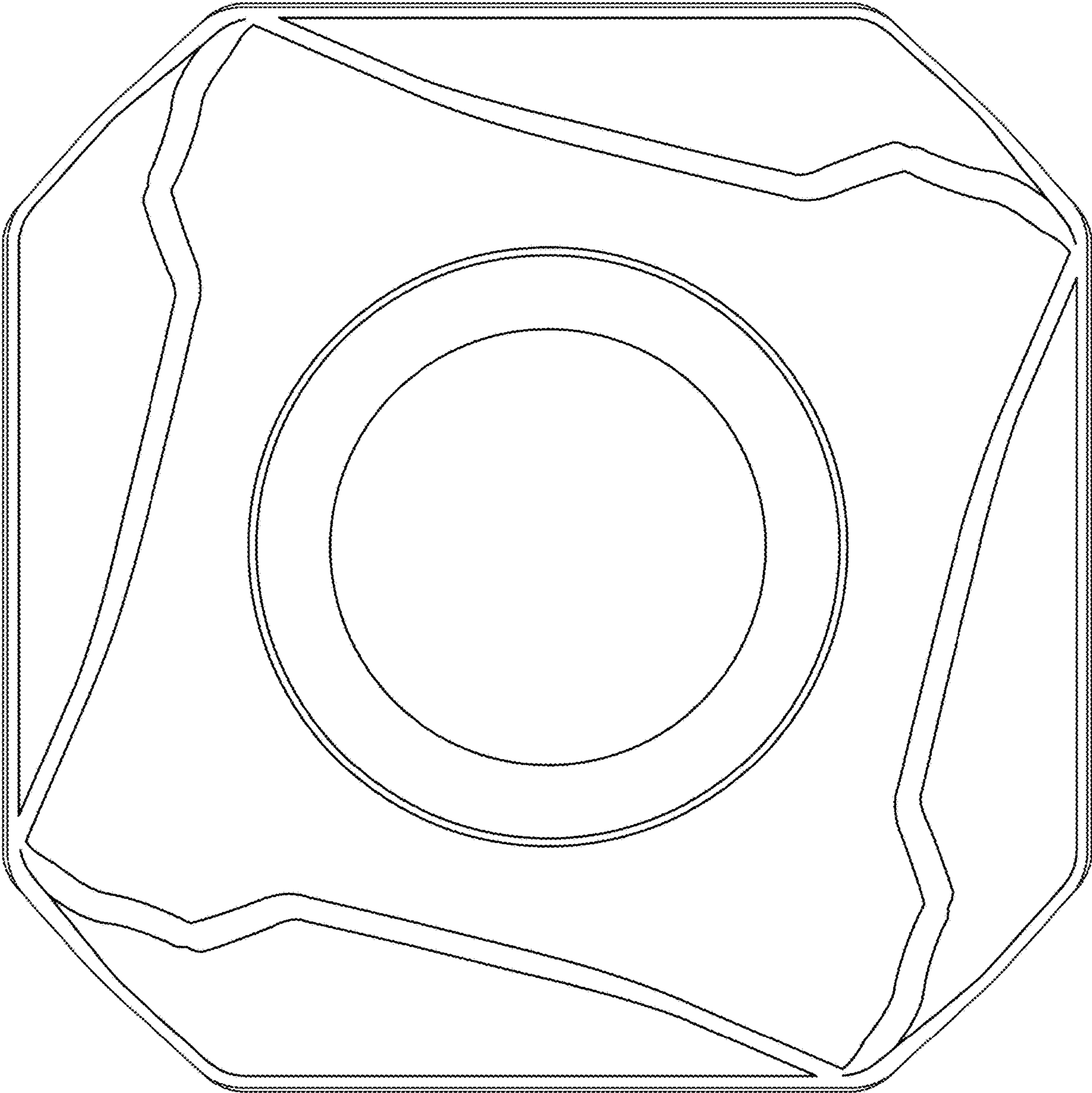
1.2



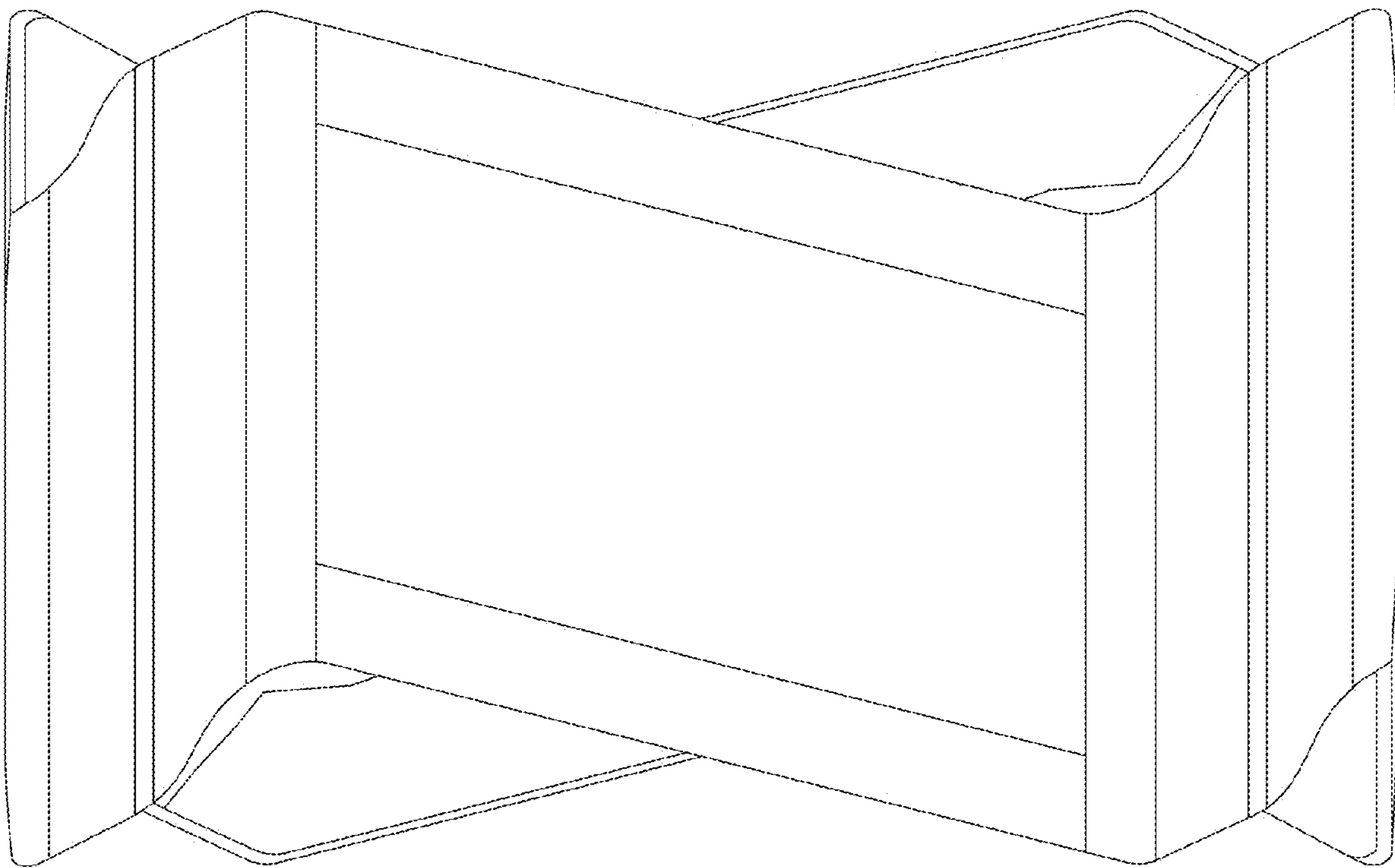
1.3



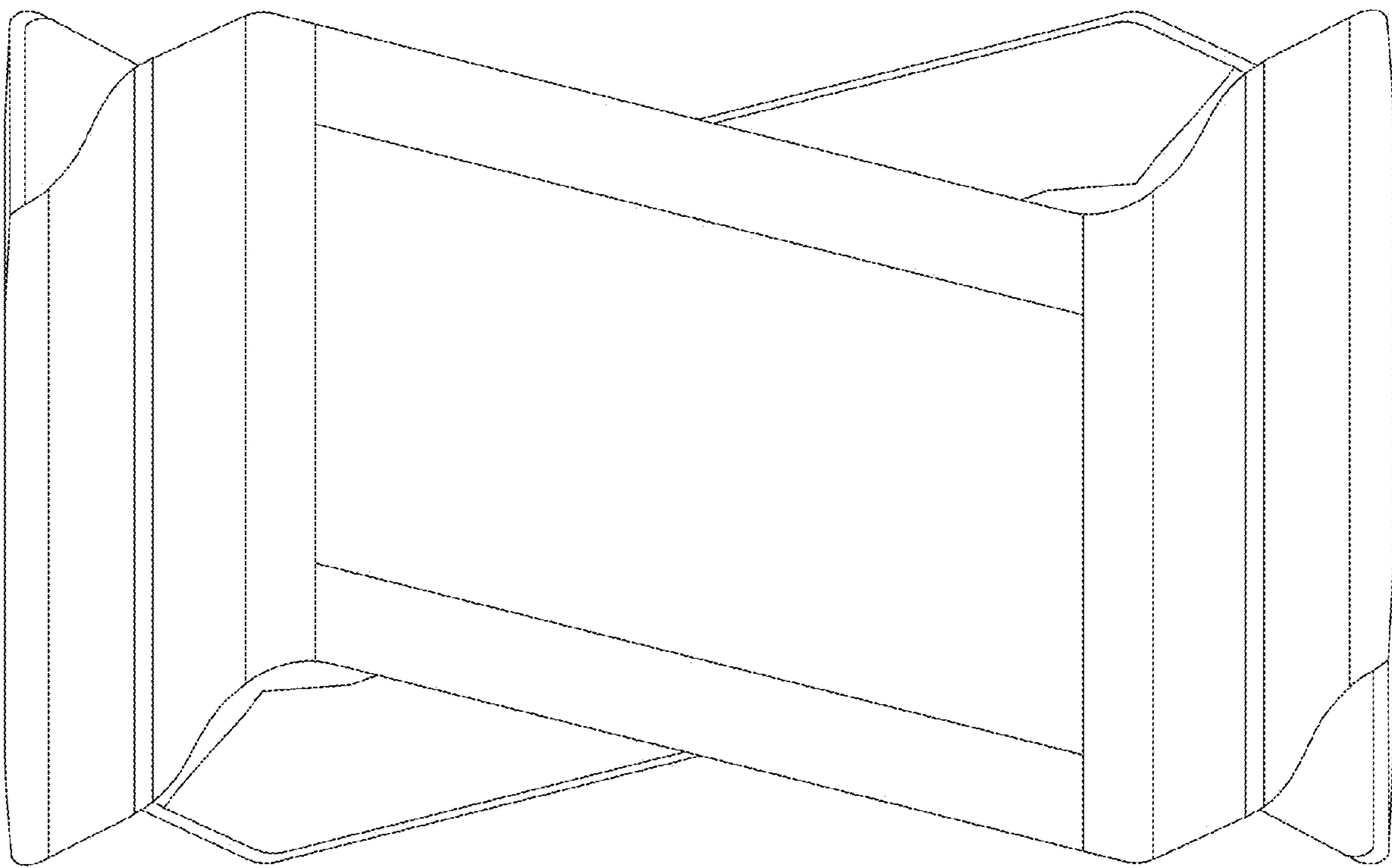
1.4



1.5



1.6



1.7