



US00D927571S

(12) **United States Design Patent** (10) **Patent No.:** **US D927,571 S**  
**Shin et al.** (45) **Date of Patent:** **\*\* Aug. 10, 2021**

(54) **CUTTING INSERT** 5,145,295 A \* 9/1992 Satran ..... B23C 5/2213  
407/113

(71) Applicant: **Korloy Inc.**, Seoul (KR) 5,207,538 A \* 5/1993 Satran ..... B23C 5/2213  
407/113

(72) Inventors: **Seon Ho Shin**, Cheongju-si (KR); **Ki Chan Nam**, Cheongju-si (KR); **Min Seok Oh**, Cheongju-si (KR); **Nam Seon Lee**, Cheongju-si (KR)  
D342,269 S \* 12/1993 Arai ..... D15/139  
D344,276 S \* 2/1994 Markusson ..... D15/139  
D345,984 S \* 4/1994 Ishikawa ..... D15/139  
D345,985 S \* 4/1994 Ishikawa ..... D15/139  
D355,661 S \* 2/1995 Hessman ..... D15/139  
D357,692 S \* 4/1995 Ishikawa ..... D15/139  
D376,158 S \* 12/1996 Hessman ..... D15/139  
D381,026 S \* 7/1997 Hessman ..... D15/139  
D409,633 S \* 5/1999 Bernadic ..... D15/139  
D422,608 S \* 4/2000 Malaker ..... D15/139  
D425,086 S \* 5/2000 Bernadic ..... D15/139  
D488,175 S \* 4/2004 Kasperik ..... D15/139  
7,168,512 B2 \* 1/2007 Schulfenhauer ..... B23C 5/207  
175/426

(\*\*) Term: **15 Years** D585,467 S \* 1/2009 Takanashi ..... D15/139  
D589,542 S \* 3/2009 Takanashi ..... D15/139  
D805,566 S \* 12/2017 Oh ..... D15/139  
D816,133 S \* 4/2018 Mura ..... D15/139  
D816,134 S \* 4/2018 Mura ..... D15/139

(21) Appl. No.: **35/509,147**

(22) Filed: **Jan. 20, 2020**

(80) **Hague Agreement Data**  
Int. Filing Date: **Jan. 20, 2020**  
Int. Reg. No.: **DM/207210**  
Int. Reg. Date: **Jan. 20, 2020**  
Int. Reg. Pub. Date: **Apr. 24, 2020**

(Continued)

(30) **Foreign Application Priority Data**  
Sep. 30, 2019 (KR) ..... 30-2019-0046849

(51) **LOC (13) Cl.** ..... **15-09**

(52) **U.S. Cl.**  
USPC ..... **D15/139**  
CPC ..... **B23C 5/207 (2013.01)**

(58) **Field of Classification Search**  
USPC ..... D15/124-144; D8/20, 70, 90, 98;  
407/59, 114; 409/139-140  
CPC ..... B23C 2200/0494; B23C 2200/086; B23C  
2200/128; B23C 2200/362; B23C 5/15;  
B23C 5/06; B23C 5/207; B23C 2200/367;  
B23C 2200/0422; B23B 27/007; B23B  
27/143; B23B 2200/321; B23B 2200/087  
See application file for complete search history.

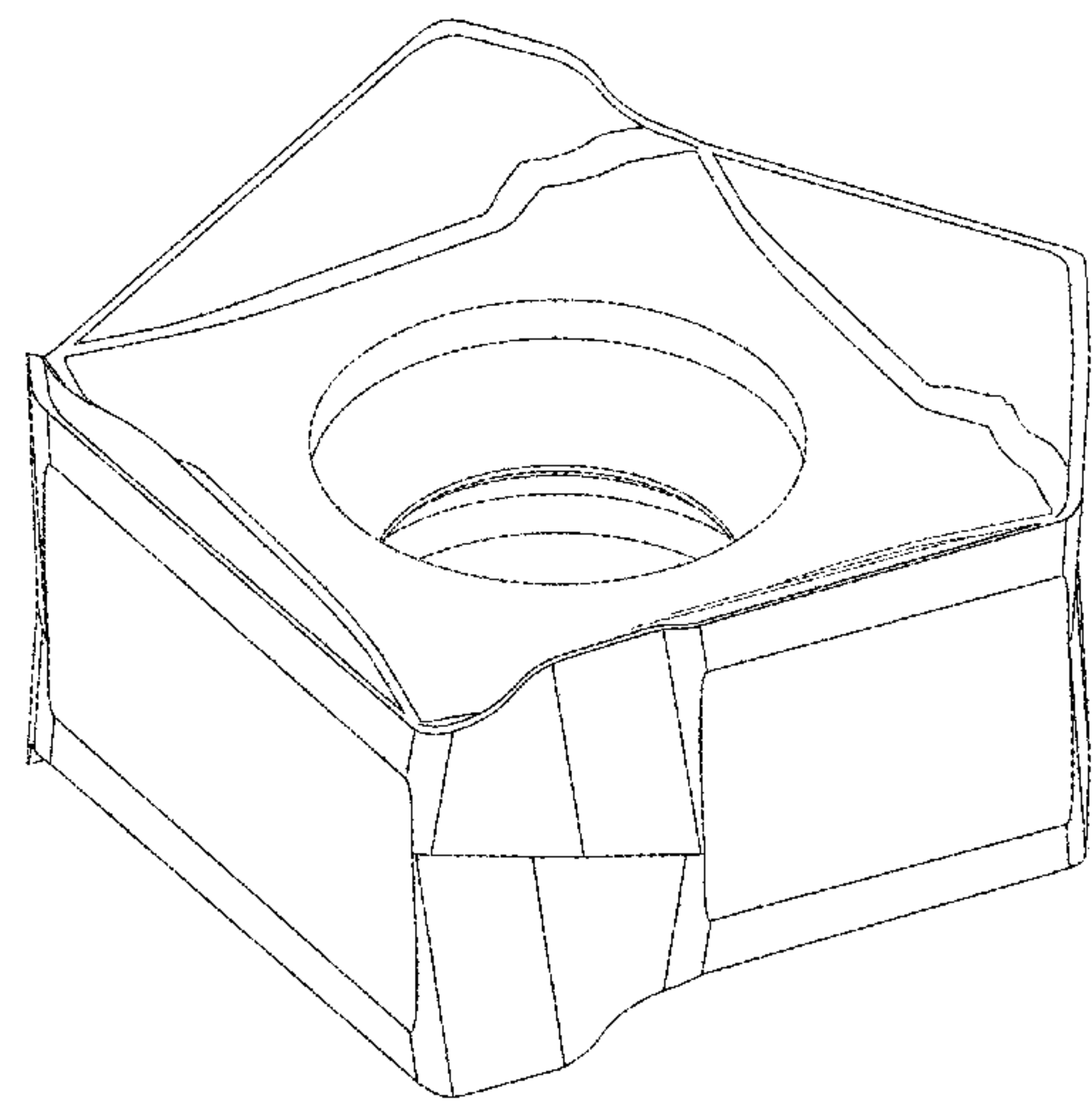
(56) **References Cited**  
U.S. PATENT DOCUMENTS  
D304,949 S \* 12/1989 Niebauer ..... D15/139  
D305,239 S \* 12/1989 Niebauer ..... D15/139

**FOREIGN PATENT DOCUMENTS**  
JP 1475961 S 8/2013  
*Primary Examiner* — Richard E Chilcot  
(74) *Attorney, Agent, or Firm* — Rabin & Berdo, P.C.

(57) **CLAIM**  
The ornamental design for a cutting insert, as shown and described.

**DESCRIPTION**  
1. Cutting insert  
1.1 : Perspective  
1.2 : Front  
1.3 : Back  
1.4 : Top  
1.5 : Bottom  
1.6 : Left  
1.7 : Right

**1 Claim, 7 Drawing Sheets**



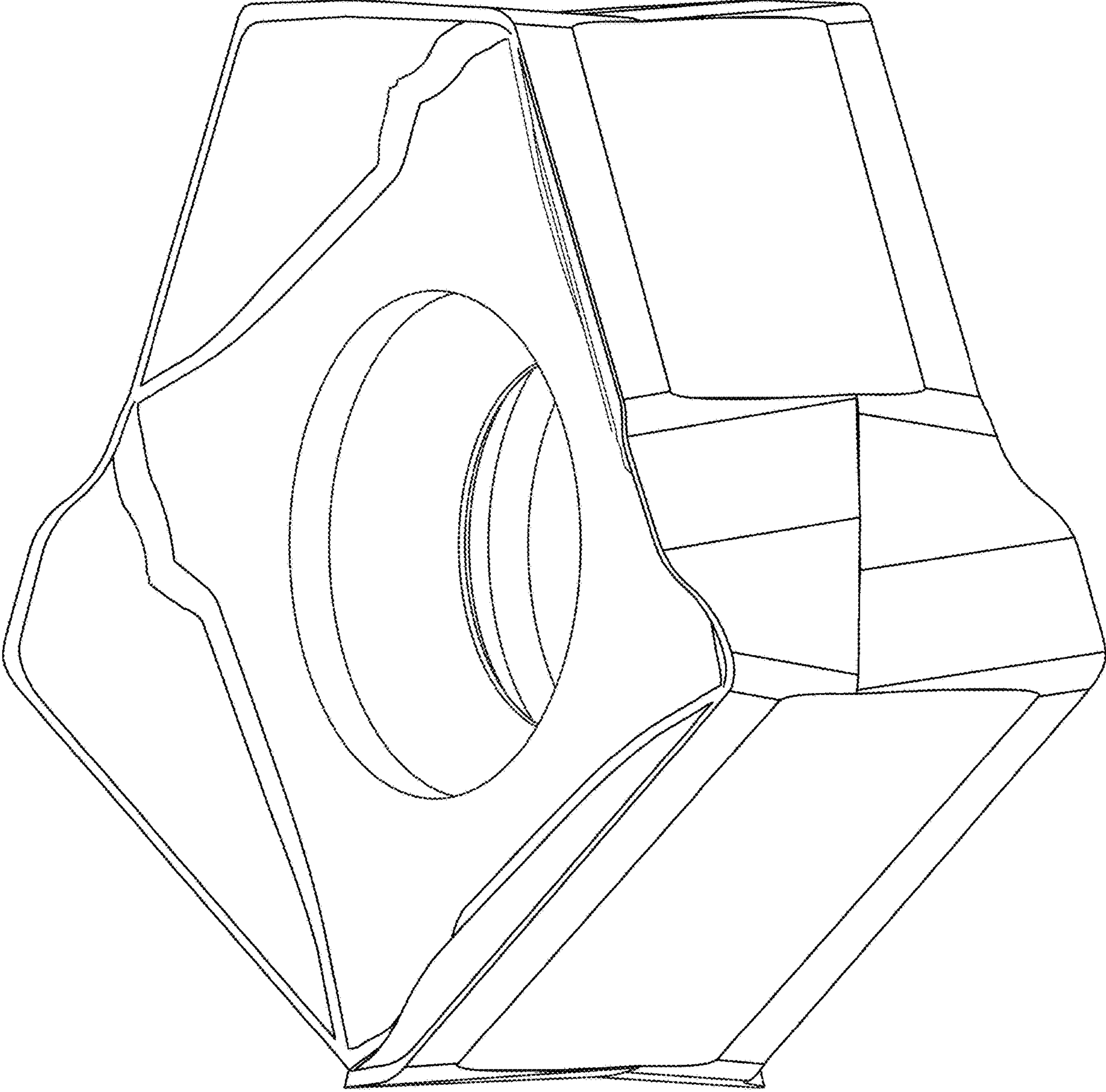
(56)

**References Cited**

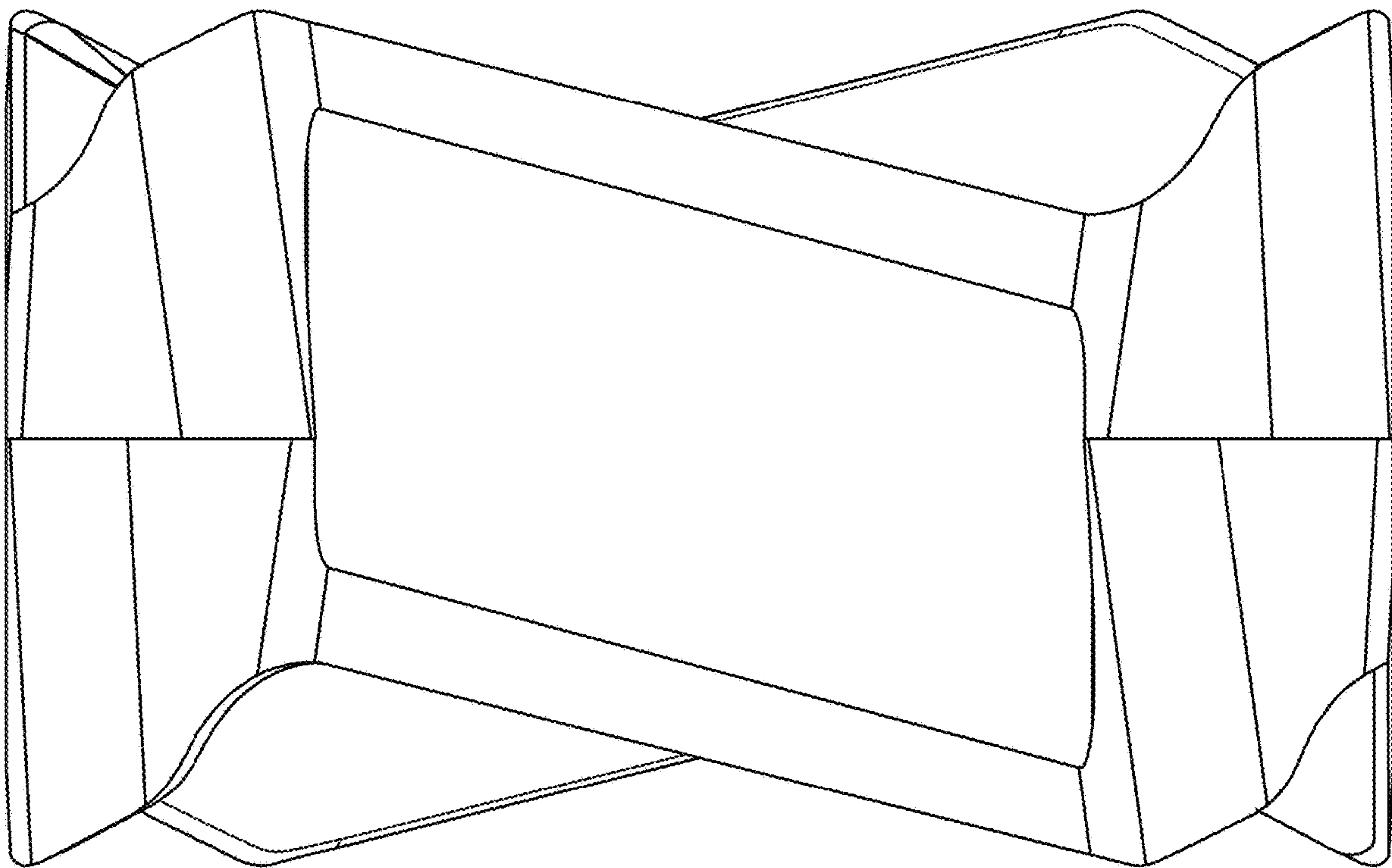
U.S. PATENT DOCUMENTS

D826,664 S *	8/2018	Matsubara .....	D8/20
D828,414 S *	9/2018	Takahashi .....	D15/139
D853,456 S *	7/2019	Aizawa .....	D15/138
D872,784 S *	1/2020	Inagaki .....	D15/139
D879,168 S *	3/2020	Zhao .....	D15/139
2015/0202697 A1 *	7/2015	Shiota .....	B23C 5/109 407/42
2015/0246398 A1 *	9/2015	Kawasaki .....	B23B 27/141 408/231

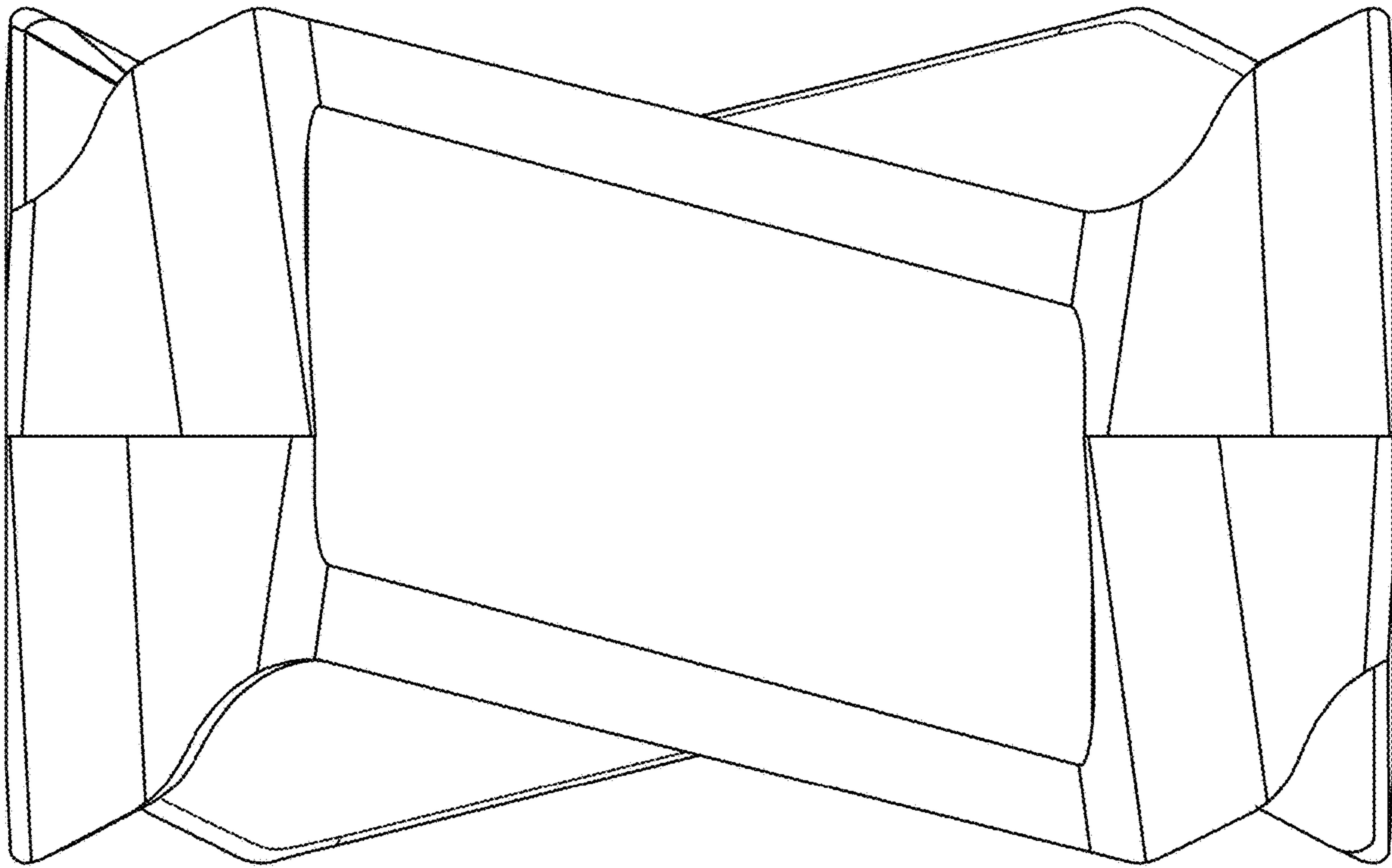
\* cited by examiner



1.1

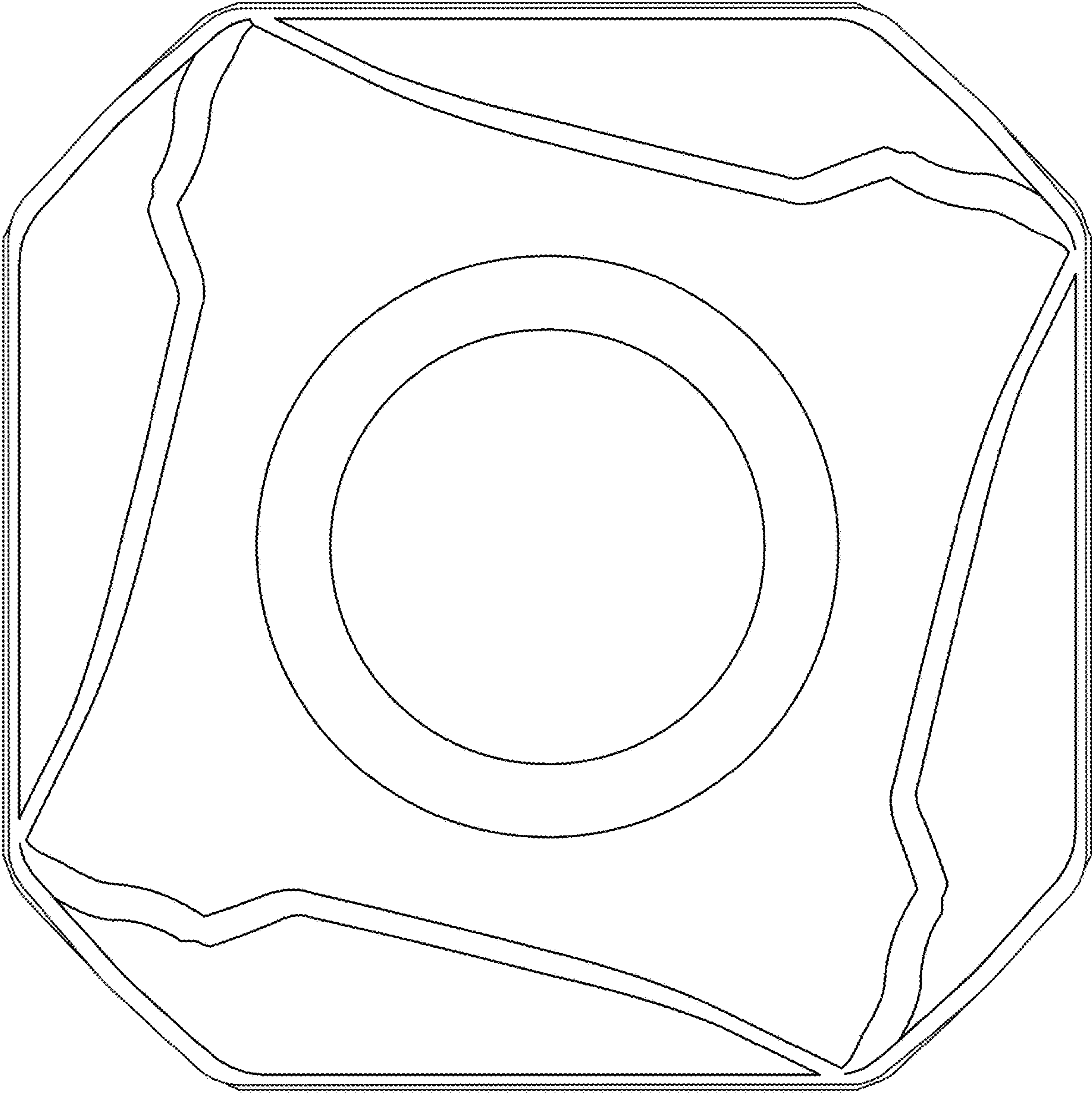


1.2

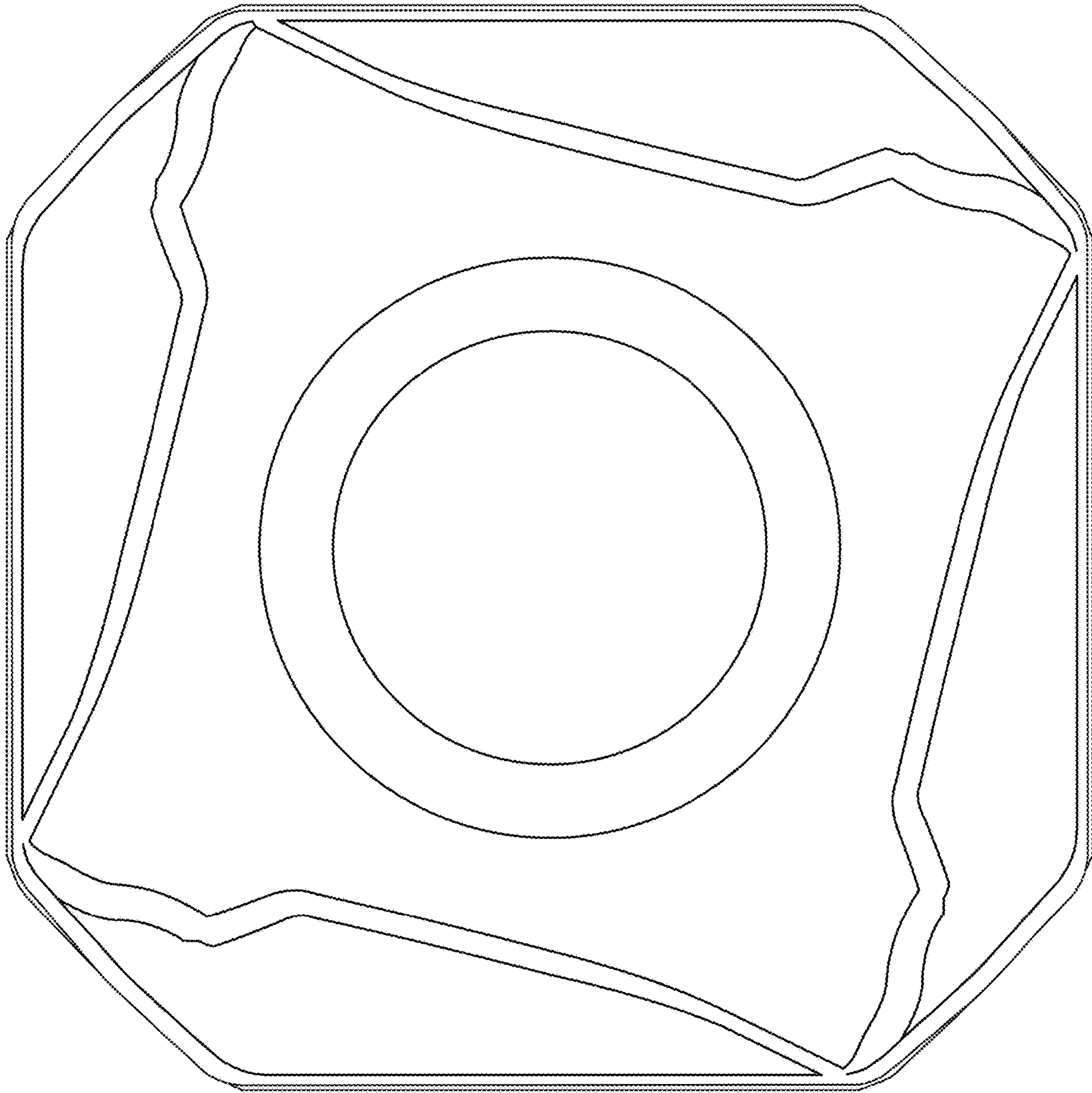


1.3

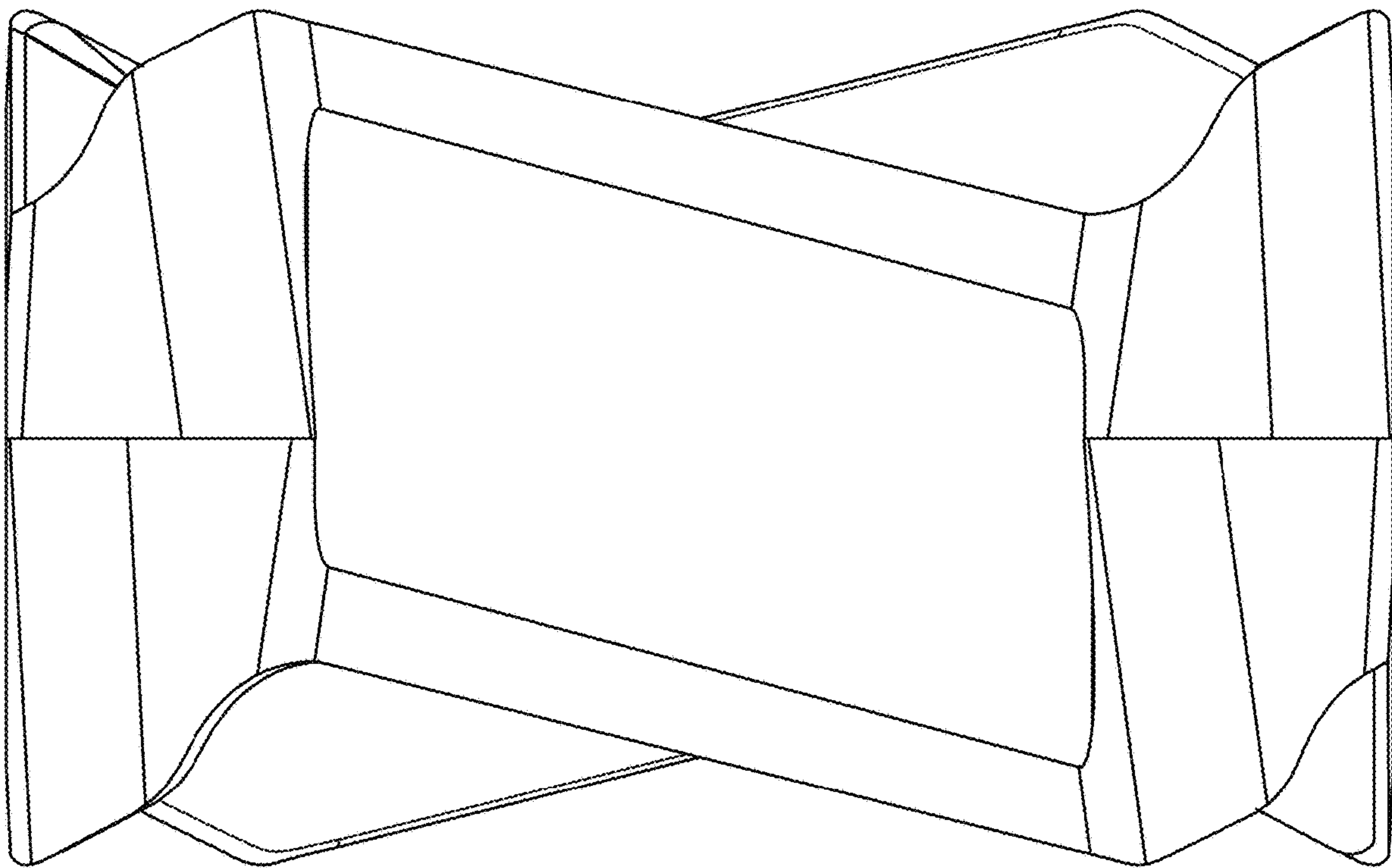




1.4

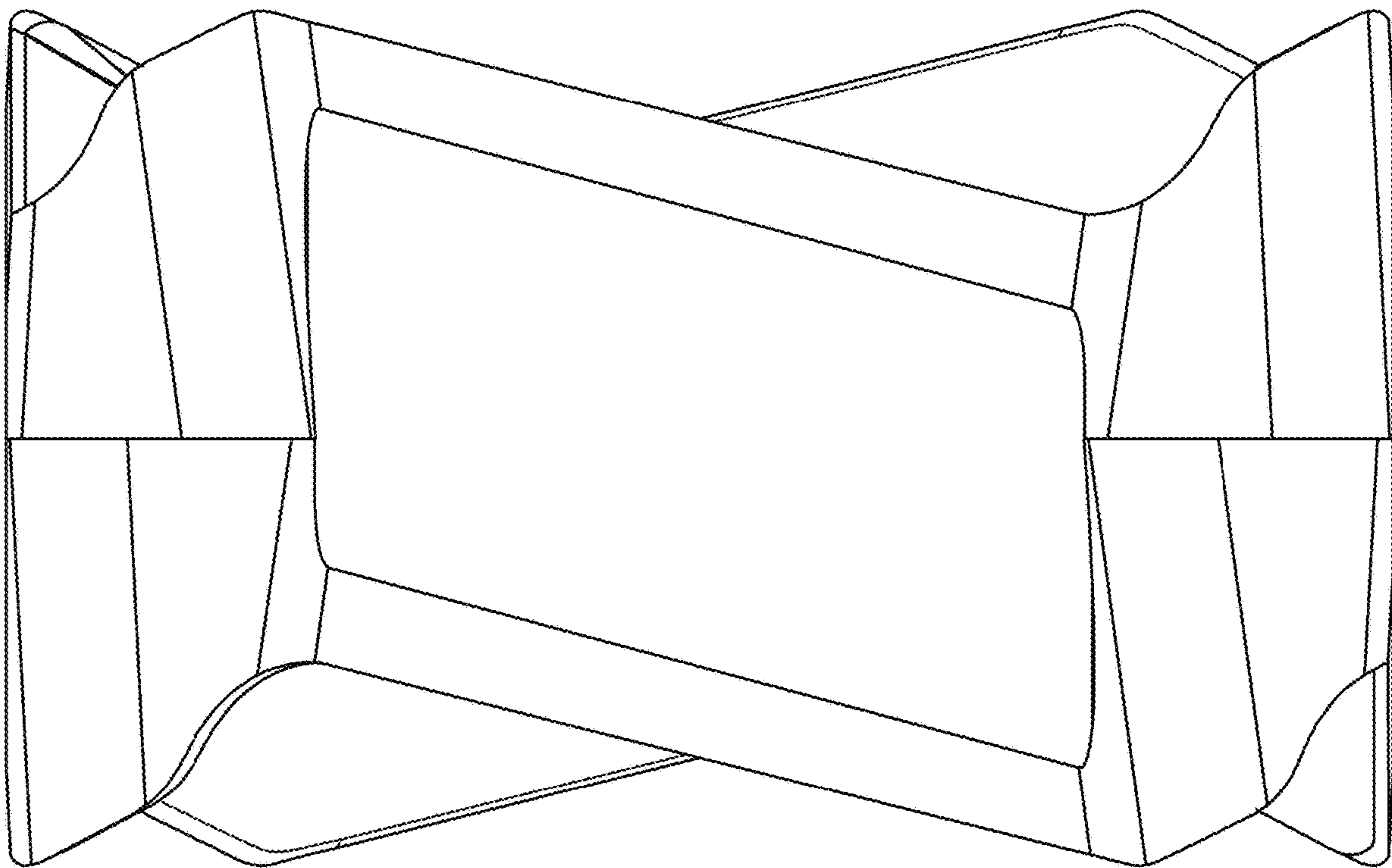


1.5



1.6





1.7