



US00D927569S

(12) **United States Design Patent**
Friederichs

(10) **Patent No.:** **US D927,569 S**

(45) **Date of Patent:** **** Aug. 10, 2021**

(54) **WASHER FOR A MILLING TOOL**

(71) Applicant: **Betek GmbH & Co. KG**, Aichhalden (DE)

(72) Inventor: **Heiko Friederichs**, Aichhalden-Rötenberg (DE)

(73) Assignee: **Betek GmbH & Co. KG**

(**) Term: **15 Years**

(21) Appl. No.: **29/778,049**

(22) Filed: **Apr. 9, 2021**

6,199,956 B1	3/2001	Kammerer
6,378,952 B1	4/2002	Moosmann et al.
6,428,111 B1	8/2002	Kammerer
6,431,656 B1	8/2002	Kammerer
6,508,516 B1	1/2003	Kammerer
6,592,304 B1	7/2003	Kammerer
6,619,757 B1	9/2003	Kammerer
6,644,755 B1	11/2003	Kammerer
D520,035 S	5/2006	Kammerer
D572,735 S	7/2008	Kammerer
7,490,912 B2	2/2009	Höll
D627,808 S	11/2010	Kammerer
D627,809 S	11/2010	Kammerer
D636,797 S	4/2011	Kammerer
7,922,256 B2	4/2011	Kammerer et al.
7,922,257 B2	4/2011	Kammerer
D637,213 S	5/2011	Kammerer
8,267,483 B2	9/2012	Kraemer et al.

(Continued)

Related U.S. Application Data

(62) Division of application No. 35/507,158, filed on Nov. 5, 2018 (U.S. filing date under 35 U.S.C. 384), and having an international filing date of Nov. 5, 2018, now Pat. No. Des. 918,973.

Foreign Application Priority Data

Aug. 1, 2018 (EM) 005519436

(51) **LOC (13) Cl.** **15-09**

(52) **U.S. Cl.**
USPC **D15/131**
CPC **E21C 35/197 (2013.01)**

(58) **Field of Classification Search**
USPC D8/70-74; D15/131, 132, 138, 139, 140
CPC E21C 35/18; E21C 35/183; E21C 35/1826;
E21C 35/19; E21C 35/197; E28D 1/186
See application file for complete search history.

References Cited

U.S. PATENT DOCUMENTS

4,547,020 A	10/1985	Ojanen
4,818,027 A	4/1989	Simon
5,683,144 A	11/1997	Kammerer et al.

Primary Examiner — Richard E Chilcot

(74) *Attorney, Agent, or Firm* — Lucian Wayne Beavers; Patterson Intellectual Property Law, PC

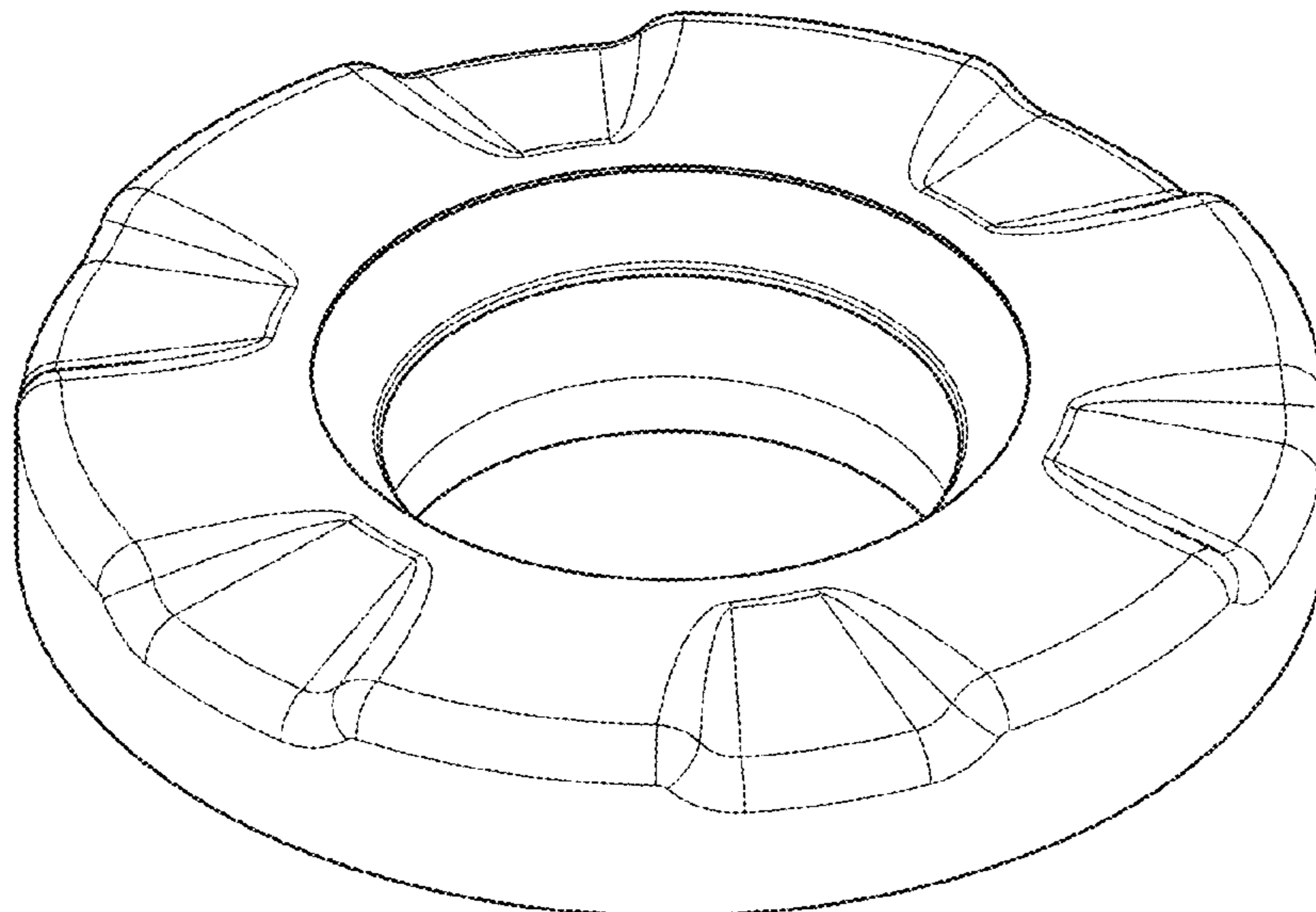
(57) **CLAIM**

What is claimed is the ornamental design for a washer for a milling tool, as shown and described.

DESCRIPTION

FIG. 1 bottom view of the washer for a milling tool.
FIG. 2 is right side elevation view of the washer for a milling tool of FIG. 1.
FIG. 3 is a front elevation view of the washer for a milling tool of FIG. 1.
FIG. 4 is a left side view of the washer for a milling tool of FIG. 1.
FIG. 5 is a rear elevation view of the washer for a milling tool of FIG. 1.
FIG. 6 is top view of the washer for a milling tool of FIG. 1; and,
FIG. 7 is left front perspective view of the washer for a milling tool of FIG. 1.

1 Claim, 7 Drawing Sheets



(56)

References Cited

U.S. PATENT DOCUMENTS

8,550,569 B2	10/2013	Wohrstein et al.	D868,122 S *	11/2019	Rose	D15/139
9,074,472 B2	7/2015	Lehnert et al.	D882,792 S *	4/2020	Qun	D24/146
D742,948 S	11/2015	Kenno et al.	D884,281 S *	5/2020	Pellereau	D28/73
D742,949 S	11/2015	Kenno et al.	10,662,770 B2	5/2020	Kammerer et al.	
D746,884 S	1/2016	Heilmeier et al.	D893,029 S *	8/2020	Qun	D24/146
9,234,424 B1	1/2016	Lehnert et al.	2005/0212345 A1 *	9/2005	Sleep	E21C 35/197 299/105
D772,315 S *	11/2016	Friederichs	2006/0125307 A1 *	6/2006	Sollami	E21C 35/197 299/107
D808,449 S *	1/2018	Buhr	2008/0223744 A1	9/2008	Tewes et al.	
D819,098 S *	5/2018	Buhr	2010/0295360 A1	11/2010	Kraemer et al.	
			2011/0204702 A1	8/2011	Lehnert et al.	
D824,436 S *	7/2018	Porturas	2012/0080930 A1	4/2012	Latham	
10,046,479 B2	8/2018	Lehnert et al.	2013/0307318 A1	11/2013	Kammerer et al.	
D841,063 S *	2/2019	Friederichs	2014/0191563 A1 *	7/2014	Elfgem	E21C 35/19 299/104
10,227,870 B2	3/2019	Lehnert et al.	2015/0091365 A1	4/2015	Laux et al.	
10,260,341 B2	4/2019	Kammerer et al.	2015/0252670 A1	9/2015	Wachsmann et al.	
10,385,690 B2	8/2019	Roth	2016/0229084 A1	8/2016	Lehnert et al.	
10,415,385 B2	9/2019	Kraemer et al.	2016/0230551 A1	8/2016	Lehnert et al.	
D863,386 S *	10/2019	Swope	2017/0074098 A1	3/2017	Roth	

* cited by examiner

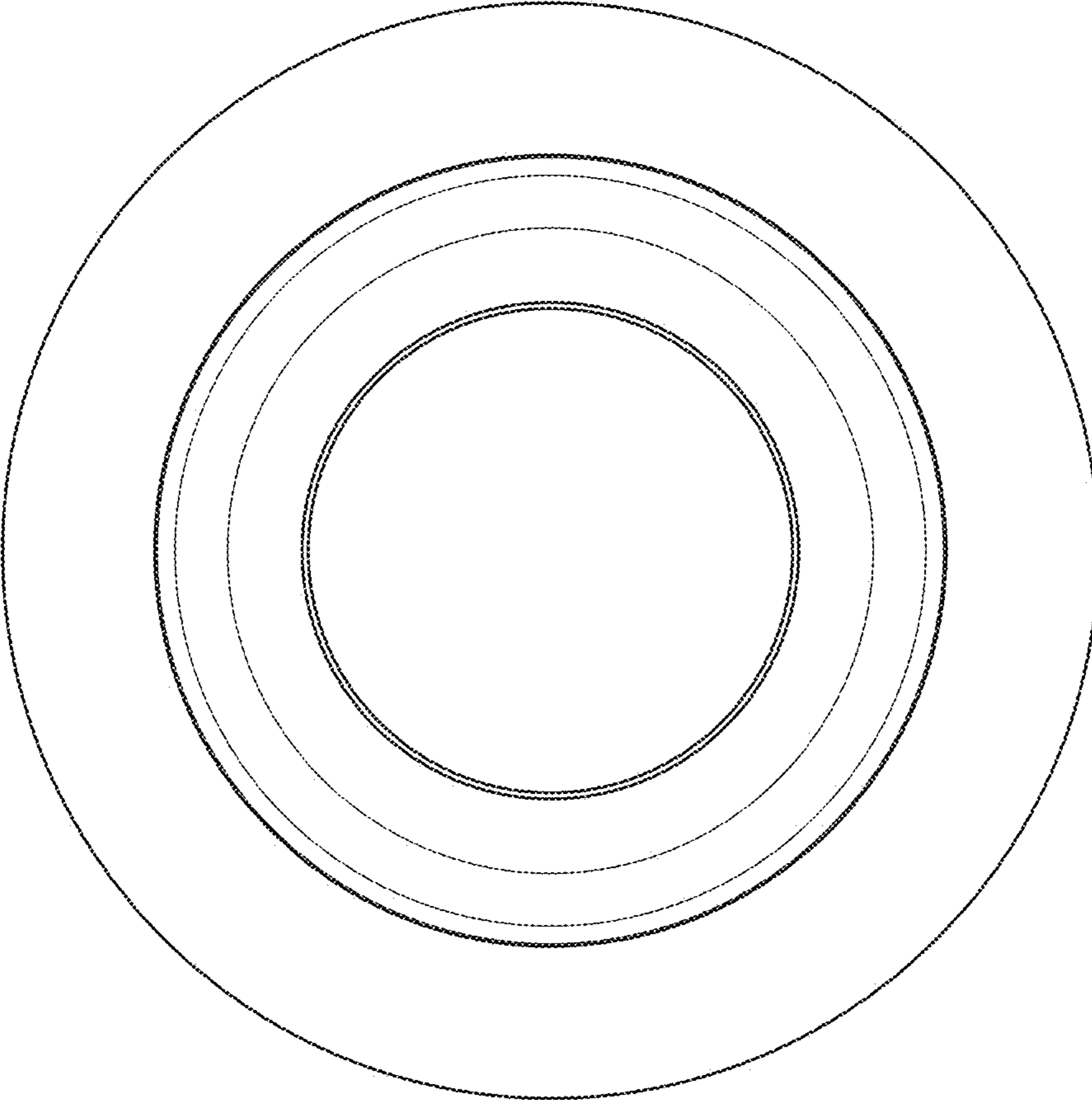


FIG. 1

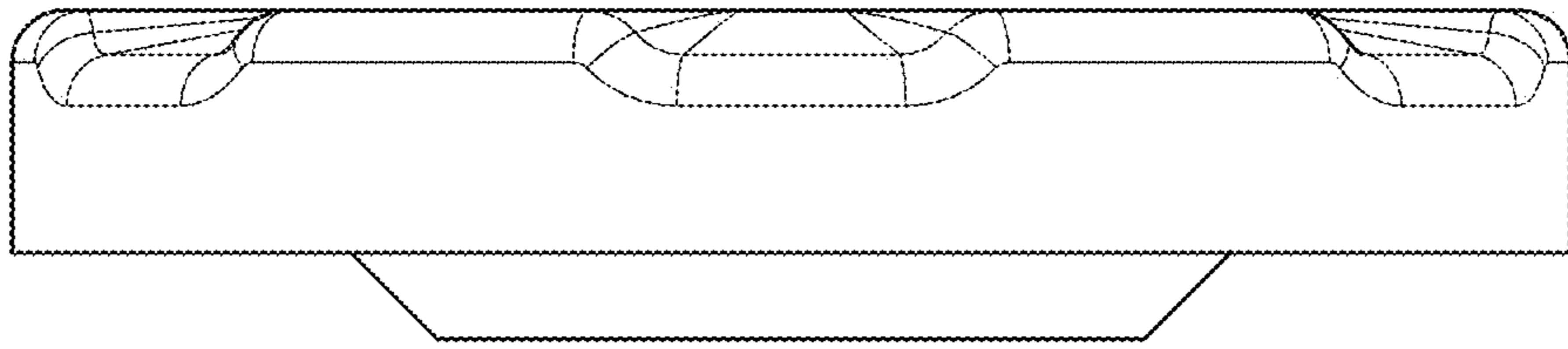


FIG. 2

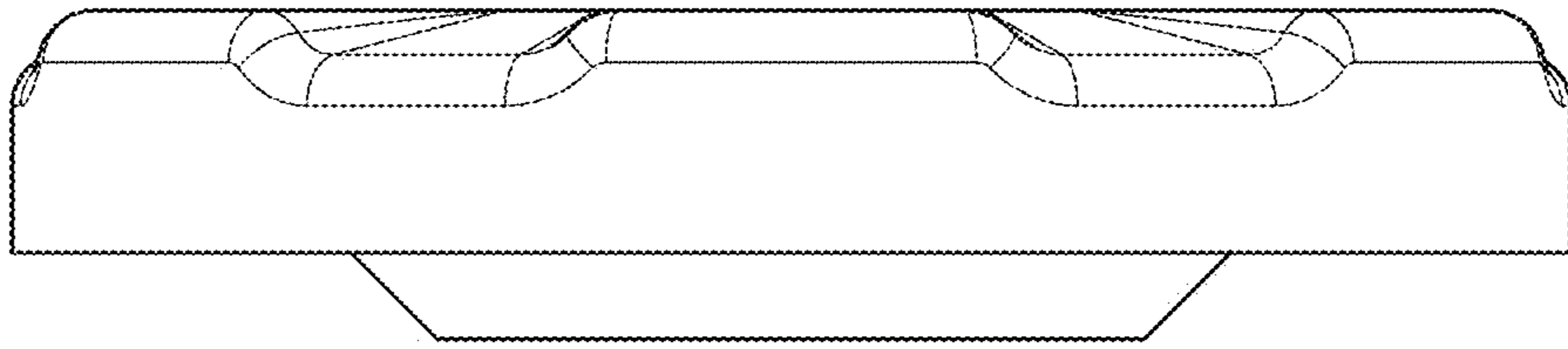


FIG. 3

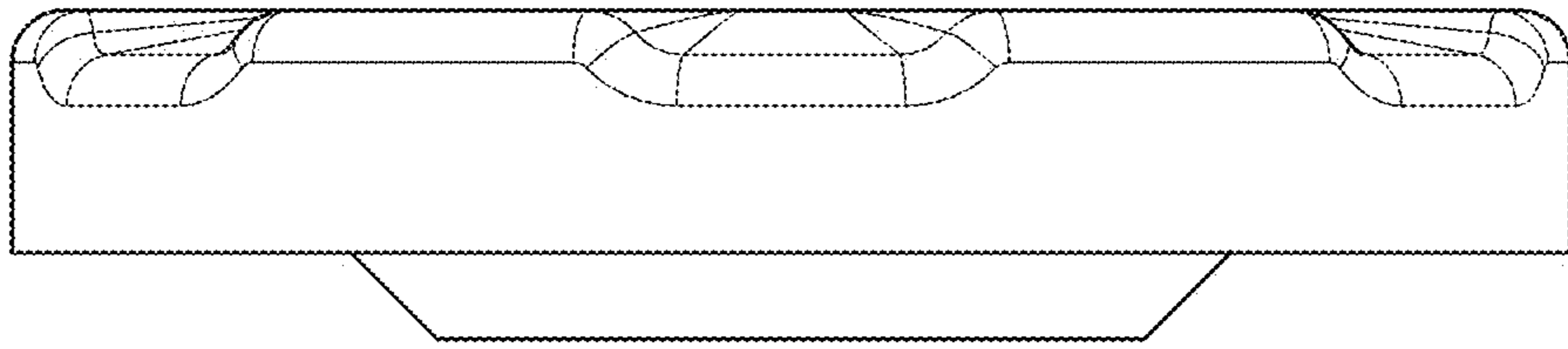


FIG. 4

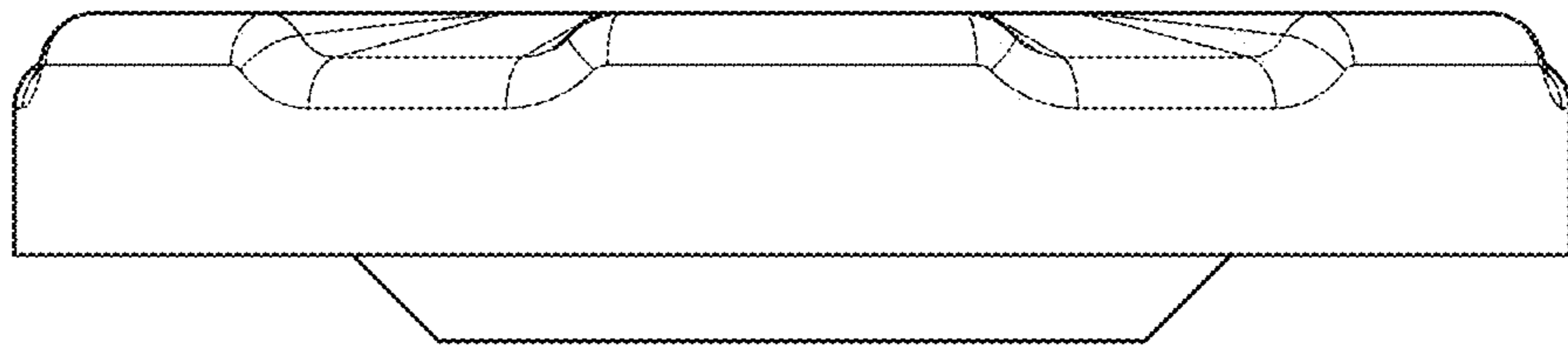


FIG. 5

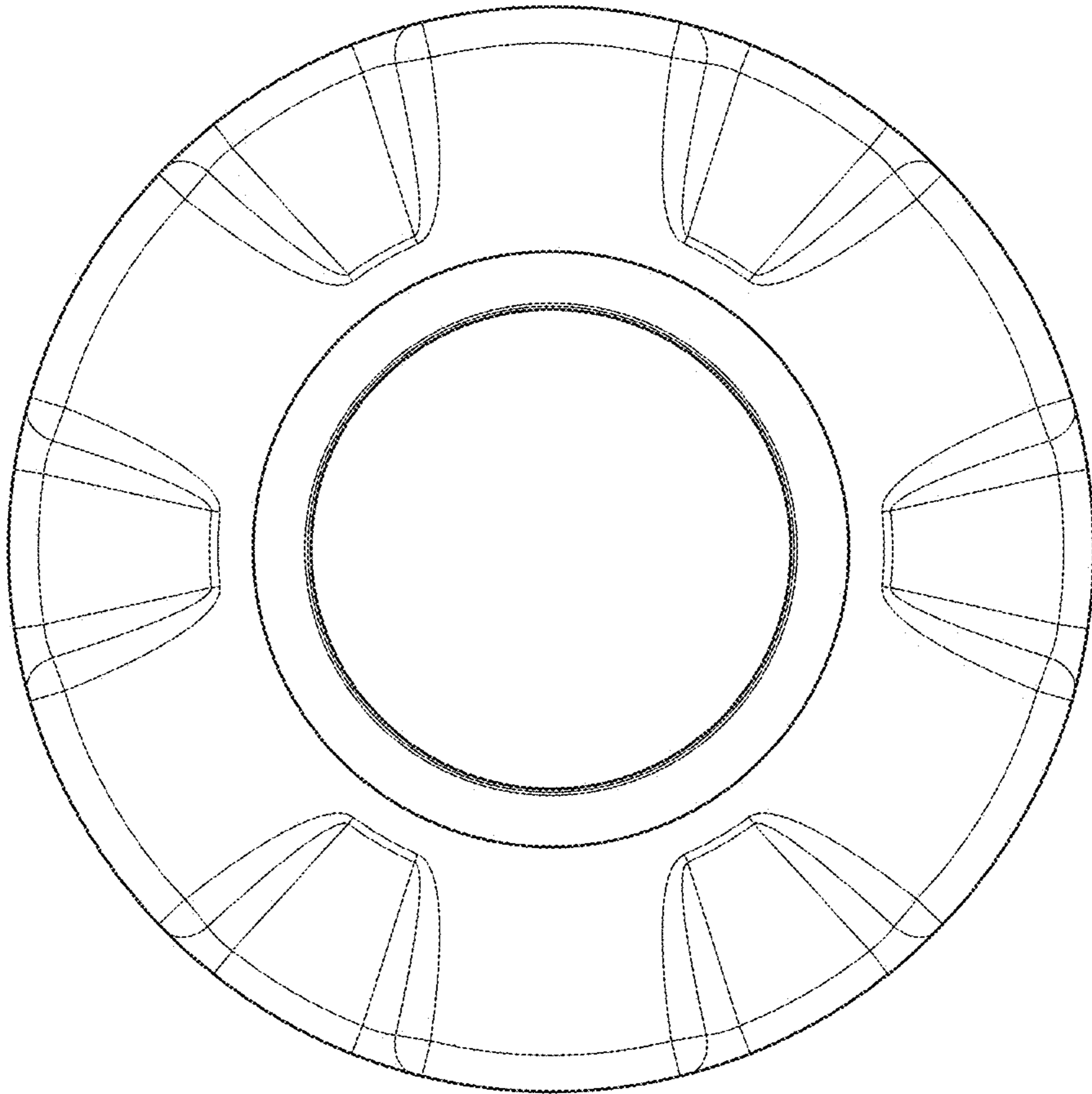


FIG. 6

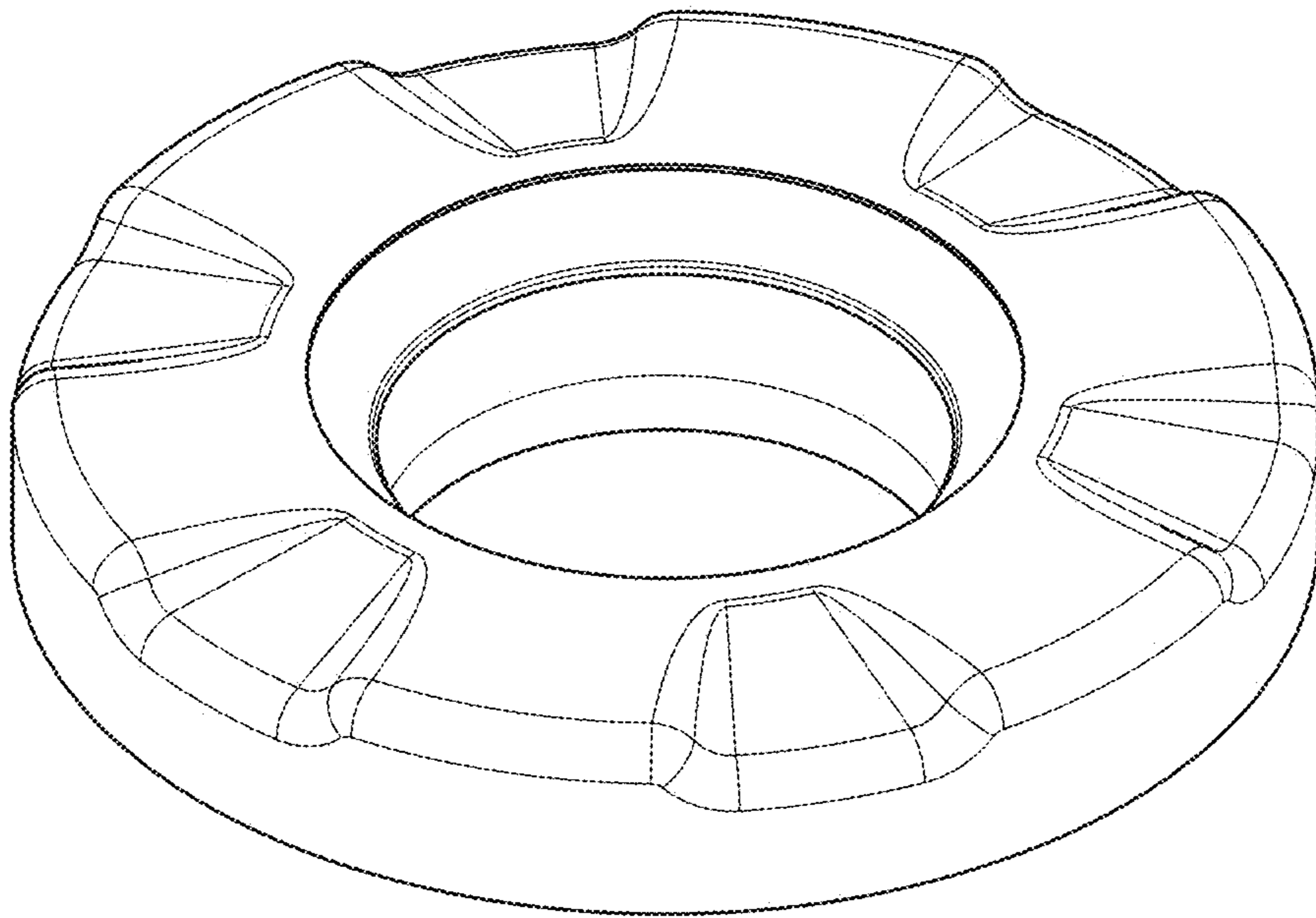


FIG. 7