



US00D927568S

(12) **United States Design Patent** (10) **Patent No.:** **US D927,568 S**
Friederichs (45) **Date of Patent:** **** Aug. 10, 2021**

(54) **MILLING TOOL**

(71) Applicant: **Betek GmbH & Co. KG**, Aichhalden (DE)

(72) Inventor: **Heiko Friederichs**, Aichhalden-Rötenberg (DE)

(73) Assignee: **Betek GmbH & Co. KG**

(**) Term: **15 Years**

(21) Appl. No.: **29/778,048**

(22) Filed: **Apr. 9, 2021**

Related U.S. Application Data

(62) Division of application No. 35/507,158, filed on Nov. 5, 2018 (U.S. filing date under 35 U.S.C. 384), and having an international filing date of Nov. 5, 2018, now Pat. No. Des. 918,973.

Foreign Application Priority Data

Aug. 1, 2018 (EM) 005519436

(51) **LOC (13) Cl.** **15-09**

(52) **U.S. Cl.**
USPC **D15/131**
CPC **E21C 35/18** (2013.01)

(58) **Field of Classification Search**
USPC D8/70-74; D15/131, 132, 138, 139, 140
CPC E21C 35/18; E21C 35/183; E21C 35/1826;
E21C 35/19; E28D 1/186
See application file for complete search history.

References Cited

U.S. PATENT DOCUMENTS

4,547,020 A 10/1985 Ojanen
4,818,027 A 4/1989 Simon
5,683,144 A 11/1997 Kammerer et al.

6,199,956 B1	3/2001	Kammerer
6,378,952 B1	4/2002	Moosmann et al.
6,428,111 B1	8/2002	Kammerer
6,431,656 B1	8/2002	Kammerer
6,508,516 B1	1/2003	Kammerer
6,592,304 B1	7/2003	Kammerer
6,619,757 B1	9/2003	Kammerer
6,644,755 B1	11/2003	Kammerer
D520,035 S	5/2006	Kammerer
D572,735 S	7/2008	Kammerer
7,490,912 B2	2/2009	Höll
D627,808 S	11/2010	Kammerer
D627,809 S	11/2010	Kammerer
D636,797 S	4/2011	Kammerer
7,922,256 B2	4/2011	Kammerer et al.
7,922,257 B2	4/2011	Kammerer
D637,213 S	5/2011	Kammerer
8,267,483 B2	9/2012	Kraemer et al.
8,550,569 B2	10/2013	Wohrstein et al.
9,074,472 B2	7/2015	Lehnert et al.
D742,948 S	11/2015	Kenno et al.

(Continued)

Primary Examiner — Richard E Chilcot

(74) *Attorney, Agent, or Firm* — Lucian Wayne Beavers; Patterson Intellectual Property Law, PC

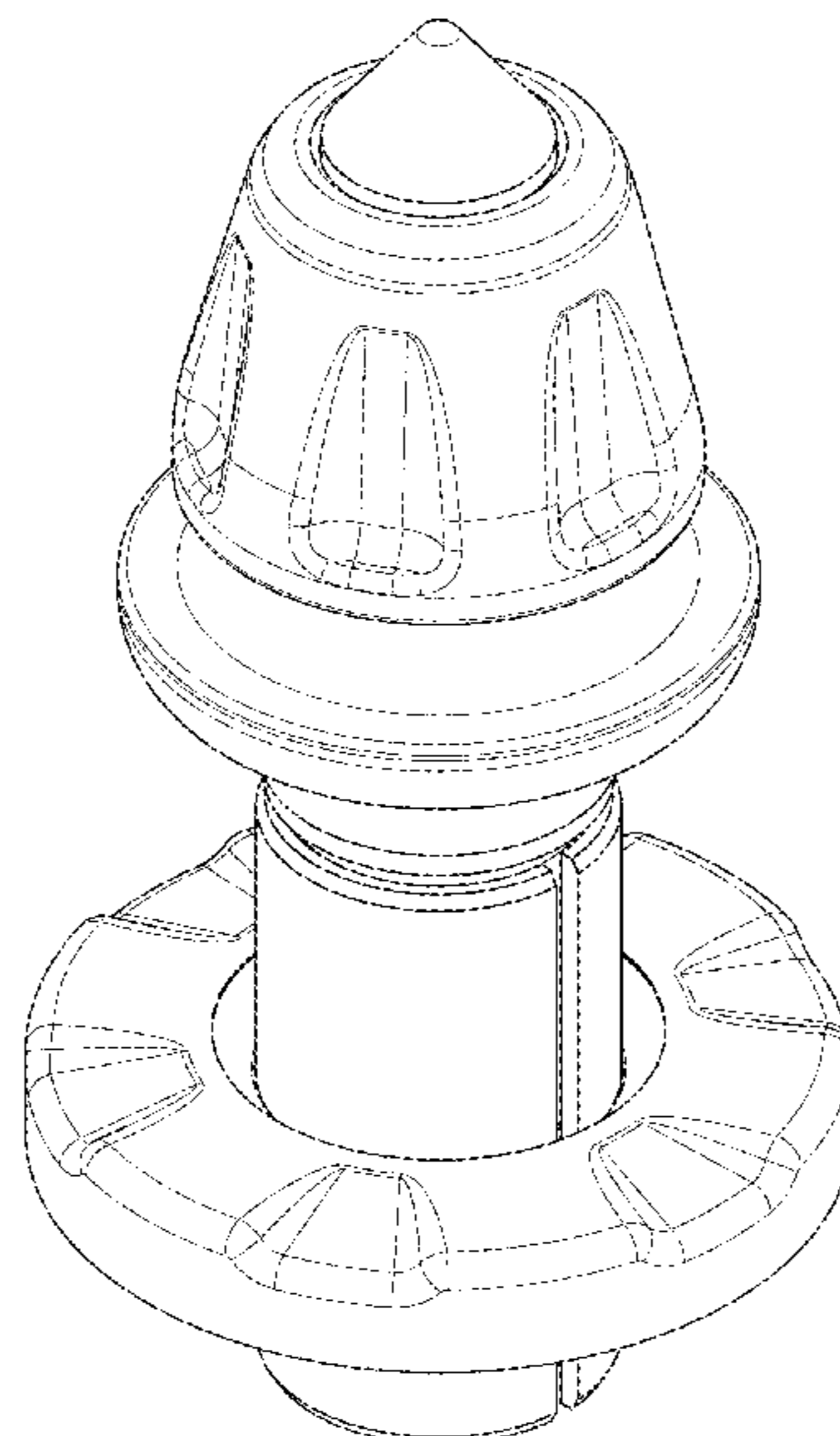
(57) **CLAIM**

What is claimed is the ornamental design for a milling tool, as shown and described.

DESCRIPTION

FIG. 1 bottom view of the milling tool.
 FIG. 2 is right side elevation view of the milling tool of FIG. 1.
 FIG. 3 is a front elevation view of the milling tool of FIG. 1.
 FIG. 4 is a left side view of the milling tool of FIG. 1.
 FIG. 5 is a rear elevation view of the milling tool of FIG. 1.
 FIG. 6 is top view of the milling tool of FIG. 1; and,
 FIG. 7 is left front perspective view of the milling tool of FIG. 1.

1 Claim, 7 Drawing Sheets



(56)

References Cited

U.S. PATENT DOCUMENTS

D742,949 S 11/2015 Kenno et al.
 D746,884 S 1/2016 Heilmeyer et al.
 9,234,424 B1 1/2016 Lehnert et al.
 D772,315 S * 11/2016 Friederichs D15/139
 D808,449 S * 1/2018 Buhr D15/139
 D819,098 S * 5/2018 Buhr E21C 35/18
 D15/139
 D824,436 S * 7/2018 Porturas D15/139
 10,046,479 B2 8/2018 Lehnert et al.
 D841,063 S * 2/2019 Friederichs D15/139
 10,227,870 B2 3/2019 Lehnert et al.
 10,260,341 B2 4/2019 Kammerer et al.
 10,385,690 B2 8/2019 Roth
 10,415,385 B2 9/2019 Kraemer et al.
 D863,386 S * 10/2019 Swope D15/139
 D868,122 S * 11/2019 Rose D15/139
 D882,792 S * 4/2020 Qun D24/146

D884,281 S * 5/2020 Pellereau D28/73
 10,662,770 B2 5/2020 Kammerer et al.
 D893,029 S * 8/2020 Qun D24/146
 2005/0212345 A1 * 9/2005 Sleep E21C 35/197
 299/105
 2006/0125307 A1 * 6/2006 Sollami E21C 35/197
 299/107
 2008/0223744 A1 9/2008 Tewes et al.
 2010/0295360 A1 11/2010 Kraemer et al.
 2011/0204702 A1 8/2011 Lehnert et al.
 2012/0080930 A1 4/2012 Latham
 2013/0307318 A1 11/2013 Kammerer et al.
 2014/0191563 A1 * 7/2014 Elfgen E21C 35/19
 299/104
 2015/0091365 A1 4/2015 Laux et al.
 2015/0252670 A1 9/2015 Wachsmann et al.
 2016/0229084 A1 8/2016 Lehnert et al.
 2016/0230551 A1 8/2016 Lehnert et al.
 2017/0074098 A1 3/2017 Roth

* cited by examiner

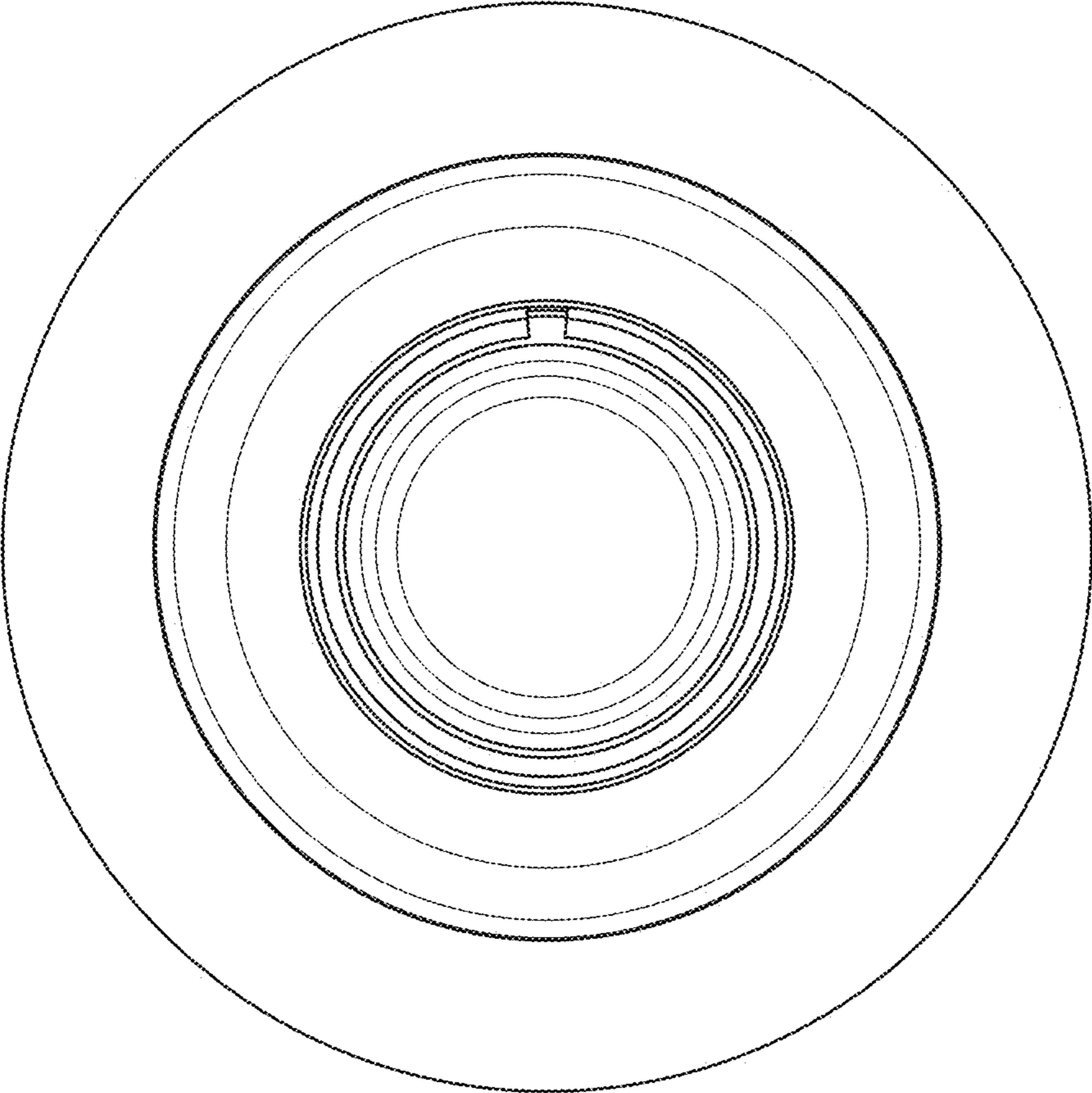


FIG. 1

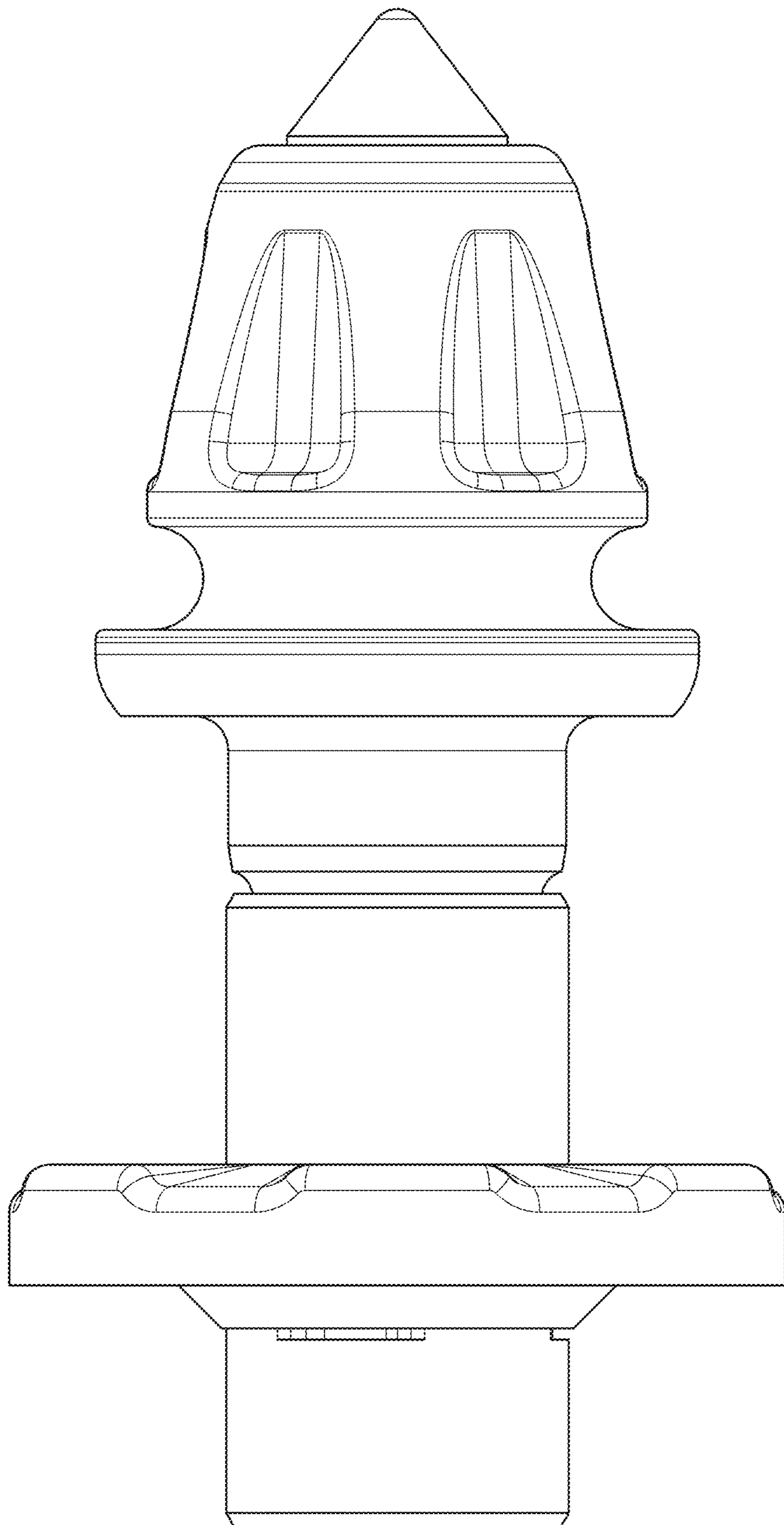


FIG. 2

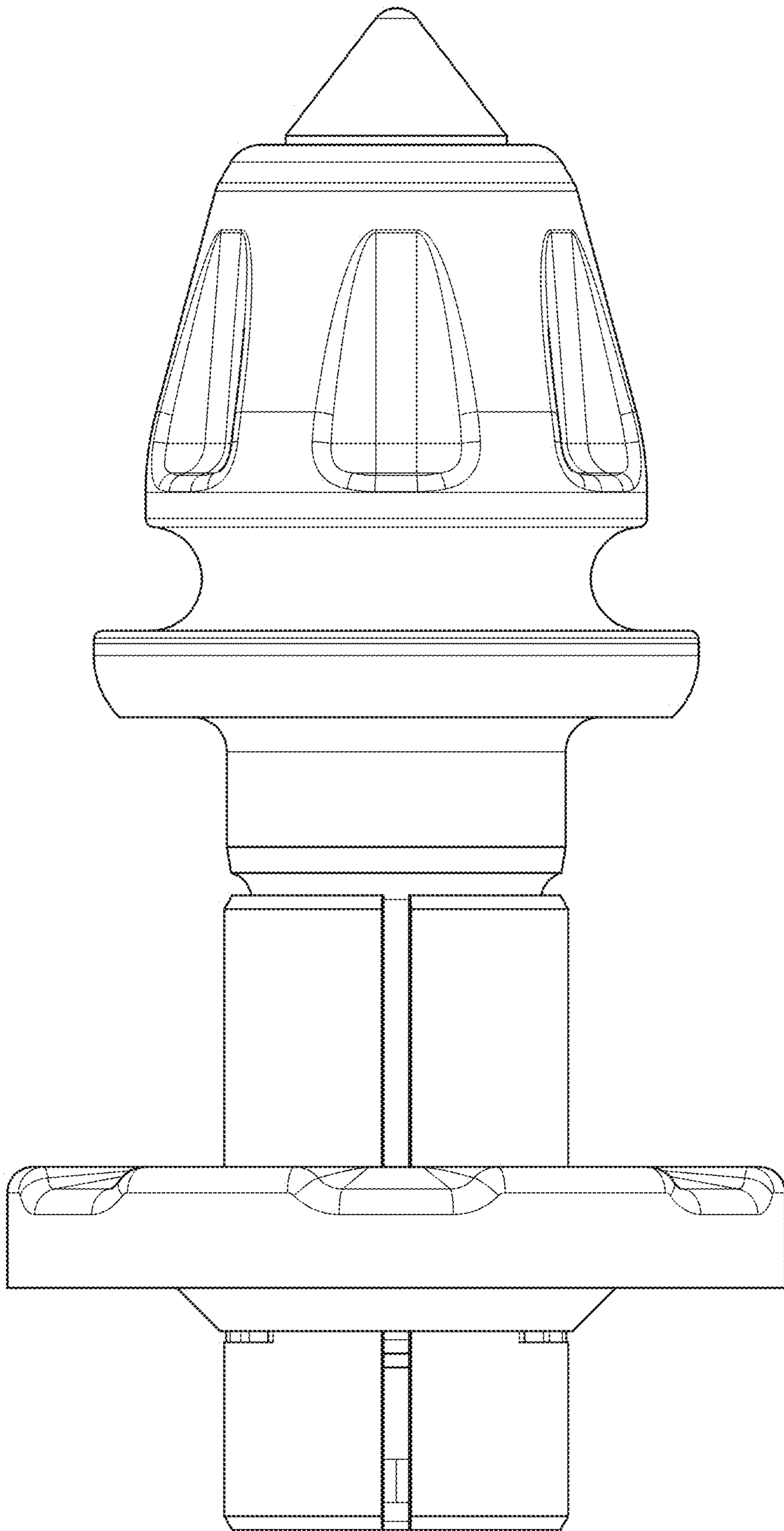


FIG. 3

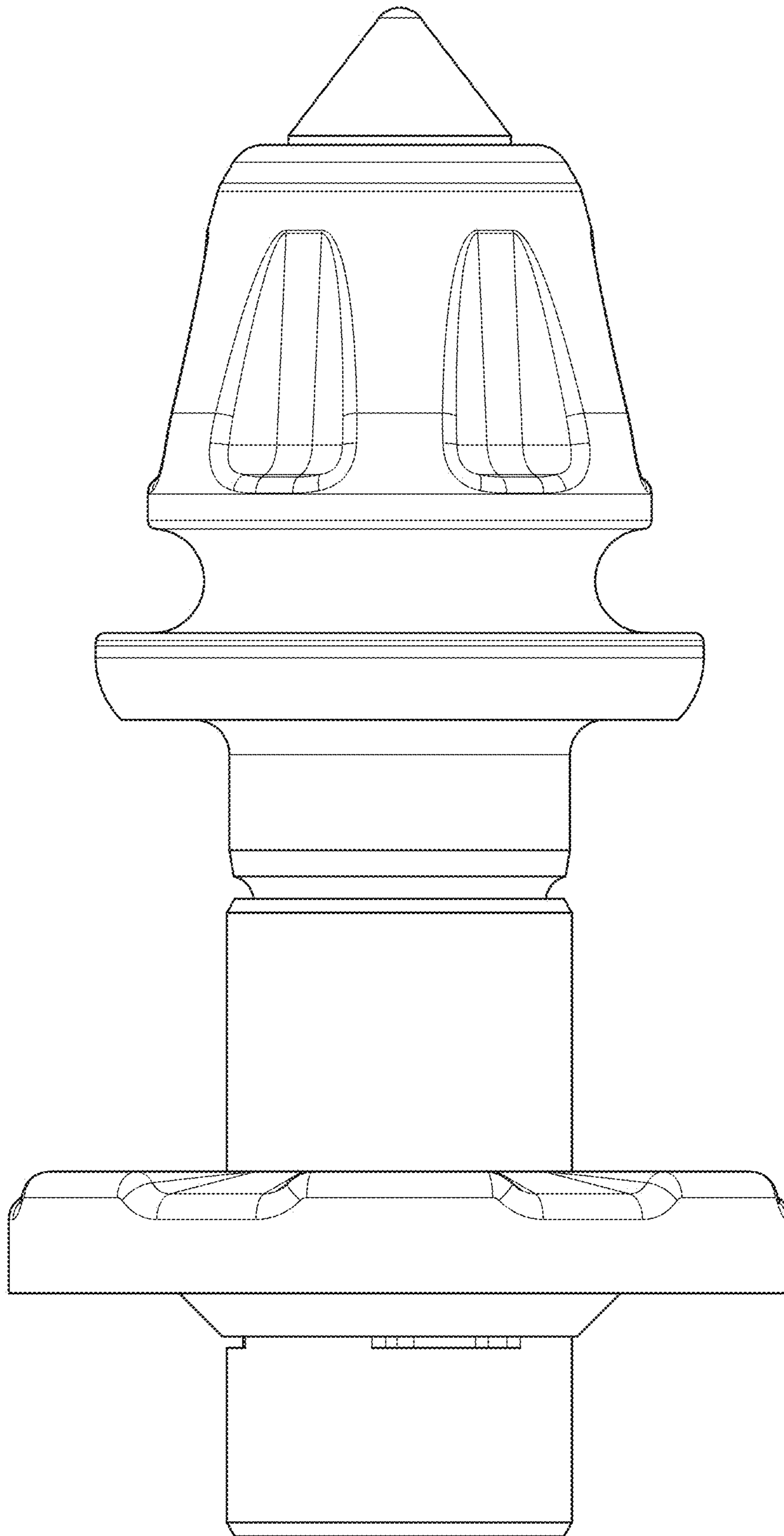


FIG. 4

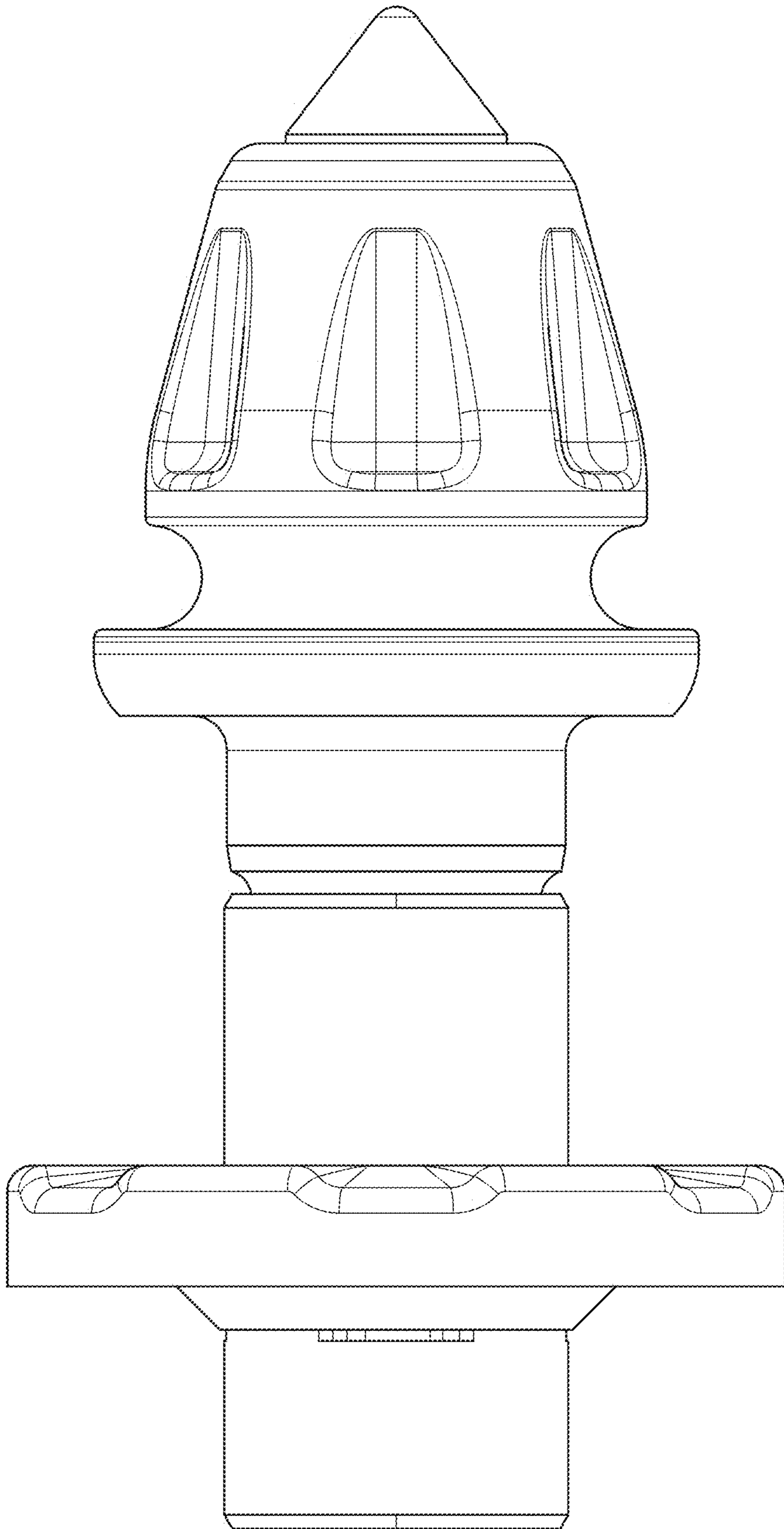


FIG. 5

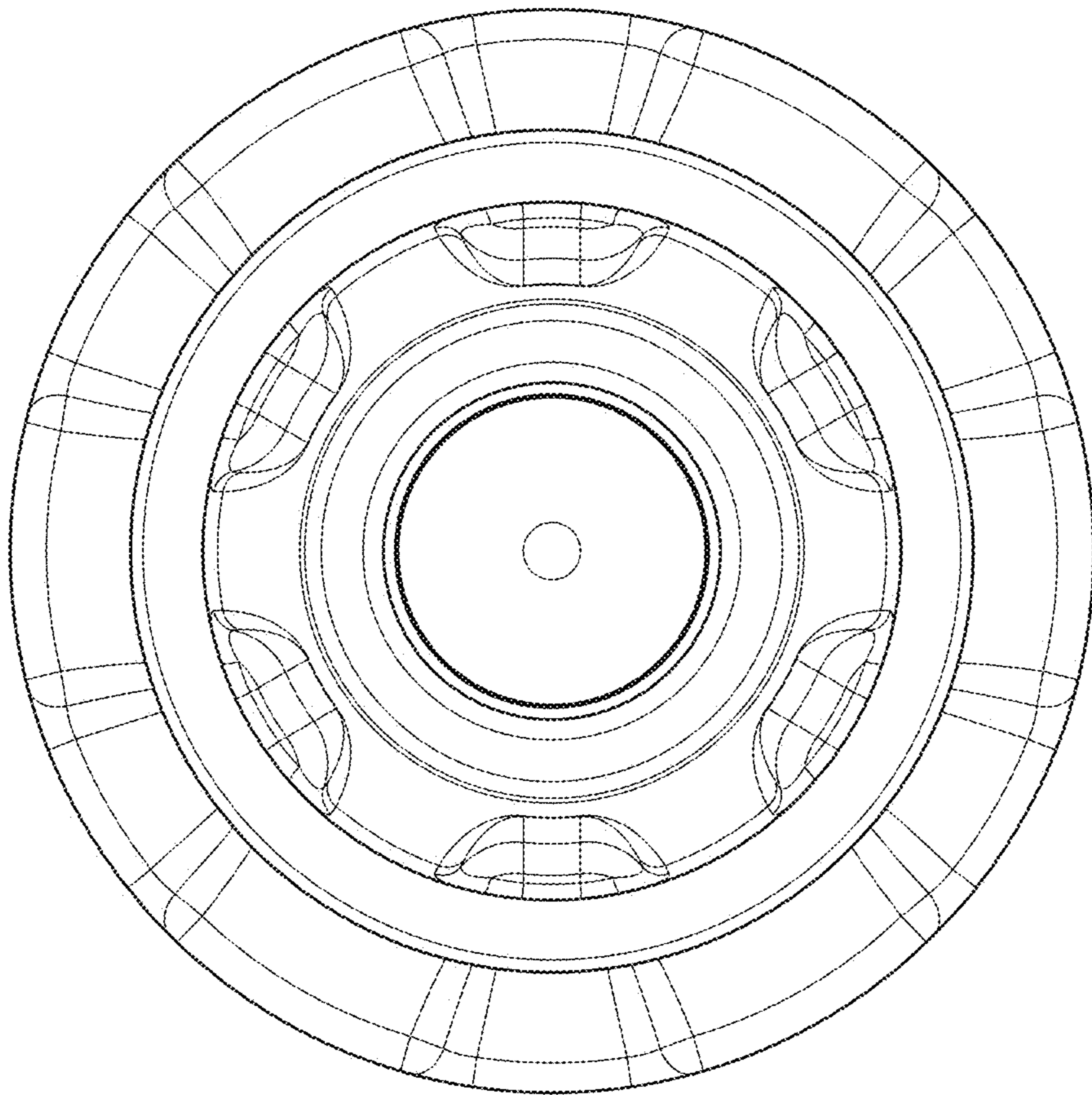


FIG. 6

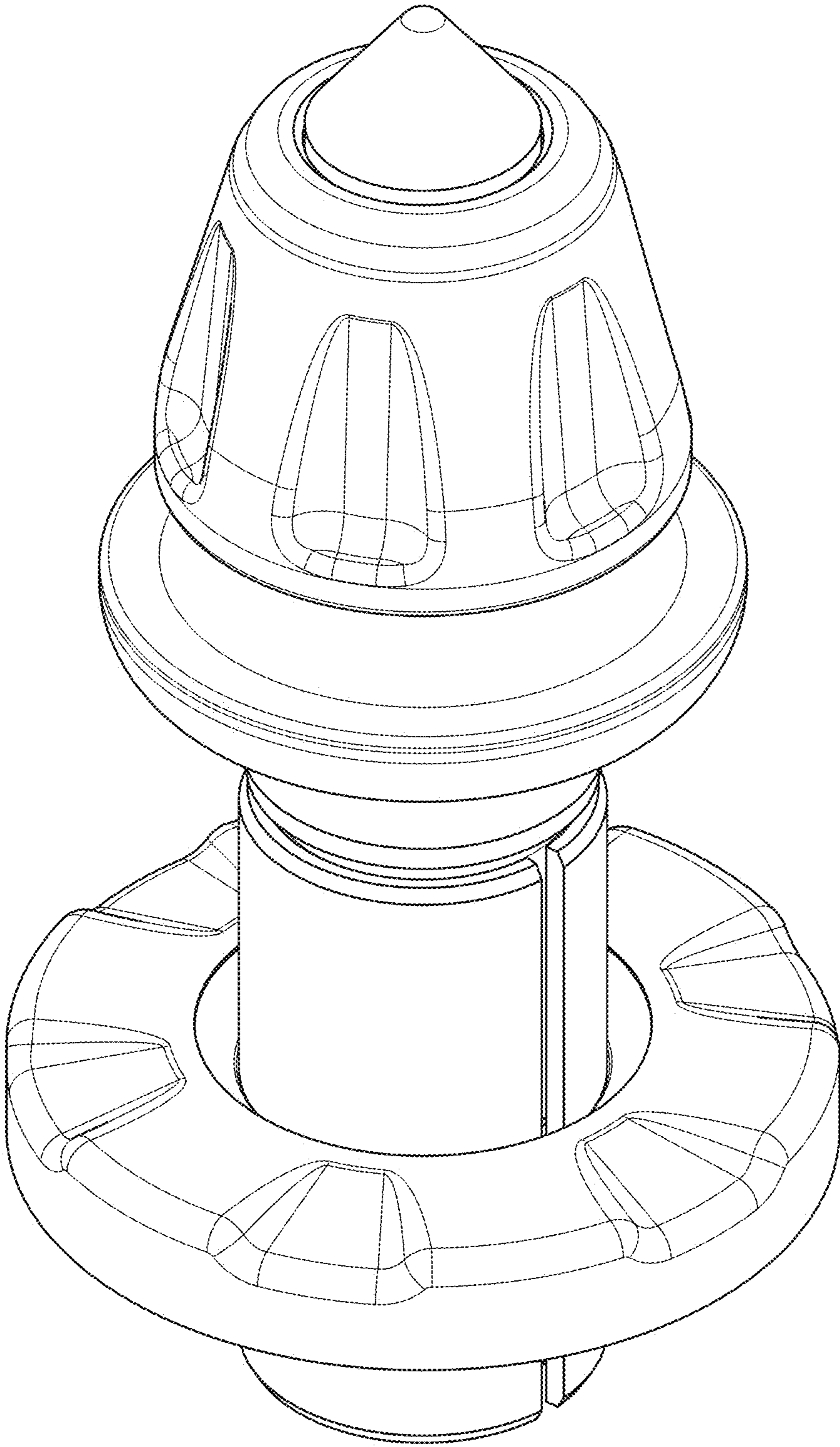


FIG. 7