



US00D927567S

(12) **United States Design Patent**
Friederichs

(10) **Patent No.:** **US D927,567 S**

(45) **Date of Patent:** **** Aug. 10, 2021**

(54) **MILLING TOOL**

(71) Applicant: **Betek GmbH & Co. KG**, Aichhalden (DE)

(72) Inventor: **Heiko Friederichs**, Aichhalden-Rötenberg (DE)

(73) Assignee: **Betek GmbH & Co. KG**

(**) Term: **15 Years**

(21) Appl. No.: **29/778,046**

(22) Filed: **Apr. 9, 2021**

Related U.S. Application Data

(62) Division of application No. 35/507,158, filed on Nov. 5, 2018 (U.S. filing date under 35 U.S.C. 384), and having an international filing date of Nov. 5, 2018, now Pat. No. Des. 918,973.

Foreign Application Priority Data

Aug. 1, 2018 (EM) 005519436

(51) **LOC (13) Cl.** **15-09**

(52) **U.S. Cl.**
USPC **D15/131**
CPC **E21C 35/18** (2013.01)

(58) **Field of Classification Search**
USPC D8/70-74; D15/131, 132, 138, 139, 140
CPC E21C 35/18; E21C 35/183; E21C 35/1826;
E21C 35/19; E28D 1/186
See application file for complete search history.

References Cited

U.S. PATENT DOCUMENTS

4,547,020 A 10/1985 Ojanen
4,818,027 A 4/1989 Simon
5,683,144 A 11/1997 Kammerer et al.

6,199,956 B1 3/2001 Kammerer
6,378,952 B1 4/2002 Moosmann et al.
6,428,111 B1 8/2002 Kammerer
6,431,656 B1 8/2002 Kammerer
6,508,516 B1 1/2003 Kammerer
6,592,304 B1 7/2003 Kammerer
6,619,757 B1 9/2003 Kammerer
6,644,755 B1 11/2003 Kammerer
D520,035 S 5/2006 Kammerer
D572,735 S 7/2008 Kammerer
7,490,912 B2 2/2009 Höll
D627,808 S 11/2010 Kammerer
D627,809 S 11/2010 Kammerer
D636,797 S 4/2011 Kammerer
7,922,256 B2 4/2011 Kammerer et al.
7,922,257 B2 4/2011 Kammerer
D637,213 S 5/2011 Kammerer
8,267,483 B2 9/2012 Kraemer et al.
8,550,569 B2 10/2013 Woehrstein et al.
9,074,472 B2 7/2015 Lehnert et al.
D742,948 S 11/2015 Kenno et al.

(Continued)

Primary Examiner — Richard E Chilcot

(74) *Attorney, Agent, or Firm* — Lucian Wayne Beavers; Patterson Intellectual Property Law, PC

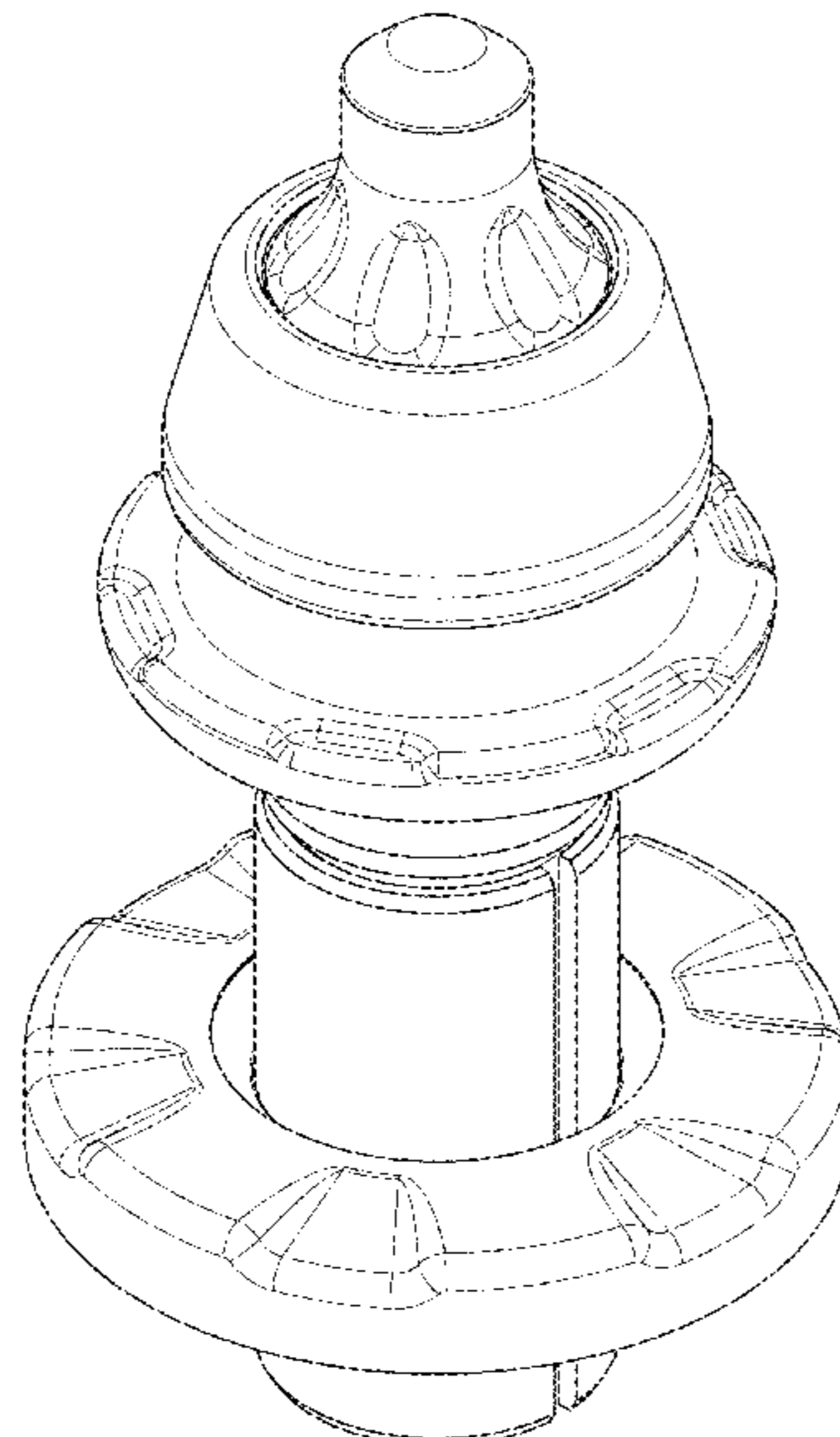
(57) **CLAIM**

What is claimed is the ornamental design for a milling tool, as shown and described.

DESCRIPTION

FIG. 1 bottom view of the milling tool.
FIG. 2 is right side elevation view of the milling tool of FIG. 1.
FIG. 3 is a front elevation view of the milling tool of FIG. 1.
FIG. 4 is a left side view of the milling tool of FIG. 1.
FIG. 5 is a rear elevation view of the milling tool of FIG. 1.
FIG. 6 is top view of the milling tool of FIG. 1; and,
FIG. 7 is left front perspective view of the milling tool of FIG. 1.

1 Claim, 7 Drawing Sheets



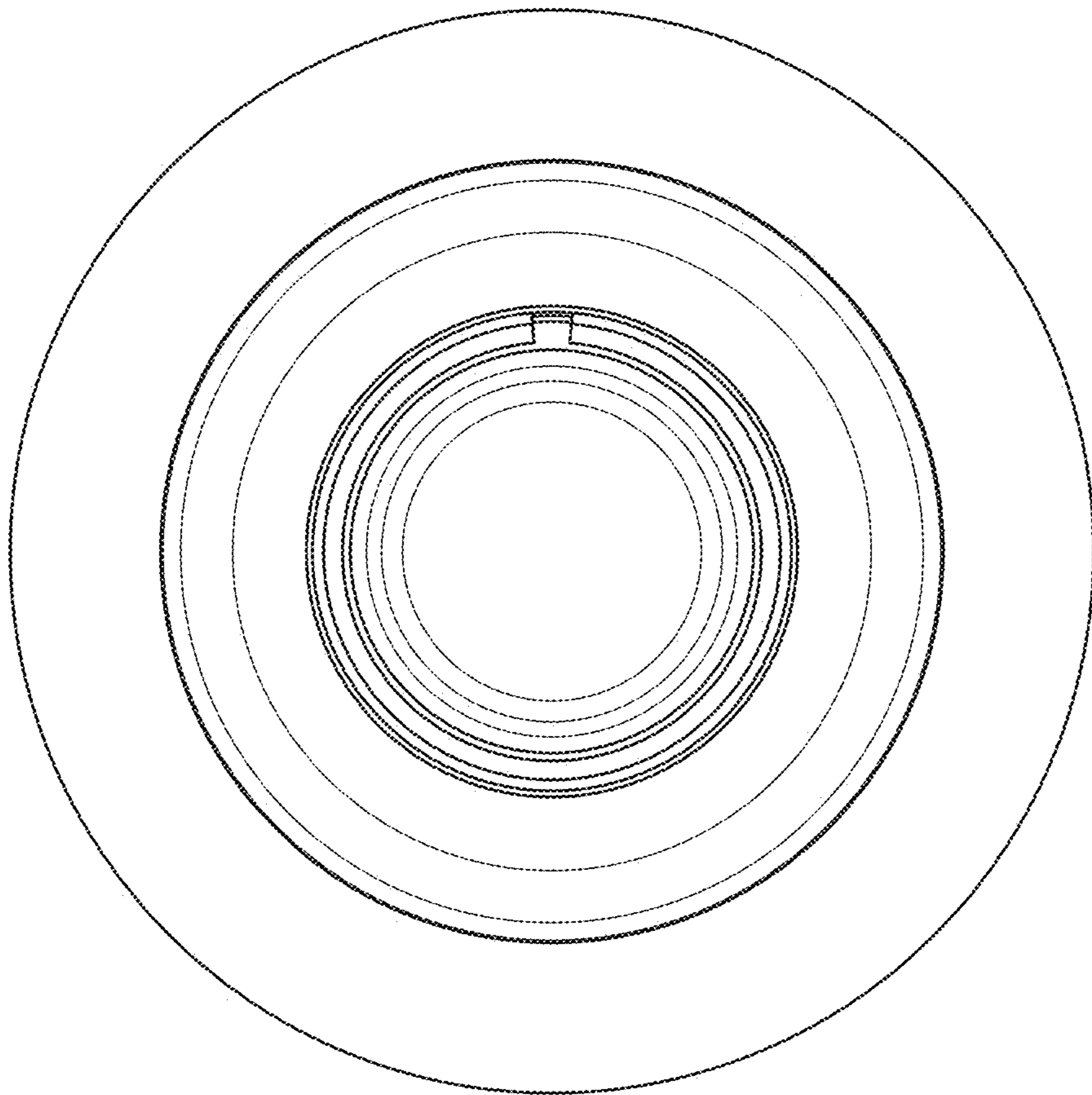


FIG. 1

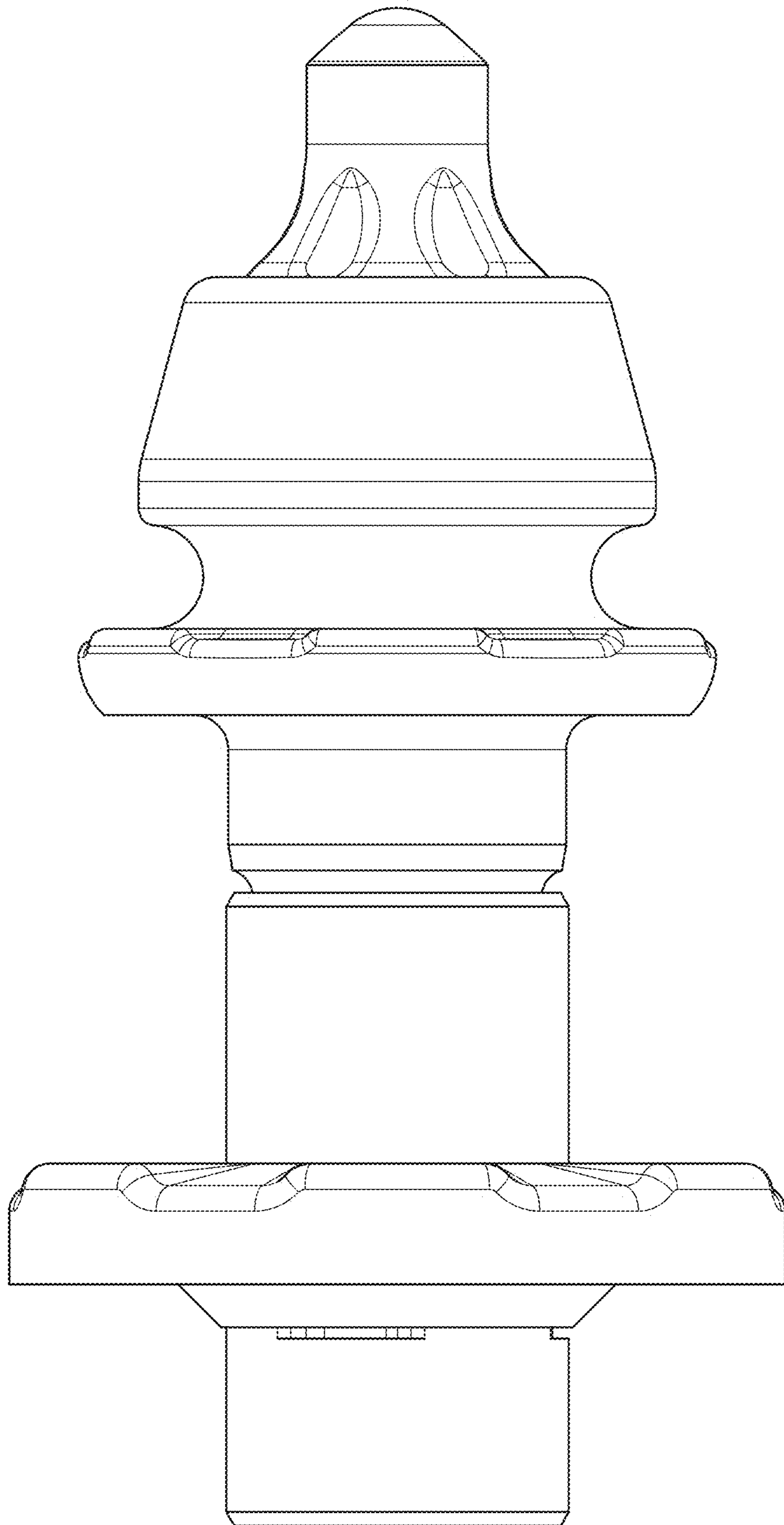


FIG. 2

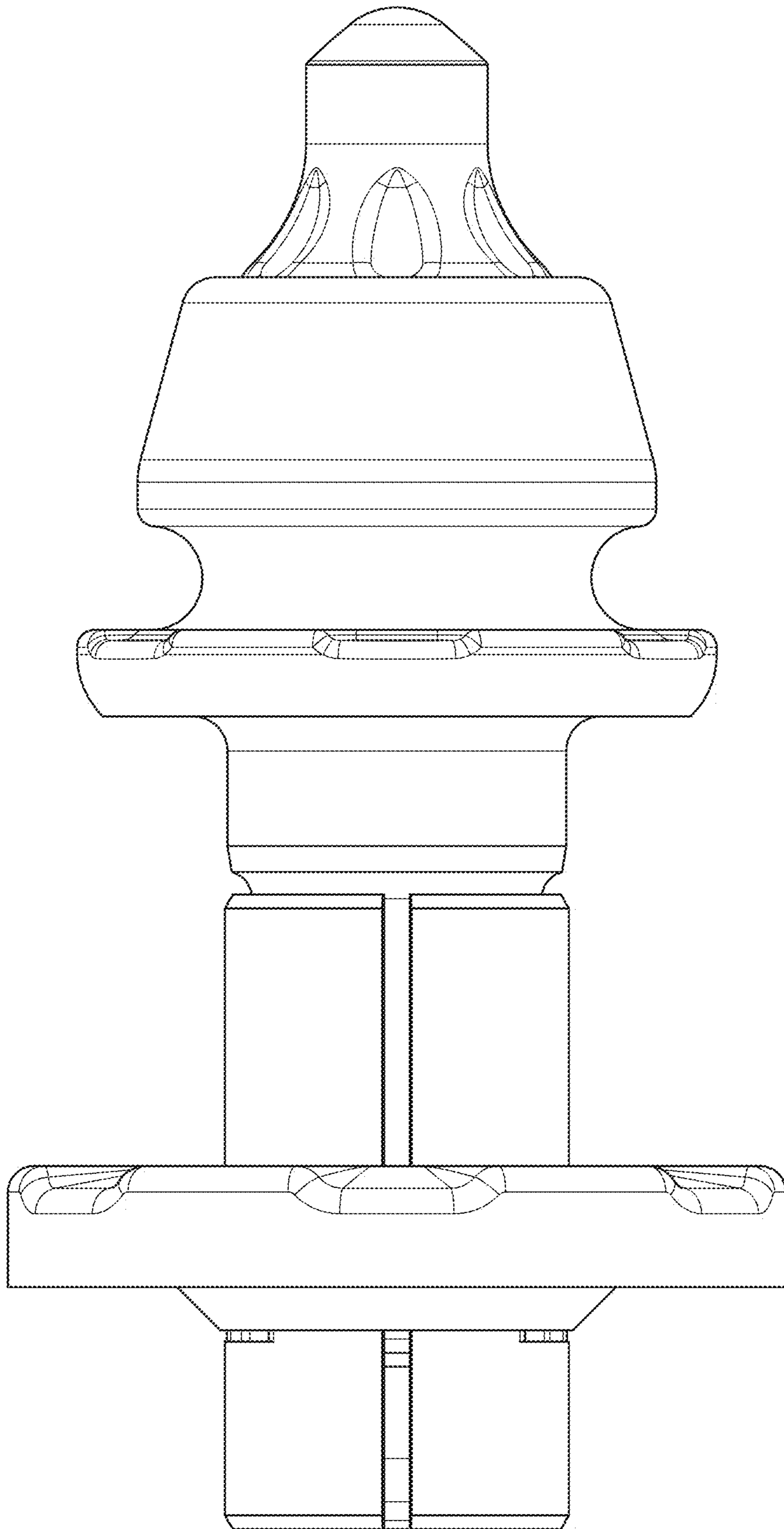


FIG. 3

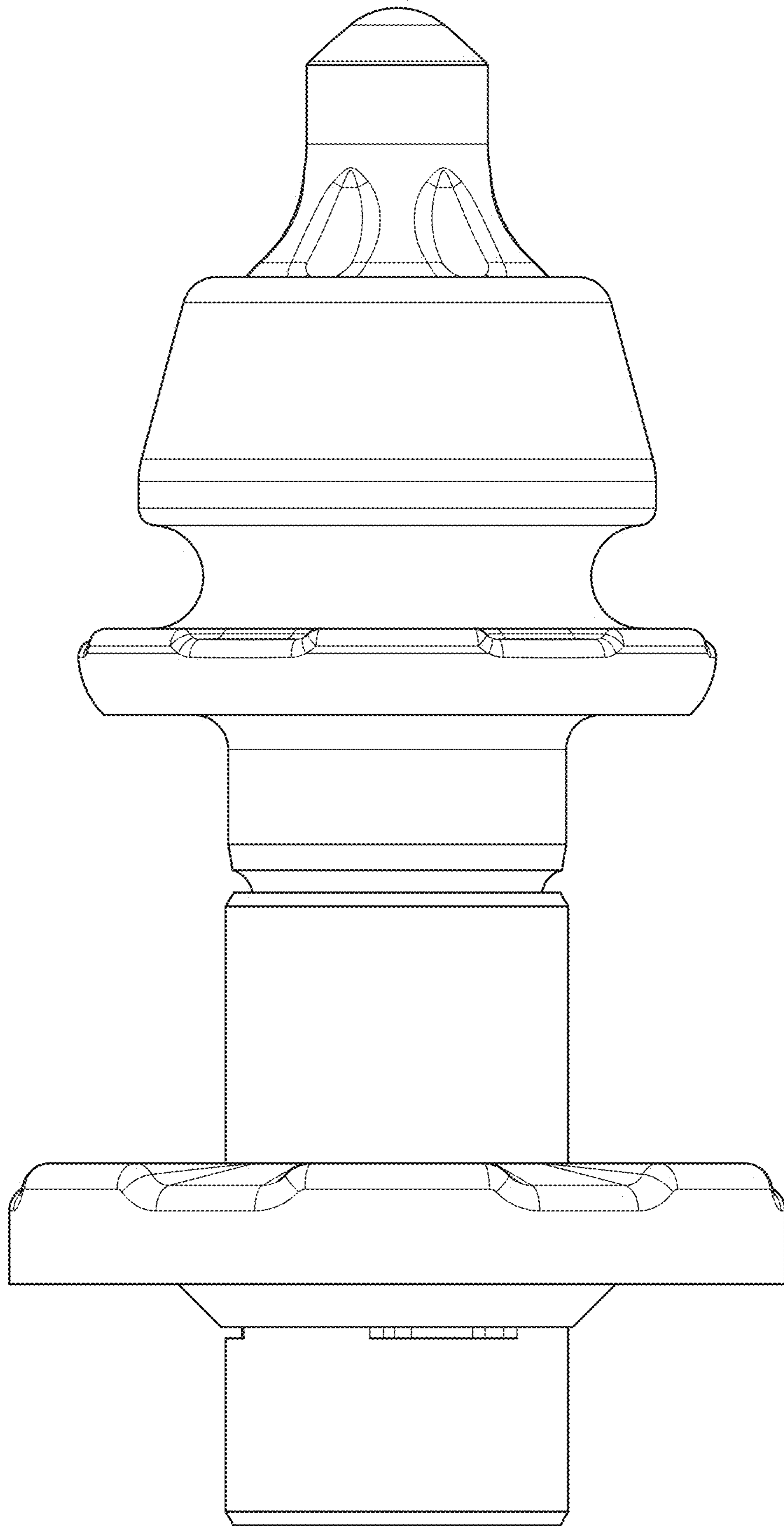


FIG. 4

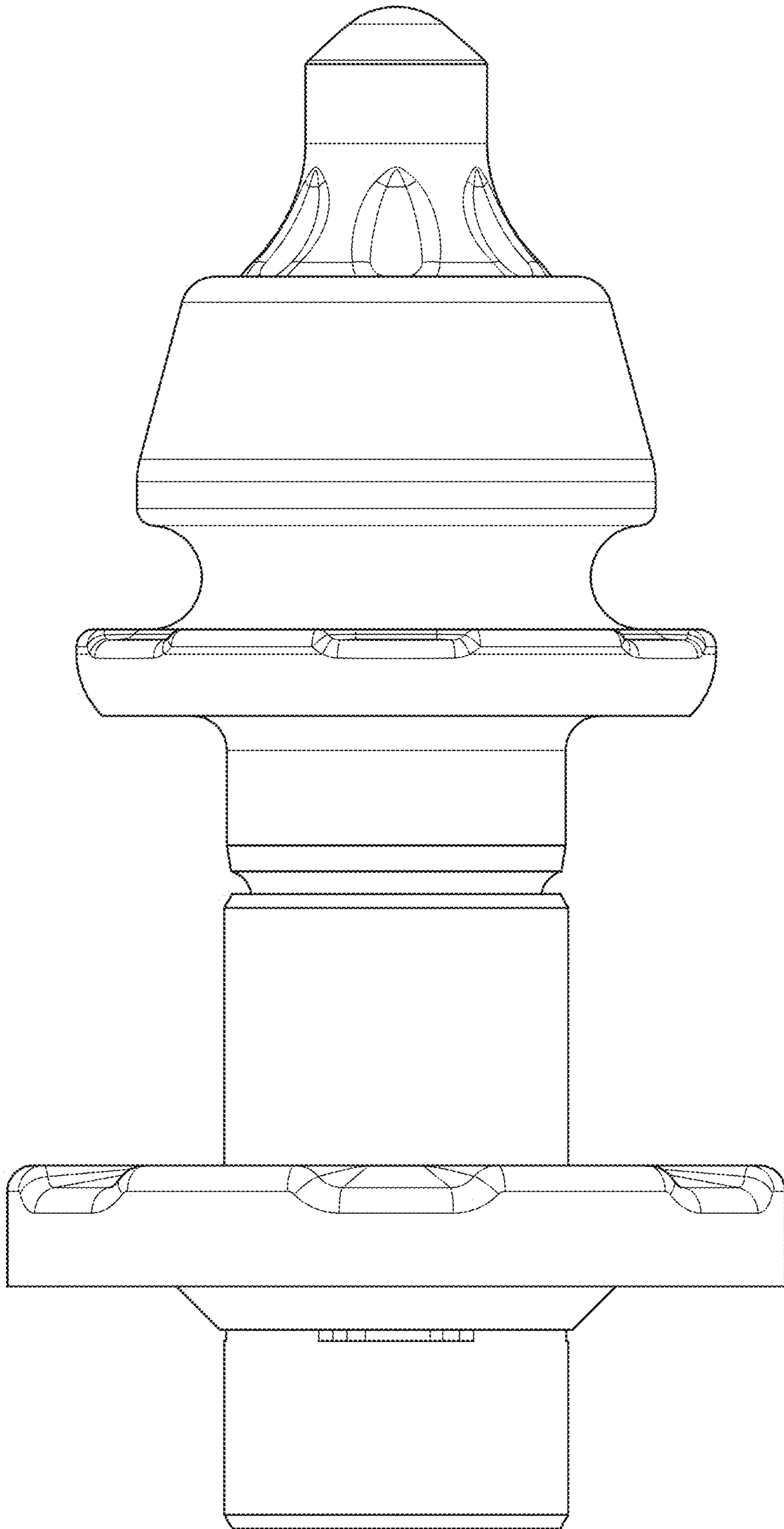


FIG. 5

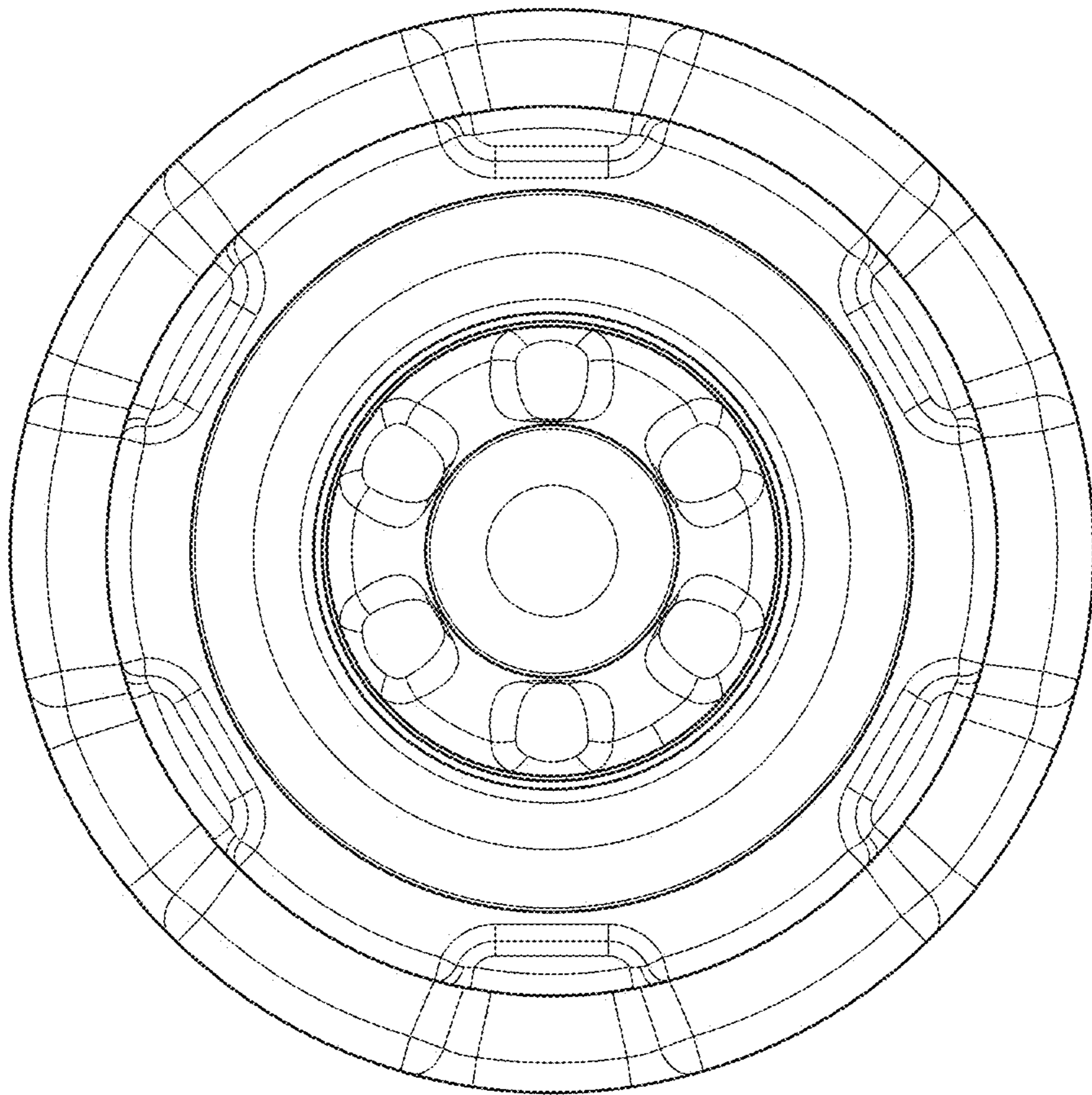


FIG. 6

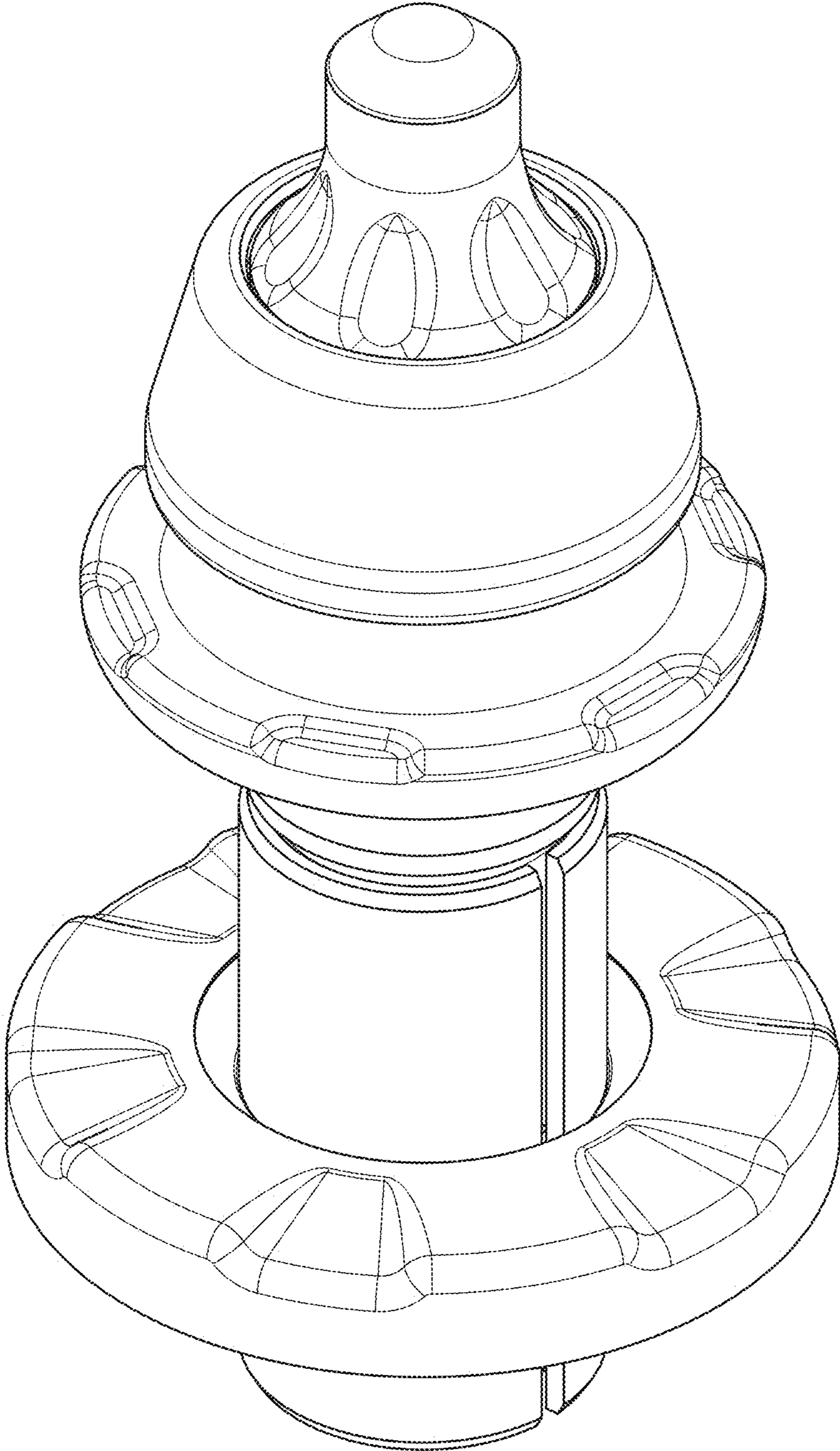


FIG. 7